

Winchester Electronics Introduces...

3325 Series Miniature BNC

Product Benefits:

- Mini BNC plugs are 20% smaller than standard BNC plugs. Excellent choice for high density applications requiring a miniaturized quick connect / disconnect BNC coupling mechanism
- True 75 Ohm - Compliant to SMPTE 424M (3G-SDI) Specification
- Reliable Crimp / Crimp cable termination using existing KTH-1000 and KTH-5000 Die Sets
- Durable screw machined bodies and components built to withstand rough handling in Telco and Broadcast applications



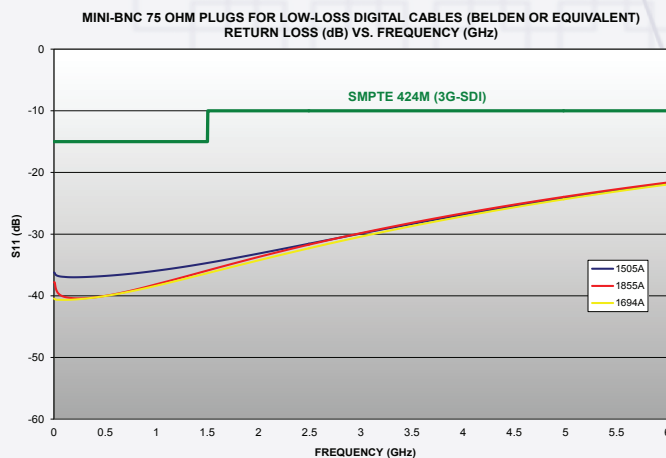
Plug Specifications

Electrical

| | |
|---------------------------------|---|
| <i>Impedance</i> | 75 Ohms |
| <i>Frequency Range</i> | DC to 6.0 GHz |
| <i>Voltage Rating</i> | 500 Volts RMS |
| <i>Return Loss (Mated Pair)</i> | Up to 1.5 GHz, < -20 dB Up to 3.0 GHz, < -15 dB Up to 6.0 GHz, < -10 dB |
| <i>Contact Resistance</i> | Center Contact .0014 Ohms Outer Contact .002 Ohms |
| <i>Insulation Resistance</i> | 5000 megohms |

Environmental

| | |
|-------------------------------|---|
| <i>Thermal Shock</i> | -65°C to +165°C |
| <i>Moisture Resistance</i> | 0 to 95%: MIL-STD-202 Method 106 |
| <i>Corrosion (Salt Spray)</i> | MIL-STD-202 Method 101 Test Condition B |
| <i>Flammability</i> | UL 94-VO Rated (Center Conductor Insulator) |
| <i>Vibration</i> | MIL-STD-202 Method 204 Test Condition B |
| <i>Solvent Resistance</i> | MIL-STD-202 Method 215 |



Mechanical

| | |
|----------------------------------|---|
| <i>Durability</i> | 500 Cycles Minimum |
| <i>Center Contact Retention</i> | 6 lbs. Minimum |
| <i>Coupling Mechanism</i> | 100 lbs. Minimum |
| <i>Force to Engage/Disengage</i> | Torque 2.5 in-lbs. Maximum; Longitudinal force 3.0 lbs. Max. |

Finishes

| | |
|--------------------------|-------------------------------|
| <i>Coupling Nut/Body</i> | .000100 Minimum Nickel |
| <i>Contact</i> | .000030 Min. Gold over Nickel |
| <i>Crimp Sleeve</i> | .000050 Minimum Nickel |

Plugs



| KINGS® Part Number | Cables | Crimp Tooling | | | Packaging |
|-----------------------|-------------------------------|-------------------------|-------------------------|----------------|-----------|
| | | Crimp Die (KTH-1000) | Crimp Die (KTH-5000) | Hex Size | |
| 3325-E00-07701N | 735A | KTH-2185 | | .041/.178 | Single |
| 3325-E00-C9001N | Belden 1694A Gepco VSD2001 | KTH-2325 | KTH-5017 | .046/.278 | Single |
| 3325-E00-C7101N | Belden 1505A Gepco VPM2000 | KTH-2261 | KTH-5003 | .041/.255 | Single |
| 3325-E00-C7201N | Belden 1855A Gepco VDM230 | KTH-2025 | KTH-5003 | .041/.178 | Single |
| 3325-E00-C7701N | Belden 179DT | KTH-2258 | | .041/.188/.128 | Single |
| 3325-E00-V3601N | Belden 1855ENH | KTH-2025 | | .041/.178 | Single |

Extraction Tool Available - Part #KTH-2345

Future Offerings In Development

Printed Circuit Board (PCB) Jacks

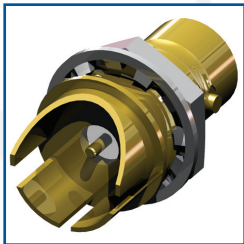


Figure 1

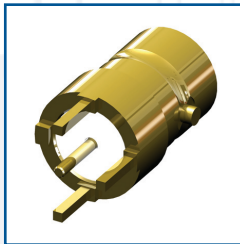


Figure 2

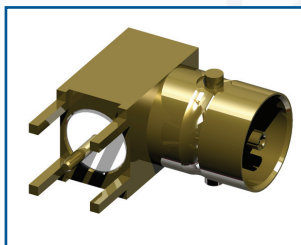


Figure 3

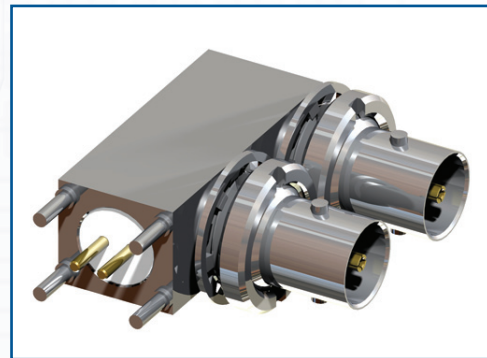


Figure 4

| KINGS® Part Number | Description | Figure |
|-----------------------|---------------------------------------|--------|
| 3327-099-00401G | Edgemount Bulkhead Jack | 1 |
| 3327-099-00402G | Vertical PCB Jack, 3 Ground Pin | 2 |
| 332B-060-00401G | Right-angle PCB Jack | 3 |
| 332B-099-00401N | Right-angle, Stacking 2-Pos. PCB Jack | 4 |

Connecting Innovation to Application®