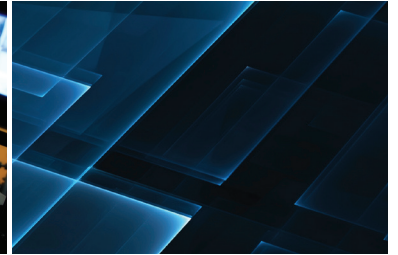


12 GHz 4K SMPTE Performance Broadcast Interconnect Solutions

A large, solid orange rectangular block containing the company logo and tagline. The logo features a stylized, curved graphic above the text "WINCHESTER ELECTRONICS". Below the logo, the tagline "CONNECTING INNOVATION TO APPLICATION®" is written in a smaller, sans-serif font.

WINCHESTER
ELECTRONICS

CONNECTING
INNOVATION
TO APPLICATION®



HDD BNC Series Connectors exceed SMPTE 424M-2006 (3G-SDI), optimized to achieve superior electrical performance for 6G-SDI and 12G-SDI single 4K coax channels.

HDD High Density BNC



The HDD BNC Series Connectors are miniaturized BNC connectors similar in size to DIN 1.0 / 2.3 connectors and feature a quick-connect/quick-disconnect interface.

Specifications

Electrical

Impedance: 75 Ohms
Frequency Range: DC – 12 GHz
Return Loss:
 -30 dB Max to 3 GHz
 -20 dB Max to 6 GHz
 -10 dB Max to 12 GHz

Dielectric Withstanding Voltage: 500 Volts
Contact Resistance: Center: 5 Meg Ohms
 Outer: 2.5 Meg Ohms
Insulation Resistance: 10,000 Meg Ohms

Installation / Removal Tool 107-1510

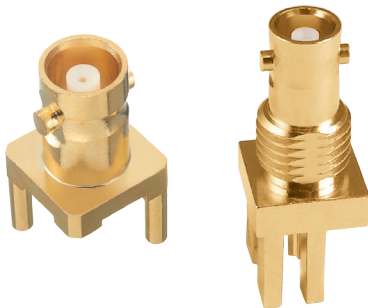


Material

Insulator Material: PTFE
Body Material: Brass
Body Finish: Nickel or Gold
Contact Material: Male – Brass
 Female – Beryllium Copper
Contact Finish: Gold
RoHS Compliant: Yes

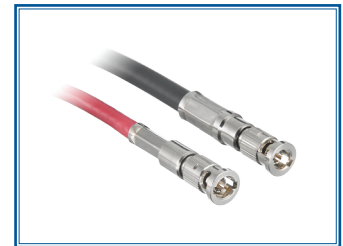
Mechanical

Mating: Bayonet Locking
Braid / Jacket: Hex Crimp
Center Contact: Solder / Crimp
Connector Durability: 500 Mating Cycles Min

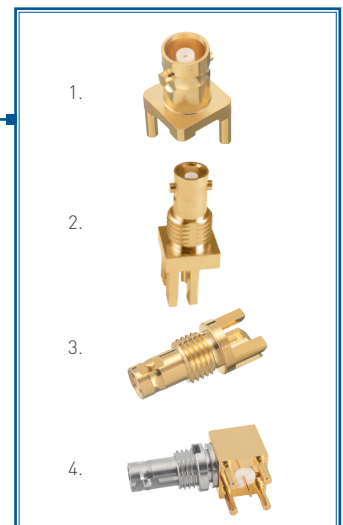


| Part Number | Description | Crimp Tool with Die | Hex Size |
|-------------|---------------------------------------|---------------------|-------------|
| HHD1505A | Straight Cable Plug, Belden 1505A | KTH-6001 or BDHD200 | .042 / .255 |
| HHD1855A | Straight Cable Plug, Belden 1855A | KTH-6001 or BDHD200 | .042 / .178 |
| HHD1694A | Straight Cable Plug, Belden 1694A | KTH-6001 or BDHD200 | .042 / .278 |
| HHD360IM | Straight Cable Plug, Argosy Image 360 | KTH-6001 or BDHD200 | .042 / .213 |

NOTE: Cable Plugs are available for all popular Broadcast Cables.



| Part Number | Description | Plating | Photo |
|-----------------|---|---------------|-----------|
| HHD361A714-TL | Vertical Jack - 3 Legs, .062" PCB | Gold | 1 |
| HHD361EHD704 | Edge Mount E-Snap® Jack, .062" PCB | Gold | 2 |
| HHD361HDE704 | Edge Mount Jack, .062" PCB | Gold | 3 |
| HHD364HDE704 | Right-Angle Bulkhead Jack, .062" PCB | Nickel / Gold | 4 |
| HHDBNCP-NP | HD BNC Plug to N Plug Adapter | Nickel / Gold | Not Shown |
| HHDBNCJ-NP | HD BNC Jack to N Plug Adapter | Nickel / Gold | Not Shown |
| HHDBNCJ-BNCJ-IG | HD BNC Jack to BNC Bulkhead Isolated Ground | Nickel / Gold | Not Shown |



DIN 1.0/2.3 Series Connectors exceed SMPTE 424M-2006 (3G-SDI), optimized to achieve superior electrical performance for 6G-SDI and 12G-SDI single 4K coax channels.

0345 Series DIN 1.0/2.3



The 0345 Series DIN 1.0/2.3 Cable Plugs and Jacks feature a self-locking push/pull interface that provides an audible snap and solid tactile engagement when mated.

Specifications

Electrical

Impedance: 75 Ohms
Frequency Range: DC – 12 GHz
Return Loss:
 -30 dB Max to 3 GHz
 -25 dB Max to 6 GHz
 -20 dB Max to 12 GHz

Material

Body: Brass
Center Contacts: Beryllium Copper
Insulators: PTFE
Ferrule: Bronze

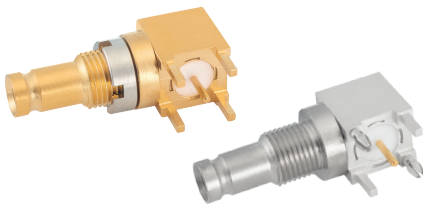
Mechanical

Durability: 500 Cycles Minimum
Mating: Push/Pull, Slide-on

Finishes

Body: Nickel over Copper
Outer/Center Contacts: Gold over Nickel
Ferrule: Nickel over Copper

This series complies with CECC 22230 specifications.

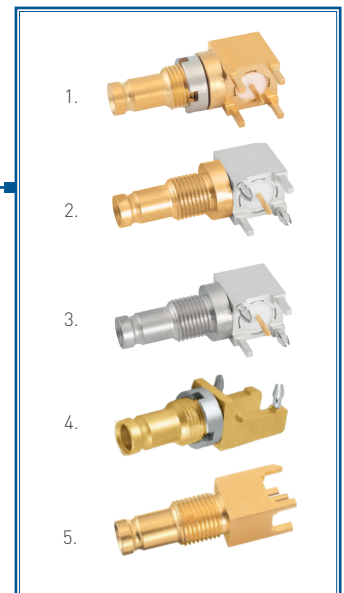


| Part Number | Description | Crimp Die (KTH-1000) | Hex Size |
|-----------------|---|----------------------|-------------|
| 0345-E00-C7101N | Straight Cable Plug, Belden 1505A | KTH-2261 | .042 / .255 |
| 0345-E00-C7201N | Straight Cable Plug, Belden 1855A Mono Crimp | KTH-2025 | .178 |
| 0345-E00-C7202N | Straight Cable Plug, Belden 1855A / Gepco VDM230 | KTH-2025 | .042 / .178 |
| 0345-E00-C7701N | Straight Cable Plug, Belden 179DT / RG179 | KTH-2021 | .042 / .128 |
| 0345-E00-C9001N | Straight Cable Plug, Belden 1694 / Gepco VSD2001 | KTH-2325 | .046 / .278 |
| 0345-E00-V3601N | Straight Cable Plug, Belden 1855 ENH / Argosy Image 360 | KTH-2113 | .042 / .213 |
| 0345-E00-C7204N | Straight Cable Plug (Non-Locking), Belden 1855A Cable | KTH-2025 | .042 / .178 |

NOTE: Cable Plugs are available for all popular Broadcast Cables.



| Part Number | Description | Plating | Photo |
|------------------|---|---------------|-------|
| 034B-060-00401H | PCB Jack, Right-Angle | Gold | 1 |
| 034B-060-00402H | PCB Jack, Right-Angle, Board-Lock, Closed-Entry | Gold / Tin | 2 |
| 034B-060-00402TK | PCB Jack, Right-Angle, Board-Lock, Closed-Entry | Nickel / Tin | 3 |
| 0347-086-00402H | PCB Jack, Edge Mount, Board-Lock, Closed-Entry | Gold | 4 |
| 0347-086-00402N | PCB Jack, Edge Mount, Board-Lock, Closed-Entry | Nickel / Gold | 4 |
| 0347-060-00401H | DIN Straight PCB, .090 Solder Tail | Gold | 5 |
| 0347-060-00402H | DIN Straight PCB, .155 Solder Tail | Gold | 5 |



BNC 2065 Series Connectors exceed SMPTE 424M-2006 (3G-SDI), optimized to achieve superior electrical performance for 6G-SDI and 12G-SDI single 4K coax channels.

2065 Series BNC



The 2065 Series 75 Ohm BNC Cable Plug Connectors are quick-connect/quick-disconnect connectors that are easy to mate and un-mate with only a quarter turn of the coupling nut.

Specifications

Electrical

Impedance: 75 Ohms
Frequency Range: DC – 12 GHz
Return Loss:
 -30 dB Max to 3 GHz
 -20 dB Max to 6 GHz
 -10 dB Max to 12 GHz

Working Voltage: 500 VRMS at Sea Level

Dielectric

Withstanding Voltage: 1500 VRMS at Sea Level
Contact Resistance: Center Contact: \leq 3 Milliohms
Insulation Resistance: 5000 Meg Ohms Min

Environmental

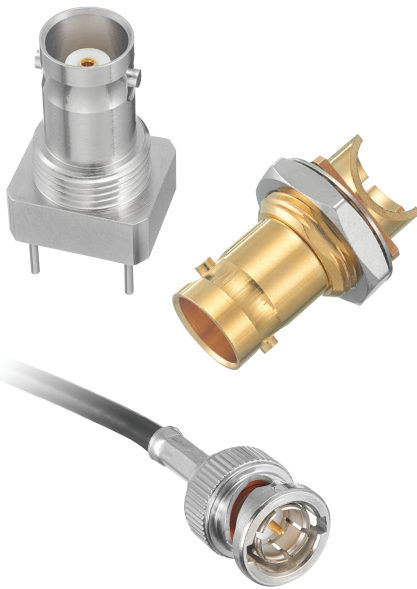
Temperature Range: - 40° C to + 65° C

Material

Body: Brass / Nickel Plated
Female Contact: Phosphor Bronze / BECU Gold
Male Contact: Brass / Gold Plated
Crimp Ferrule: Copper or Brass Nickel Plated
Insulator: PTFE

Mechanical

Coupling Nut Retention: 101 lbs.
Center Contact Retention: 6 lbs.
Engagement Force: 5 lbs.
Disengagement Force: 1.5 lbs.
Durability (Mating): 500 Cycles Min



| Part Number | Description | Crimp Tool | Hex Sizes |
|---------------|-----------------------------------|------------|-------------|
| 2065-2-9 | Straight Cable Plug, Belden 1505A | KTH-6001 | .042 / .255 |
| 2065-2-9 M66 | Straight Cable Plug, Belden 1505A | KTH-6001 | .042 / .255 |
| 2065-10-9 | Straight Cable Plug, Belden 1694A | KTH-6001 | .046 / .278 |
| 2065-10-9 M66 | Straight Cable Plug, Belden 1694A | KTH-6001 | .046 / .278 |
| 2065-11-9 | Straight Cable Plug, Belden 1855A | KTH-6001 | .042 / .178 |
| 2065-11-9 M66 | Straight Cable Plug, Belden 1855A | KTH-6001 | .042 / .178 |

NOTE: Cable Plugs are available for all popular Broadcast Cables.

Winchester's HDD High Density BNC, 0345 Series DIN 1.0/2.3 and 2065 Series 75 Ohm BNC Specialty Broadcast Cable Plug Connectors can be used in a wide range of applications including Broadcast, Telecommunications, Test and Measurement, Security, and Medical.

Contact Information

Winchester Electronics
 199 Park Road Extension - Suite 104
 Middlebury, Connecticut 06762
 203.741.5400 Phone
 203.741.5500 Fax

Follow us:   



W-CT-001 Rev 042415