

C-Press® Series 78/79 Header Connectors are MIL-C-83503 compatible.

They offer compliant contacts for easier and more economical assembly in a solderless connection to the printed circuit board.

The flexibility of three and four-sided header construction backed by 360° polarization protection, assures long term performance and dependability. Polarization is achieved by

a combination of a single center slot and two optional polarizing key locations in the header.

Ejector latches make it easy to remove the socket without stressing the P.C. board. In addition, the latch design features a unique snap-in-slot mechanism that assures positive mechanical locking action. Ejector latches are offered in three lengths for sockets - with or without strain relief.

SPECIFICATIONS

INSULATORS

Material: Polyester thermoplastic glass reinforced, UL rated 94 V-O

Color: Natural

Insulation Resistance: 5,000 Megohms (min.)

Operating Temperature: -55°C to +105°C

CONTACTS

Material: Copper Alloy 725
Plating: See Plating Chart

Current Rating: 1 amp at 70°C.
3 amps at 20°C.

Contact Resistance: 8 Milliohms (max.)

Insertion Force
(Compliant Area): 40 lbs. or less, individual pin

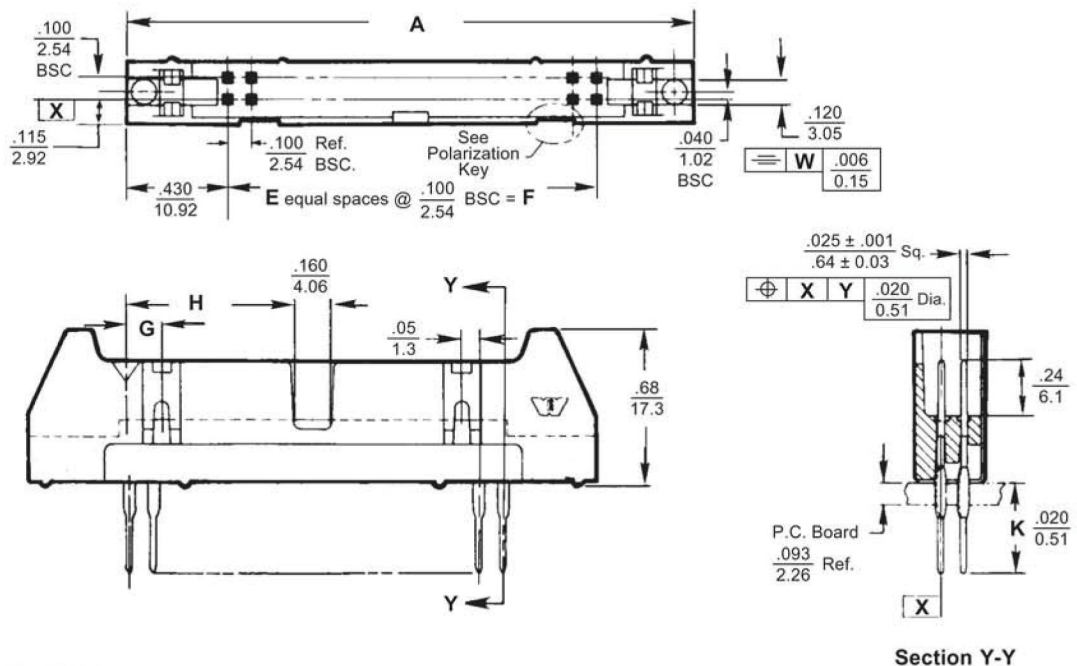
Retention Force
(Compliant Area): 10 lbs. minimum, individual pin

CSA Certified File No.  LR34182

Recognized under the Component Program of Underwriters Laboratories Inc. File No. E136181, to Standard UL 1863 

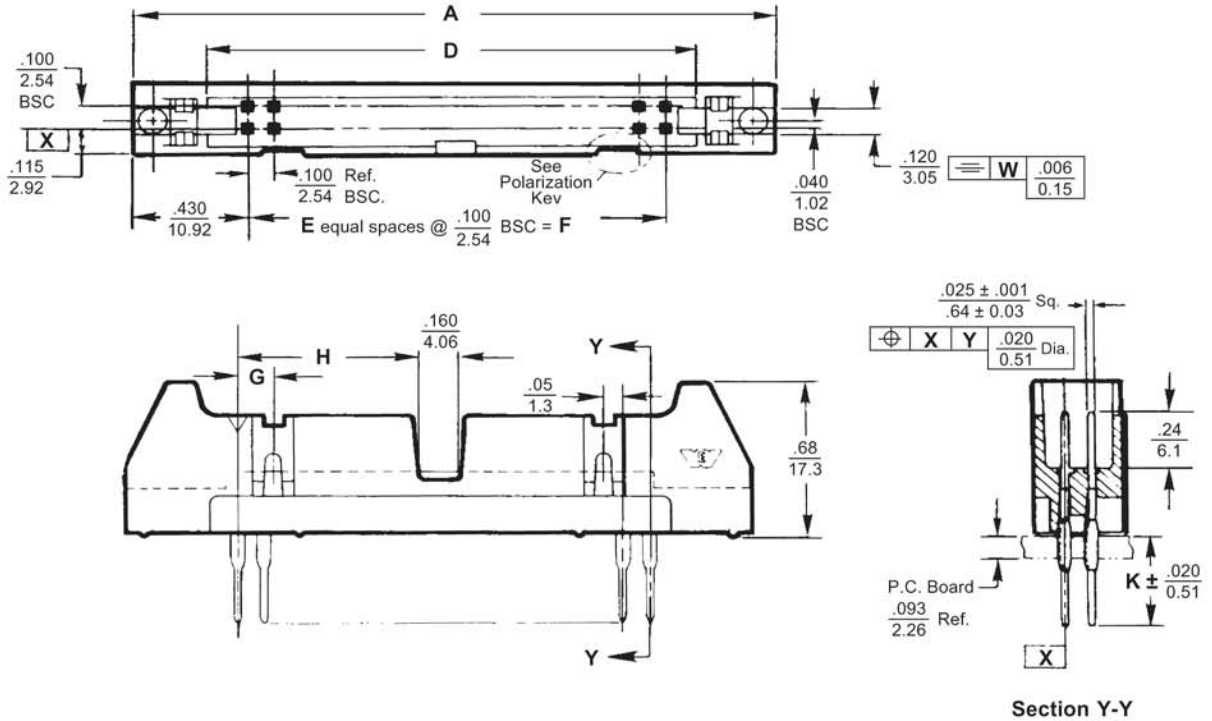
OUTLINE

Three-Sided Header 78 Series



OUTLINE

Four-Sided Header
79 Series



DIMENSIONS

Catalog No.	A	B	D	E	F	G	H
78/79-10	1.26 (32.0)	1.10 (27.9)	.705 (17.91)	4	.400 (10.16)	NOT AVAILABLE	NOT AVAILABLE
78/79-14	1.46 (37.1)	1.30 (33.0)	.905 (22.99)	6	.600 (15.24)	NOT AVAILABLE	.22 (5.6)
78/79-16	1.56 (39.6)	1.40 (35.6)	1.005 (25.53)	7	.700 (17.78)	.15 (3.8)	.27 (6.9)
78/79-20	1.76 (44.7)	1.60 (40.6)	1.205 (30.61)	9	.900 (22.86)	.15 (3.8)	.37 (9.4)
78/79-26	2.06 (52.3)	1.90 (48.3)	1.505 (38.23)	12	1.200 (30.48)	.15 (3.8)	.52 (13.2)
78/79-34	2.46 (62.5)	2.30 (58.4)	1.905 (48.39)	16	1.600 (40.64)	.15 (3.8)	.72 (18.3)
78/79-40	2.76 (70.1)	2.60 (66.0)	2.205 (56.01)	19	1.900 (48.26)	.15 (3.8)	.87 (22.1)
78/79-50	3.26 (82.8)	3.10 (78.7)	2.705 (68.71)	24	2.400 (60.96)	.15 (3.8)	1.12 (28.4)
78/79-60	3.76 (95.5)	3.60 (91.4)	3.205 (81.41)	29	2.900 (73.66)	.15 (3.8)	1.37 (34.8)
78/79-64	3.96 (100.6)	3.80 (96.52)	3.405 (86.49)	31	3.100 (78.74)	.15 (3.8)	1.47 (37.34)

