

- Balancers
- Torque Arms
- Workstations

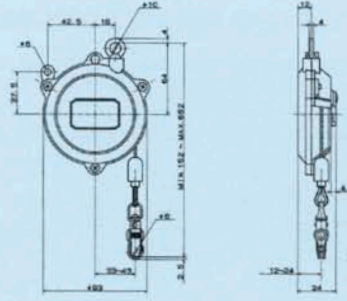


# WORK WIZARD

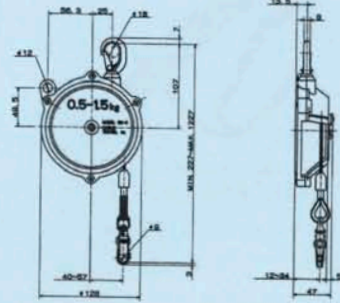
[WWW.WORK-WIZARD.COM](http://WWW.WORK-WIZARD.COM)

# WORK WIZARD BALANCERS

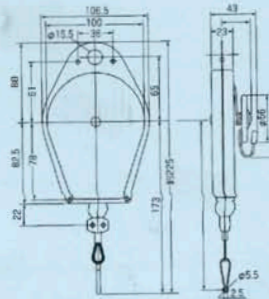
SW-00



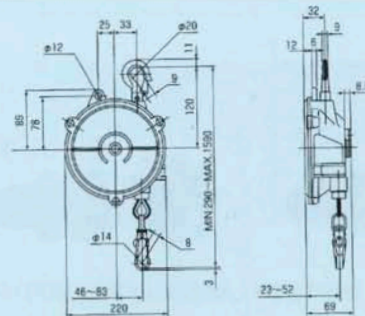
SW-0



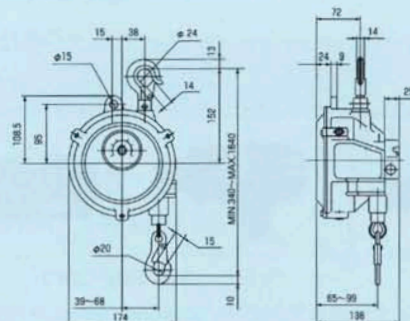
SW-1



SW-3, 5



SW-9,15

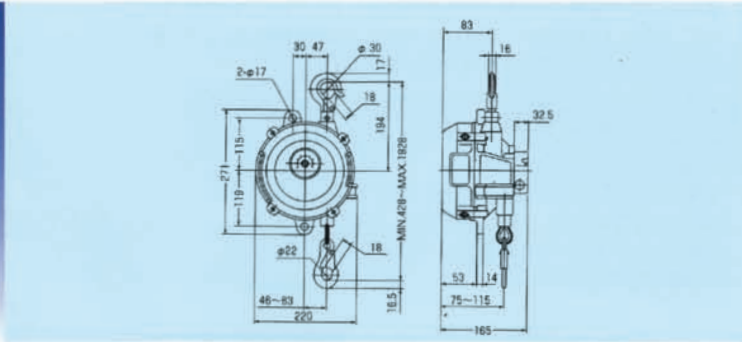


BALANCERS

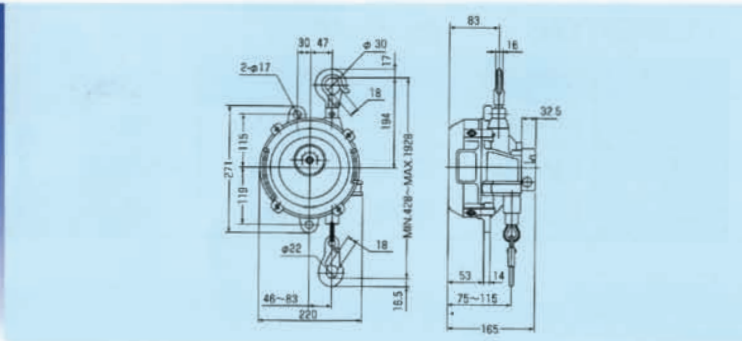
# WORK WIZARD BALANCERS

# BALANCERS

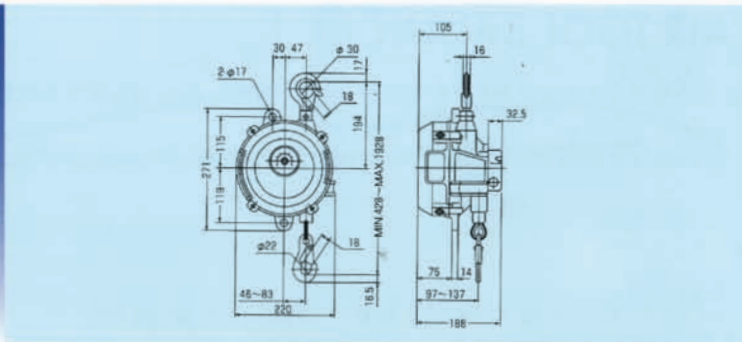
SW-22,30



SW-40,50



SW-60,70



**TB12**  
Tool Balancer  
1-2 LB Capacity  
6.6 foot cable travel

**TB24**  
Tool Balancer  
2-4 LB Capacity  
6.6 foot cable travel

## SPECIFICATIONS

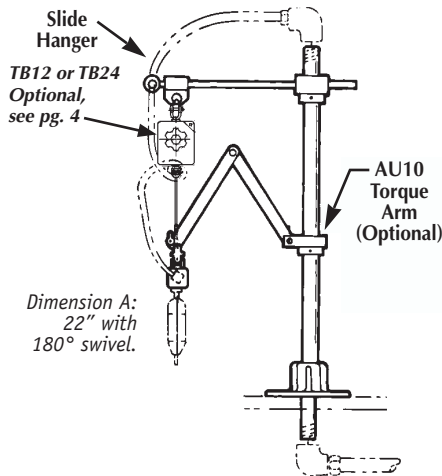
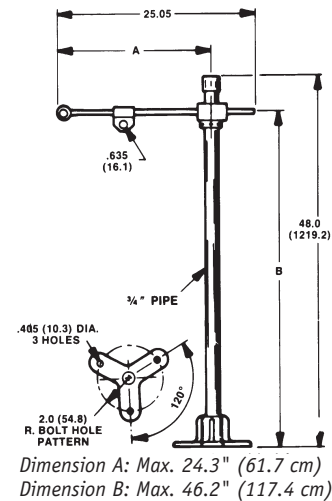
Kilogram Conversion:  
Multiply Kg x 2.2046 to = Lbs.

MODEL	CAPACITY	STROKE	MASS
SW-00	0.5 ~ 1.5kg	0.5M	0.2kg
SW-0	0.5 ~ 1.5kg	1.0M	0.5kg
SW-1	0.5 ~ 1.5kg	1.2M	0.5kg
SW-3	1.0 ~ 3.0kg	1.65M	1.5kg
SW-5	2.5 ~ 5.0kg	1.65M	1.6kg
SW-9	4.5 ~ 9.0kg	1.3M	3.7kg
SW-15	9.0 ~ 15.0kg	1.3M	3.8kg
SW-22	15.0 ~ 22.0kg	1.5M	7.7kg
SW-30	22.0 ~ 30.0kg	1.5M	8.0kg
SW-40	30.0 ~ 40.0kg	1.5M	9.8kg
SW-50	40.0 ~ 50.0kg	1.5M	10.4kg
SW-60	50.0 ~ 60.0kg	1.5M	11.0 kg
SW-70	60.0 ~ 70.0kg	1.5M	11.5kg

<b>BJ 10</b>	0 - 10 lb.
0 - 4.5 Kg	<b>WORKSTATION</b>



- Durable, long-lasting steel
- Ideal for a wide range of light-duty jobs
- Adjustable height to 46 inches (35.6 cm)
- Add a second arm with kit BJ68
- Slide hanger for horizontal motion
- Air line manifold
- Generous working area reaches to 24.3 inches (61.7 cm)
- 360° rotation for full mobility; fixed position also available



### Optional User-Modified Mounting

The BJ Workstation can be modified by the user to accommodate air supply from below the bench for pneumatic tools.

The Upright Column, a 3/4" pipe, can be threaded for attachment of air hoses at both ends, such that the pipe itself becomes the air supply.

An optional AU10 torque arm (see p. 23) absorbs start-up reaction of tool, mounts on BJ10 and operates to within 6 inches of and up to 28 inches away from vertical column.

Note: 16 oz. (0.5 kg) is required to balance the AU10 arm alone.

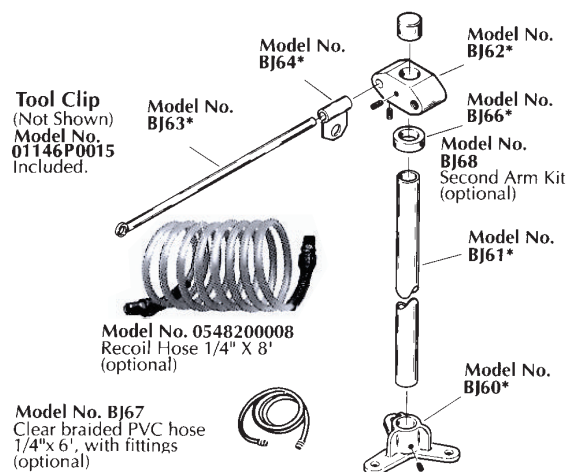
### Slide Hanger

Tool Balancer and suspended tool can be attached to the slide hanger (for horizontal motion) or to the eye at the end of the jib (for stationary applications).

<b>BJ SERIES</b>	0 - 10 lb.
0 - 4.5 Kg	<b>COMPONENTS</b>

Model	Description
BJ60	Mounting Base only
BJ61	Vertical Column with Cap only
BJ62	Jib Clamp (hose manifold) only
BJ63	Adjustable Jib only
BJ64	Slide Hanger only
BJ66	Collar only
548200008	Recoil Hose 1/4" x 8'
BJ67	Clear Braided PVC Hose 1/4" x 6'
BJ68*	Second Arm Kit
AU10	Torque Arm

\*BJ68 Second Arm Kit includes BJ62 Jib Clamp, BJ63 Adjustable Jib, BJ64 Slide Hanger, and BJ66 Collar.

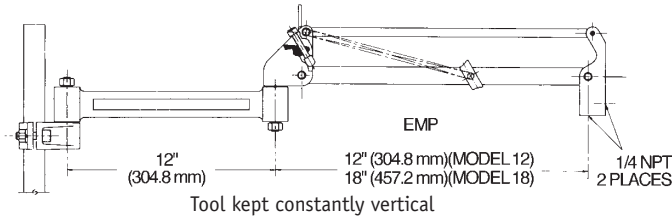
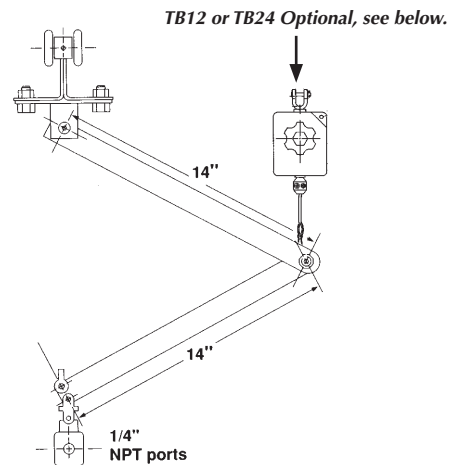
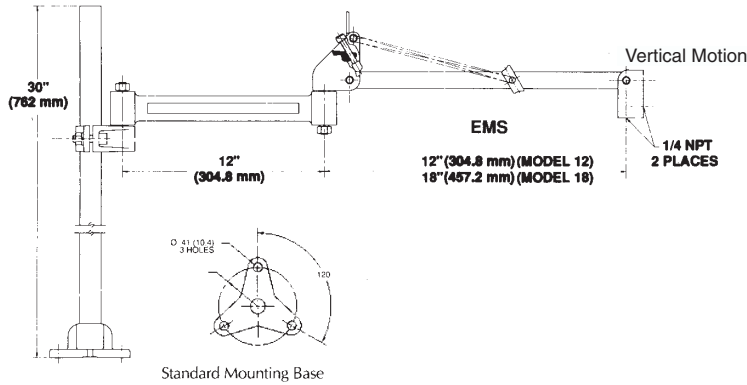


\*Included in BJ10 Workstation package



## AU10, EMS & EMP SERIES TORQUE ARMS FOR LIGHT DUTY

- Easy to install, with lightweight aluminum construction
- Tool location is maintained by a specially designed bearing
- Pneumatic tool holder included – see below for additional tool holder options
- Available as a single arm (EMS) or parallel arm (EMP) design
- Reduces employee injury by absorbing torque transmission, eliminating repetitive strain on hands, wrists and arms
- Versatile mounting choices, including bench top, bench and wall, or column mounting
- Economical, sturdy design, few moving parts and heavy-duty long-life springs for reduced maintenance expense



Model	Max. Weight		Max. Arc		Torque Capacity ft lbs.
	lbs.	Kg	in.	mm	
EMS 12 / EMP 12	5	2.3	24	610	20
EMS 18 / EMP 18	5	2.3	30	762	20
AU10TM	10	4.5	n/a	n/a	10

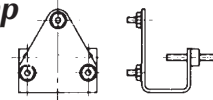
## TORQUE ARM ACCESSORIES



**TB12**  
Tool Balancer  
1-2 LB Capacity  
6.6 foot cable travel

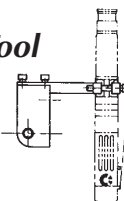
**TB24**  
Tool Balancer  
2-4 LB Capacity  
6.6 foot cable travel

**Bench Clamp**  
Model no. BC1

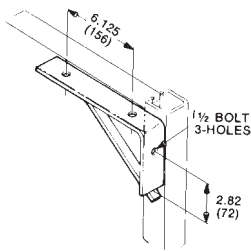


**Electric Tool Holder**

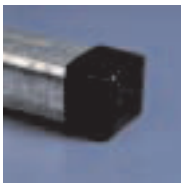
Model No. EM1  
1 3/4" - 1 7/8"  
Dia. Tool



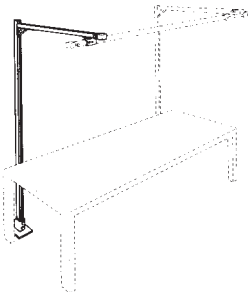
**SERIES 5200 & SERIES 5400**  
**WORKSTATION COMPONENTS**



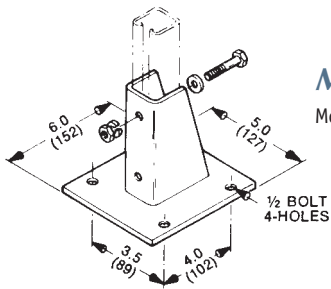
**Angle Bracket**  
 Model No. 5400AB



**End Cap**  
 Model No. 5400EC  
 5200EC



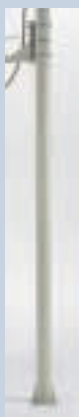
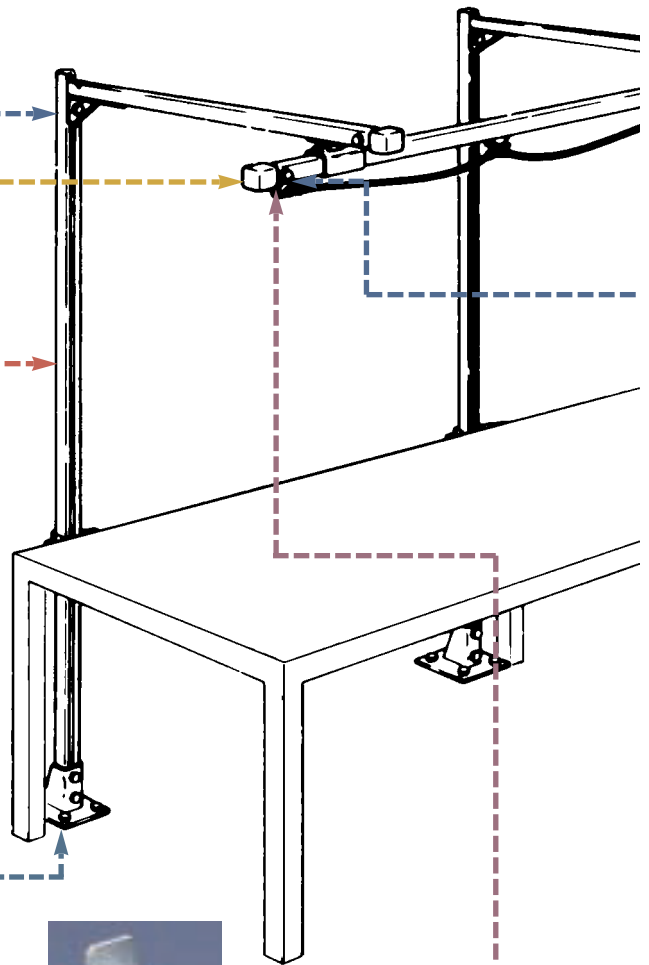
**Floor-Mounted Runway Extension**  
 Model No. 0544100069  
 Includes all necessary hardware; just add track to extend the system.



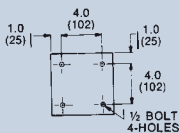
**Mounting Plate**  
 Model No. 5400MP  
 (For wall or floor mounting)



**End Stop**  
 Model No. 5400ES  
 5200ES

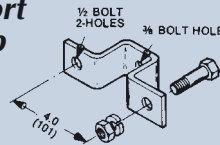


**Vertical Support Column**  
 Model No. 0545400009



**Support Clamp**

Model No. 5400SC

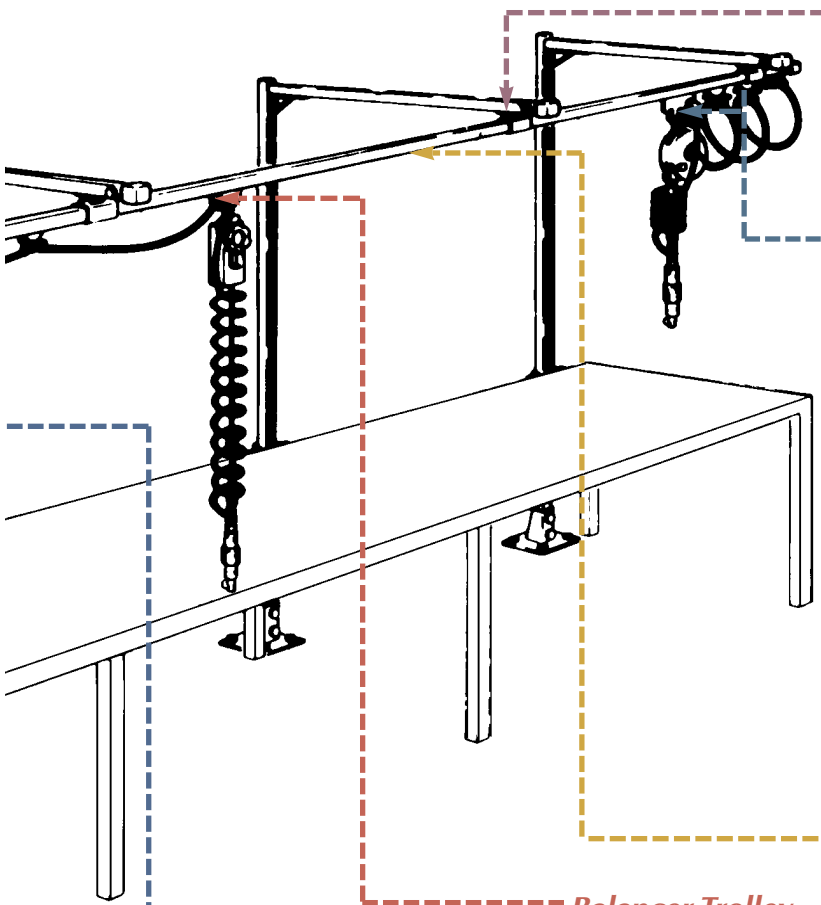


**U-Bolt Assembly**

Model No. 5400UB

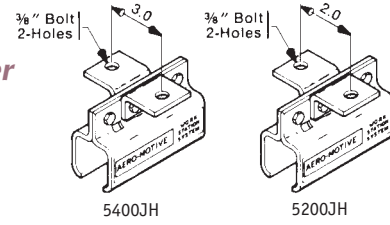


**Track Nut**  
 Model No. 5400TN



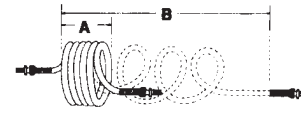
**Joint Hanger Bracket**

Model No. 5400JH  
5200JH



**Intermediate Car**

Model No. 0542100012  
(0.49" - 0.90" O.D.)  
Model No. 0543100012  
(0.91" - 1.25" O.D.)  
Model No. 5221-1  
(0.49" - 0.91" O.D.)  
Model No. 5231-1  
(0.91" - 1.25" O.D.)



**RECOIL HOSE**

Model	Size	A	B
0548200008	1/4"	6"	8'
0548200012	1/4"	8"	12'
0548300008	3/8"	6"	8'
0548300012	3/8"	8"	12'

Male swivel pipe fittings, both ends

**Track**

Model No. 54006: 6 ft. (1.5m)  
54009: 9 ft.  
Model No. 52006: 6 ft. (1.5m)  
520012: 12 ft.



**Horizontal Support Track**

Model No. 0545300003: 3 ft. (.9m)

**Vertical Support Track**

Model No. 0545300009: 9 ft. (2.7m)

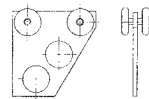
5200 - max. 30lb. capacity  
5400 - max. 50lb. capacity

**Balancer Trolley**

Model No. 0541100012  
0521100012



0541100012



0521100012

**End Clamp**

Model No. 54212, 52212  
(0.49" - 0.90" O.D.)  
Model No. 54312, 52312  
(0.91" - 1.25" O.D.)



**Balancer Trolley Hose Connector**

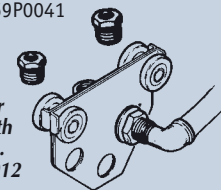
Model No. 0547100001  
May also be used with  
Series 5200 Balancer Trolley.



**Reducer Bushing**

Model No. 00669P0041  
(3/8" to 1/4")

Hose  
Connector  
shown with  
Model No.  
0541100012



**Hose Support**

Model No. 6102000000  
(0.49" - 0.90" O.D.)  
Model No. 6102100000  
(0.91" - 1.25" O.D.)



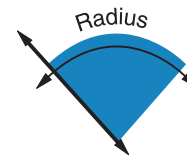
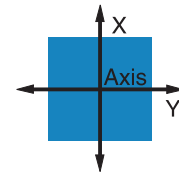
Hose/cable clamping capacity

## Workstation Assemblies

Offers all the workstation assemblies and components you need. With workstation assemblies, you can optimize your use of space via bench, wall or floor-mounted arms, as well as extended runways that increase horizontal space options. Pivoting fixture and trolley mounts provide quick access to tools and greater freedom of movement.

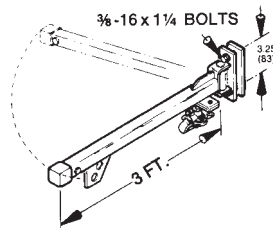
### Layout Guidelines

- What kind of work flow occurs in the area in question? Is it a straight-line application? An X-Y axis? A radius application? In this catalog, we have indicated which workstations and components are suitable for each application.
- Consider the type of tool used and how much of the work area the tool must be able to reach.
- System total suspended weight should not exceed 50 pounds for Series 5400 products, 30 pounds for Series 5200. Total suspended weight includes tool balancer, suspended tool, balancer trolley and cable or hose.
- Maximum unsupported horizontal track length is 6 feet. When mounting horizontal lengths of track, it is essential that any one unsupported length of track not exceed this length.
- Maximum unsupported vertical track length is 6 feet. When using vertical lengths of track, it is essential that any one unsupported length of track not exceed this length. Unsupported vertical lengths of track that exceed 6 feet in height should be mounted to walls or work benches using a Model No. 5400-SC support clamp.



## SERIES 5200

### WORKSTATION ASSEMBLIES



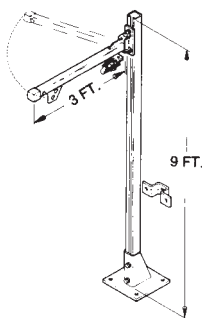
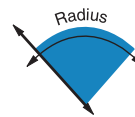
#### Wall-Mounted 180° Swinging Jib

Model No. 0525200034

Max. Capacity 30 lbs. (13.6 Kg)  
Total Length 3 ft. (0.9 m)

With Trolley and End Clamp

.49" - 1.25" O.D.



#### Floor/Bench-Mounted Swinging Jib

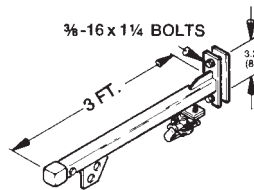
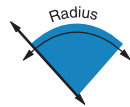
Model No. 0526200034

Max. Capacity 30 lbs. (13.6 Kg)  
Total Length 3 ft. (0.9 m)

With Trolley and End Clamp

.49" - 1.25" O.D.

(Must be used in conjunction with bench)



#### Wall-Mounted Fixed Jib

Model No. 0525100034

Max. Capacity 30 lbs. (13.6 Kg)  
Total Length 3 ft. (0.9 m)

With Trolley and End Clamp

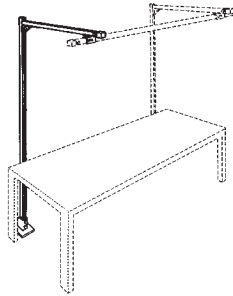
.49" - 1.25" O.D.





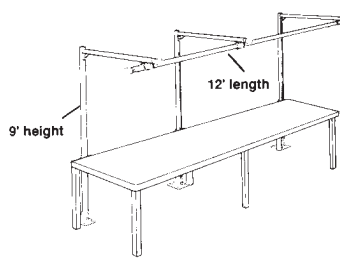


## SERIES 5400 WORKSTATION ASSEMBLIES



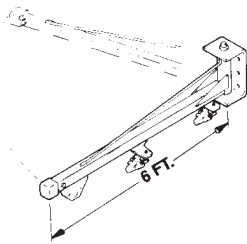
### Floor-Mounted Runway Extension

Model No. 0544100069  
Includes all necessary hardware — just add track to extend the system.



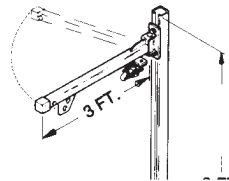
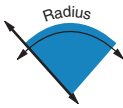
### Triple Floor-Mounted Runway

Model No. 0544100012  
Max. Capacity 50 lbs. (22.7 Kg)  
Total Length 12 ft. (3.7m)  
Bench and Cars not included



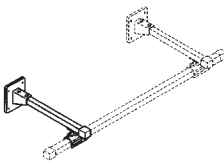
### Wall-Mounted 180° Swinging Jib

Model No. 0545200064  
Max. Capacity 50 lbs. (22.7 Kg)  
Total Length 6 ft. (1.8m)  
With Trolley, Intermediate Car and End Clamp  
.49" - 1.25" O.D.



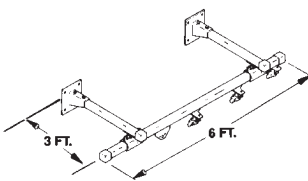
### Wall-Mounted Fixed Jib

Model No. 0545100064  
Max. Capacity 50 lbs. (22.7 Kg)  
Total Length 6 ft. (1.8m)  
With Trolley, Intermediate Car and End Clamp  
.49" - 1.25" O.D.



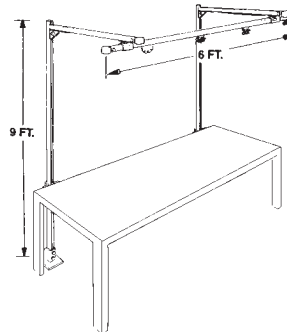
### Wall-Mounted Runway Extension

Model No. 0544300069  
Includes all necessary hardware; just add track to extend the system.



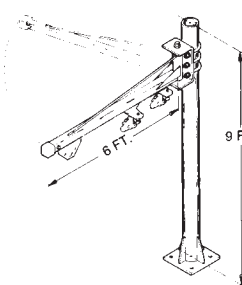
### Double Wall-Mounted Runway

Model No. 0544300064  
Max. Capacity 50 lbs. (22.7 Kg)  
Total Length 6 ft. (1.8m)  
With Trolley, Intermediate Car and End Clamp  
.49" - 1.25" O.D.



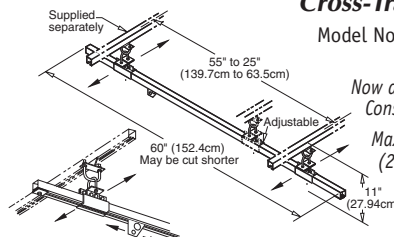
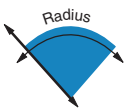
### Double Floor-Mounted Runway

Model No. 0544100064  
Max. Capacity 50 lbs. (22.7 Kg)  
Total Length 6 ft. (1.8m)  
With Trolley, Intermediate Cars and End Clamp  
.49" - 1.25" O.D.



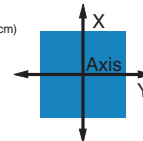
### Floor-Mounted Swinging Jib

Model No. 0546200064  
Max. Capacity = 50 lbs. (22.7 Kg)  
Total Length = 6 ft. (1.8m)  
With Trolley, Intermediate Cars and End Clamp  
.49" - 1.25" O.D.



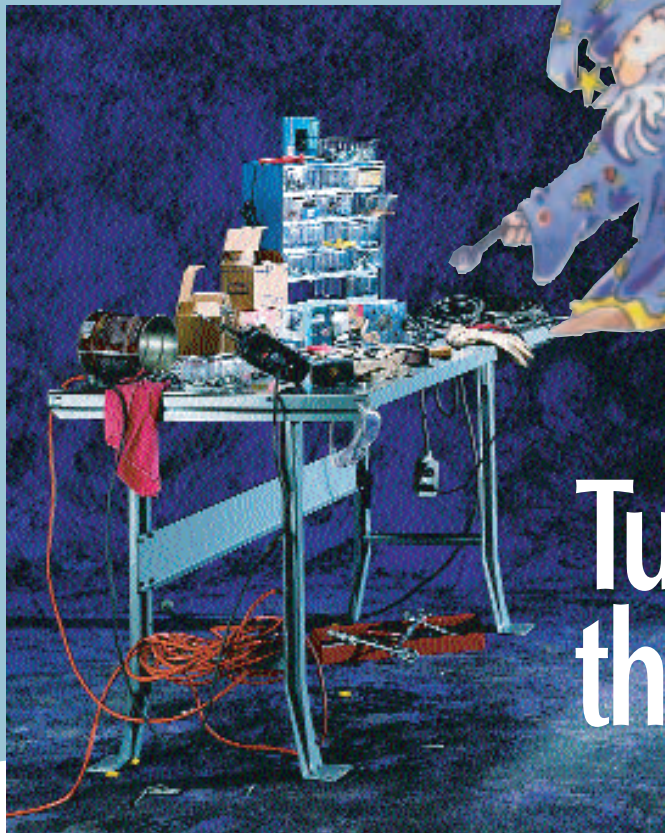
### Cross-Tracker System

Model No. 54WB6  
52WB6  
Now available to cover X-Y axis. Consult factory.  
Max. Capacity 50 lbs. (22.7 Kg) at 6 ft. span



# Work Wizard: Make messy,

A well-designed workspace can save money in several ways. Reducing the time it takes to do a repetitive task by even a few seconds can add up to hours in the course of a week. Expensive tools can be protected from damage by supporting them out of the way. The proper management of a tool's weight and torque can prevent repetitive stress-related injuries, downtime, and worker's compensation costs. Work Wizard makes it easy to invest in higher productivity and better ergonomics.



Turn  
this...

## A simple solution for cleaning up existing work areas.

Each kit is engineered to optimize space, while minimizing the number of component parts. With Work Wizard, you can enhance a workbench so that assembly operations can be completed more quickly. You can use an extension kit to turn a couple of workbenches into a complete, integrated workcell. In addition, the Work Wizard can make walls, ceilings and floors a functional part of the work environment.

9 WORK WIZARD

# unorganized workspaces disappear



...into  
this...neat!

## Easy to order, easy to assemble.

Each kit contains all the parts you need for installation. There's no complicated guesswork about screws, nuts, or caps. This eliminates unnecessary purchases and unnecessary installation time.

## A flexible system that grows with your needs.

For the work area that requires a document stand or a tool bin, a power support bar or the right size shelf, we offer the appropriate product and many unique attachment devices. In addition, we have a full line of tool support products in virtually every weight range. The range of components assures you of maximum flexibility in customizing your current work area with standard assemblies.

## Durable construction.

Slotted vertical track is used in the Work Wizard to improve structural integrity and provide a positive lock for articulating arms. It bears heavier loads and you do not need to worry about slippage. In addition, overhead supports are U-shaped, which allows for infinite positioning of overhead equipment.

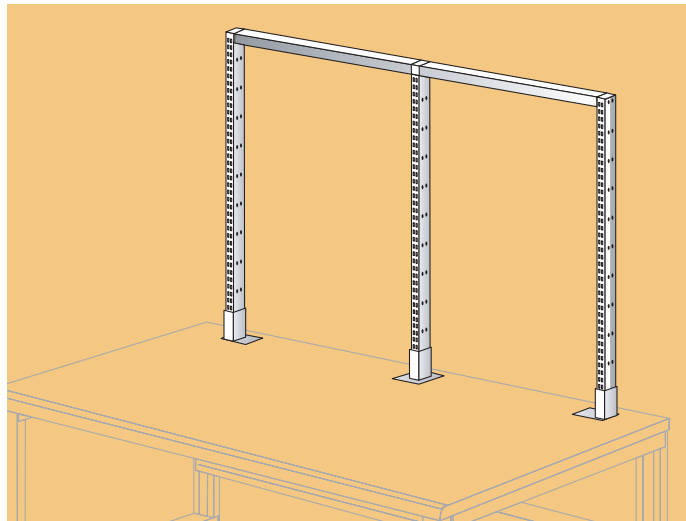
# WIZARD

# Bench-Mount Supports



## Single Bay Bench-Mounted Support

Perfect for making the workbench area more efficient. Work Wizard lights, shelves, and other accessories can be mounted on it. Kit measures 30i wide by 53i high. Kit #B102.



## Double Bay Bench-Mounted Support

Extra-wide construction provides more possibilities for accessory mounting. Measures 60i wide by 53i high. Kit #B108.



## Single Bay Bench-Mounted Overhead Kit

Offers increased productivity by removing tools from the worksurface. Includes single-bay bench-mount frame, horizontal support track, right-angle brackets to attach to the slotted vertical track, 5 ft. horizontal tool track, two end stops, and two end caps.

Kit #B106.



## Bench-Mounted Swinging Jib

Kit includes single upright, swinging jib with balancer trolley, end stop, end cap, and adapter for attachment to the vertical slotted track.

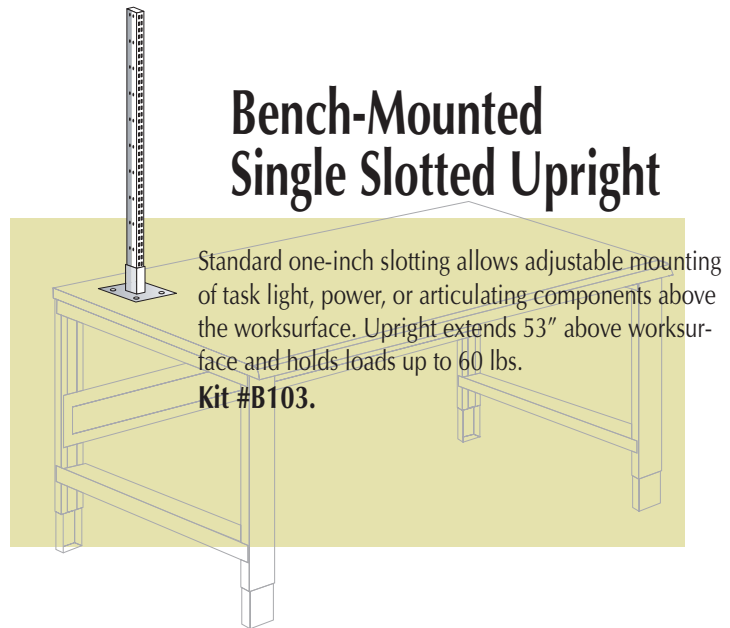
**Kit #B101.**



## Upright-Mount Swinging Jib

3-ft. swinging jib mounts to all Work Wizard slotted uprights. Supports up to 30 lbs. and swings up to 180°. Includes all mounting hardware.

**Kit #M315.**



## Torque Arms

Increases flexibility when working with power tools by supporting the weight of the tool and absorbing the reaction torque. Handles a maximum tool weight of 5 lbs. and maximum torque reaction of 20 ft-lbs.



EMS12	Torque Arm, Single Linkage	12"
EMS18	Torque Arm, Single Linkage	18"
EMP12	Torque Arm, Parallel Linkage	12"
EMP18	Torque Arm, Parallel Linkage	18"



## Parts Stand Trolley Kit

Provides moveable common storage of small parts for the shop floor. Includes a 65" tall x 30" wide upright standing trolley with casters and handle. Ideal for material handling. (Bin rails and bins not included.)

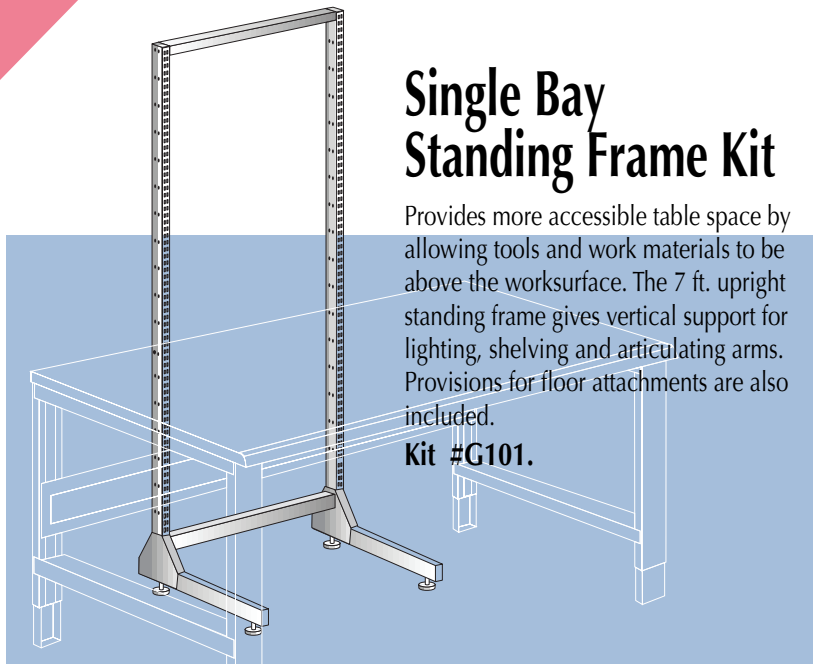
**Kit #G107.**

# Floor-Mount Supports

## Single Bay Standing Frame Kit

Provides more accessible table space by allowing tools and work materials to be above the worksurface. The 7 ft. upright standing frame gives vertical support for lighting, shelving and articulating arms. Provisions for floor attachments are also included.

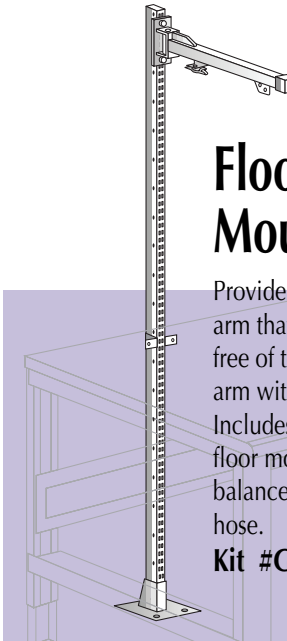
**Kit #G101.**



## Floor/Bench Mounted Jib

Provides an additional option in a jib arm that helps keep the workbench free of tools. It has a 3 ft. swinging arm with a 30 lb. (13.6 Kg) capacity. Includes 7 ft. slotted vertical upright, floor mounting plate, bench clamp, balancer trolley, and end cap to hold hose.

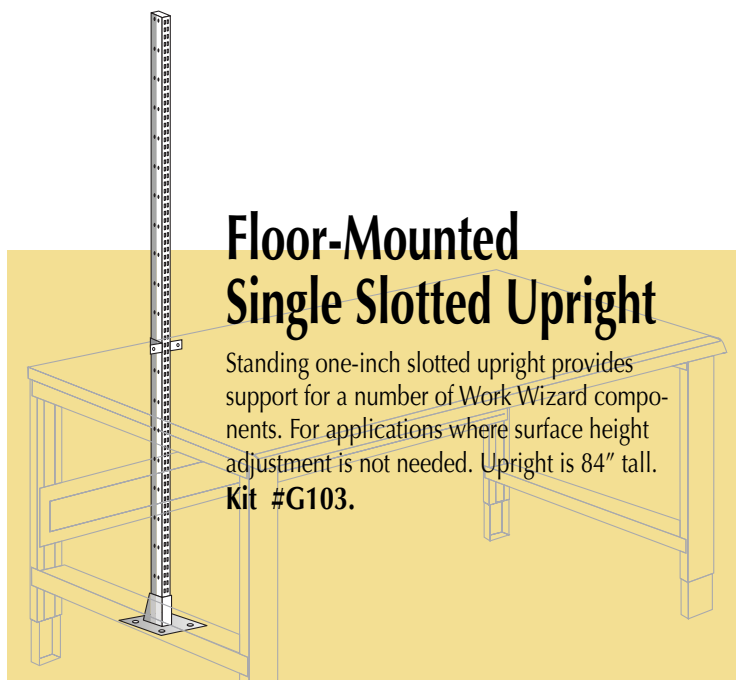
**Kit #G110.**



## Floor-Mounted Single Slotted Upright

Standing one-inch slotted upright provides support for a number of Work Wizard components. For applications where surface height adjustment is not needed. Upright is 84" tall.

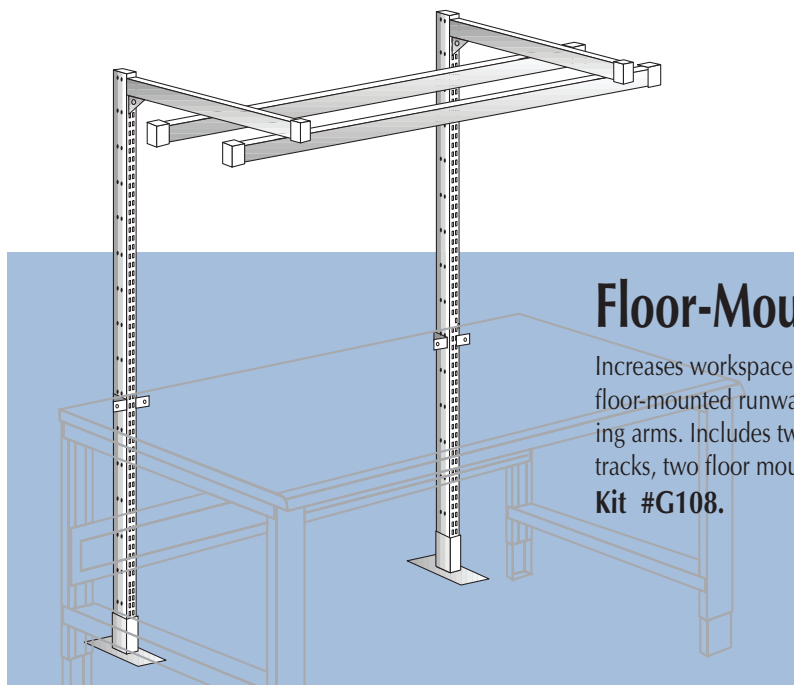
**Kit #G103.**



## Single Bay Standing Overhead

Removes tools from the worksurface. Accepts overhead lighting, shelving and articulating arms. Includes one 7 ft. free-standing frame, 5 ft. horizontal tool track, joint brackets, two end stops, two end caps, two horizontal support extensions, and provisions for floor mounting.

**Kit #G109.**



## Floor-Mounted Runway

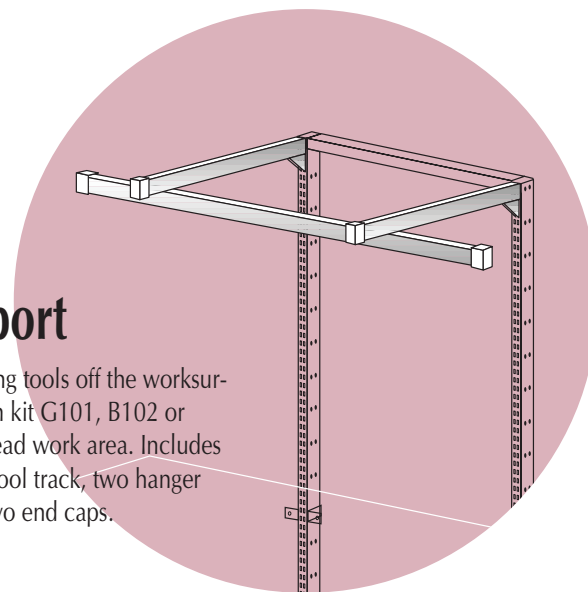
Increases workspace by suspending tools above the worksurface. The floor-mounted runway accepts overhead lighting, shelving, and articulating arms. Includes two 7 ft. slotted uprights, two 5 ft. horizontal tool tracks, two floor mounting plates, and two bench clamps.

**Kit #G108.**

## Single Bay Overhead Support

Increases productivity by getting tools off the worksurface. Used in conjunction with kit G101, B102 or B108, it can extend the overhead work area. Includes two horizontal supports, 5 ft. tool track, two hanger brackets, two end stops and two end caps.

**Kit #C101.**



## Tool Track

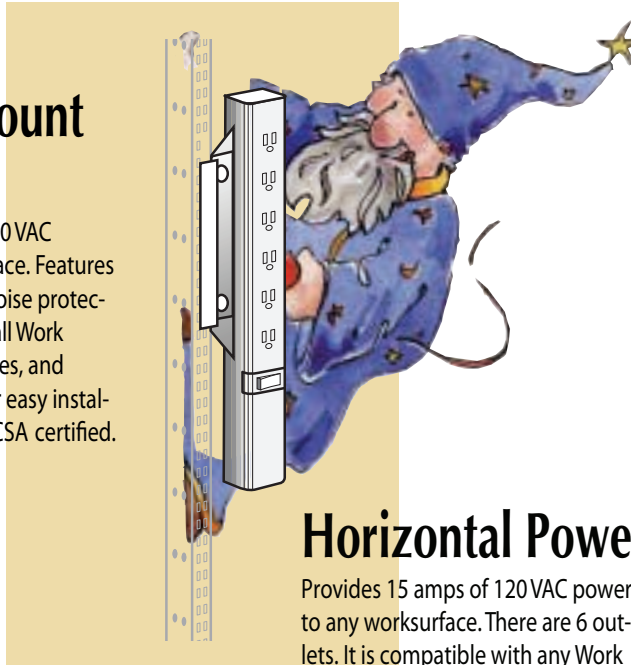
Offers the flexibility to add a second track.

**Kit #C104-** 60" track for use with single-bay uprights.

**Kit #C105-** 72" track for use with double-bay uprights.

## Vertical-Mount Power Bar

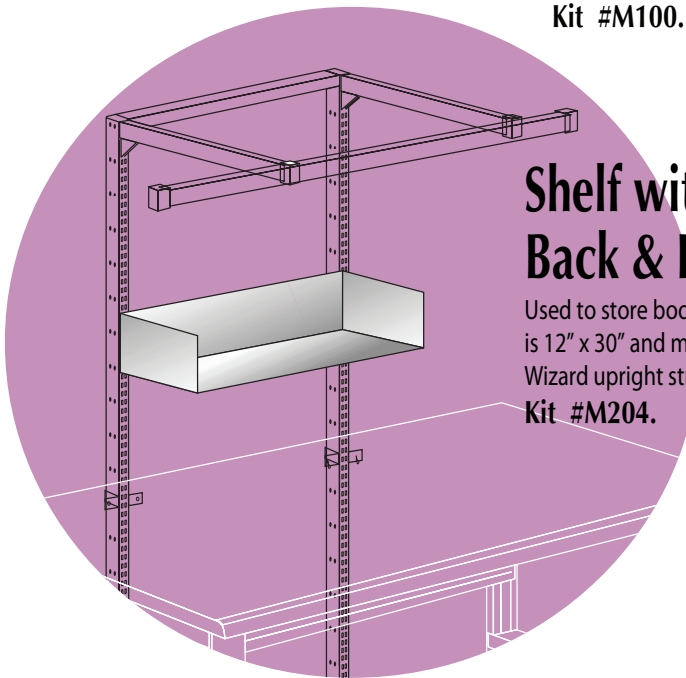
Provides 15 amps of 120VAC power to any worksurface. Features six outlets, spike and noise protection. Compatible with all Work Wizard upright structures, and comes with a clamp for easy installation. UL<sup>®</sup>-listed and CSA certified. Kit #M101.



## Add-On Modules

### Horizontal Power Bar

Provides 15 amps of 120VAC power to any worksurface. There are 6 outlets. It is compatible with any Work Wizard single-bay upright structure. UL<sup>®</sup>-listed. Kit #M100.



### Shelf with Back & End Panels

Used to store books, supplies or tools. This shelf is 12" x 30" and mounts to a single-bay Work Wizard upright structure. Kit #M204.



### Articulating Document Holder

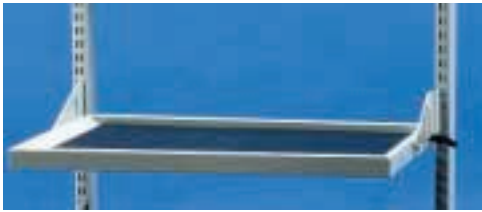
Puts working documents at eye level and keeps the worksurface clear. Tilts from 20° to 90° and mounts to any Work Wizard slotted upright structure. Maximum load capacity 10 lbs. (4.5 Kg.) Kit #M307.





## Spool Support

Used for storing solder spools or small wire reels. The spool support measures 1/2" diameter and 28" long, and mounts to single bay upright. **Kit #M206.**



## Adjustable Shelf with Tilt

Used for storing parts, parts bins, or tools. Mounts to any Work Wizard upright. Tilt adjustment from 0°- 25°. Vinyl mat included.

**Kit #M202** - 18"x 28" shelf kit; load capacity 100 lbs, front mount

**Kit #M203** - 24"x 28" shelf kit; load capacity 100 lbs, front mount



## General Lighting

A high-intensity fluorescent light with four T-8 lamps, contained in a 44-inch-long housing with electronic ballast. Mounts to Work Wizard overhead tool track C101 and provides optimum overhead lighting for the worksurface.

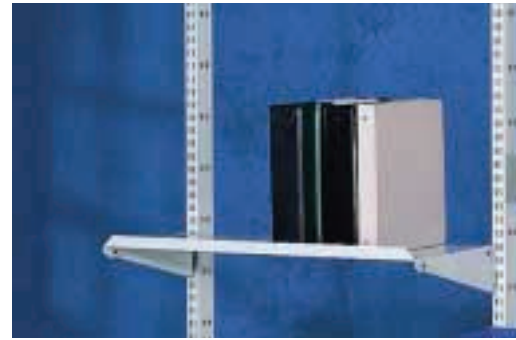
**Kit #M601.**

## General Lightingw/Tool Track

High-intensity fluorescent light with four T-8 lamps. Energy-saving electronic ballast operates at 30,000 cycles per second and produces no audible hum.

**Kit #M605**- 44" light with 48" track for single-bay kits.

**Kit #M606**- 56" light with 60" track for double-bay kits.



## Small Adjustable Shelf

Perfect for storing components or tools. This shelf is 12" x 30" and mounts on any Work Wizard single-bay upright structure or trolley. It can be mounted flat or at a 15° angle. Maximum load capacity 100 lbs. (45.4 Kg).

**Kit #M201.**



## Backscreen

A double-sealed tackable gray fabric. Mounts on all 30" wide slotted upright structures, measures 24" x 28", and comes with four mounting brackets.

**Kit #M207.**



## Pegboard

A 24" x 28" pegboard for general storage purposes. Comes with four mounting brackets and mounts on all 30"-wide single-bay slotted upright structures. Pegboard hooks not included.

**Kit #M208.**



## Single Bay Bin Rail

Measures 4" x 30", comes equipped with six individual bin containers, and mounts to any Work Wizard upright structure.

**Kit #M205** Bin Rail Kit 6.6"x 4.9"x 3".

**Kit #M320** Bin Rail without bins.

**Kit #M323** Blue bins 5.1"x 4.9"x 2".

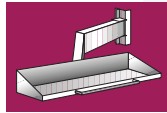
**Kit #M324** Blue bins 6.6"x 4.9"x 3".

## Articulating Bin Container Kit

Provides optimum use of worksurface by putting parts at operators' fingertips and can be moved back out of the way when desired. Comes ready to install with 12 individual 6.6"x 4.9"x 3" bins and measures 6.5"x 21"x 14".  
Mounts to any Work Wizard upright structure.

**Kit #M305** Articulating shelf with bins & container.

**Kit #M322** Articulating shelf without bin container.



## Articulating Platform VDT Holder

Allows optimum use of the worksurface by moving a VDT into a convenient position with the adjustable arm. Platform is 13"x 22".  
Mounts to any Work Wizard slotted upright structure. Maximum load 40 lbs. (18.1 Kg).

**Kit #M306.**

## Keyboard Tray

Attaches to the VDT Holder (above) and places the keyboard in the correct position relative to the display screen. Measures 9.25"x 18.5".

**Kit #M308.**



# TECHNICAL DATA

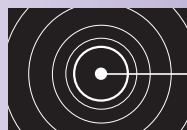
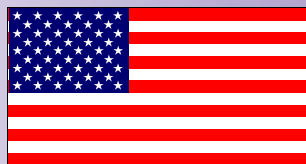
Model	Description	Height	Width	Depth	Height Adj. Range	Construction	Load Capacity	Shipping Wt. lbs/kg
B101	Bench Mount Swing Jib Kit	53"	36"	6"-36"	6"-52"	tubular steel	10 lbs	19/8.6
B102	Single Bay Bench Mount Kit	53"	30"	2.36"	6"-52"	tubular steel	400 lbs	21/9.5
B103	Bench Mounted Slotted Upright	53"				tubular steel	60 lbs	9/4.1
B106	Bench Mount Overhead Kit	53"	60"	4.5"	6"-52"	tubular steel	30 lbs	53/24.1
B108	Double-Bay Bench Mounted Kit	53"	60"	9"		tubular steel	400 lbs	33/15.0
C101	Overhead Kit		60"	30"		steel	30 lbs	16/7.3
C104	Tool Track		60"			steel	30 lbs	5/2.3
C105	Double Bay Tool Track		72"				30 lbs	6/2.7
C106	Horizontal Supports			30"			50 lbs	11/5.0
G101	Standing Frame Kit	84"	30"	30"	11"-83"	double slotted steel	600 lbs	45/20.5
G103	Slotted Upright	84"				steel	60 lbs	14/6.4
G107	Large Trolley, CJ	65"	30"	30"		double slotted steel	600 lbs	51/23.1
G108	Floor Mounted Runway	84"	60"	32.36"	6"-84"	double slotted steel	600 lbs	49/22.3
G109	Standing Overhead Kit	84"	60"	32.50"	6"-84"	tubular steel	600 lbs	61/27.7
G110	Floor / Bench Mount Jib	84"	36"		6"-84"	double slotted steel	30 lbs	28/12.7
M100	Horizontal Power Bar	3"	29"	2.5"		steel	15 amp	6/2.7
M101	Vertical Power Bar	12.5"	1.875"	1.875"		plastic	15 amp	4/1.8
M201	Small Shelf	1"	30"	12"	1" steps	steel	100 lbs	9/4.1
M202	Tilt Shelf	1.5"	28"	18"	1" steps	steel	100 lbs	12/5.5
M203	Tilt Shelf	1.5"	28"	24"	1" steps	steel	100 lbs	14/6.4
M204	Shelf With Back & End Panels	15"	30"	12"	1" steps	steel	100 lbs	11/5.0
M205	Bin Rail with Bins	4"	30"		1" steps	steel / plastic	50 lbs	5.2/2.4
M206	Spool Support	.5" dia.	28"		1" steps	steel	25 lbs	2/0.9
M207	Backscreen	24"	28"	1"	1" steps	fabric, steel, wood		11/5.0
M208	Pegboard	24"	28"	1"	1" steps	wood, steel		25/11.4
M305	Bin Container	14"	21"	6.5"	1" steps	steel	40 lbs	24/10.9
M306	Articulating Platform		22"	13"	1" steps	steel	40 lbs	13/5.9
M307	Document Holder	14"	20"	1"	1" steps	steel	10 lbs	9/4.1
M308	Keyboard Tray					steel	6 lbs	5/2.3
M315	Swinging Jib		36"	6"-36"		tubular steel	30 lbs	10/4.5
M320	Bin Rail w/o bins	4"	29"			steel	50 lbs	4/1.8
M322	Container/ Tool Shelf	13"	21"	7"		steel	40 lbs	11/5.0
M323	Plastic Blue Bins	2"	4.9"	5.1"		plastic		0.1/0.1
M324	Plastic Blue Bins	3"	4.9"	6.5"		plastic		0.2/0.1
M601	General Light	2"	44"	12"		steel		25/11.4
M605	Light w/ Electric Ballast	3"	44"	12"		steel		24/10.9
M606	Light w/ Electric Ballast	2"	56"	12"		steel		28/12.7

**WORK WIZARD**



*Thank you for your interest in our Work-Wizard products! We have these items ready for immediate shipment and would like to help you with any applications you may have!*

# WORK WIZARD



Balancers  
Torque Arms  
Workstations

*Pneumatic*  
**TECHNOLOGY, INC.**

30447 Edison Drive - Roseville, MI 48066 - (586)776-1480 - (Fax)776-1249  
[www.work-wizard.com](http://www.work-wizard.com)