

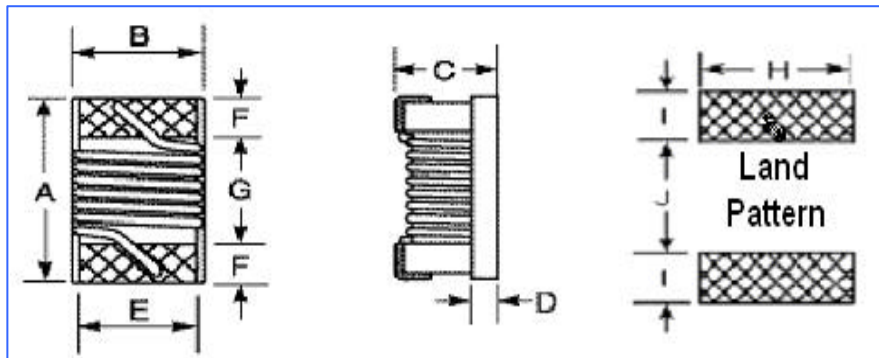


## 0402 Wire-wound Hi-Frequency Ceramic Chip Inductor (M-Type)

### ◆ Properties and Applications

- 1、 High Q-value, esp. for use in hi-frequency circuit
- 2、 High Self-Resonance Frequency
- 3、 Precise Tolerance
- 4、 Excellent Uniformity of Products

### ◆ Overall Dimensions



A max	B max	C max	D ref	E	F	G	H	I	J
.047	.025	.026	.010	.020	.009	.022	.026	.014	.018
1.19	0.64	0.66	0.25	0.51	0.23	0.56	0.66	0.36	0.46

### ◆ Electrical Properties

Item	Part Number	Inductance			Q Factor		Max Rdc ( )Max.	SR Frequency (MHz)Min .	Max Idc (mA)Max .
		(MHz)	(nH)	Tolerance	(MHz)	Min.			
1	0402CW1R0KST	(250)	1.0	K.M	(250)	16	0.045	>6000	1360
2	0402CW2R0KST	(250)	2.0	K.M	(250)	16	0.07	>6000	1040
3	0402CW2R2KST	(250)	2.2	K.M	(250)	19	0.07	>6000	960
4	0402CW3R3KST	(250)	3.3	K.M	(250)	19	0.066	6000	840
5	0402CW3R6KST	(250)	3.6	K.M	(250)	19	0.066	6000	840
6	0402CW3R9JST	(250)	3.9	J.K.M	(250)	19	0.066	5800	840
7	0402CW5R1JST	(250)	5.1	J.K.M	(250)	20	0.083	5800	800
8	0402CW5R6JST	(250)	5.6	J.K.M	(250)	20	0.083	5800	760
9	0402CW6R2JST	(250)	6.2	J.K.M	(250)	20	0.083	5800	760
10	0402CW7R5JST	(250)	7.5	J.K.M	(250)	22	0.104	5800	680
11	0402CW8R2JST	(250)	8.2	J.K.M	(250)	22	0.104	4400	680
12	0402CW9R0JST	(250)	9.0	J.K.M	(250)	22	0.104	4160	680
13	0402CW100JST	(250)	10	J.K.M	(250)	21	0.195	3900	480
14	0402CW110JST	(250)	11	J.K.M	(250)	24	0.12	3680	640
15	0402CW120JST	(250)	12	J.K.M	(250)	24	0.12	3600	640
16	0402CW150JST	(250)	15	J.K.M	(250)	24	0.172	3280	560
17	0402CW190JST	(250)	19	J.K.M	(250)	24	0.202	3040	480

18	0402CW230JST	(250)	23	J.K.M	(250)	24	0.214	2720	400
19	0402CW270JST	(250)	27	J.K.M	(250)	24	0.298	2480	400
21	0402CW360JST	(250)	36	J.K.M	(250)	24	0.403	2320	320
22	0402CW400JST	(250)	40	J.K.M	(250)	24	0.438	2240	320
23	0402CW470JST	(250)	47	J.K.M	(250)	20	0.830	2100	150

Temperature Range : -20 ~+85

- 1、 Inductance (L) and Q-factor measured by using HP4291A Impedance Material Analyzer and HP16193 Testing Fixture.
- 2、 RDC measured by using HA4286A Testing Machine.
- 3、 SRF measured by using ADVANTEST R3767AH Network Analyzer.

### ◆ Curves of 0402-M Product Properties

