

SPECIFICATIONS

Insulation Resistance:	500MΩ min. at 500V DC
Withstanding Voltage:	500V ACrms for 1 minute
Contact Resistance:	100mΩ max. at 1mA / 20mV max.
Current Rating:	0.5A
Voltage Rating:	5.0Vrms
Operating Temp. Range:	-55°C to +85°C
Mating Cycles:	5,000 insertions

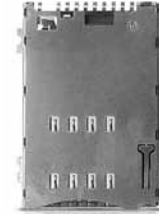
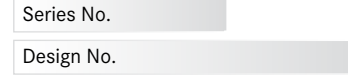
MATERIALS AND FINISH

Insulator:	LCP, glass filled (UL94V-0)
Contact Plating:	Mating Face - Gold over Nickel Solder Tails - Gold over Nickel

AUTOMOTIVE COMPLIANT

PART NUMBER

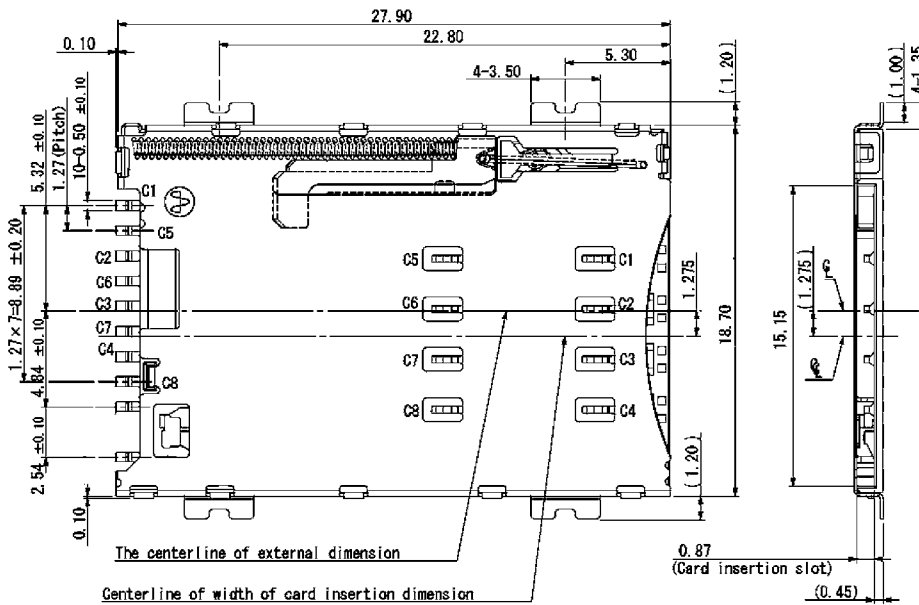
FMS008 - 6001 - 0



FEATURES

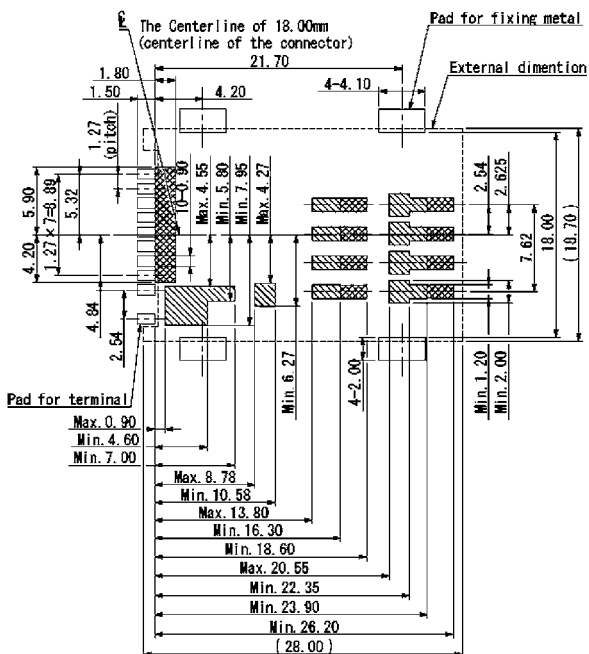
- 8 SIM contacts
- Top Mount for SMT soldering
- With switch
- Super low profile of 1.5mm
- Smooth extraction function by Push/Push mechanism
- Tape & Reel packaging 1,000 pcs per reel

OUTLINE DIMENSIONS FOR FMS008-6001-0



RECOMMENDED PCB LAYOUT

Top View



CARD INSERTION DETAILS

