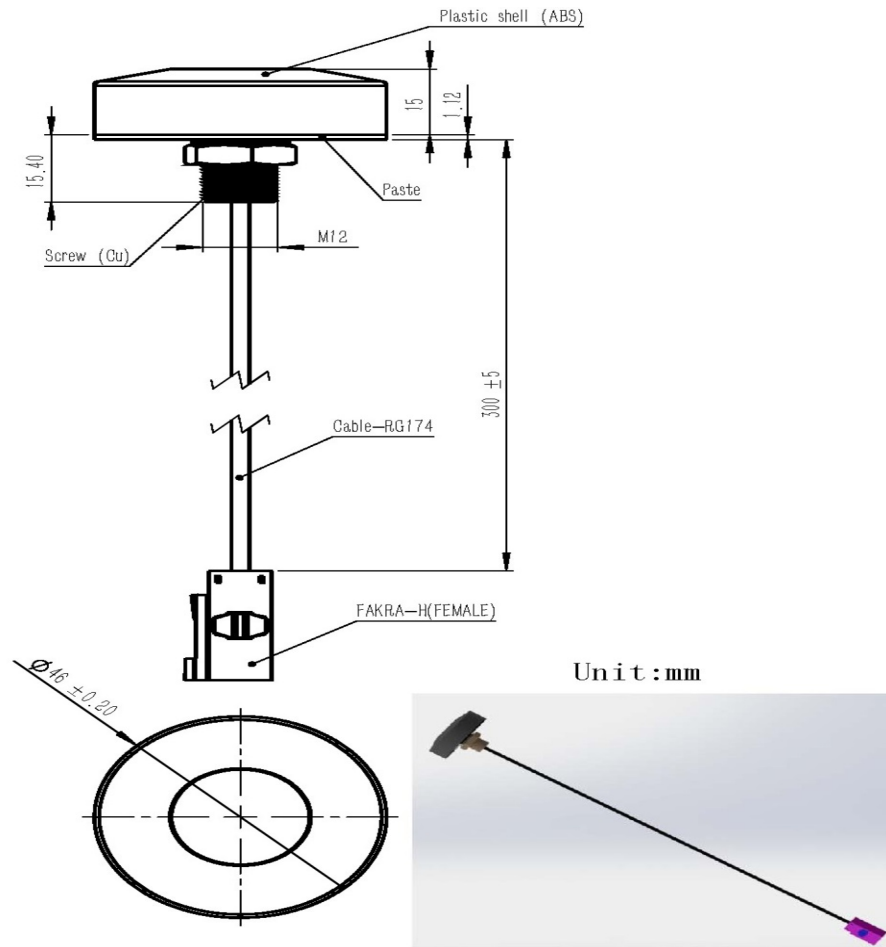


## 4G/LTE External Antennas

Product Number: ATLTE-46015-2.5BP



## 2. Drawing



## 3. Product Specification

Item	Specifications	
Antenna	Frequency Range	850~960/1710~2170/2500~2700MHz
	Polarization	Linear
	Gain	2.5dBi (Zenith)
	V. S. W. R	<2.0
	Impedance	50 $\Omega$
Mechanical	Cable	RG174
	Connector	FAKRA D (or others)
	Mounting Method	Screw Permanent
Environmental	Operating Temperature	-40°C ~ +85°C
	Vibration	10 to 55Hz with 1.5mm amplitude 2 hours
	Environmentally Friendly	ROHS Compliant