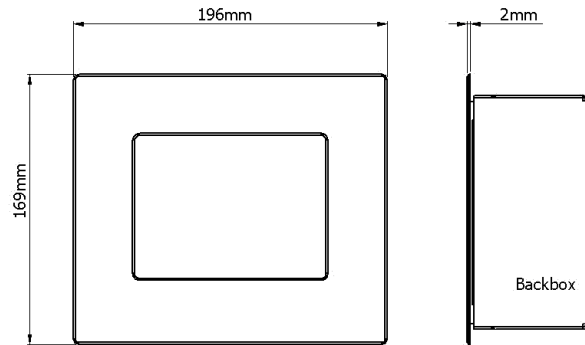


Introduction

The Chilli Master Touch Screen is a configurable controller for the Chilli Network. Network connection is made via CAT5 (100MHz) FTP cable.

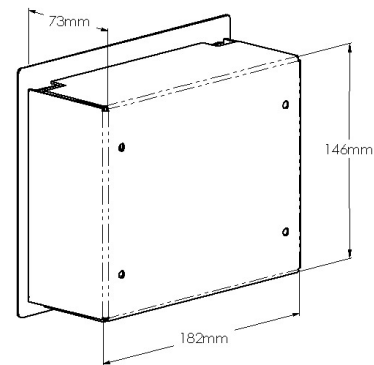


Installation

The Chilli Master Touch Screen is supplied with a custom backbox that requires a 185mm x 150mm x 75mm recess. The backbox is fitted into the recess with 4-off No.6 screws (see Figure.1 on page 4).

The unit should be installed in a dry ventilated location, where ambient temperature and humidity are within the operating limits of the unit.

Each end of a network must have a 120Ω terminating resistor fitted between CAN-H and CAN-L. There must be no other resistors anywhere on the network or communication errors will occur.



Cabling/Termination

Network Connection

CAT5 FTP cable is recommended for the network. The network connections are made via the 5-pin terminal block. The terminal block has a 1.5mm² cable capacity.

The ChilliNet terminals are labelled with the recommended colour coding.

- Orange pair +12V
- Blue/White CAN-H
- Blue CAN-L
- Green pair 0V
- Brown pair Shield

Programming Connection

A USB socket is provided for configuring the Chilli Master Touch Screen. This is to be done using iCANSofT.

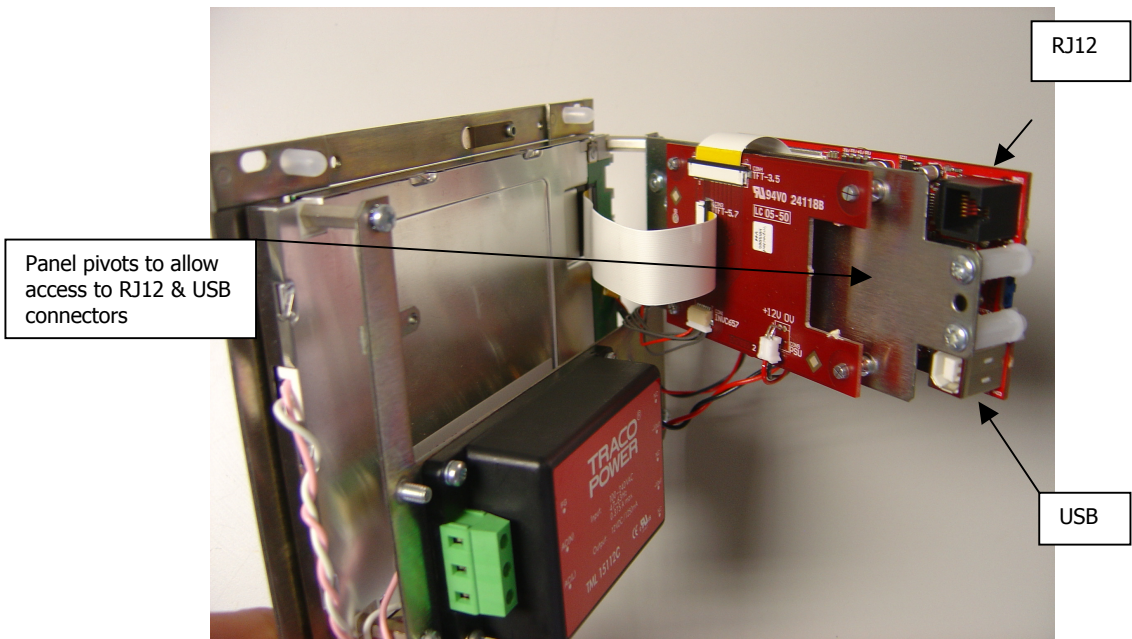
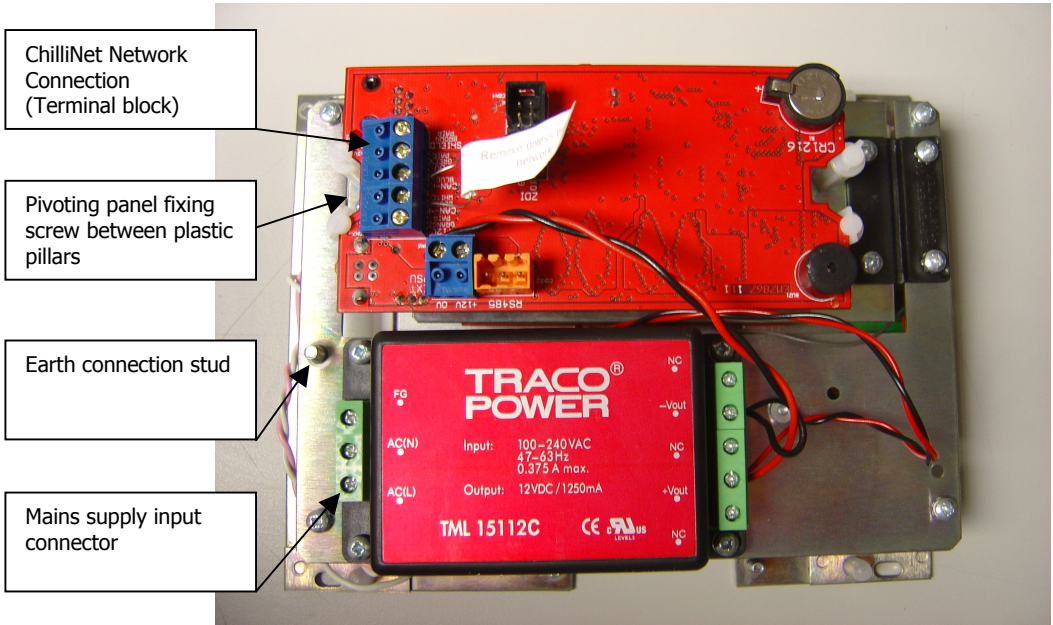
An RJ12 connection to the ChilliNet network is also provided for service operations.

Zero 88 reserves the right to make changes to the equipment described in this manual without prior notice.

This equipment is designed for professional stage lighting control, and is unsuitable for any other purpose. It should be used by, or under the supervision of, appropriately qualified or trained persons only. E & OE

Servicing of this equipment should be attempted by suitably qualified persons only.

Zero 88, Usk House, Llantarnam Park, Cwmbran. NP44 3 HD U.K.
Tel: +44 (0) 1633 838088 Fax: +44 (0) 1633 867880
Email: sales@zero88.com Web: www.zero88.com



Earth Connection

A good earth connection is required to the metal chassis of the Chilli Master Touch Screen in order to guard against electrostatic discharge (ESD) on the panel and voltage transients (spikes) on the cabling. This should be connected via a standard M4 ring tag to the M4 threaded stud in the backbox.

Zero 88 reserves the right to make changes to the equipment described in this manual without prior notice.

This equipment is designed for professional stage lighting control, and is unsuitable for any other purpose. It should be used by, or under the supervision of, appropriately qualified or trained persons only. E & OE

Servicing of this equipment should be attempted by suitably qualified persons only.

Zero 88, Usk House, Llantarnam Park, Cwmbran. NP44 3 HD U.K.
Tel: +44 (0) 1633 838088 Fax: +44 (0) 1633 867880
Email: sales@zero88.com Web: www.zero88.com

Care and Maintenance

To avoid damaging the unit and exposing hazardous voltages, no attempt should be made to disassemble the electronics.

The coverplate should only be cleaned gently with a damp cloth. Abrasive cleaners, polishes, solvent based cleaning agents or alkali based cleaners should not be used.

Technical Specification

Electrical:

Supply voltage

Mains supply input: 100-240V AC, 47-63Hz, 0.375A max.

Internal power supply output: +12V DC / 1250mA

Mechanical:

Dimensions:

196mm x 169mm x 75mm

Weight:

1.5 Kg

Material & Finish:

Backbox – 1.2mm gauge zinc-plated steel

Front Panel – 2.0mm stainless steel

Display:

5.7" (145mm) diagonal backlit LCD screen with analogue touch overlay.

¼ VGA (320x240 pixel).

Environmental Data:

Temperature Range

+5°C to +40°C

Humidity

5% to 95% non-condensing

EMC

EN50081-1 & EN50082-1

LVD

EN60950



Zero 88 reserves the right to make changes to the equipment described in this manual without prior notice.

This equipment is designed for professional stage lighting control, and is unsuitable for any other purpose. It should be used by, or under the supervision of, appropriately qualified or trained persons only. E & OE

Servicing of this equipment should be attempted by suitably qualified persons only.

Zero 88, Usk House, Llantarnam Park, Cwmbran. NP44 3 HD U.K.

Tel: +44 (0) 1633 838088 Fax: +44 (0) 1633 867880

Email: sales@zero88.com Web: www.zero88.com

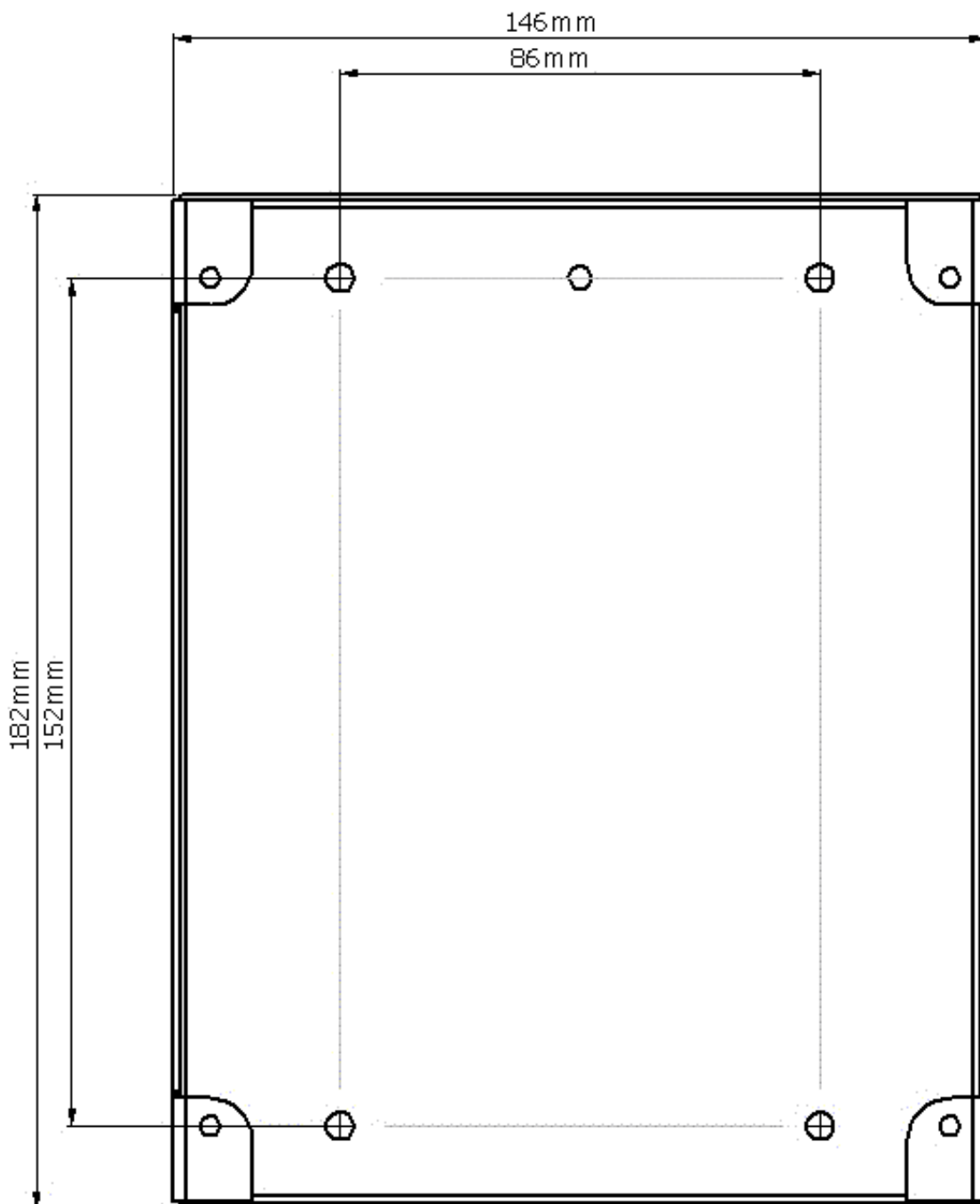


Figure 1 –backbox fixing positions

Zero 88 reserves the right to make changes to the equipment described in this manual without prior notice.

This equipment is designed for professional stage lighting control, and is unsuitable for any other purpose. It should be used by, or under the supervision of, appropriately qualified or trained persons only. E & OE

Servicing of this equipment should be attempted by suitably qualified persons only.

Zero 88, Usk House, Llantarnam Park, Cwmbran. NP44 3 HD U.K.
Tel: +44 (0) 1633 838088 Fax: +44 (0) 1633 867880
Email: sales@zero88.com Web: www.zero88.com