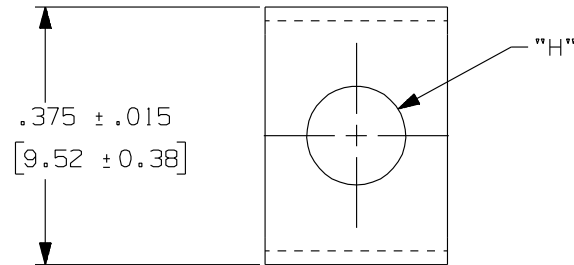
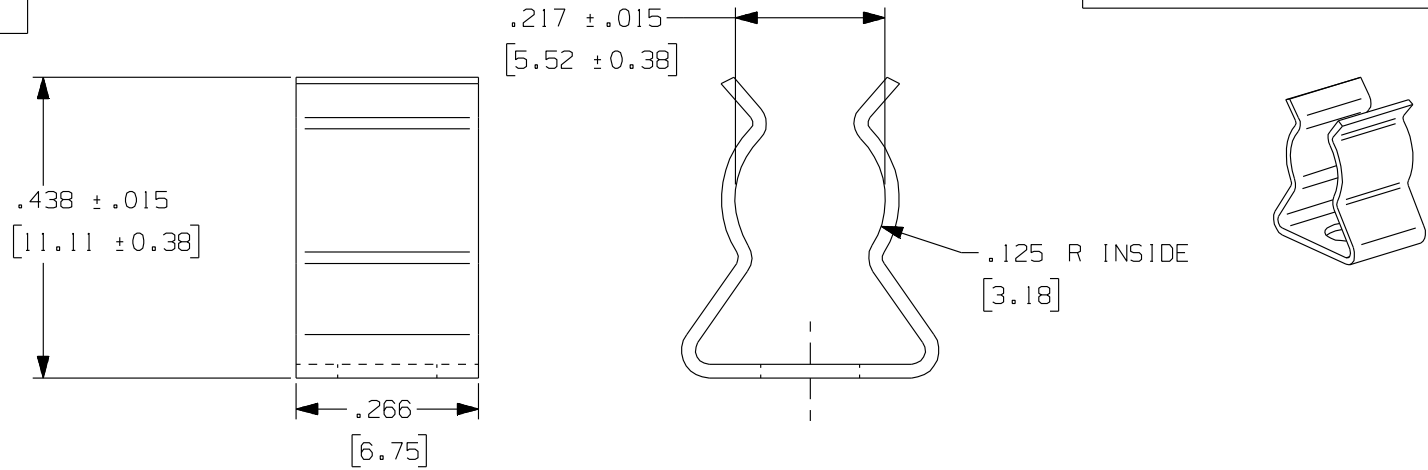


466-XXX

Rev.
K

APPLICATION DRAWING



MATERIAL .020 { 0.51mm } BRASS

PART No.	"H"	FINISH
466-128	.128 { 3.25mm }	MATTE TIN PLATING
466-144	.144 { 3.66mm }	MATTE TIN PLATING
466-144-3	.144 { 3.66mm }	BRIGHT TIN OVER COPPER
466-144-4	.144 { 3.66mm }	NICKEL PLATING
466-144-9	.144 { 3.66mm }	UNPLATED

RoHS COMPLIANT

Zierick Product Related Recommendations are general guidelines only. Since each customer's design, process and application is different it is necessary that customers thoroughly test our products in specific applications.

ZIERICK

Radio Circle Drive
Mount Kisco, New York 10549

FUSE CLIP

THIS DOCUMENT AND THE CONFIDENTIAL INFORMATION CONTAINED HERE ARE THE PROPERTY OF ZIERICK MANUFACTURING CORPORATION AND MAY NOT BE USED IN WHOLE OR IN PART IN ANY WAY, OR COMMUNICATED TO ANY PARTY OTHER THAN THE RECIPIENT WITHOUT THE EXPRESS PRIOR WRITTEN CONSENT OF ZIERICK MANUFACTURING CORPORATION.

466-XXX

K