



智威科技股份有限公司

ZOWIE TECHNOLOGY CORPORATION

The Lowest Vf Rectifier in the world

SCHOTTKY

SCHOTTKY BRIDGE

RECTIFIER DIODE

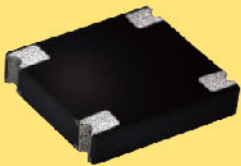
BRIDGE RECTIFIER

SWITCHING DIODE

TRANSISTOR

TVS

WWW.ZOWIE.COM.TW



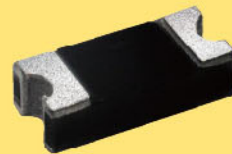
ZOWIE

BRIDGE



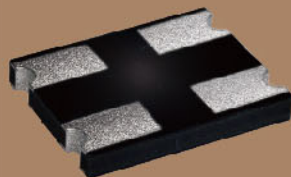
CoolTc

TECHNOLOGY



RECTIFIER

LOW VF



SCHOTTKY

DIODE

INTRODUCTION



ZOWIE Technology Corporation founded in 1994 is a leading designer and manufacturer of advanced discrete semiconductor products. The inaugurators, Ding-Hua Hu and George Tai are the well-known leaders in the semiconductor field in Taiwan. Since there is no new significant progress in diode products for more than 20 years they decided to endeavor their efforts to this industry with innovation and futurity. So they established ZOWIE Technology Corporation to develop new technology in order to supply better and new diodes for the industrial. The leaders, George Tai who has about thirty years experience in the rectifier engineering field and Harrison Chung who is expert on I.C. package technology and fine ceramic materials, lead a team of professional researchers to improve the traditional diodes. It is ZOWIE's goal to develop "the New Generation Diodes". ZOWIE's technological experts put 4 years efforts in researching and developing the new products. Finally, ZOWIE succeed. The new product-GPRC (Glass Passivated Rectifier Chip) successfully went through the first tryout in 1995 and then it officially marketed in 1998. At the same time, the new package technology-SCD (SuperChip Diode), the very first chip package diode of the world, was available in Q2, 2001.

All the products of ZOWIE are the world's first leading technology through its own newly constructive design, manufacturing and superior materials. Up to now, ZOWIE has received numerous worldwide patents, including Taiwan, the U.S.A., Mainland China, the U.K. and Japan.



Taiwan Operation



China Operation

ISO 9001 / ISO 14001 / ISO 14064 / TS 16949 / SONY GP Certificate



ISO9001 : 2008



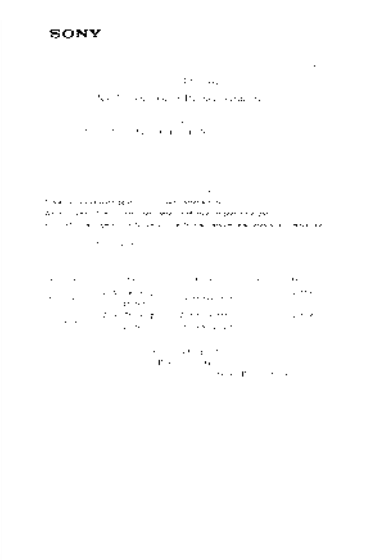
ISO14001 : 2004



ISO14064-1-2006



TS16949 : 2009(Kunshan)



SONY GP-2013(FC012899/962)

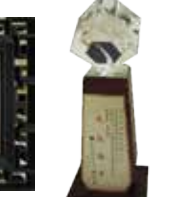
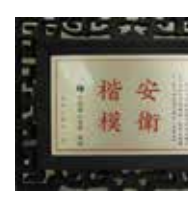
PATENTS & AWARDS



中小企業創新研究獎證書
CERTIFICATE OF SMALL AND MEDIUM ENTERPRISE INNOVATION RESEARCH AWARD

智威科技股份有限公司
This is to certify that
Zowie Technology Corporation
has won the **10th Small and Medium Enterprise Innovation Research Award**
for its **Schottky Chip Diode**

林義夫
經濟部部長
Minister of Economic Affairs
92年9月24日



CONTENTS

SCHOTTKY

ULTIMATE HIGH THERMAL PERFORMANCE SCHOTTKY RECTIFIERS (CoolTc™)

8A Schottky Barrier Rectifiers	Page 01
10A Schottky Barrier Rectifiers	Page 01
15A Schottky Barrier Rectifiers	Page 01
20A Schottky Barrier Rectifiers	Page 01

HIGH THERMAL PERFORMANCE SCHOTTKY RECTIFIERS (ZPAK™)

0.5A Schottky Barrier Rectifiers	Page 02
1A Schottky Barrier Rectifiers	Page 02
2A Schottky Barrier Rectifiers	Page 02
3A Schottky Barrier Rectifiers	Page 02
5A Schottky Barrier Rectifiers	Page 03
8A Schottky Barrier Rectifiers	Page 03
10A Schottky Barrier Rectifiers	Page 04
12A Schottky Barrier Rectifiers	Page 04
15A Schottky Barrier Rectifiers	Page 04
20A Schottky Barrier Rectifiers	Page 05
30A Schottky Barrier Rectifiers	Page 05

SCHOTTKY BARRIER RECTIFIERS (SMD by SuperChip™)-AEC-Q101 Qualified

0.1A Schottky Barrier Rectifiers	Page 06
0.2A Schottky Barrier Rectifiers	Page 06
0.3A Schottky Barrier Rectifiers	Page 06
0.5A Schottky Barrier Rectifiers	Page 06
1A Schottky Barrier Rectifiers	Page 06
2A Schottky Barrier Rectifiers	Page 07
3A Schottky Barrier Rectifiers	Page 07

SCHOTTKY BARRIER RECTIFIERS (SMD by SuperChip™)

0.1A Schottky Barrier Rectifiers	Page 09
0.2A Schottky Barrier Rectifiers	Page 09
0.3A Schottky Barrier Rectifiers	Page 10
0.5A Schottky Barrier Rectifiers	Page 10
1A Schottky Barrier Rectifiers	Page 11
2A Schottky Barrier Rectifiers	Page 12
3A Schottky Barrier Rectifiers	Page 13
5A Schottky Barrier Rectifiers	Page 14
8A Schottky Barrier Rectifiers	Page 14

SCHOTTKY BARRIER RECTIFIERS (Axial / SMD)

1A Schottky Barrier Rectifiers	Page 15
2A Schottky Barrier Rectifiers	Page 15
3A Schottky Barrier Rectifiers	Page 16
5A Schottky Barrier Rectifiers	Page 17
8A Schottky Barrier Rectifiers	Page 18

SCHOTTKY BARRIER RECTIFIERS (TO-220 / ITO-220)

10A Schottky Barrier Rectifiers	Page 21
20A Schottky Barrier Rectifiers	Page 21
30A Schottky Barrier Rectifiers	Page 22
40A Schottky Barrier Rectifiers	Page 23

CONTENTS

RECTIFIERS

SINTERED GLASS PASSIVATED JUNCTION RECTIFIERS-AEC-Q101 Qualified

1A General Purpose Rectifiers	Page 08
-------------------------------------	---------

SINTERED GLASS PASSIVATED JUNCTION RECTIFIERS

1A General Purpose Rectifiers	Page 24
2A General Purpose Rectifiers	Page 26
3A General Purpose Rectifiers	Page 27
10A General Purpose Rectifiers	Page 28

SINTERED GLASS PASSIVATED JUNCTION FAST RECOVERY RECTIFIERS

1A Fast Recovery Rectifiers	Page 29
2A Fast Recovery Rectifiers	Page 30
3A Fast Recovery Rectifiers	Page 31

SINTERED GLASS PASSIVATED JUNCTION HIGH EFFICIENCY RECTIFIERS-AEC-Q101 Qualified

1A High Efficiency Rectifiers.....	Page 08
------------------------------------	---------

SINTERED GLASS PASSIVATED JUNCTION HIGH EFFICIENCY RECTIFIERS

1A High Efficiency Rectifiers.....	Page 32
2A High Efficiency Rectifiers.....	Page 33
3A High Efficiency Rectifiers.....	Page 34
5A High Efficiency Rectifiers.....	Page 34
10A High Efficiency Rectifiers.....	Page 35
12A High Efficiency Rectifiers.....	Page 35
16A High Efficiency Rectifiers.....	Page 35
20A High Efficiency Rectifiers.....	Page 35

SINTERED GLASS PASSIVATED JUNCTION ULTRA FAST RECTIFIERS-AEC-Q101 Qualified

1A Ultra Fast Rectifiers	Page 08
--------------------------------	---------

SINTERED GLASS PASSIVATED JUNCTION ULTRA FAST RECTIFIERS

0.8A Ultra Fast Rectifiers	Page 36
1A Ultra Fast Rectifiers	Page 36
2A Ultra Fast Rectifiers	Page 37
3A Ultra Fast Rectifiers	Page 38
4A Ultra Fast Rectifiers	Page 38
5A Ultra Fast Rectifiers	Page 38
6A Ultra Fast Rectifiers	Page 39
8A Ultra Fast Rectifiers	Page 39
10A Ultra Fast Rectifiers	Page 39
16A Ultra Fast Rectifiers	Page 40
20A Ultra Fast Rectifiers	Page 40

CONTENTS

BRIDGE

SCHOTTKY BARRIER RECTIFIERS (Mini Bridge)

1A Ultra Mini Schottky Bridge Rectifiers	Page 19
2A Ultra Mini Schottky Bridge Rectifiers	Page 19

SCHOTTKY BARRIER RECTIFIERS (SuperChip™)

1A Schottky Bridge Rectifiers	Page 20
2A Schottky Bridge Rectifiers	Page 20
3A Schottky Bridge Rectifiers	Page 20

ULTRA MINI BRIDGE RECTIFIERS (LUX-Bridge™)

0.8A Ultra Mini Bridge Rectifiers	Page 41
1.0A Ultra Mini Bridge Rectifiers	Page 41

MINI BRIDGE RECTIFIERS (SuperChip™)

0.8A Mini Bridge Rectifiers	Page 41
1.0A Mini Bridge Rectifiers	Page 41

HIGH THERMAL PERFORMANCE BRIDGE RECTIFIERS (ZPAK™)

1.6A Bridge Rectifiers	Page 42
2A Bridge Rectifiers	Page 42
4A Bridge Rectifiers	Page 42

SINTERED GLASS PASSIVATED JUNCTION BRIDGE RECTIFIERS

1A Bridge Rectifiers	Page 43
1.5A Bridge Rectifiers	Page 43
2A Bridge Rectifiers	Page 44
4A Bridge Rectifiers	Page 44
6A Bridge Rectifiers	Page 46
8A Bridge Rectifiers	Page 47
10A Bridge Rectifiers	Page 48
15A Bridge Rectifiers	Page 49
20A Bridge Rectifiers	Page 49
25A Bridge Rectifiers	Page 50
35A Bridge Rectifiers	Page 50

PROTECTION

TRANSIENT VOLTAGE SUPPRESSORS (TVS)

200W Transient Voltage Suppressors	Page 51
400W Transient Voltage Suppressors	Page 52
600W Transient Voltage Suppressors	Page 55
1500W Transient Voltage Suppressors	Page 57

CONTENTS

SMALL SIGNAL

SMALL SIGNAL SCHOTTKY BARRIER DIODES

0.2A Schottky Barrier Rectifiers	Page 59
0.5A Schottky Barrier Rectifiers	Page 59
1A Schottky Barrier Rectifiers	Page 59

SWITCHING DIODES

0.1A Switching Diodes	Page 60
0.125A Switching Diodes	Page 60
0.15A Switching Diodes	Page 60
0.2A Switching Diodes	Page 61
0.215A Switching Diodes	Page 61

TRANSISTORS	Page 62
-------------------	---------

TAPING AND PACKAGING	Page 63
----------------------------	---------

CASE DRAWINGS	Page 70
---------------------	---------

PAD LAYOUTS	Page 77
-------------------	---------

NUMERICAL INDEX

1.5KE100A	58	1.5KE51CA	58	AUBYD57ZDH	08	BEGC20JH	33	BYD17ZJLH	24
1.5KE100CA	58	1.5KE520A	58	AUBYD57ZGH	08	BEGC20KH	33	BYD17ZKH	24
1.5KE10A	58	1.5KE520CA	58	AUBYD57ZJH	08	BEGC20MH	33	BYD17ZKLH	24
1.5KE10CA	58	1.5KE550A	58	AUBYD57ZKH	08	BEGC30DH	34	BYD17ZMH	24
1.5KE110A	58	1.5KE550CA	58	AUBYD57ZMH	08	BEGC30GH	34	BYD17ZMLH	24
1.5KE110CA	58	1.5KE56A	58	AUMSCD012H	06	BEGC30JH	34	BYD187ZH	36
1.5KE11A	58	1.5KE56CA	58	AUMSCD014H	06	BEGC30KH	34	BYD37ZDH	29
1.5KE11CA	58	1.5KE6.8A	58	AUMSCD052H	06	BEGC30MH	34	BYD37ZGH	29
1.5KE120A	58	1.5KE6.8CA	58	AUMSCD053H	06	BGC20DH	26	BYD37ZJH	29
1.5KE120CA	58	1.5KE600A	58	AUMSCD054H	06	BGC20DLH	26	BYD37ZKH	29
1.5KE12A	58	1.5KE600CA	58	AUMSCD102H	06	BGC20GH	26	BYD37ZMH	29
1.5KE12CA	58	1.5KE62A	58	AUMSCD104H	06	BGC20GLH	26	BYD57ZDH	32
1.5KE130A	58	1.5KE62CA	58	AUMSCD106H	06	BGC20JH	26	BYD57ZGH	32
1.5KE130CA	58	1.5KE68A	58	AUMSCD202H	07	BGC20JLH	26	BYD57ZJH	32
1.5KE13A	58	1.5KE68CA	58	AUMSCD204H	07	BGC20KH	26	BYD57ZKH	32
1.5KE13CA	58	1.5KE7.5A	58	AUMSCD302H	07	BGC20KLH	26	BYD57ZMH	32
1.5KE150A	58	1.5KE7.5CA	58	AUMSCD304H	07	BGC20MH	26	BYD77ZDH	36
1.5KE150CA	58	1.5KE75A	58	AUMSCD306H	07	BGC20MLH	26	BYD77ZGH	36
1.5KE15A	58	1.5KE75CA	58	AUSCD110H	07	BGC30DH	27	CGC30DH	27
1.5KE15CA	58	1.5KE8.2A	58	AUSCD12H	07	BGC30DLH	27	CGC30DLH	27
1.5KE160A	58	1.5KE8.2CA	58	AUSCD14H	07	BGC30GH	27	CGC30GH	27
1.5KE160CA	58	1.5KE82A	58	AUSCD16H	07	BGC30GLH	27	CGC30GLH	27
1.5KE16A	58	1.5KE82CA	58	AUSCD210H	07	BGC30JH	27	CGC30JH	27
1.5KE16CA	58	1.5KE9.1A	58	AUSCD22H	07	BGC30JLH	27	CGC30JLH	27
1.5KE170A	58	1.5KE9.1CA	58	AUSCD24H	07	BGC30KH	27	CGC30KH	27
1.5KE170CA	58	1.5KE91A	58	AUSCD26H	07	BGC30KLH	27	CGC30KLH	27
1.5KE180A	58	1.5KE91CA	58	AUSCD310H	07	BGC30MH	27	CGC30MH	27
1.5KE180CA	58	1N4148GH	61	AUSCD32H	07	BGC30MLH	27	CGC30MLH	27
1.5KE18A	58	1N4148WGH	60	AUSCD34H	07	BRGC20DH	30	CSCD310H	13
1.5KE18CA	58	1N4148WSGH	60	AUSCD36H	07	BRGC20GH	30	CSCD32H	13
1.5KE200A	58	1N4148WTGH	60	AUSSCD052H	06	BRGC20JH	30	CSCD34H	13
1.5KE200CA	58	1N4148WTHC	60	AUSSCD054H	06	BRGC20KH	30	CSCD36H	13
1.5KE20A	58	1N5817	15	AUSSCD102H	07	BRGC20MH	30	CSCD510H	14
1.5KE20CA	58	1N5817H	15	AUSSCD104H	07	BRGC30DH	31	CSCD515H	14
1.5KE220A	58	1N5818	15	AUSSCD106H	07	BRGC30GH	31	CSCD52H	14
1.5KE220CA	58	1N5818H	15	AUSSCD110H	07	BRGC30JH	31	CSCD54H	14
1.5KE22A	58	1N5819	15	AUSSCD202H	07	BRGC30KH	31	CSCD56H	14
1.5KE22CA	58	1N5819H	15	AUSSCD204H	07	BRGC30MH	31	DF02	43
1.5KE24A	58	1N5820	17	AUSSCD206H	07	BSCD210H	12	DF02H	43
1.5KE24CA	58	1N5820H	17	AUSSCD210H	07	BSCD22H	12	DF02S	43
1.5KE250A	58	1N5821	17	AUSUGC10JH	08	BSCD24H	12	DF02SH	43
1.5KE250CA	58	1N5821H	17	AUUSCD012H	06	BSCD26H	12	DF04	43
1.5KE27A	58	1N5822	17	AUUSCD014H	06	BSCD310H	13	DF04H	43
1.5KE27CA	58	1N5822H	17	AUUSCD022H	06	BSCD32H	13	DF04S	43
1.5KE300A	58	1SS355GH	60	AUUSCD024H	06	BSCD34H	13	DF04SH	43
1.5KE300CA	58	1SS400GH	60	AUUSCD032H	06	BSCD34LH	13	DF06	43
1.5KE30A	58	A3PS10100UH	01	AUUSCD034H	06	BSCD36H	13	DF06H	43
1.5KE30CA	58	A3PS1045UALH	01	AUUSCD054H	06	BSCD510H	14	DF06S	43
1.5KE33A	58	A3PS1045UH	01	BAS16GH	61	BSCD545ULH	14	DF06SH	43
1.5KE33CA	58	A3PS1060UH	01	BAS16HT1GH	61	BSCD54DH	14	DF08	43
1.5KE350A	58	A3PS15100UH	01	BAS21GH	61	BSCD54H	14	DF08H	43
1.5KE350CA	58	A3PS1545UH	01	BAS21HT1GH	61	BSCD56H	14	DF08S	43
1.5KE36A	58	A3PS1550UH	01	BAT54AWGH	59	BSCD84H	14	DF08SH	43
1.5KE36CA	58	A3PS1560UH	01	BAT54CWGH	59	BUGC20DH	37	DF10	43
1.5KE380A	58	A3PS20100UH	01	BAT54HT1GH	59	BUGC20GH	37	DF10H	43
1.5KE380CA	58	A3PS2045UH	01	BAT54RAGH	59	BUGC20JH	37	DF10S	43
1.5KE39A	58	A3PS2060UH	01	BAT54RCGH	59	BUGC20KH	37	DF10SH	43
1.5KE39CA	58	A3PS8100UH	01	BAT54RGH	59	BUGC30DH	38	DF1502	43
1.5KE400A	58	AUBYD167ZH	08	BAT54RSGH	59	BUGC30GH	38	DF1502H	43
1.5KE400CA	58	AUBYD17ZDH	08	BAT54SWG	59	BUGC30JH	38	DF1502S	44
1.5KE43A	58	AUBYD17ZDLH	08	BAT54WGH	59	BUGC30KH	38	DF1502SH	44
1.5KE43CA	58	AUBYD17ZGH	08	BAV70GH	61	BYD127ZH	36	DF1504	43
1.5KE440A	58	AUBYD17ZGLH	08	BAV70WGH	61	BYD147ZH	36	DF1504H	43
1.5KE440CA	58	AUBYD17ZJH	08	BAV99GH	61	BYD167ZH	36	DF1504S	44
1.5KE47A	58	AUBYD17ZJLH	08	BAV99WGH	61	BYD17ZDH	24	DF1504SH	44
1.5KE47CA	58	AUBYD17ZKH	08	BAW56GH	61	BYD17ZDLH	24	DF1506	43
1.5KE500A	58	AUBYD17ZKLH	08	BAW56WGH	61	BYD17ZGH	24	DF1506H	43
1.5KE500CA	58	AUBYD17ZMH	08	BEGC20DH	33	BYD17ZGLH	24	DF1506S	44
1.5KE51A	58	AUBYD17ZMLH	08	BEGC20GH	33	BYD17ZJH	24	DF1506SH	44

NUMERICAL INDEX

DF1508	43	EGZ16GCF	35	GBJ8GH	47	GBU406H	46	GF10Q	25
DF1508H	43	EGZ16GCT	35	GBJ8J	47	GBU406LC	46	GF10Y	25
DF1508S	44	EGZ16JCF	35	GBJ8JH	47	GBU408	46	GF20D	27
DF1508SH	44	EGZ16JCT	35	GBJ8K	47	GBU408H	46	GF20DL	27
DF1510	43	EGZ20DCF	35	GBJ8KH	47	GBU408LC	46	GF20G	27
DF1510H	43	EGZ20DCT	35	GBJ8M	47	GBU410	46	GF20GL	27
DF1510S	44	EGZ20GCF	35	GBJ8MH	47	GBU410H	46	GF20J	27
DF1510SH	44	EGZ20GCT	35	GBL02	45	GBU410LC	46	GF20JL	27
EG110D	32	EGZ20JCF	35	GBL02H	45	GBU602	46	GF20K	27
EG110G	32	EGZ20JCT	35	GBL02LS	45	GBU602H	47	GF20KL	27
EG110J	32	G110D	25	GBL04	45	GBU602LC	47	GF20M	27
EG110K	32	G110DL	25	GBL04H	45	GBU604	46	GF20ML	27
EG110M	32	G110G	25	GBL04LS	45	GBU604H	47	GF30D	28
EGC10DH	32	G110GL	25	GBL06	45	GBU604LC	47	GF30DL	28
EGC10GH	32	G110J	25	GBL06H	45	GBU606	46	GF30G	28
EGC10JH	32	G110JL	25	GBL06LS	45	GBU606H	47	GF30GL	28
EGC10KH	32	G110K	25	GBL08	45	GBU606LC	47	GF30J	28
EGC10MH	32	G110KL	25	GBL08H	45	GBU608	46	GF30JL	28
EGC20DH	33	G110M	25	GBL08LS	45	GBU608H	47	GF30K	28
EGC20GH	33	G110ML	25	GBL10	45	GBU608LC	47	GF30KL	28
EGC20JH	33	GBJ10D	48	GBL10H	45	GBU610	46	GF30M	28
EGC20KH	33	GBJ10DH	48	GBL10LS	45	GBU610H	47	GF30ML	28
EGC20MH	33	GBJ10G	48	GBP202	44	GBU610LC	47	GP02-20	25
EGF10D	33	GBJ10GH	48	GBP202H	44	GBU802	47	GP100G	28
EGF10G	33	GBJ10J	48	GBP204	44	GBU802H	47	GP100GC	28
EGF10J	33	GBJ10JH	48	GBP204H	44	GBU802LC	48	GP10D	25
EGF10K	33	GBJ10K	48	GBP206	44	GBU804	47	GP10DL	25
EGF10M	33	GBJ10KH	48	GBP206H	44	GBU804H	47	GP10G	25
EGF20D	33	GBJ10M	48	GBP208	44	GBU804LC	48	GP10GL	25
EGF20G	33	GBJ10MH	48	GBP208H	44	GBU806	47	GP10J	25
EGF20J	33	GBJ15D	49	GBP210	44	GBU806H	47	GP10JL	25
EGF20K	33	GBJ15DH	49	GBP210H	44	GBU806LC	48	GP10K	25
EGF20M	33	GBJ15G	49	GBPC2502	50	GBU808	47	GP10KL	25
EGF30D	34	GBJ15GH	49	GBPC2504	50	GBU808H	47	GP10M	25
EGF30G	34	GBJ15J	49	GBPC2506	50	GBU808LC	48	GP10ML	25
EGF30J	34	GBJ15JH	49	GBPC2508	50	GBU810	47	GP10Q	25
EGF30K	34	GBJ15JLB	49	GBPC2510	50	GBU810H	47	GP10V	25
EGF30M	34	GBJ15K	49	GBPC3502	50	GBU810LC	48	GP10Y	25
EGP10D	32	GBJ15KH	49	GBPC3504	50	GC10DH	24	GP20D	26
EGP10G	32	GBJ15KLB	49	GBPC3506	50	GC10DLH	24	GP20DL	26
EGP10J	32	GBJ15M	49	GBPC3508	50	GC10GLH	24	GP20G	26
EGP10K	32	GBJ15MH	49	GBPC3510	50	GC10GL	24	GP20GL	26
EGP10M	32	GBJ15MLB	49	GBPS402LF	44	GC10JH	24	GP20J	26
EGP20D	33	GBJ20D	49	GBPS404LF	44	GC10JLH	24	GP20JL	26
EGP20G	33	GBJ20DH	49	GBPS406LF	44	GC10KH	24	GP20K	26
EGP20J	33	GBJ20G	49	GBPS408LF	44	GC10KLH	24	GP20KL	26
EGP20K	33	GBJ20GH	49	GBPS410LF	44	GC10MLH	24	GP20M	26
EGP20M	33	GBJ20J	49	GBU1002	48	GC10ML	24	GP20ML	26
EGP30D	34	GBJ20JH	49	GBU1002H	48	GC20DH	26	GP30D	28
EGP30G	34	GBJ20K	49	GBU1002LC	48	GC20DLH	26	GP30DL	28
EGP30J	34	GBJ20KH	49	GBU1004	48	GC20GH	26	GP30G	28
EGP30K	34	GBJ20M	49	GBU1004H	48	GC20GLH	26	GP30GL	28
EGP30M	34	GBJ20MH	49	GBU1004LC	48	GC20JH	26	GP30J	28
EGP50D	34	GBJ25D	50	GBU1006	48	GC20JLH	26	GP30JL	28
EGP50G	34	GBJ25DH	50	GBU1006H	48	GC20KH	26	GP30K	28
EGZ10DCF	35	GBJ25G	50	GBU1006LC	48	GC20KLH	26	GP30KL	28
EGZ10DCT	35	GBJ25GH	50	GBU1008	48	GC20MLH	26	GP30M	28
EGZ10GCF	35	GBJ25J	50	GBU1008H	48	GC20ML	26	GP30ML	28
EGZ10GCT	35	GBJ25JH	50	GBU1008LC	48	GF02-20	25	KBJ4D	44
EGZ10JCF	35	GBJ25JLB	50	GBU1010	48	GF10D	25	KBJ4DH	45
EGZ10JCT	35	GBJ25K	50	GBU1010H	48	GF10DL	25	KBJ4G	44
EGZ12DCF	35	GBJ25KH	50	GBU1010LC	48	GF10G	25	KBJ4GH	45
EGZ12DCT	35	GBJ25KLB	50	GBU402	46	GF10GL	25	KBJ4J	44
EGZ12GCF	35	GBJ25M	50	GBU402H	46	GF10J	25	KBJ4JH	45
EGZ12GCT	35	GBJ25MH	50	GBU402LC	46	GF10JL	25	KBJ4K	44
EGZ12JCF	35	GBJ25MLB	50	GBU404	46	GF10K	25	KBJ4KH	45
EGZ12JCT	35	GBJ8D	47	GBU404H	46	GF10KL	25	KBJ4M	44
EGZ16DCF	35	GBJ8DH	47	GBU404LC	46	GF10M	25	KBJ4MH	45
EGZ16DCT	35	GBJ8G	47	GBU406	46	GF10ML	25	KBJ6D	46

NUMERICAL INDEX

KBJ6DH	46	MSCD014H	09	P4KE300A	54	P6KE150CA	56	P6KE75A	56
KBJ6G	46	MSCD014RH	09	P4KE300CA	54	P6KE15A	56	P6KE75CA	56
KBJ6GH	46	MSCD022H	09	P4KE30A	54	P6KE15CA	56	P6KE8.2A	56
KBJ6J	46	MSCD024H	09	P4KE30CA	54	P6KE160A	56	P6KE8.2CA	56
KBJ6JH	46	MSCD032H	10	P4KE33A	54	P6KE160CA	56	P6KE82A	56
KBJ6K	46	MSCD034H	10	P4KE33CA	54	P6KE16A	56	P6KE82CA	56
KBJ6KH	46	MSCD036H	10	P4KE350A	54	P6KE16CA	56	P6KE9.1A	56
KBJ6M	46	MSCD052H	10	P4KE350CA	54	P6KE170A	56	P6KE9.1CA	56
KBJ6MH	46	MSCD053H	10	P4KE36A	54	P6KE170CA	56	P6KE91A	56
KBL02	45	MSCD053RH	10	P4KE36CA	54	P6KE180A	56	P6KE91CA	56
KBL02H	45	MSCD054H	10	P4KE380A	54	P6KE180CA	56	RB411DGH	59
KBL04	45	MSCD102H	11	P4KE380CA	54	P6KE18A	56	RB491DGH	59
KBL04H	45	MSCD102LH	11	P4KE39A	54	P6KE18CA	56	RB520G-30GH	09
KBL06	45	MSCD104H	11	P4KE39CA	54	P6KE200A	56	RB521G-30GH	09
KBL06H	45	MSCD104LH	11	P4KE400A	54	P6KE200CA	56	RBU023RH	09
KBL08	45	MSCD104RH	11	P4KE400CA	54	P6KE20A	56	RG110D	29
KBL08H	45	MSCD106H	11	P4KE43A	54	P6KE20CA	56	RG110G	29
KBL10	45	MSCD106RH	11	P4KE43CA	54	P6KE220A	56	RG110J	29
KBL10H	45	MSCD202H	12	P4KE440A	54	P6KE220CA	56	RG110K	29
LL4148GH	61	MSCD204H	12	P4KE440CA	54	P6KE22A	56	RG110M	29
LX08MS	41	MSCD302H	13	P4KE47A	54	P6KE22CA	56	RGC10DH	29
LX10M	41	MSCD304H	13	P4KE47CA	54	P6KE24A	56	RGC10GH	29
MBC08JH	41	MSCD306H	13	P4KE500A	54	P6KE24CA	56	RGC10JH	29
MBC08KH	41	MUR420	38	P4KE500CA	54	P6KE250A	56	RGC10KH	29
MBC08MH	41	MUR460	38	P4KE51A	54	P6KE250CA	56	RGC10MH	29
MBC10JH	41	P4KE100A	54	P4KE51CA	54	P6KE27A	56	RGC10MLH	29
MBC10KH	41	P4KE100CA	54	P4KE520A	54	P6KE27CA	56	RGC20DH	30
MBC10MH	41	P4KE10A	54	P4KE520CA	54	P6KE300A	56	RGC20GH	30
MBCR10JH	41	P4KE10CA	54	P4KE550A	54	P6KE300CA	56	RGC20JH	30
MBCR10JLH	41	P4KE110A	54	P4KE550CA	54	P6KE30A	56	RGC20KH	30
MBCR10KH	41	P4KE110CA	54	P4KE56A	54	P6KE30CA	56	RGC20MH	30
MBCR10KLH	41	P4KE11A	54	P4KE56CA	54	P6KE33A	56	RGF10D	30
MBCR10MH	41	P4KE11CA	54	P4KE6.8A	54	P6KE33CA	56	RGF10J	30
MBCR10MLH	41	P4KE120A	54	P4KE6.8CA	54	P6KE350A	56	RGF10J	30
MBCR10MPH	41	P4KE120CA	54	P4KE600A	54	P6KE350CA	56	RGF10JA	30
MBR10100CFSH	21	P4KE12A	54	P4KE600CA	54	P6KE36A	56	RGF10K	30
MBR10100CTSH	21	P4KE12CA	54	P4KE62A	54	P6KE36CA	56	RGF10KA	30
MBR10150CFSH	21	P4KE130A	54	P4KE62CA	54	P6KE380A	56	RGF10M	30
MBR10150CTSH	21	P4KE130CA	54	P4KE68A	54	P6KE380CA	56	RGF10MA	30
MBR10200CFSH	21	P4KE13A	54	P4KE68CA	54	P6KE39A	56	RGF20D	31
MBR10200CTSH	21	P4KE13CA	54	P4KE7.5A	54	P6KE39CA	56	RGF20G	31
MBR20100CFSH	22	P4KE150A	54	P4KE7.5CA	54	P6KE400A	56	RGF20J	31
MBR20100CTSH	22	P4KE150CA	54	P4KE75A	54	P6KE400CA	56	RGF20JA	31
MBR20150CFSH	22	P4KE15A	54	P4KE75CA	54	P6KE43A	56	RGF20K	31
MBR20150CTSH	22	P4KE15CA	54	P4KE8.2A	54	P6KE43CA	56	RGF20KA	31
MBR20200CFSH	22	P4KE160A	54	P4KE8.2CA	54	P6KE440A	56	RGF20M	31
MBR20200CTSH	22	P4KE160CA	54	P4KE82A	54	P6KE440CA	56	RGF20MA	31
MBR30100CFSH	23	P4KE16A	54	P4KE82CA	54	P6KE47A	56	RGF30D	31
MBR30100CTSH	22	P4KE16CA	54	P4KE9.1A	54	P6KE47CA	56	RGF30G	31
MBR30150CFSH	23	P4KE170A	54	P4KE9.1CA	54	P6KE500A	56	RGF30J	31
MBR30150CTSH	22	P4KE170CA	54	P4KE91A	54	P6KE500CA	56	RGF30JA	31
MBR30200CFSH	23	P4KE180A	54	P4KE91CA	54	P6KE51A	56	RGF30K	31
MBR30200CTSH	22	P4KE180CA	54	P6KE100A	56	P6KE51CA	56	RGF30KA	31
MMBD2836GH	60	P4KE18A	54	P6KE100CA	56	P6KE520A	56	RGF30M	31
MMBD2838GH	60	P4KE18CA	54	P6KE10A	56	P6KE520CA	56	RGF30MA	31
MMBD7000GH	61	P4KE200A	54	P6KE10CA	56	P6KE550A	56	RGP02-12	30
MMBD914GH	61	P4KE200CA	54	P6KE110A	56	P6KE550CA	56	RGP02-15	30
MMBT2222AGH	62	P4KE20A	54	P6KE110CA	56	P6KE56A	56	RGP02-18	30
MMBT2907AGH	62	P4KE20CA	54	P6KE11CA	56	P6KE56CA	56	RGP02-20	30
MMBT3904GH	62	P4KE220A	54	P6KE11CA	56	P6KE6.8A	56	RGP10D	29
MMBT3904WGH	62	P4KE220CA	54	P6KE120A	56	P6KE6.8CA	56	RGP10G	29
MMBT3906GH	62	P4KE22A	54	P6KE120CA	56	P6KE600A	56	RGP10J	29
MMBT3906WGH	62	P4KE22CA	54	P6KE12A	56	P6KE600CA	56	RGP10JA	29
MMBT4401GH	62	P4KE24A	54	P6KE12CA	56	P6KE62A	56	RGP10K	29
MMBT4403GH	62	P4KE24CA	54	P6KE130A	56	P6KE62CA	56	RGP10KA	29
MMBT5401GH	62	P4KE250A	54	P6KE130CA	56	P6KE68A	56	RGP10M	29
MMBT5551GH	62	P4KE250CA	54	P6KE13A	56	P6KE68CA	56	RGP10MA	29
MMDL914T1GH	61	P4KE27A	54	P6KE13CA	56	P6KE7.5A	56	RGP20D	30
MSCD012H	09	P4KE27CA	54	P6KE150A	56	P6KE7.5CA	56	RGP20G	30

NUMERICAL INDEX

RGP20J.....	30	SBL1060CTSH	21	SCD315H.....	13	SMAJ160CA	53	SMAJ7.0A	53
RGP20JA.....	30	SBL1060UCFS	21	SCD320H.....	13	SMAJ16A	53	SMAJ7.0CA	53
RGP20K.....	30	SBL1060UCTS	21	SCD32H.....	13	SMAJ16CA	53	SMAJ7.5A	53
RGP20KA.....	30	SBL2040CFSH	22	SCD32LH.....	13	SMAJ170A	53	SMAJ7.5CA	53
RGP20M.....	30	SBL2040CTSH	22	SCD33PH.....	13	SMAJ170CA	53	SMAJ70A	53
RGP20MA.....	30	SBL2045CFSH	22	SCD345H.....	13	SMAJ17A	53	SMAJ70CA	53
RGP30D.....	31	SBL2045CTSH	22	SCD345PH.....	13	SMAJ17CA	53	SMAJ75A	53
RGP30G.....	31	SBL2045UCFS	22	SCD345UH.....	13	SMAJ180A	53	SMAJ75CA	53
RGP30J.....	31	SBL2045UCTS	21	SCD34DH.....	13	SMAJ180CA	53	SMAJ78A	53
RGP30JA.....	31	SBL2060CFSH	22	SCD34H.....	13	SMAJ18A	53	SMAJ78CA	53
RGP30K.....	31	SBL2060CTSH	22	SCD34LH.....	13	SMAJ18CA	53	SMAJ8.0A	53
RGP30KA.....	31	SBL2060UCFS	22	SCD34MH.....	13	SMAJ190A	53	SMAJ8.0CA	53
RGP30M.....	31	SBL2060UCTS	21	SCD34TH.....	13	SMAJ190CA	53	SMAJ8.5A	53
RGP30MA.....	31	SBL3040CFSH	23	SCD36H.....	13	SMAJ19A	53	SMAJ8.5CA	53
SB1100.....	15	SBL3040CTSH	22	SCD36MH.....	13	SMAJ19CA	53	SMAJ80A	53
SB1100H.....	15	SBL3045CFSH	23	SCD36RH.....	13	SMAJ200A	53	SMAJ80CA	53
SB120.....	15	SBL3045CTSH	22	SCD53H.....	14	SMAJ200CA	53	SMAJ85A	53
SB120H.....	15	SBL3045UCFS	23	SCD545H.....	14	SMAJ20A	53	SMAJ85CA	53
SB140.....	15	SBL3045UCTS	22	SCD545UH.....	14	SMAJ20CA	53	SMAJ9.0A	53
SB140H.....	15	SBL3045UDCFS	23	SCD54H.....	14	SMAJ220A	53	SMAJ9.0CA	53
SB160.....	15	SBL3045UDCTS	22	SCD5817H.....	11	SMAJ220CA	53	SMAJ90A	53
SB160H.....	15	SBL3060CFSH	23	SCD5818H.....	11	SMAJ22A	53	SMAJ90CA	53
SB2100.....	16	SBL3060CTSH	22	SCD5819H.....	11	SMAJ22CA	53	SMBC104H.....	20
SB2100H.....	16	SBL3060UCFS	23	SEGC10DH.....	32	SMAJ24A	53	SMBC104LH.....	20
SB2150.....	16	SBL3060UCTS	22	SEGC10GH.....	32	SMAJ24CA	53	SMBC106H.....	20
SB2150H.....	16	SBL3060UDCFS	23	SEGC10JH.....	32	SMAJ250A	53	SMBC110H.....	20
SB220.....	16	SBL3060UDCTS	22	SEGC10KH.....	32	SMAJ250CA	53	SMBC204H.....	20
SB2200.....	16	SBL4045UCFS	23	SEGC10MH.....	32	SMAJ26A	53	SMBC204LH.....	20
SB2200H.....	16	SBL4045UCTS	23	SGC10DH.....	24	SMAJ26CA	53	SMBC206H.....	20
SB220H.....	16	SBL4060UCFS	23	SGC10DLH.....	24	SMAJ28A	53	SMBC210H.....	20
SB240.....	16	SBL4060UCTS	23	SGC10GH.....	24	SMAJ28CA	53	SMBC304MH.....	20
SB240H.....	16	SC310.....	16	SGC10GLH.....	24	SMAJ300A	53	SMBC306MH.....	20
SB260.....	16	SC310H.....	17	SGC10JH.....	24	SMAJ300CA	53	SMBJ100A.....	55
SB260H.....	16	SC32.....	16	SGC10JLH.....	24	SMAJ30A	53	SMBJ100CA.....	55
SB3100.....	17	SC32H.....	17	SGC10KH.....	24	SMAJ30CA	53	SMBJ10A.....	55
SB3100H.....	17	SC34.....	16	SGC10KLH.....	24	SMAJ33A	53	SMBJ10CA.....	55
SB3150.....	17	SC34H.....	17	SGC10MH.....	24	SMAJ33CA	53	SMBJ110A.....	55
SB3150H.....	17	SC36.....	16	SGC10MLH.....	24	SMAJ350A	53	SMBJ110CA.....	55
SB320.....	17	SC36H.....	17	SLX104MH.....	19	SMAJ350CA	53	SMBJ11A.....	55
SB3200.....	17	SC510.....	17	SLX106UH.....	19	SMAJ36A	53	SMBJ11CA.....	55
SB3200H.....	17	SC510H.....	18	SLX204MAH.....	19	SMAJ36CA	53	SMBJ120A.....	55
SB320H.....	17	SC52.....	17	SLX204MH.....	19	SMAJ400A	53	SMBJ120CA.....	55
SB340.....	17	SC52H.....	18	SLX204UH.....	19	SMAJ400CA	53	SMBJ12A.....	55
SB340H.....	17	SC54.....	17	SLX206UH.....	19	SMAJ40A	53	SMBJ12CA.....	55
SB360.....	17	SC54H.....	18	SMAJ100A.....	53	SMAJ40CA	53	SMBJ130A.....	55
SB360H.....	17	SC56.....	17	SMAJ100CA.....	53	SMAJ43A	53	SMBJ130CA.....	55
SB5100.....	18	SC56H.....	18	SMAJ10A.....	53	SMAJ43CA	53	SMBJ13A.....	55
SB5100H.....	18	SCD110H.....	11	SMAJ10CA.....	53	SMAJ440A.....	53	SMBJ13CA.....	55
SB5150.....	18	SCD115H.....	11	SMAJ110A.....	53	SMAJ440CA.....	53	SMBJ140A.....	55
SB5150H.....	18	SCD120H.....	11	SMAJ110CA.....	53	SMAJ45A.....	53	SMBJ140CA.....	55
SB520.....	18	SCD12H.....	11	SMAJ11A.....	53	SMAJ45CA.....	53	SMBJ14A.....	55
SB5200.....	18	SCD12LH.....	11	SMAJ11CA.....	53	SMAJ48A.....	53	SMBJ14CA.....	55
SB5200H.....	18	SCD14H.....	11	SMAJ120A.....	53	SMAJ48CA.....	53	SMBJ150A.....	55
SB520H.....	18	SCD14LH.....	11	SMAJ120CA.....	53	SMAJ5.0A.....	53	SMBJ150CA.....	55
SB540.....	18	SCD14RH.....	11	SMAJ12A.....	53	SMAJ5.0CA.....	53	SMBJ15A.....	55
SB540H.....	18	SCD16H.....	11	SMAJ12CA.....	53	SMAJ51A.....	53	SMBJ15CA.....	55
SB560.....	18	SCD16LH.....	11	SMAJ130A.....	53	SMAJ51CA.....	53	SMBJ160A.....	55
SB560H.....	18	SCD210H.....	12	SMAJ130CA.....	53	SMAJ54A.....	53	SMBJ160CA.....	55
SB840.....	18	SCD215H.....	12	SMAJ13A.....	53	SMAJ54CA.....	53	SMBJ16A.....	55
SB840H.....	18	SCD220H.....	12	SMAJ13CA.....	53	SMAJ58A.....	53	SMBJ16CA.....	55
SB860.....	18	SCD22H.....	12	SMAJ140A.....	53	SMAJ58CA.....	53	SMBJ170A.....	55
SB860H.....	18	SCD22LH.....	12	SMAJ140CA.....	53	SMAJ6.0A.....	53	SMBJ170CA.....	55
SBL1040CFSH.....	21	SCD245UH.....	12	SMAJ14A.....	53	SMAJ6.0CA.....	53	SMBJ17A.....	55
SBL1040CTSH.....	21	SCD24DH.....	12	SMAJ14CA.....	53	SMAJ6.5A.....	53	SMBJ17CA.....	55
SBL1045CFSH.....	21	SCD24H.....	12	SMAJ150A.....	53	SMAJ6.5CA.....	53	SMBJ180A.....	55
SBL1045CTSH.....	21	SCD24LH.....	12	SMAJ150CA.....	53	SMAJ60A.....	53	SMBJ180CA.....	55
SBL1045UCFS.....	21	SCD24UH.....	12	SMAJ15A.....	53	SMAJ60CA.....	53	SMBJ18A.....	55
SBL1045UCTS.....	21	SCD26H.....	12	SMAJ15CA.....	53	SMAJ64A.....	53	SMBJ18CA.....	55
SBL1060CFSH.....	21	SCD310H.....	13	SMAJ160A.....	53	SMAJ64CA.....	53	SMBJ190A.....	55

NUMERICAL INDEX

SMBJ190CA	55	SMBJ8.5A	55	SMCJ30CA	57	SS16H	15	STCD13AH	51
SMBJ19A	55	SMBJ8.5CA	55	SMCJ33A	57	SS210	15	STCD13CAH	51
SMBJ19CA	55	SMBJ80A	55	SMCJ33CA	57	SS210H	16	STCD140AH	51
SMBJ200A	55	SMBJ80CA	55	SMCJ350A	57	SS22	15	STCD140CAH	51
SMBJ200CA	55	SMBJ85A	55	SMCJ350CA	57	SS22H	16	STCD14AH	51
SMBJ20A	55	SMBJ85CA	55	SMCJ36A	57	SS24	15	STCD14CAH	51
SMBJ20CA	55	SMBJ9.0A	55	SMCJ36CA	57	SS24H	16	STCD150AH	51
SMBJ220A	55	SMBJ9.0CA	55	SMCJ400A	57	SS26	15	STCD150CAH	51
SMBJ220CA	55	SMBJ90A	55	SMCJ400CA	57	SS26H	16	STCD15AH	51
SMBJ22A	55	SMBJ90CA	55	SMCJ40A	57	SS310	16	STCD15CAH	51
SMBJ24A	55	SMCJ100A	57	SMCJ40A	57	SS310H	16	STCD160AH	51
SMBJ24CA	55	SMCJ100CA	57	SMCJ43A	57	SS32	16	STCD160CAH	51
SMBJ250A	55	SMCJ10A	57	SMCJ43CA	57	SS32H	16	STCD16AH	51
SMBJ250CA	55	SMCJ10CA	57	SMCJ440A	57	SS34	16	STCD16CAH	51
SMBJ26A	55	SMCJ110A	57	SMCJ440CA	57	SS34H	16	STCD170AH	51
SMBJ26CA	55	SMCJ110CA	57	SMCJ45A	57	SS36	16	STCD170CAH	51
SMBJ28A	55	SMCJ11A	57	SMCJ45CA	57	SS36H	16	STCD17AH	51
SMBJ28CA	55	SMCJ11CA	57	SMCJ48A	57	SSCD052H	10	STCD17CAH	51
SMBJ300A	55	SMCJ120A	57	SMCJ48CA	57	SSCD052SH	10	STCD180AH	51
SMBJ300CA	55	SMCJ12A	57	SMCJ5.0A	57	SSCD052TH	10	STCD180CAH	51
SMBJ30A	55	SMCJ12CA	57	SMCJ5.0CA	57	SSCD054H	10	STCD180CAH	51
SMBJ30CA	55	SMCJ12CA	57	SMCJ51A	57	SSCD054SH	10	STCD18CAH	51
SMBJ33A	55	SMCJ130A	57	SMCJ51CA	57	SSCD056H	10	STCD190AH	51
SMBJ33CA	55	SMCJ13A	57	SMCJ54A	57	SSCD056SH	10	STCD190CAH	51
SMBJ350A	55	SMCJ13CA	57	SMCJ54CA	57	SSCD102H	11	STCD19AH	51
SMBJ350CA	55	SMCJ140A	57	SMCJ58A	57	SSCD102LH	11	STCD19CAH	51
SMBJ36A	55	SMCJ140CA	57	SMCJ6.0A	57	SSCD102LSH	11	STCD20AH	51
SMBJ36CA	55	SMCJ14A	57	SMCJ6.0CA	57	SSCD102SH	11	STCD20CAH	51
SMBJ400A	55	SMCJ14CA	57	SMCJ6.5A	57	SSCD104H	11	STCD22AH	51
SMBJ400CA	55	SMCJ150A	57	SMCJ6.5CA	57	SSCD104LH	11	STCD22CAH	51
SMBJ40A	55	SMCJ150CA	57	SMCJ6A	57	SSCD104LSH	11	STCD24AH	51
SMBJ40CA	55	SMCJ15A	57	SMCJ60A	57	SSCD104RH	11	STCD24CAH	51
SMBJ43A	55	SMCJ160A	57	SMCJ60CA	57	SSCD104RSH	11	STCD26AH	51
SMBJ43CA	55	SMCJ16A	57	SMCJ64A	57	SSCD104SH	11	STCD26CAH	51
SMBJ440A	55	SMCJ16CA	57	SMCJ64CA	57	SSCD104TH	11	STCD28AH	51
SMBJ440CA	55	SMCJ17A	57	SMCJ7.0A	57	SSCD104TSH	11	STCD28CAH	51
SMBJ45A	55	SMCJ170A	57	SMCJ7.0CA	57	SSCD106H	11	STCD30AH	51
SMBJ45CA	55	SMCJ170CA	57	SMCJ7.5A	57	SSCD106SH	11	STCD30CAH	51
SMBJ48A	55	SMCJ17A	57	SMCJ7.5CA	57	SSCD110H	11	STCD33AH	51
SMBJ48CA	55	SMCJ17CA	57	SMCJ70A	57	SSCD110SH	11	STCD33CAH	51
SMBJ5.0A	55	SMCJ180A	57	SMCJ70CA	57	SSCD115H	11	STCD36AH	51
SMBJ5.0CA	55	SMCJ18A	57	SMCJ75A	57	SSCD120H	11	STCD36CAH	51
SMBJ51A	55	SMCJ18CA	57	SMCJ78A	57	SSCD202H	12	STCD40AH	51
SMBJ51CA	55	SMCJ190A	57	SMCJ78CA	57	SSCD202LH	12	STCD40CAH	51
SMBJ54A	55	SMCJ19A	57	SMCJ8.0A	57	SSCD202SH	12	STCD43AH	51
SMBJ54CA	55	SMCJ190A	57	SMCJ8.0CA	57	SSCD204H	12	STCD43CAH	51
SMBJ58A	55	SMCJ19CA	57	SMCJ8.5A	57	SSCD204LH	12	STCD45AH	51
SMBJ58CA	55	SMCJ19A	57	SMCJ8.5CA	57	SSCD204SH	12	STCD45CAH	51
SMBJ6.0A	55	SMCJ200A	57	SMCJ8.5CA	57	SSCD204USH	12	STCD48AH	51
SMBJ6.0CA	55	SMCJ200CA	57	SMCJ80A	57	SSCD206H	12	STCD48CAH	51
SMBJ6.5A	55	SMCJ20A	57	SMCJ80CA	57	SSCD206SH	12	STCD5.0AH	51
SMBJ6.5CA	55	SMCJ20CA	57	SMCJ85A	57	SSCD210H	12	STCD5.0CAH	51
SMBJ60A	55	SMCJ220A	57	SMCJ85CA	57	SSCD210SH	12	STCD51AH	51
SMBJ64A	55	SMCJ22A	57	SMCJ9.0A	57	SSCD304SH	13	STCD51CAH	51
SMBJ64CA	55	SMCJ22CA	57	SMCJ9.0CA	57	SSCD306SH	13	STCD54AH	51
SMBJ7.0A	55	SMCJ24A	57	SMCJ90A	57	STCD100AH	51	STCD54CAH	51
SMBJ7.0CA	55	SMCJ24CA	57	SMCJ90CA	57	STCD100CAH	51	STCD58AH	51
SMBJ7.5A	55	SMCJ250A	57	SRGC10DH	29	STCD10AH	51	STCD58CAH	51
SMBJ7.5CA	55	SMCJ250CA	57	SRGC10GH	29	STCD10CAH	51	STCD6.0AH	51
SMBJ70A	55	SMCJ26A	57	SRGC10JH	29	STCD110AH	51	STCD6.0CAH	51
SMBJ75A	55	SMCJ26CA	57	SRGC10KH	29	STCD110CAH	51	STCD6.5AH	51
SMBJ75CA	55	SMCJ28A	57	SRGC10MH	29	STCD11AH	51	STCD6.5CAH	51
SMBJ78A	55	SMCJ28CA	57	SS110	15	STCD11CAH	51	STCD60AH	51
SMBJ78CA	55	SMCJ300A	57	SS110H	15	STCD120AH	51	STCD60CAH	51
SMBJ8.0A	55	SMCJ300CA	57	SS12	15	STCD120CAH	51	STCD64AH	51
SMBJ8.0CA	55	SMCJ30A	57	SS12H	15	STCD12AH	51	STCD64CAH	51
				SS14	15	STCD12CAH	51	STCD7.0AH	51
				SS14H	15	STCD130AH	51	STCD7.0CAH	51
				SS16	15	STCD130CAH	51	STCD7.5AH	51

NUMERICAL INDEX

STCD7.5CAH.....51	TCD190CAH.....52	UGC10DH.....36	UGZ8JF.....39	Z3PK12100UH.....04
STCD70AH.....51	TCD19AH.....52	UGC10GH.....36	UGZ8JT.....39	Z3PK15100UH.....04
STCD70CAH.....51	TCD19CAH.....52	UGC10JH.....36	USCD012H.....09	Z3PK1545UH.....04
STCD75AH.....51	TCD20AH.....52	UGC10KH.....36	USCD014H.....09	Z3PK1545ULH.....04
STCD75CAH.....51	TCD20CAH.....52	UGC20DH.....37	USCD022H.....09	Z3PK1550UH.....04
STCD78AH.....51	TCD22AH.....52	UGC20GH.....37	USCD024H.....09	Z3PK1550ULH.....04
STCD78CAH.....51	TCD22CAH.....52	UGC20JH.....37	USCD024RH.....09	Z3PK20100H.....05
STCD8.0AH.....51	TCD24AH.....52	UGC20KH.....37	USCD024TH.....09	Z3PK20150H.....05
STCD8.0CAH.....51	TCD24CAH.....52	UGF10D.....37	USCD032H.....10	Z3PK20200H.....05
STCD8.5AH.....51	TCD26AH.....52	UGF10G.....37	USCD034H.....10	Z3PK2045H.....05
STCD8.5CAH.....51	TCD26CAH.....52	UGF10J.....37	USCD034RH.....10	Z3PK2045UH.....05
STCD80AH.....51	TCD28AH.....52	UGF10K.....37	USCD052H.....10	Z3PK2060H.....05
STCD80CAH.....51	TCD28CAH.....52	UGF20D.....38	USCD053H.....10	Z3PK340LH.....03
STCD85AH.....51	TCD30AH.....52	UGF20G.....38	USCD054H.....10	Z3PK5100H.....03
STCD85CAH.....51	TCD30CAH.....52	UGF20J.....38	Z1PK053H.....02	Z3PK5150H.....03
STCD9.0AH.....51	TCD33AH.....52	UGF20K.....38	Z1PK054H.....02	Z3PK5200H.....03
STCD9.0CAH.....51	TCD33CAH.....52	UGF30D.....38	Z1PK102H.....02	Z3PK540H.....03
STCD90AH.....51	TCD36AH.....52	UGF30G.....38	Z1PK102LH.....02	Z3PK540TH.....03
STCD90CAH.....51	TCD36CAH.....52	UGF30J.....38	Z1PK104H.....02	Z3PK545RH.....03
SUGC08KH.....36	TCD40AH.....52	UGF30K.....38	Z1PK104LH.....02	Z3PK545TH.....03
SUGC10DH.....36	TCD40CAH.....52	UGP10D.....37	Z1PK104SH.....02	Z3PK545UH.....03
SUGC10GH.....36	TCD43AH.....52	UGP10G.....37	Z1PK106H.....02	Z3PK560H.....03
SUGC10JH.....36	TCD43CAH.....52	UGP10J.....37	Z1PK106RH.....02	Z3PK8100H.....03
SUGC10KH.....36	TCD45AH.....52	UGP10K.....37	Z1PK110H.....02	Z3PK8100UH.....03
TBR10100CFS.....21	TCD45CAH.....52	UGP20D.....37	Z2APK310H.....03	Z3PK8150H.....03
TBR10100CTS.....21	TCD48AH.....52	UGP20G.....37	Z2APK315H.....03	Z3PK8200H.....03
TBR20100CFS.....22	TCD48CAH.....52	UGP20J.....37	Z2APK320H.....03	Z3PK845H.....03
TBR20100CTS.....21	TCD5.0AH.....52	UGP20K.....37	Z2APK34H.....03	Z3PK845UH.....03
TBR30100CFS.....23	TCD5.0CAH.....52	UGP30D.....38	Z2APK36H.....03	Z3PK860H.....03
TBR30100CTS.....22	TCD51AH.....52	UGP30G.....38	Z2APK510H.....03	Z3PK860ULH.....03
TBR40100CFS.....23	TCD51CAH.....52	UGP30J.....38	Z2APK515H.....03	Z4GP16MPH.....42
TBR40100CTS.....23	TCD54AH.....52	UGP30K.....38	Z2APK520H.....03	Z4GP20JH.....42
TCD100AH.....52	TCD54CAH.....52	UGP50D.....38	Z2APK54H.....03	Z4GP20JLH.....42
TCD100CAH.....52	TCD58AH.....52	UGP50G.....38	Z2APK54MH.....03	Z4GP20KH.....42
TCD10AH.....52	TCD58CAH.....52	UGP50J.....38	Z2APK56H.....03	Z4GP20MH.....42
TCD10CAH.....52	TCD6.0AH.....52	UGZ10DCF.....40	Z2PK102H.....02	Z4GP40JH.....42
TCD110AH.....52	TCD6.0CAH.....52	UGZ10DCT.....40	Z2PK104H.....02	Z4GP40JLH.....42
TCD110CAH.....52	TCD6.5AH.....52	UGZ10DF.....39	Z2PK104LH.....02	Z4GP40KH.....42
TCD11AH.....52	TCD6.5CAH.....52	UGZ10DT.....39	Z2PK106H.....02	Z4GP40MH.....42
TCD11CAH.....52	TCD60AH.....52	UGZ10GCF.....40	Z2PK110H.....02	Z4RGP20MH.....42
TCD120AH.....52	TCD60CAH.....52	UGZ10GCT.....40	Z2PK115H.....02	Z5TPK1045UH.....04
TCD120CAH.....52	TCD64AH.....52	UGZ10GF.....39	Z2PK120H.....02	Z5TPK1045ULH.....04
TCD12AH.....52	TCD64CAH.....52	UGZ10GT.....39	Z2PK202H.....02	Z5TPK1545UH.....04
TCD12CAH.....52	TCD7.0AH.....52	UGZ10JCF.....40	Z2PK204H.....02	Z5TPK1545ULH.....04
TCD130AH.....52	TCD7.0CAH.....52	UGZ10JCT.....40	Z2PK204LH.....02	Z5TPK2050UH.....05
TCD130CAH.....52	TCD7.5AH.....52	UGZ10JF.....39	Z2PK206H.....02	Z5TPK2050ULH.....05
TCD13AH.....52	TCD7.5CAH.....52	UGZ10JT.....39	Z2PK210H.....02	Z5TPK30100H.....05
TCD13CAH.....52	TCD70AH.....52	UGZ16DCF.....40	Z2PK210LH.....02	Z5TPK3050PH.....05
TCD140AH.....52	TCD70CAH.....52	UGZ16DCT.....40	Z2PK215H.....02	Z5TPK3050UH.....05
TCD140CAH.....52	TCD75AH.....52	UGZ16GCF.....40	Z2PK220H.....02	
TCD14AH.....52	TCD75CAH.....52	UGZ16GCT.....40	Z2PK304H.....02	
TCD14CAH.....52	TCD78AH.....52	UGZ16JCF.....40	Z2PK304RH.....02	
TCD150AH.....52	TCD78CAH.....52	UGZ16JCT.....40	Z2PK306H.....02	
TCD150CAH.....52	TCD8.0AH.....52	UGZ20DCF.....40	Z2PK310H.....02	
TCD15AH.....52	TCD8.0CAH.....52	UGZ20DCT.....40	Z3PK10100DH.....04	
TCD15CAH.....52	TCD8.5AH.....52	UGZ20GCF.....40	Z3PK10100UH.....04	
TCD160AH.....52	TCD8.5CAH.....52	UGZ20GCT.....40	Z3PK10150DH.....04	
TCD160CAH.....52	TCD80AH.....52	UGZ20JCF.....40	Z3PK10150UH.....04	
TCD16AH.....52	TCD80CAH.....52	UGZ20JCT.....40	Z3PK10200DH.....04	
TCD16CAH.....52	TCD85AH.....52	UGZ6DF.....39	Z3PK10200H.....04	
TCD170AH.....52	TCD85CAH.....52	UGZ6DT.....39	Z3PK1045DH.....04	
TCD170CAH.....52	TCD9.0AH.....52	UGZ6GF.....39	Z3PK1045H.....04	
TCD17AH.....52	TCD9.0CAH.....52	UGZ6GT.....39	Z3PK1045PH.....04	
TCD17CAH.....52	TCD90AH.....52	UGZ6JF.....39	Z3PK1045UH.....04	
TCD180AH.....52	TCD90CAH.....52	UGZ6JT.....39	Z3PK1045ULH.....04	
TCD180CAH.....52	UG110D.....36	UGZ8DF.....39	Z3PK1060DH.....04	
TCD18AH.....52	UG110G.....36	UGZ8DT.....39	Z3PK1060H.....04	
TCD18CAH.....52	UG110J.....36	UGZ8GF.....39	Z3PK1060ULH.....04	
TCD190AH.....52	UG110K.....36	UGZ8GT.....39		

**QUICK REFERENCE TABLE
SCHOTTKY BARRIER RECTIFIERS**

Halogen-free Patented With Superchip™ Technology

I _o (A)	V _{RM} (V)	SOD-723	0603 USCD SOD-523	0603-D RBU SOD-523	0805 MSCD SOD-323	Z1PAK Z1PK SOD-323	1206-S SSCD SOD-123	1206 SSCD SOD-123	Z2PAK Z2PK SOD-123
0.1	20		USCD012H AUUSCD012H		MSCD012H AUMSCD012H				
	30	RB520G-30GH RB521G-30GH							
	40		USCD014H AUUSCD014H		MSCD014H MSCD014RH AUMSCD014H				
0.2	20		USCD022H AUUSCD022H		MSCD022H				
	30			RBU023RH					
	40		USCD024H USCD024RH USCD024TH AUUSCD024H		MSCD024H				
0.3	20		USCD032H AUUSCD032H		MSCD032H				
	40		USCD034H USCD034RH AUUSCD034H		MSCD034H				
	60				MSCD036H				
0.5	20		USCD052H		MSCD052H AUMSCD052H		SSCD052SH	SSCD052H SSCD052TH AUSSCD052H	
	30		USCD053H		MSCD053H MSCD053RH AUMSCD053H	Z1PK053H			
	40		USCD054H AUUSCD054H		MSCD054H AUMSCD054H	Z1PK054H	SSCD054SH	SSCD054H AUSSCD054H	
	60						SSCD056SH	SSCD056H	
1	20				MSCD102H MSCD102LH AUMSCD102H	Z1PK102H Z1PK102LH	SSCD102SH SSCD102LSH	SSCD102H SSCD102LH AUSSCD102H	Z2PK102H
	40				MSCD104H MSCD104LH MSCD104RH AUMSCD104H	Z1PK104H Z1PK104LH Z1PK104RH	SSCD104SH SSCD104RSH SSCD104TSH SSCD104LSH	SSCD104H SSCD104RH SSCD104TH SSCD104LH AUSSCD104H	Z2PK104H Z2PK104LH
	60				MSCD106H MSCD106RH AUMSCD106H	Z1PK106H Z1PK106RH	SSCD106SH	SSCD106H AUSSCD106H	Z2PK106H
	100					Z1PK110H	SSCD110SH	SSCD110H AUSSCD110H	Z2PK110H
	150							SSCD115H	Z2PK115H
	200							SSCD120H	Z2PK120H

NOTE: The model name headed with "AU" is complying with AEC-Q101

SOD-723



0402



0603



0603-D



0805



Z1PAK



1206-S



1206



Z2PAK



**QUICK REFERENCE TABLE
SCHOTTKY BARRIER RECTIFIERS**

Halogen-free Patented With Superchip™ Technology

I _o (A)	V _{RM} (V)	0805 MSCD SOD-323	Z2PAK Z2PK SOD-123	1206-S SSCD SOD-123	1206 SSCD SOD-123	2010 SCD DO-214AC(SMA)	2114 BSCD DO-214AA(SMB)
1	20					SCD5817H SCD12H SCD12LH AUSCD12H	
	30					SCD5818H	
	40					SCD5819H SCD14H SCD14LH SCD14RH AUSCD14H	
	60					SCD16H AUSCD16H SCD16LH	
	100					SCD110H AUSCD110H	
	150					SCD115H	
	200					SCD120H	
2	20	MSCD202H AUMSCD202H	Z2PK202H	SSCD202SH	SSCD202H SSCD202LH AUSSCD202H	SCD22H SCD22LH AUSCD22H	BSCD22H
	40	MSCD204H AUMSCD204H	Z2PK204H Z2PK204LH	SSCD204SH SSCD204USH	SSCD204H SSCD204LH AUSSCD204H	SCD24H SCD24DH SCD24LH SCD24UH AUSCD24H	BSCD24H
	45					SCD245UH	
	60		Z2PK206H	SSCD206SH	SSCD206H AUSSCD206H	SCD26H AUSCD26H	BSCD26H
	100		Z2PK210H Z2PK210LH	SSCD210SH	SSCD210H AUSSCD210H	SCD210H AUSCD210H	BSCD210H
	150		Z2PK215H			SCD215H	
	200		Z2PK220H			SCD220H	

Halogen-free Patented With Superchip™ Technology

I _o (A)	V _{RM} (V)	0805 MSCD SOD-323	1206-S SSCD SOD-123	2010 SCD DO-214AC(SMA)	Z2PAK Z2PK SOD-123	Z2APAK Z2APK DO-214AC(SMA)	Z3PAK Z3PK TO-277	2114 BSCD DO-214AA(SMB)	3220 CSCD DO-214AB(SMC)
3	20	MSCD302H AUMSCD302H		SCD32H SCD32LH AUSCD32H				BSCD32H	CSCD32H
	30			SCD33PH					
	40	MSCD304H AUMSCD304H	SSCD304SH	SCD34H SCD34DH SCD34MH SCD34LH SCD34TH AUSCD34H	Z2PK304H Z2PK304RH	Z2APK34H	Z3PK340LH	BSCD34H BSCD34LH	CSCD34H
	45			SCD345H SCD345PH SCD345UH					
	60	MSCD306H AUMSCD306H	SSCD306SH	SCD36H SCD36MH SCD36RH AUSCD36H	Z2PK306H	Z2APK36H		BSCD36H	CSCD36H
	100			SCD310H AUSCD310H	Z2PK310H	Z2APK310H		BSCD310H	CSCD310H
	150			SCD315H		Z2APK315H			
200			SCD320H		Z2APK320H				

NOTE: The model name headed with " AU " is complying with AEC-Q101

0805



1206-S



1206



Z2PAK



2010



Z2APAK



Z3PAK



2114



3220



**QUICK REFERENCE TABLE
SCHOTTKY BARRIER RECTIFIERS**

Halogen-free Patented With Superchip™ Technology

I _o (A)	V _{RM} (V)	2010 SCD DO-214AC(SMA)	Z2PAK Z2APK DO-214AC(SMA)	Z3PAK Z3PK TO-277	2114 BSCD DO-214AA(SMB)	3220 CSCD DO-214AB(SMC)	A3PS A3PS TO-277	Z5PAK-T Z5TPK DO-214AB(SMC)
5	20					CSCD52H		
	30	SCD53H						
	40	SCD54H	Z2APK54H Z2APK54MH	Z3PK540H Z3PK540TH	BSCD54H BSCD54DH	CSCD54H		
	45	SCD545H SCD545UH		Z3PK545RH Z3PK545TH Z3PK545UH	BSCD545ULH			
	60		Z2APK56H	Z3PK560H	BSCD56H	CSCD56H		
	100		Z2APK510H	Z3PK5100H	BSCD510H	CSCD510H		
	150		Z2APK515H	Z3PK5150H		CSCD515H		
8	200		Z2APK520H	Z3PK5200H				
	40				BSCD84H			
	45			Z3PK845H Z3PK845UH				
	60			Z3PK860H Z3PK860ULH				
	100			Z3PK8100H Z3PK8100UH			A3PS8100UH	
	150			Z3PK8150H				
10	200			Z3PK8200H				
	45			Z3PK1045H Z3PK1045DH Z3PK1045PH Z3PK1045UH Z3PK1045ULH			A3PS1045UH A3PS1045UALH	Z5TPK1045UH Z5TPK1045ULH
	60			Z3PK1060H Z3PK1060DH Z3PK1060ULH			A3PS1060UH	
	100			Z3PK10100H Z3PK10100DH Z3PK10100UH			A3PS10100UH	
	150			Z3PK10150H Z3PK10150DH				
15	200			Z3PK10200H Z3PK10200DH				
	100			Z3PK12100UH				
	45			Z3PK1545UH Z3PK1545ULH			A3PS1545UH	Z5TPK1545UH Z5TPK1545ULH
	50			Z3PK1550UH Z3PK1550ULH			A3PS1550UH	
20	60						A3PS1560UH	
	100			Z3PK15100UH			A3PS15100UH	
	45			Z3PK2045H Z3PK2045UH			A3PS2045UH	
	50						A3PS2060UH	Z5TPK2050UH Z5TPK2050ULH
	60			Z3PK2060H				
	100			Z3PK20100H			A3PS20100UH	
30	150			Z3PK20150H				
	200			Z3PK20200H				
	50							Z5TPK3050UH Z5TPK3050PH
	100							Z5TPK30100H

2010



Z2PAK



Z3PAK



2114



3220



A3PS



Z5PAK-T



**QUICK REFERENCE TABLE
SCHOTTKY BARRIER RECTIFIERS**

Io (A)	V _{RM} (V)	DO-214AC SMA	DO-214AA SMB	DO-214AB SMC	DO-204AL DO-41	DO-201AD DO-27
1	20	SS12 SS12H			1N5817 1N5817H SB120 SB120H	
	30				1N5818 1N5818H	
	40	SS14 SS14H			1N5819 1N5819H SB140 SB140H	
	60	SS16 SS16H			SB160 SB160H	
	100	SS110 SS110H			SB1100 SB1100H	
2	20	SS22 SS22H			SB220 SB220H	
	40	SS24 SS24H			SB240 SB240H	
	60	SS26 SS26H			SB260 SB260H	
	100	SS210 SS210H			SB2100 SB2100H	
	150				SB2150 SB2150H	
	200				SB2200 SB2200H	
3	20		SS32 SS32H	SC32 SC32H		1N5820 1N5820H SB320 SB320H
	30					1N5821 1N5821H
	40		SS34 SS34H	SC34 SC34H		1N5822 1N5822H SB340 SB340H
	60		SS36 SS36H	SC36 SC36H		SB360 SB360H
	100		SS310 SS310H	SC310 SC310H		SB3100 SB3100H
	150					SB3150 SB3100H
	200					SB3200 SB3200H
5	20			SC52 SC52H		SB520 SB520H
	40			SC54 SC54H		SB540 SB540H
	60			SC56 SC56H		SB560 SB560H
	100			SC510 SC510H		SB5100 SB5100H
	150					SB5150 SB5150H
	200					SB5200 SB5200H
8	40					SB840 SB840H
	60					SB860 SB860H

DO-214AC(SMA)



DO-214AA(SMB)



DO-214AB(SMC)



DO-204AL(DO-41)



DO-201AD(DO-27)



**QUICK REFERENCE TABLE
SCHOTTKY BARRIER RECTIFIERS**

I_o (A)	V_{RM} (V)	TO-220AB	ITO-220AB
10	40	SBL1040CTSH	SBL1040CFSH
	45	SBL1045CTSH	SBL1045CFSH
		SBL1045UCTS	SBL1045UCFS
	60	SBL1060CTSH	SBL1060CFSH
		SBL1060UCTS	SBL1060UCFS
	100	MBR10100CTSH TBR10100CTS	MBR10100CFSH TBR10100CFS
150	MBR10150CTSH	MBR10150CFSH	
200	MBR10200CTSH	MBR10200CFSH	
20	40	SBL2040CTSH	SBL2040CFSH
	45	SBL2045CTSH	SBL2045CFSH
		SBL2045UCTS	SBL2045UCFS
	60	SBL2060CTSH	SBL2060CFSH
		SBL2060UCTS	SBL2060UCFS
	100	MBR20100CTSH TBR20100CTS	MBR20100CFSH TBR20100CFS
150	MBR20150CTSH	MBR20150CFSH	
200	MBR20200CTSH	MBR20200CFSH	
30	40	SBL3040CTSH	SBL3040CFSH
	45	SBL3045CTSH	SBL3045CFSH
		SBL3045UCTS	SBL3045UCFS
		SBL3045UDCTS	SBL3045UDCFS
	60	SBL3060CTSH	SBL3060CFSH
		SBL3060UCTS	SBL3060UCFS
SBL3060UDCTS	SBL3060UDCFS		
100	MBR30100CTSH TBR30100CTS	MBR30100CFSH TBR30100CFS	
150	MBR30150CTSH	MBR30150CFSH	
200	MBR30200CTSH	MBR30200CFSH	
40	45	SBL4045UCTS	SBL4045UCFS
	60	SBL4060UCTS	SBL4060UCFS
	100	TBR40100CTS	TBR40100CFS

TO-220AB



ITO-220AB



**QUICK REFERENCE TABLE
SCHOTTKY BRIDGE RECTIFIERS**

Halogen-free Patented With Superchip™ Technology

Io (A)	V _{RM} (V)	Schottky Bridge MBCN	Schottky Bridge MBC
1	40	SLX104MH	SMBC104H SMBC104LH
	60	SLX106UH	SMBC106H
	100		SMBC110H
2	40	SLX204MH SLX204MAH SLX204UH	SMBC204H SMBC204LH
	60		SMBC206H
	100	SLX206UH	SMBC210H
3	40		SMBC304MH
	60		SMBC306MH

**QUICK REFERENCE TABLE
SINTERED GLASS PASSIVATED JUNCTION BRIDGE RECTIFIERS**

Halogen-free Patented With Superchip™ Technology

Io (A)	V _{RM} (V)	Ultra Mini Bridge MBCN	Mini Bridge MBC	Mini Bridge MBCR	Mini Bridge Z4PAK	Mini Bridge Z4PAK-D
0.8	600		MBC08JH			
	800		MBC08KH			
	1000	LX08M LX08MS	MBC08MH			
1	600		MBC10JH	MBCR10JH MBCR10JLH		
	800		MBC10KH	MBCR10KH MBCR10KLH		
	1000	LX10M	MBC10MH	MBCR10MH MBCR10MLH		
1.6	1000				Z4GP16MPH	
2	600				Z4GP20JH Z4GP20JLH	
	800				Z4GP20KH	
	1000				Z4GP20MH	
4	600					Z4GP40JH Z4GP40JLH
	800					Z4GP40KH
	1000					Z4GP40MH

**QUICK REFERENCE TABLE
SINTERED GLASS PASSIVATED JUNCTION FAST RECOVERY RECTIFIERS**

Halogen-free Patented With Superchip™ Technology

Io (A)	V _{RM} (V)	Mini Bridge Z4PAK
2	1000	Z4RGP20MH

MBCN



MBC



MBCR



MBF



ABS / LBF



Z4PAK



Top View Bottom View

Z4PAK-D



Top View Bottom View

QUICK REFERENCE TABLE
SINTERED GLASS PASSIVATED JUNCTION BRIDGE RECTIFIERS

Io (A)	V _{RM} (V)	DFM	DFS	GBP	GBPS-LF	KBL	GBL	GBL-LS	KBJ	GBU	GBU-LC
1	200	DF02 DF02H	DF02S DF02SH								
	400	DF04 DF04H	DF04S DF04SH								
	600	DF06 DF06H	DF06S DF06SH								
	800	DF08 DF08H	DF08S DF08SH								
	1000	DF10 DF10H	DF10S DF10SH								
1.5	200	DF1502 DF1502H	DF1502S DF1502SH								
	400	DF1504 DF1504H	DF1504S DF1504SH								
	600	DF1506 DF1506H	DF1506S DF1506SH								
	800	DF1508 DF1508H	DF1508S DF1508SH								
	1000	DF1510 DF1510H	DF1510S DF1510SH								
2	200			GBP202 GBP202H							
	400			GBP204 GBP204H							
	600			GBP206 GBP206H							
	800			GBP208 GBP208H							
	1000			GBP210 GBP210H							
4	200				GBPS402LF	KBL02 KBL02H	GBL02 GBL02H	GBL02LS	KBJ4D KBJ4DH	GBU402 GBU402H	GBU402LC
	400				GBPS404LF	KBL04 KBL04H	GBL04 GBL04H	GBL04LS	KBJ4G KBJ4GH	GBU404 GBU404H	GBU404LC
	600				GBPS406LF	KBL06 KBL06H	GBL06 GBL06H	GBL06LS	KBJ4J KBJ4JH	GBU406 GBU406H	GBU406LC
	800				GBPS408LF	KBL08 KBL08H	GBL08 GBL08H	GBL08LS	KBJ4K KBJ4KH	GBU408 GBU408H	GBU408LC
	1000				GBPS410LF	KBL10 KBL10H	GBL10 GBL10H	GBL10LS	KBJ4M KBJ4MH	GBU410 GBU410H	GBU410LC
6	200								KBJ6D KBJ6DH	GBU602 GBU602H	GBU602LC
	400								KBJ6G KBJ6GH	GBU604 GBU604H	GBU604LC
	600								KBJ6J KBJ6JH	GBU606 GBU606H	GBU606LC
	800								KBJ6K KBJ6KH	GBU608 GBU608H	GBU608LC
	1000								KBJ6M KBJ6MH	GBU610 GBU610H	GBU610LC

DFM



DFS



GBP



GBPS-LF



KBL



GBL



GBL-LS



KBJ



GBU / GBU-LC



**QUICK REFERENCE TABLE
SINTERED GLASS PASSIVATED JUNCTION BRIDGE RECTIFIERS**

I_o (A)	V_{RM} (V)	GBU	GBU-LC	GBJ	GBJ-LB	GBPC GBPCW
8	200	GBU802 GBU802H	GBU802LC	GBJ8D GBJ8DH		
	400	GBU804 GBU804H	GBU804LC	GBJ8G GBJ8GH		
	600	GBU806 GBU806H	GBU806LC	GBJ8J GBJ8JH		
	800	GBU808 GBU808H	GBU808LC	GBJ8K GBJ8KH		
	1000	GBU810 GBU810H	GBU810LC	GBJ8M GBJ8MH		
10	200	GBU1002 GBU1002H	GBU1002LC	GBJ10D GBJ10DH		
	400	GBU1004 GBU1004H	GBU1004LC	GBJ10G GBJ10GH		
	600	GBU1006 GBU1006H	GBU1006LC	GBJ10J GBJ10JH		
	800	GBU1008 GBU1008H	GBU1008LC	GBJ10K GBJ10KH		
	1000	GBU1010 GBU1010H	GBU1010LC	GBJ10M GBJ10MH		
15	200			GBJ15D GBJ15DH		
	400			GBJ15G GBJ15GH		
	600			GBJ15J GBJ15JH	GBJ15JLB	
	800			GBJ15K GBJ15KH	GBJ15KLB	
	1000			GBJ15M GBJ15MH	GBJ15MLB	
20	200			GBJ20D GBJ20DH		
	400			GBJ20G GBJ20GH		
	600			GBJ20J GBJ20JH		
	800			GBJ20K GBJ20KH		
	1000			GBJ20M GBJ20MH		
25	200			GBJ25D GBJ25DH		GBPC2502 GBPC2502W
	400			GBJ25G GBJ25GH		GBPC2504 GBPC2504W
	600			GBJ25J GBJ25JH	GBJ25JLB	GBPC2506 GBPC2506W
	800			GBJ25K GBJ25KH	GBJ25KLB	GBPC2508 GBPC2508W
	1000			GBJ25M GBJ25MH	GBJ25MLB	GBPC2510 GBPC2510W
30	200					GBPC3502 GBPC3502W
	400					GBPC3504 GBPC3504W
	600					GBPC3506 GBPC3506W
	800					GBPC3508 GBPC3508W
	1000					GBPC3510 GBPC3510W

GBU / GBU-LC



GBJ / GBJ-LB



GBPC



GBPC-W



**QUICK REFERENCE TABLE
SINTERED GLASS PASSIVATED JUNCTION HIGH EFFICIENCY RECTIFIERS**

I_o (A)	V_{RM} (V)	T_{RR} (nS)	TO-220AB	ITO-220AB
10	200	50	EGZ10DCT	EGZ10DCF
	400	50	EGZ10GCT	EGZ10GCF
	600	75	EGZ10JCT	EGZ10JCF
12	200	50	EGZ12DCT	EGZ12DCF
	400	50	EGZ12GCT	EGZ12GCF
	600	75	EGZ12JCT	EGZ12JCF
16	200	50	EGZ16DCT	EGZ16DCF
	400	50	EGZ16GCT	EGZ16GCF
	600	75	EGZ16JCT	EGZ16JCF
20	200	50	EGZ20DCT	EGZ20DCF
	400	50	EGZ20GCT	EGZ20GCF
	600	75	EGZ20JCT	EGZ20JCF

**QUICK REFERENCE TABLE
SINTERED GLASS PASSIVATED JUNCTION ULTRAFAST RECTIFIERS**

I_o (A)	V_{RM} (V)	T_{RR} (nS)	TO-220AC	ITO-220AC	TO-220AB	ITO-220AB
6.0	200	35	UGZ6DT	UGZ6DF		
	400	35	UGZ6GT	UGZ6GF		
	600	35	UGZ6JT	UGZ6JF		
8.0	200	35	UGZ8DT	UGZ8DF		
	400	35	UGZ8GT	UGZ8GF		
	600	35	UGZ8JT	UGZ8JF		
10	200	35	UGZ10DT	UGZ10DF	UGZ10DCT	UGZ10DCF
	400	35	UGZ10GT	UGZ10GF	UGZ10GCT	UGZ10GCF
	600	35	UGZ10JT	UGZ10JF	UGZ10JCT	UGZ10JCF
16	200	35			UGZ16DCT	UGZ16DCF
	400	35			UGZ16GCT	UGZ16GCF
	600	35			UGZ16JCT	UGZ16JCF
20	200	35			UGZ20DCT	UGZ20DCF
	400	35			UGZ20GCT	UGZ20GCF
	600	35			UGZ20JCT	UGZ20JCF

TO-220AC



ITO-220AC



TO-220AB



ITO-220AB



QUICK REFERENCE TABLE SINTERED GLASS PASSIVATED JUNCTION RECTIFIERS

Patented With *Superexil™* Technology
Superchip

I _o (A)	V _{RM} (V)	1206-S SGC SOD-123	1206 BYD SOD-123	2010 GC DO-214AC/SMA	2114 BGC DO-214AA(SMB)	DO-214AC SMA	DO-214AA SMB	R-1	DO-204AL DO-41	DO-204AC DO-15
1.0	200	SGC10DH SGC10DLH	BYD17ZDH AUBYD17ZDH BYD17ZDLH AUBYD17ZDLH	GC10DH GC10DLH		GF10D GF10DL		G110D G110DL	GP10D GP10DL	
	400	SGC10GH SGC10GLH	BYD17ZGH AUBYD17ZGH BYD17ZGLH AUBYD17ZGLH	GC10GH GC10GLH		GF10G GF10LG		G110G G110LG	GP10G GP10LG	
	600	SGC10JH SGC10JLH	BYD17ZJH AUBYD17ZJH BYD17ZJLH AUBYD17ZJLH	GC10JH GC10JLH		GF10J GF10JL		G110J G110JL	GP10J GP10JL	
	800	SGC10KH SGC10KLH	BYD17ZKH AUBYD17ZKH BYD17ZKLH AUBYD17ZKLH	GC10KH GC10KLH		GF10K GF10KL		G110K G110KL	GP10K GP10KL	
	1000	SGC10MH SGC10MLH	BYD17ZMH AUBYD17ZMH BYD17ZMLH AUBYD17ZMLH	GC10MH GC10MLH		GF10M GF10ML		G110M G110ML	GP10M GP10ML	
	1200					GF10Q			GP10Q	
	1400								GP10V	
	1600					GF10Y			GP10Y	
	2000					GF02-20			GP02-20	
2.0	200			GC20DH GC20DLH	BGC20DH BGC20DLH		GF20D GF20DL			GP20D GP20DL
	400			GC20GH GC20GLH	BGC20GH BGC20GLH		GF20G GF20GL			GP20G GP20GL
	600			GC20JH GC20JLH	BGC20JH BGC20JLH		GF20J GF20JL			GP20J GP20JL
	800			GC20KH GC20KLH	BGC20KH BGC20KLH		GF20K GF20KL			GP20K GP20KL
	1000			GC20MH GC20MLH	BGC20MH BGC20MLH		GF20M GF20ML			GP20M GP20ML

NOTE: The model name headed with " AU " is complying with AEC-Q101

Patented With *Superexil™* Technology
Superchip

I _o (A)	V _{RM} (V)	2114 BGC DO-214AA(SMB)	3220 CGC DO-214AB(SMC)	DO-214AA SMB	DO-201AD DO-27	P-600	R-6
3	200	BGC30DH BGC30DLH	CGC30DH CGC30DLH	GF30D GF30DL	GP30D GP30DL		
	400	BGC30GH BGC30GLH	CGC30GH CGC30GLH	GF30G GF30GL	GP30G GP30GL		
	600	BGC30JH BGC30JLH	CGC30JH CGC30JLH	GF30J GF30JL	GP30J GP30JL		
	800	BGC30KH BGC30KLH	CGC30KH CGC30KLH	GF30K GF30KL	GP30K GP30KL		
	1000	BGC30MH BGC30MLH	CGC30MH CGC30MLH	GF30M GF30ML	GP30M GP30ML		
10	400					GP100G	GP100GC

1206-S



1206



2010



2114



3220



DO-214AC(SMA)



DO-214AA(SMB)



R-1



DO-204AL(DO-41)



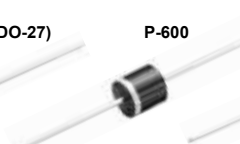
DO-204AC(DO-15)



DO-201AD(DO-27)



P-600



R-6



QUICK REFERENCE TABLE
SINTERED GLASS PASSIVATED JUNCTION FAST RECOVERY RECTIFIERS

Patented With *SupereXil™*
Superchip™ Technology

Io (A)	V _{RM} (V)	T _{RR} (nS)	1206-S SRGC SOD-123	1206 BYD SOD-123	2010 RGC DO-214AC/SMA	2114 BRGC DO-214AA/SMB	DO-214AC SMA	DO-214AA SMB	R-1	DO-204AL DO-41	DO-204AC DO-15	DO-201AD DO-27
1	200	150	SRGC10DH		RGC10DH		RGF10D RGF10DH		RG110D RG110DH	RGP10D RGF10DH		
		250		BYD37ZDH								
	400	150	SRGC10GH		RGC10GH		RGF10G RGF10GH		RG110G RG110GH	RGP10G RGF10GH		
		250		BYD37ZGH								
	600	150					RGF10JA RGF10JAH			RGP10JA RGF10JAH		
		250	SRGC10JH	BYD37ZJH	RGC10JH		RGF10J RGF10JH		RG110J RG110JH	RGP10J RGF10JH		
	800	300	SRGC10KH	BYD37ZKH	RGC10KH		RGF10KA RGF10KAH			RGP10KA RGF10KAH		
		500					RGF10K RGF10KH		RG110K RG110KH	RGP10K RGF10KH		
	1000	300	SRGC10MH	BYD37ZMH			RGF10MA RGF10MAH			RGP10MA RGF10MAH		
		500			RGC10MH RGC10MLH		RGF10M RGF10MH		RG110M RG110MH	RGP10M RGF10MH		
	1200	300								RGP02-12 RGP02-12H		
	1500	300								RGP02-15 RGP02-15H		
	1800	300								RGP02-18 RGP02-18H		
	2000	300								RGP02-20 RGP02-20H		
2	200	150			RGC20DH	BRGC20DH		RGF20D RGF20DH			RGP20D RGP20DH	
	400	150			RGC20GH	BRGC20GH		RGF20G RGF20GH			RGP20G RGP20GH	
	600	150						RGF20JA RGF20JAH			RGP20JA RGP20JAH	
		250			RGC20JH	BRGC20JH		RGF20J RGF20JH			RGP20J RGP20JH	
	800	300			RGC20KH	BRGC20KH		RGF20KA RGF20KAH			RGP20KA RGP20KAH	
		500						RGF20K RGF20KH			RGP20K RGP20KH	
	1000	300						RGF20MA RGF20MAH			RGP20MA RGP20MAH	
500				RGC20MH	BRGC20MH		RGF20M RGF20MH			RGP20M RGP20MH		
3	200	150				BRGC30DH		RGF30D RGF30DH				RGP30D RGP30DH
	400	150				BRGC30GH		RGF30G RGF30GH				RGP30G RGP30GH
	600	150						RGF30JA RGF30JAH				RGP30JA RGP30JAH
		250				BRGC30JH		RGF30J RGF30JH				RGP30J RGP30JH
	800	300				BRGC30KH		RGF30KA RGF30KAH				RGP30KA RGP30KAH
		500						RGF30K RGF30KH				RGP30K RGP30KH
	1000	300						RGF30MA RGF30MAH				RGP30MA RGP30MAH
		500				BRGC30MH		RGF30M RGF30MH				RGP30M RGP30MH

QUICK REFERENCE TABLE
SINTERED GLASS PASSIVATED JUNCTION HIGH EFFICIENCY RECTIFIERS

Patented With *Superexl™*
Superchip™ Technology

I _o (A)	V _{RM} (V)	T _{RR} (nS)	1206-S SEGC SOD-123	1206 BYD SOD-123	2010 EGC DO-214AC/SMA	2114 BEGC DO-214AA/SMB	DO-214AC SMA	DO-214AA SMB	R-1	DO-204AL DO-41	DO-204AC DO-15	DO-201AD DO-27	
1	200	50	SEGC10DH	BYD57ZDH AUBYD57ZDH	EGC10DH		EGF10D EGF10DH		EG110D EG110DH	EGP10D EGP10DH			
	400	50	SEGC10GH	BYD57ZGH AUBYD57ZGH	EGC10GH		EGF10G EGF10GH		EG110G EG110GH	EGP10G EGP10GH			
	600	50		BYD57ZJH AUBYD57ZJH									
		75	SEGC10JH		EGC10JH		EGF10J EGF10JH		EG110J EG110JH	EGP10J EGP10JH			
	800	75	SEGC10KH	BYD57ZKH AUBYD57ZKH	EGC10KH		EGF10K EGF10KH		EG110K EG110KH	EGP10K EGP10KH			
	1000	75	SEGC10MH	BYD57ZMH AUBYD57ZMH	EGC10MH		EGF10M EGF10MH		EG110M EG110MH	EGP10M EGP10MH			
2	200	50			EGC20DH	BEGC20DH	EGF20D EGF20DH				EGP20D EGP20DH		
	400	50			EGC20GH	BEGC20GH	EGF20G EGF20GH				EGP20G EGP20GH		
	600	75			EGC20JH	BEGC20JH	EGF20J EGF20JH				EGP20J EGP20JH		
	800	75			EGC20KH	BEGC20KH	EGF20K EGF20KH				EGP20K EGP20KH		
	1000	75			EGC20MH	BEGC20MH	EGF20M EGF20MH				EGP20M EGP20MH		
3	200	50				BEGC30DH	EGF30D EGF30DH					EGP30D EGP30DH	
	400	50				BEGC30GH	EGF30G EGF30GH					EGP30G EGP30GH	
	600	75				BEGC30JH	EGF30J EGF30JH					EGP30J EGP30JH	
	800	75				BEGC30KH	EGF30K EGF30KH					EGP30K EGP30KH	
	1000	75				BEGC30MH	EGF30M EGF30MH					EGP30M EGP30MH	
5	200	50										EGP50D EGP50DH	
	400	50										EGP50G EGP50GH	

1206-S



1206



2010



2114



DO-214AC(SMA)



DO-214AA(SMB)



R-1



DO-204AL(DO-41)



DO-204AC(DO-15)



DO-201AD(DO-27)



QUICK REFERENCE TABLE
SINTERED GLASS PASSIVATED JUNCTION ULTRAFAST RECTIFIERS

Patented With *SuperexII™* Technology
Superchip™

I _o (A)	V _{RM} (V)	T _{RR} (nS)	1206-S SUGC SOD-123	1206 BYD SOD-123	2010 UGC DO-214AC/SMA	2114 BUGC DO-214AA/SMB	DO-214AC SMA	DO-214AA SMB	R-1	DO-204AL DO-41	DO-204AC DO-15	DO-201AD DO-27
0.8	800	35	SUGC08KH									
1.0	200	35	SUGC10DH	BYD127ZH	UGC10DH		UGF10D UGF10DH		UG110D	UGP10D UGP10DH		
		50		BYD77ZDH								
	400	35	SUGC10GH	BYD147ZH	UGC10GH		UGF10G UGF10GH		UG110G	UGP10G UGP10GH		
		50		BYD77ZGH								
	600	35	SUGC10JH AUSUGC10JH	BYD167ZH AUBYD167ZH	UGC10JH		UGF10J UGF10JH		UG110J	UGP10J UGP10JH		
	800	35	SUGC10KH	BYD187ZH	UGC10KH		UGF10K UGF10KH		UG110K	UGP10K UGP10KH		
2.0	200	35			UGC20DH	BUGC20DH		UGF20D UGF20DH			UGP20D UGP20DH	
	400	35			UGC20GH	BUGC20GH		UGF20G UGF20GH			UGP20G UGP20GH	
	600	35			UGC20JH	BUGC20JH		UGF20J UGF20JH			UGP20J UGP20JH	
	800	35			UGC20KH	BUGC20KH		UGF20K UGF20KH			UGP20K UGP20KH	
3.0	200	35				BUGC30DH		UGF30D UGF30DH				UGP30D UGP30DH
	400	35				BUGC30GH		UGF30G UGF30GH				UGP30G UGP30GH
	600	35				BUGC30JH		UGF30J UGF30JH				UGP30J UGP30JH
	800	35				BUGC30KH		UGF30K UGF30KH				UGP30K UGP30KH
4.0	200	50										MUR420 MUR420H
	400	50										MUR460 MUR460H
5.0	200	35										UGP50D UGP50DH
	400	35										UGP50G UGP50GH
	600	35										UGP50J UGP50JH

NOTE: The model name headed with " AU " is complying with AEC-Q101

1206-S



1206



2010



2114



DO-214AC(SMA)



DO-214AA(SMB)



R-1



DO-204AL(DO-41)



DO-204AC(DO-15)



DO-201AD(DO-27)



CoolTc™ Ultimate HIGH THERMAL PERFORMANCE SCHOTTKY RECTIFIERS

TYPE	Peak Repetitive Reverse Voltage	Max. Average Rectified Current	Max. Peak Forward Surge Current @8.3ms	Max. Reverse Current @ 25°C TA	Max. Forward Voltage @ 25°C TA		Marking
	V _{RRM}	I _o	I _{FSM} (Surge)	I _R	I _F	V _F	
	V	A	A	mA	A	V	

NEW

8 AMPERE / A3PS (Equivalent to TO-277) / Halogen-free
CoolTc™ (Ultimate High Thermal Dissipation Package)



A3PS8100UH	100	8	160	0.15	8	0.67	A3PS 8100U.
------------	-----	---	-----	------	---	------	----------------

NEW

10 AMPERE / A3PS (Equivalent to TO-277) / Halogen-free
CoolTc™ (Ultimate High Thermal Dissipation Package)



A3PS1045UH	45	10	200	0.25	10	0.46	A3PS 1045U.
A3PS1045UALH	45	10	180	0.25	10	0.52	A3PS 1045UAL.
A3PS1060UH	60	10	200	0.25	10	0.54	A3PS 1060U.
A3PS10100UH	100	10	200	0.2	10	0.65	A3PS 10100U.

NEW

15 AMPERE / A3PS (Equivalent to TO-277) / Halogen-free
CoolTc™ (Ultimate High Thermal Dissipation Package)



A3PS1545UH	45	15	250	0.35	15	0.52	A3PS 1545U.
A3PS1550UH	50	15	250	0.4	15	0.52	A3PS 1550U.
A3PS1560UH	60	15	250	0.4	15	0.58	A3PS 1560U.
A3PS15100UH	100	15	220	0.23	15	0.73	A3PS 15100U.

NEW

20 AMPERE / A3PS (Equivalent to TO-277) / Halogen-free
CoolTc™ (Ultimate High Thermal Dissipation Package)



A3PS2045UH	45	20	280	0.35	20	0.54	A3PS 2045U.
A3PS2060UH	60	20	280	0.45	20	0.60	A3PS 2060U.
A3PS20100UH	100	20	280	0.25	20	0.75	A3PS 20100U.

ZPAK™ HIGH THERMAL PERFORMANCE SCHOTTKY RECTIFIERS

TYPE	Peak Repetitive Reverse Voltage	Max. Average Rectified Current	Max. Peak Forward Surge Current @8.3ms	Max. Reverse Current @ 25°C T _A	Max. Forward Voltage @ 25°C T _A		Marking
	V _{RRM}	I _O	I _{FSM} (Surge)	I _R	I _F	V _F	
	V	A	A	mA	A	V	

0.5 AMPERE / Z1PAK (Equivalent to SOD-323) / Halogen-free

ZPAK™ (High Thermal Performance Package)


PATENTED

Z1PK053H	30	0.5	5	0.15	0.5	0.50	B3, B3.
Z1PK054H	40	0.5	5	0.15	0.5	0.50	B3, B3.

1 AMPERE / Z1PAK (Equivalent to SOD-323) / Halogen-free

ZPAK™ (High Thermal Performance Package)


PATENTED

Z1PK102H	20	1	20	0.2	1	0.50	A2, A2.
Z1PK102LH	20	1	20	1	1	0.38	A2L, A2L.
Z1PK104H	40	1	20	0.2	1	0.50	A4, A4.
Z1PK104LH	40	1	20	1	1	0.40	A4L, A4L.
Z1PK104SH	40	1	25	0.2	1	0.50	A4S, A4S.
Z1PK106H	60	1	22	0.1	1	0.62	A6, A6.
Z1PK106RH	60	1	22	0.05	1	0.70	A61, A61.
Z1PK110H	100	1	15	0.1	1	0.82	A10, A10.

1 AMPERE / Z2PAK (Equivalent to SOD-123) / Halogen-free

ZPAK™ (High Thermal Performance Package)


PATENTED

Z2PK102H	20	1	20	0.2	1	0.50	A20, A20.
Z2PK104H	40	1	20	0.2	1	0.50	A40, A40.
Z2PK104LH	40	1	20	1	1	0.38	A40L, A40L.
Z2PK106H	60	1	20	0.2	1	0.70	A60, A60.
Z2PK110H	100	1	20	0.2	1	0.85	A100, A100.
Z2PK115H	150	1	20	0.05	1	0.88	A150, A150.
Z2PK120H	200	1	20	0.05	1	0.90	A200, A200.

2 AMPERE / Z2PAK (Equivalent to SOD-123) / Halogen-free

ZPAK™ (High Thermal Performance Package)


PATENTED

Z2PK202H	20	2	40	0.2	2	0.50	L20, L20.
Z2PK204H	40	2	40	0.2	2	0.50	L40, L40.
Z2PK204LH	40	2	40	1	2	0.40	L40L, L40L.
Z2PK206H	60	2	40	0.2	2	0.70	L60, L60.
Z2PK210H	100	2	40	0.2	2	0.85	L100, L100.
Z2PK210LH	100	2	80	0.2	2	0.75	L100L, L100L.
Z2PK215H	150	2	40	0.05	2	0.88	L150, L150.
Z2PK220H	200	2	40	0.05	2	0.90	L200, L200.

3 AMPERE / Z2PAK (Equivalent to SOD-123) / Halogen-free

ZPAK™ (High Thermal Performance Package)


PATENTED

Z2PK304H	40	3	80	0.2	3	0.50	K40, K40.
Z2PK304RH	40	3	60	0.15	3	0.55	K40R, K40R.
Z2PK306H	60	3	80	0.2	3	0.70	K60, K60.
Z2PK310H	100	3	80	0.2	3	0.85	K100, K100.

ZPAK™ HIGH THERMAL PERFORMANCE SCHOTTKY RECTIFIERS

TYPE	Peak Repetitive Reverse Voltage	Max. Average Rectified Current	Max. Peak Forward Surge Current @8.3ms	Max. Reverse Current @ 25°C T _A	Max. Forward Voltage @ 25°C T _A		Marking
	V _{RRM}	I _O	I _{FSM} (Surge)	I _R	I _F	V _F	
	V	A	A	mA	A	V	

3 AMPERE / Z2APAK (Equivalent to DO-214AC / SMA) / Halogen-free ZPAK™ (High Thermal Performance Package)



Z2APK34H	40	3	80	0.2	3	0.50	Z2A 34.
Z2APK36H	60	3	80	0.2	3	0.70	Z2A 36.
Z2APK310H	100	3	80	0.2	3	0.85	Z2A 310.
Z2APK315H	150	3	80	0.05	3	0.88	Z2A 315.
Z2APK320H	200	3	80	0.05	3	0.90	Z2A 320.

3 AMPERE / Z3PAK (Equivalent to TO-277) / Halogen-free ZPAK™ (High Thermal Performance Package)



Z3PK340LH	40	3	90	1	3	0.42	Z3PK 340L.
-----------	----	---	----	---	---	------	---------------

5 AMPERE / Z2APAK (Equivalent to DO-214AC / SMA) / Halogen-free ZPAK™ (High Thermal Performance Package)



Z2APK54H	40	5	110	0.2	5	0.55	Z2A 54.
Z2APK54MH	40	5	110	0.1	5	0.57	Z2A 54M.
Z2APK56H	60	5	110	0.2	5	0.70	Z2A 56.
Z2APK510H	100	5	110	0.2	5	0.85	Z2A 510.
Z2APK515H	150	5	110	0.05	5	0.88	Z2A 515.
Z2APK520H	200	5	110	0.05	5	0.90	Z2A 520.

5 AMPERE / Z3PAK (Equivalent to TO-277) / Halogen-free ZPAK™ (High Thermal Performance Package)



Z3PK540H	40	5	120	0.1	5	0.57	Z3PK 540.
Z3PK540TH	40	5	100	0.2	5	0.56	Z3PK 540T.
Z3PK545RH	45	5	150	0.2	5	0.47	Z3PK 545R.
Z3PK545TH	45	5	100	0.2	5	0.56	Z3PK 545T.
Z3PK545UH	45	5	100	0.2	5	0.54	Z3PK 545U.
Z3PK560H	60	5	120	0.1	5	0.70	Z3PK 560.
Z3PK5100H	100	5	120	0.1	5	0.85	Z3PK 5100.
Z3PK5150H	150	5	110	0.05	5	0.88	Z3PK 5150.
Z3PK5200H	200	5	110	0.05	5	0.90	Z3PK 5200.

8 AMPERE / Z3PAK (Equivalent to TO-277) / Halogen-free ZPAK™ (High Thermal Performance Package)



Z3PK845H	45	8	180	0.1	8	0.58	Z3PK 845.
Z3PK845UH	45	8	150	0.2	8	0.55	Z3PK 845U.
Z3PK860H	60	8	180	0.1	8	0.70	Z3PK 860.
Z3PK860ULH	60	8	220	0.6	8	0.53	Z3PK 860UL.
Z3PK8100H	100	8	170	0.1	8	0.80	Z3PK 8100.
Z3PK8100UH	100	8	150	0.15	8	0.69	Z3PK 8100U.
Z3PK8150H	150	8	170	0.1	8	0.83	Z3PK 8150.
Z3PK8200H	200	8	170	0.1	8	0.86	Z3PK 8200.

ZPAK™ HIGH THERMAL PERFORMANCE SCHOTTKY RECTIFIERS

TYPE	Peak Repetitive Reverse Voltage	Max. Average Rectified Current	Max. Peak Forward Surge Current @8.3ms	Max. Reverse Current @ 25°C T _A	Max. Forward Voltage @ 25°C T _A		Marking
	V _{RRM}	I _O	I _{FSM} (Surge)	I _R	I _F	V _F	
	V	A	A	mA	A	V	



10 AMPERE / Z3PAK (Equivalent to TO-277) / Halogen-free ZPAK™ (High Thermal Performance Package)


PATENTED

Z3PK1045H	45	10	180	0.1	10	0.62	Z3PK1045
Z3PK1045DH	45	10	300	0.1	10	0.55	Z3PK1045D
Z3PK1045PH	45	10	300	0.1	10	0.49	Z3PK1045P
Z3PK1045UH	45	10	200	0.35	10	0.46	Z3PK1045U
Z3PK1045ULH	45	10	250	0.35	10	0.455	Z3PK1045UL
Z3PK1060H	60	10	180	0.1	10	0.75	Z3PK1060
Z3PK1060DH	60	10	270	0.1	10	0.65	Z3PK1060D
Z3PK1060ULH	60	10	270	0.4	10	0.49	Z3PK1060UL
Z3PK10100H	100	10	170	0.1	10	0.82	Z3PK10100
Z3PK10100DH	100	10	220	0.1	10	0.78	Z3PK10100D
Z3PK10100UH	100	10	180	0.15	10	0.68	Z3PK10100U
Z3PK10150H	150	10	170	0.1	10	0.88	Z3PK10150
Z3PK10150DH	150	10	250	0.1	10	0.82	Z3PK10150D
Z3PK10200H	200	10	170	0.1	10	0.90	Z3PK10200
Z3PK10200DH	200	10	250	0.1	10	0.82	Z3PK10200D

10 AMPERE / Z5PAK-T (Equivalent to DO-214AB / SMC) / Halogen-free ZPAK™ (High Thermal Performance Package)


PATENTED

Z5TPK1045UH	45	10	220	0.35	10	0.47	Z5TPK1045U
Z5TPK1045ULH	45	10	250	0.35	10	0.45	Z5TPK1045UL

12 AMPERE / Z3PAK (Equivalent to TO-277) / Halogen-free ZPAK™ (High Thermal Performance Package)


PATENTED

Z3PK12100UH	100	12	180	0.15	12	0.71	Z3PK12100U
-------------	-----	----	-----	------	----	------	------------

15 AMPERE / Z3PAK (Equivalent to TO-277) / Halogen-free ZPAK™ (High Thermal Performance Package)


PATENTED

Z3PK1545UH	45	15	250	0.35	15	0.52	Z3PK1545U
Z3PK1545ULH	45	15	250	0.35	15	0.49	Z3PK1545UL
Z3PK1550UH	50	15	250	0.4	15	0.52	Z3PK1550U
Z3PK1550ULH	50	15	250	0.36	15	0.49	Z3PK1550UL
Z3PK15100UH	100	15	220	0.18	15	0.73	Z3PK15100U

15 AMPERE / Z5PAK-T (Equivalent to DO-214AB / SMC) / Halogen-free ZPAK™ (High Thermal Performance Package)


PATENTED

Z5TPK1545UH	45	15	250	0.35	15	0.52	Z5TPK1545U
Z5TPK1545ULH	45	15	250	0.35	15	0.49	Z5TPK1545UL

ZPAK™ HIGH THERMAL PERFORMANCE SCHOTTKEY RECTIFIERS

TYPE	Peak Repetitive Reverse Voltage	Max. Average Rectified Current	Max. Peak Forward Surge Current @8.3ms	Max. Reverse Current @ 25°C T _A	Max. Forward Voltage @ 25°C T _A		Marking
	V _{RRM}	I _O	I _{FSM} (Surge)	I _R	I _F	V _F	
	V	A	A	mA	A	V	

20 AMPERE / Z3PAK (Equivalent to TO-277) / Halogen-free ZPAK™ (High Thermal Performance Package)



Z3PK2045H	45	20	300	0.1	20	0.64	Z3PK 2045.
Z3PK2045UH	45	20	250	0.35	20	0.54	Z3PK 2045U.
Z3PK2060H	60	20	300	0.1	20	0.72	Z3PK 2060.
Z3PK20100H	100	20	300	0.1	20	0.83	Z3PK 20100.
Z3PK20150H	150	20	280	0.1	20	0.91	Z3PK 20150.
Z3PK20200H	200	20	280	0.1	20	0.93	Z3PK 20200.

20 AMPERE / Z5PAK-T (Equivalent to DO-214AB / SMC) / Halogen-free ZPAK™ (High Thermal Performance Package)



Z5TPK2050UH	50	20	250	0.35	20	0.55	Z5TPK 2050U.
Z5TPK2050ULH	50	20	280	0.50	20	0.53	Z5TPK 2050UL.

30 AMPERE / Z5PAK-T (Equivalent to DO-214AB / SMC) / Halogen-free ZPAK™ (High Thermal Performance Package)



Z5TPK3050UH	50	30	300	0.5	30	0.55	Z5TPK 3050U.
Z5TPK3050PH	50	30	300	0.1	30	0.65	Z5TPK 3050P.
Z5TPK30100H	100	30	350	0.05	30	0.85	Z5TPK 30100.

SCHOTTKY BARRIER RECTIFIERS

TYPE	Peak Repetitive Reverse Voltage	Max. Average Rectified Current	Max. Peak Forward Surge Current @8.3ms	Max. Reverse Current @ 25°C T _A	Max. Forward Voltage @ 25°C T _A		Marking
	V _{RRM}	I _O	I _{FSM} (Surge)	I _R	I _F	V _F	
	V	A	A	mA	A	V	

0.1 AMPERE / 0603 (Equivalent to SOD-523) / Halogen-free

Superchip

 **PATENTED**

AUUSCD012H	20	0.1	2	0.05	0.1	0.40	.2. .4.
AUUSCD014H	40	0.1	2	0.05	0.1	0.40	.2. .4.

0.1 AMPERE / 0805 (Equivalent to SOD-323) / Halogen-free

Superchip

 **PATENTED**

AUMSCD012H	20	0.1	2	0.03	0.1	0.45	.F. .4.
AUMSCD014H	40	0.1	2	0.03	0.1	0.50	.F. .4.

0.2 AMPERE / 0603 (Equivalent to SOD-523) / Halogen-free

Superchip

 **PATENTED**

AUUSCD022H	20	0.2	2	0.05	0.2	0.45	.2. .4.
AUUSCD024H	40	0.2	2	0.05	0.2	0.45	.2. .4.

0.3 AMPERE / 0603 (Equivalent to SOD-523) / Halogen-free

Superchip

 **PATENTED**

AUUSCD032H	20	0.3	2	0.05	0.3	0.50	.3. .3.
AUUSCD034H	40	0.3	2	0.05	0.3	0.50	.3. .3.

0.5 AMPERE / 0603 (Equivalent to SOD-523) / Halogen-free

Superchip

 **PATENTED**

AUUSCD054H	40	0.5	5	0.05	0.5	0.50	.5. .5.
------------	----	-----	---	------	-----	------	------------

0.5 AMPERE / 0805 (Equivalent to SOD-323) / Halogen-free

Superchip

 **PATENTED**

AUMSCD052H	20	0.5	5	0.1	0.5	0.44	.B. .2. .3. .4.
AUMSCD053H	30	0.5	5	0.1	0.5	0.46	.B. .3. .4.
AUMSCD054H	40	0.5	5	0.1	0.5	0.48	.B. .4.

0.5 AMPERE / 1206 (Equivalent to SOD-123) / Halogen-free

Superchip

 **PATENTED**

AUSSCD052H	20	0.5	15	0.05	0.5	0.42	.B2. .B4.
AUSSCD054H	40	0.5	15	0.05	0.5	0.48	.B2. .B4.

1.0 AMPERE / 0805 (Equivalent to SOD-323) / Halogen-free

Superchip

 **PATENTED**

AUMSCD102H	20	1	10	0.2	1	0.45	.A. .2. .4. .6.
AUMSCD104H	40	1	10	0.2	1	0.50	.A. .4. .6.
AUMSCD106H	60	1	10	0.2	1	0.65	.A. .6.

NOTE : Comply with AEC-Q101

SCHOTTKY BARRIER RECTIFIERS

TYPE	Peak Repetitive Reverse Voltage	Max. Average Rectified Current	Max. Peak Forward Surge Current @8.3ms	Max. Reverse Current @ 25°C T _A	Max. Forward Voltage @ 25°C T _A		Marking
	V _{RRM}	I _o	I _{FSM} (Surge)	I _R	I _F	V _F	
	V	A	A	mA	A	V	

1 AMPERE / 1206 (Equivalent to SOD-123) / Halogen-free Superchip

 **PATENTED**

AUSSCD102H	20	1	20	0.2	1	0.50	.A2.
AUSSCD104H	40	1	20	0.2	1	0.50	.A4.
AUSSCD106H	60	1	20	0.2	1	0.70	.A6.
AUSSCD110H	100	1	20	0.2	1	0.85	.A10.

1 AMPERE / 2010 (Equivalent to DO-214AC / SMA) / Halogen-free Superchip

 **PATENTED**

AUSCD12H	20	1	30	0.2	1	0.50	SCD .12.
AUSCD14H	40	1	30	0.2	1	0.50	SCD .14.
AUSCD16H	60	1	30	0.2	1	0.70	SCD .16.
AUSCD110H	100	1	30	0.2	1	0.85	SCD .110.

2 AMPERE / 0805 (Equivalent to SOD-323) / Halogen-free Superchip

 **PATENTED**

AUMSCD202H	20	2	10	0.05	1	0.45	L .2.
AUMSCD204H	40	2	10	0.05	1	0.50	L .4.

2 AMPERE / 1206 (Equivalent to SOD-123) / Halogen-free Superchip

 **PATENTED**

AUSSCD202H	20	2	40	0.2	2	0.50	.L2.
AUSSCD204H	40	2	40	0.2	2	0.50	.L4.
AUSSCD206H	60	2	40	0.2	2	0.70	.L6.
AUSSCD210H	100	2	40	0.2	2	0.85	.L10.

2 AMPERE / 2010 (Equivalent to DO-214AC / SMA) / Halogen-free Superchip

 **PATENTED**

AUSCD22H	20	2	50	0.2	2	0.50	SCD .22.
AUSCD24H	40	2	50	0.2	2	0.50	SCD .24.
AUSCD26H	60	2	50	0.2	2	0.70	SCD .26.
AUSCD210H	100	2	50	0.2	2	0.85	SCD .210.

3 AMPERE / 0805 (Equivalent to SOD-323) / Halogen-free Superchip

 **PATENTED**

AUMSCD302H	20	3	10	0.05	1	0.45	K .2.
AUMSCD304H	40	3	10	0.05	1	0.50	K .4.
AUMSCD306H	60	3	10	0.05	1	0.65	K .6.

3 AMPERE / 2010 (Equivalent to DO-214AC / SMA) / Halogen-free Superchip

 **PATENTED**

AUSCD32H	20	3	80	0.2	3	0.50	SCD .32.
AUSCD34H	40	3	80	0.2	3	0.50	SCD .34.
AUSCD36H	60	3	80	0.2	3	0.70	SCD .36.
AUSCD310H	100	3	80	0.2	3	0.85	SCD .310.

NOTE : Comply with AEC-Q101

SINTERED GLASS PASSIVATED JUNCTION RECTIFIERS

TYPE	Peak Repetitive Reverse Voltage	Max. Average Rectified Current	Max. Peak Forward Surge Current @8.3ms	Max. Reverse Current @ 25°C T _A	Max. Forward Voltage @ 25°C T _A		Marking
	V _{RRM}	I _O	I _{FSM} (Surge)	I _R	I _F	V _F	
	V	A	A	μA	A	V	

1 AMPERE / 1206 (Equivalent to SOD-87 , GL1M , SOD-123) / Halogen-free
Superchip Superex II

 PATENTED

AUBYD17ZDH	200	1	30	1	1	1.00	.17
AUBYD17ZDLH	200	1	40	5	1	0.93	.17
AUBYD17ZGH	400	1	30	1	1	1.00	.17
AUBYD17ZGLH	400	1	40	5	1	0.93	.17
AUBYD17ZJH	600	1	30	1	1	1.00	.17
AUBYD17ZJLH	600	1	40	5	1	0.93	.17
AUBYD17ZKH	800	1	30	1	1	1.00	.17
AUBYD17ZKLH	800	1	40	5	1	0.93	.17
AUBYD17ZMH	1000	1	30	1	1	1.00	.17
AUBYD17ZMLH	1000	1	40	5	1	0.93	.17

NOTE : Comply with AEC-Q101

SINTERED GLASS PASSIVATED JUNCTION HIGH EFFICIENCY RECTIFIERS

TYPE	Peak Repetitive Reverse Voltage	Max. Average Rectified Current	Max. Peak Forward Surge Current @8.3ms	Max. Reverse Current @ 25°C T _A	Max. Forward Voltage @ 25°C T _A		Max. Reverse Recovery Time	Marking
	V _{RRM}	I _O	I _{FSM} (Surge)	I _R	I _F	V _F	T _{RR} @RG1	
	V	A	A	μA	A	V	nS	

1 AMPERE / 1206 (Equivalent to SOD-87 , GL1M , SOD-123) / Halogen-free
Superchip Superex II

 PATENTED

AUBYD57ZDH	200	1	30	5	1	1.70	50	.57
AUBYD57ZGH	400	1	30	5	1	1.70	50	.57
AUBYD57ZJH	600	1	30	5	1	1.70	50	.57
AUBYD57ZKH	800	1	25	5	1	1.70	75	.57
AUBYD57ZMH	1000	1	25	5	1	1.70	75	.57

NOTE : Comply with AEC-Q101

SINTERED GLASS PASSIVATED JUNCTION ULTRAFast RECTIFIERS

TYPE	Peak Repetitive Reverse Voltage	Max. Average Rectified Current	Max. Peak Forward Surge Current @8.3ms	Max. Reverse Current @ 25°C T _A	Max. Forward Voltage @ 25°C T _A		Max. Reverse Recovery Time	Marking
	V _{RRM}	I _O	I _{FSM} (Surge)	I _R	I _F	V _F	T _{RR} @RG1	
	V	A	A	μA	A	V	nS	

1 AMPERE / 1206-S (Equivalent to SOD-123) / Halogen-free
Superchip Superex II

 PATENTED

AUSUGC10JH	600	1	15	5	1	1.70	35	.10
------------	-----	---	----	---	---	------	----	-----

1 AMPERE / 1206 (Equivalent to SOD-87 , GL1M , SOD-123) / Halogen-free
Superchip Superex II

 PATENTED

AUBYD167ZH	600	1	25	5	1	1.70	35	.167
------------	-----	---	----	---	---	------	----	------

NOTE : Comply with AEC-Q101

SCHOTTKY BARRIER RECTIFIERS

TYPE	Peak Repetitive Reverse Voltage	Max. Average Rectified Current	Max. Peak Forward Surge Current @8.3ms	Max. Reverse Current @ 25°C T _A	Max. Forward Voltage @ 25°C T _A		Marking
	V _{RRM}	I _o	I _{FSM} (Surge)	I _R	I _F	V _F	
	V	A	A	mA	A	V	

0.1 AMPERE / SOD-723 / Halogen-free



RB520G-30GH	30	0.1	0.5	0.0005 *	0.01	0.45	E
-------------	----	-----	-----	----------	------	------	---

NOTE : " * " At 10 V Reverse Voltage.

0.1 AMPERE / SOD-723 / Halogen-free



RB521G-30GH	30	0.1	0.5	0.01 *	0.01	0.35	F
-------------	----	-----	-----	--------	------	------	---

NOTE : " * " At 10 V Reverse Voltage.

0.1 AMPERE / 0603 (Equivalent to SOD-523) / Halogen-free Superchip



USCD012H	20	0.1	2	0.05	0.1	0.40	2F
USCD014H	40	0.1	2	0.05	0.1	0.40	4F

0.1 AMPERE / 0805 (Equivalent to SOD-323) / Halogen-free Superchip



MSCD012H	20	0.1	2	0.03	0.1	0.45	F
MSCD014H	40	0.1	2	0.03	0.1	0.50	2F
MSCD014RH	40	0.1	0.5	0.0005 *	0.001	0.35	4F

NOTE : " * " At 30 V Reverse Voltage.

0.2 AMPERE / 0603-D (Equivalent to SOD-523) / Halogen-free Superchip



RBU023RH	30	0.2	0.5	0.001 *	0.2	0.60	□□
----------	----	-----	-----	---------	-----	------	----

NOTE : " * " At 10 V Reverse Voltage.

The objective specification for product development, spec is subject to change, please contact ZOWIE for updated status.

0.2 AMPERE / 0603 (Equivalent to SOD-523) / Halogen-free Superchip



USCD022H	20	0.2	2	0.05	0.2	0.45	2D
USCD024H	40	0.2	2	0.05	0.2	0.45	4D
USCD024RH	40	0.2	2	0.001 *	0.2	0.45	4D1
USCD024TH	40	0.2	2	0.0005 *	0.2	0.65	4T

NOTE : " * " At 10 V Reverse Voltage.

0.2 AMPERE / 0805 (Equivalent to SOD-323) / Halogen-free Superchip



MSCD022H	20	0.2	2	0.005 *	0.2	0.45	D
MSCD024H	40	0.2	2	0.005 *	0.2	0.50	2D

NOTE : " * " At 3 V Reverse Voltage.

SCHOTTKY BARRIER RECTIFIERS

TYPE	Peak Repetitive Reverse Voltage	Max. Average Rectified Current	Max. Peak Forward Surge Current @8.3ms	Max. Reverse Current @ 25°C T _A	Max. Forward Voltage @ 25°C T _A		Marking
	V _{RRM}	I _O	I _{FSM} (Surge)	I _R	I _F	V _F	
	V	A	A	mA	A	V	

0.3 AMPERE / 0603 (Equivalent to SOD-523) / Halogen-free Superchip

 **PATENTED**

USCD032H	20	0.3	2	0.05	0.3	0.50	2C4C1
USCD034H	40	0.3	2	0.05	0.3	0.50	4C4C1
USCD034RH	40	0.3	2	0.001 *	0.001	0.37	4C1

NOTE : * * * At 10 V Reverse Voltage.

0.3 AMPERE / 0805 (Equivalent to SOD-323) / Halogen-free Superchip

 **PATENTED**

MSCD032H	20	0.3	2	0.05	0.3	0.50	2C4C3
MSCD034H	40	0.3	2	0.05	0.3	0.50	4C4C3
MSCD036H	60	0.3	2	0.05	0.3	0.65	6C3

0.5 AMPERE / 0603 (Equivalent to SOD-523) / Halogen-free Superchip

 **PATENTED**

USCD052H	20	0.5	5	0.05	0.5	0.50	2B3B4B
USCD053H	30	0.5	5	0.05	0.5	0.50	3B3B4B
USCD054H	40	0.5	5	0.05	0.5	0.50	4B

0.5 AMPERE / 0805 (Equivalent to SOD-323) / Halogen-free Superchip

 **PATENTED**

MSCD052H	20	0.5	5	0.1	0.5	0.44	B2B3B4
MSCD053H	30	0.5	5	0.1	0.5	0.46	B3B3B4
MSCD053RH	30	0.5	3	0.005	0.5	0.50	B3B1B4
MSCD054H	40	0.5	5	0.1	0.5	0.48	B4

0.5 AMPERE / 1206-S (Equivalent to SOD-123) / Halogen-free Superchip

 **PATENTED**

SSCD052SH	20	0.5	15	0.05	0.5	0.42	B2S
SSCD054SH	40	0.5	15	0.05	0.5	0.48	B4S
SSCD056SH	60	0.5	15	0.05	0.5	0.55	B6S

0.5 AMPERE / 1206 (Equivalent to SOD-123) / Halogen-free Superchip

 **PATENTED**

SSCD052H	20	0.5	15	0.05	0.5	0.42	B2.
SSCD052TH	20	0.5	15	0.2	0.5	0.38	B2T
SSCD054H	40	0.5	15	0.05	0.5	0.48	B4.
SSCD056H	60	0.5	15	0.05	0.5	0.55	B6.

SCHOTTKY BARRIER RECTIFIERS

TYPE	Peak Repetitive Reverse Voltage	Max. Average Rectified Current	Max. Peak Forward Surge Current @8.3ms	Max. Reverse Current @ 25°C T _A	Max. Forward Voltage @ 25°C T _A		Marking
	V _{RRM}	I _o	I _{FSM} (Surge)	I _R	I _F	V _F	
	V	A	A	mA	A	V	

1 AMPERE / 0805 (Equivalent to SOD-323) / Halogen-free

Superchip

 **PATENTED**

MSCD102H	20	1	10	0.2	1	0.45	A2.
MSCD102LH	20	1	10	1	1	0.38	A2L.
MSCD104H	40	1	10	0.2	1	0.50	A4.
MSCD104LH	40	1	10	1	1	0.38	A4L.
MSCD104RH	40	1	10	0.05	1	0.55	A4R.
MSCD106H	60	1	10	0.2	1	0.65	A6.
MSCD106RH	60	1	10	0.05	1	0.70	A6R.

1 AMPERE / 1206-S (Equivalent to SOD-123) / Halogen-free

Superchip

 **PATENTED**

SSCD102SH	20	1	20	0.2	1	0.50	A2S.
SSCD102LSH	20	1	25	1	1	0.38	A2LS.
SSCD104SH	40	1	20	0.2	1	0.50	A4S.
SSCD104LSH	40	1	25	1	1	0.38	A4LS.
SSCD104RSH	40	1	20	0.05	1	0.55	A4RS.
SSCD104TSH	40	1	25	0.2	1	0.45	A4TS.
SSCD106SH	60	1	20	0.2	1	0.70	A6S.
SSCD110SH	100	1	20	0.2	1	0.85	A10S.

1 AMPERE / 1206 (Equivalent to SOD-123) / Halogen-free

Superchip

 **PATENTED**

SSCD102H	20	1	20	0.2	1	0.50	A2.
SSCD102LH	20	1	25	1	1	0.38	A2L.
SSCD104H	40	1	20	0.2	1	0.50	A4.
SSCD104LH	40	1	25	1	1	0.38	A4L.
SSCD104RH	40	1	20	0.05	1	0.55	A4R.
SSCD104TH	40	1	25	0.2	1	0.45	A4T.
SSCD106H	60	1	20	0.2	1	0.70	A6.
SSCD110H	100	1	20	0.2	1	0.85	A10.
SSCD115H	150	1	20	0.05	1	0.88	A15.
SSCD120H	200	1	20	0.05	1	0.90	A20.

1 AMPERE / 2010 (Equivalent to DO-214AC / SMA) / Halogen-free

Superchip

 **PATENTED**

SCD5817H	20	1	30	0.5	1	0.45	58 17.
SCD5818H	30	1	30	0.5	1	0.55	58 18.
SCD5819H	40	1	30	0.5	1	0.60	58 19.

1 AMPERE / 2010 (Equivalent to DO-214AC / SMA) / Halogen-free

Superchip

 **PATENTED**

SCD12H	20	1	30	0.2	1	0.50	SCD 12.
SCD12LH	20	1	30	1	1	0.38	SCD 12L.
SCD14H	40	1	30	0.2	1	0.50	SCD 14.
SCD14LH	40	1	30	1	1	0.38	SCD 14L.
SCD14RH	40	1	30	0.05	1	0.55	SCD 14R.
SCD16H	60	1	30	0.2	1	0.70	SCD 16.
SCD16LH	60	1	30	0.5	1	0.55	SCD 16L.
SCD110H	100	1	30	0.2	1	0.85	SCD 110.
SCD115H	150	1	30	0.05	1	0.88	SCD 115.
SCD120H	200	1	30	0.05	1	0.90	SCD 120.

SCHOTTKY BARRIER RECTIFIERS

TYPE	Peak Repetitive Reverse Voltage	Max. Average Rectified Current	Max. Peak Forward Surge Current @8.3ms	Max. Reverse Current @ 25°C T _A	Max. Forward Voltage @ 25°C T _A		Marking
	V _{RRM}	I _O	I _{FSM} (Surge)	I _R	I _F	V _F	
	V	A	A	mA	A	V	

2 AMPERE / 0805 (Equivalent to SOD-323) / Halogen-free Superchip



MSCD202H	20	2	10	0.05	1	0.45	L2.
MSCD204H	40	2	10	0.05	1	0.50	L4.

2 AMPERE / 1206-S (Equivalent to SOD-123) / Halogen-free Superchip



SSCD202SH	20	2	40	0.2	2	0.50	L2S
SSCD204SH	40	2	40	0.2	2	0.50	L4S
SSCD204USH	40	2	40	0.2	2	0.49	US.
SSCD206SH	60	2	40	0.2	2	0.70	L6S
SSCD210SH	100	2	40	0.2	2	0.85	L10S

2 AMPERE / 1206 (Equivalent to SOD-123) / Halogen-free Superchip



SSCD202H	20	2	40	0.2	2	0.50	L2.
SSCD202LH	20	2	40	1	2	0.40	L2L.
SSCD204H	40	2	40	0.2	2	0.50	L4.
SSCD204LH	40	2	40	1	2	0.40	L4L.
SSCD206H	60	2	40	0.2	2	0.70	L6.
SSCD210H	100	2	40	0.2	2	0.85	L10.

2 AMPERE / 2010 (Equivalent to DO-214AC / SMA) / Halogen-free Superchip



SCD22H	20	2	50	0.2	2	0.50	SCD 22.
SCD22LH	20	2	50	1	2	0.40	SCD 22L.
SCD24H	40	2	50	0.2	2	0.50	SCD 24.
SCD24DH	40	2	50	0.15	2	0.47	SCD 24D.
SCD24LH	40	2	50	1	2	0.40	SCD 24L.
SCD24UH	40	2	40	0.2	2	0.49	SCD 24U.
SCD245UH	45	2	40	0.2	2	0.49	SCD 245U.
SCD26H	60	2	50	0.2	2	0.70	SCD 26.
SCD210H	100	2	50	0.2	2	0.85	SCD 210.
SCD215H	150	2	50	0.05	2	0.88	SCD 215.
SCD220H	200	2	50	0.05	2	0.90	SCD 220.

2 AMPERE / 2114 (Equivalent to DO-214AA / SMB) / Halogen-free Superchip



BSCD22H	20	2	50	0.2	2	0.50	BSCD 22.
BSCD24H	40	2	50	0.2	2	0.50	BSCD 24.
BSCD26H	60	2	50	0.2	2	0.70	BSCD 26.
BSCD210H	100	2	50	0.2	2	0.85	BSCD 210.

SCHOTTKY BARRIER RECTIFIERS

TYPE	Peak Repetitive Reverse Voltage	Max. Average Rectified Current	Max. Peak Forward Surge Current @8.3ms	Max. Reverse Current @ 25°C T _A	Max. Forward Voltage @ 25°C T _A		Marking
	V _{RRM}	I _O	I _{FSM} (Surge)	I _R	I _F	V _F	
	V	A	A	mA	A	V	

3 AMPERE / 0805 (Equivalent to SOD-323) / Halogen-free Superchip



MSCD302H	20	3	10	0.05	1	0.45	K 2.
MSCD304H	40	3	10	0.05	1	0.50	K 4.
MSCD306H	60	3	10	0.05	1	0.65	K 6.

3 AMPERE / 1206-S (Equivalent to SOD-123) / Halogen-free Superchip



SSCD304SH	40	3	40	0.2	3	0.55	K4S
SSCD306SH	60	3	40	0.2	3	0.80	K6S

3 AMPERE / 2010 (Equivalent to DO-214AC / SMA) / Halogen-free Superchip



SCD32H	20	3	80	0.2	3	0.50	SCD 32.
SCD32LH	20	3	80	1	3	0.42	SCD 32L.
SCD33PH	30	3	70	0.2	3	0.44	SCD 33P.
SCD34H	40	3	80	0.2	3	0.50	SCD 34.
SCD34LH	40	3	80	1	3	0.42	SCD 34L.
SCD34TH	40	3	80	0.2	3	0.45	SCD 34T.
SCD34DH	40	3	80	0.15	3	0.50	SCD 34D.
SCD34MH	40	3	80	0.1	3	0.55	SCD 34M.
SCD345H	45	3	80	0.2	3	0.50	SCD 345.
SCD345PH	45	3	80	0.2	3	0.48	SCD 345P.
SCD345UH	45	3	80	0.2	3	0.54	SCD 345U.
SCD36H	60	3	80	0.2	3	0.70	SCD 36.
SCD36MH	60	3	70	0.1	3	0.70	SCD 36M.
SCD36RH	60	3	80	0.05	3	0.70	SCD 36R.
SCD310H	100	3	80	0.2	3	0.85	SCD 310.
SCD315H	150	3	80	0.05	3	0.88	SCD 315.
SCD320H	200	3	80	0.05	3	0.90	SCD 320.

3 AMPERE / 2114 (Equivalent to DO-214AA / SMB) / Halogen-free Superchip



BSCD32H	20	3	80	0.5	3	0.50	BSCD 32.
BSCD34H	40	3	80	0.5	3	0.50	BSCD 34.
BSCD34LH	40	3	80	1	3	0.42	BSCD 34L.
BSCD36H	60	3	80	0.5	3	0.70	BSCD 36.
BSCD310H	100	3	80	0.5	3	0.85	BSCD 310.

3 AMPERE / 3220 (Equivalent to DO-214AB / SMC) / Halogen-free Superchip



CSCD32H	20	3	100	0.5	3	0.50	CSCD 32.
CSCD34H	40	3	100	0.5	3	0.50	CSCD 34.
CSCD36H	60	3	100	0.5	3	0.70	CSCD 36.
CSCD310H	100	3	100	0.5	3	0.85	CSCD 310.

SCHOTTKY BARRIER RECTIFIERS

TYPE	Peak Repetitive Reverse Voltage	Max. Average Rectified Current	Max. Peak Forward Surge Current @8.3ms	Max. Reverse Current @ 25°C T _A	Max. Forward Voltage @ 25°C T _A		Marking
	V _{RRM}	I _O	I _{FSM} (Surge)	I _R	I _F	V _F	
	V	A	A	mA	A	V	

5 AMPERE / 2010 (Equivalent to DO-214AC / SMA) / Halogen-free Superchip


PATENTED

SCD53H	30	5 *	80	0.2	3	0.44	SCD53
SCD54H	40	5	70	0.2	5	0.54	SCD54
SCD545H	45	5	100	0.2	5	0.54	SCD545
SCD545UH	45	5	80	0.2	5	0.54	SCD545U

 NOTE : " * " At T_c 83°C

5 AMPERE / 2114 (Equivalent to DO-214AA / SMB) / Halogen-free Superchip


PATENTED

BSCD54H	40	5	105	0.5	5	0.55	BSCD54
BSCD54DH	40	5	120	0.5	5	0.46	BSCD54D
BSCD545ULH *	45	5	130	0.2	5	0.44	BSCD545UL
BSCD56H	60	5	105	0.5	5	0.70	BSCD56
BSCD510H	100	5	105	0.5	5	0.85	BSCD510

NOTE : " * " The objective specification for product development, spec is subject to change, please contact ZOWIE for update.

5 AMPERE / 3220 (Equivalent to DO-214AB / SMC) / Halogen-free Superchip


PATENTED

CSCD52H	20	5	130	0.5	5	0.55	CSCD52
CSCD54H	40	5	130	0.5	5	0.55	CSCD54
CSCD56H	60	5	130	0.5	5	0.70	CSCD56
CSCD510H	100	5	130	0.5	5	0.85	CSCD510
CSCD515H	150	5	105	0.05	5	0.86	CSCD515

8 AMPERE / 2114 (Equivalent to DO-214AA / SMB) / Halogen-free Superchip


PATENTED

BSCD84H	40	8	135	0.5	8	0.55	BSCD84
---------	----	---	-----	-----	---	------	--------

SCHOTTKY BARRIER RECTIFIERS

TYPE	Peak Repetitive Reverse Voltage	Max. Average Rectified Current	Max. Peak Forward Surge Current @8.3ms	Max. Reverse Current @ 25°C T _A	Max. Forward Voltage @ 25°C T _A		Marking
	V _{RRM}	I _O	I _{FSM} (Surge)	I _R	I _F	V _F	
	V	A	A	mA	A	V	

1 AMPERE / DO-214AC (SMA)

SS12	20	1	30	0.5	1	0.50	SS12
SS14	40	1	30	0.5	1	0.50	SS14
SS16	60	1	30	0.5	1	0.70	SS16
SS110	100	1	30	0.5	1	0.85	SS110

1 AMPERE / DO-214AC (SMA) / Halogen-free

SS12H	20	1	30	0.5	1	0.50	SS12.
SS14H	40	1	30	0.5	1	0.50	SS14.
SS16H	60	1	30	0.5	1	0.70	SS16.
SS110H	100	1	30	0.5	1	0.85	SS110.

1 AMPERE / DO-204AL (DO-41)

1N5817	20	1	25	1	1	0.45	1N5817
1N5818	30	1	25	1	1	0.55	1N5818
1N5819	40	1	25	1	1	0.60	1N5819

1 AMPERE / DO-204AL (DO-41) / Halogen-free

1N5817H	20	1	25	1	1	0.45	1N5817.
1N5818H	30	1	25	1	1	0.55	1N5818.
1N5819H	40	1	25	1	1	0.60	1N5819.

1 AMPERE / DO-204AL (DO-41)

SB120	20	1	30	0.5	1	0.50	SB120
SB140	40	1	30	0.5	1	0.50	SB140
SB160	60	1	30	0.5	1	0.70	SB160
SB1100	100	1	30	0.5	1	0.85	SB110

1 AMPERE / DO-204AL (DO-41) / Halogen-free

SB120H	20	1	30	0.5	1	0.50	SB120.
SB140H	40	1	30	0.5	1	0.50	SB140.
SB160H	60	1	30	0.5	1	0.70	SB160.
SB1100H	100	1	30	0.5	1	0.85	SB110.

2 AMPERE / DO-214AC (SMA)

SS22	20	2	50	0.5	2	0.50	SS22
SS24	40	2	50	0.5	2	0.50	SS24
SS26	60	2	50	0.5	2	0.70	SS26
SS210	100	2	50	0.5	2	0.85	SS210

SCHOTTKY BARRIER RECTIFIERS

TYPE	Peak Repetitive Reverse Voltage	Max. Average Rectified Current	Max. Peak Forward Surge Current @8.3ms	Max. Reverse Current @ 25°C T _A	Max. Forward Voltage @ 25°C T _A		Marking
	V _{RRM}	I _O	I _{FSM} (Surge)	I _R	I _F	V _F	
	V	A	A	mA	A	V	

2 AMPERE / DO-214AC (SMA) / Halogen-free



SS22H	20	2	50	0.5	2	0.50	SS22.
SS24H	40	2	50	0.5	2	0.50	SS24.
SS26H	60	2	50	0.5	2	0.70	SS26.
SS210H	100	2	50	0.5	2	0.85	SS210.

2 AMPERE / DO-204AL (DO-41)



SB220	20	2	50	0.5	2	0.50	SB220
SB240	40	2	50	0.5	2	0.50	SB240
SB260	60	2	50	0.5	2	0.70	SB260
SB2100	100	2	50	0.5	2	0.85	SB2100
SB2150	150	2	50	0.5	2	0.87	SB2150
SB2200	200	2	50	0.5	2	0.90	SB2200

2 AMPERE / DO-204AL (DO-41) / Halogen-free



SB220H	20	2	50	0.5	2	0.50	SB220.
SB240H	40	2	50	0.5	2	0.50	SB240.
SB260H	60	2	50	0.5	2	0.70	SB260.
SB2100H	100	2	50	0.5	2	0.85	SB2100.
SB2150H	150	2	50	0.5	2	0.87	SB2150.
SB2200H	200	2	50	0.5	2	0.90	SB2200.

3 AMPERE / DO-214AA (SMB)



SS32	20	3	80	0.5	3	0.50	SS32
SS34	40	3	80	0.5	3	0.50	SS34
SS36	60	3	80	0.5	3	0.70	SS36
SS310	100	3	80	0.5	3	0.85	SS310

3 AMPERE / DO-214AA (SMB) / Halogen-free



SS32H	20	3	80	0.5	3	0.50	SS32.
SS34H	40	3	80	0.5	3	0.50	SS34.
SS36H	60	3	80	0.5	3	0.70	SS36.
SS310H	100	3	80	0.5	3	0.85	SS310.

3 AMPERE / DO-214AB (SMC)



SC32	20	3.0	100	0.5	3	0.50	SC32
SC34	40	3.0	100	0.5	3	0.50	SC34
SC36	60	3.0	100	0.5	3	0.70	SC36
SC310	100	3.0	100	0.5	3	0.85	SC310

SCHOTTKY BARRIER RECTIFIERS

TYPE	Peak Repetitive Reverse Voltage	Max. Average Rectified Current	Max. Peak Forward Surge Current @8.3ms	Max. Reverse Current @ 25°C T _A	Max. Forward Voltage @ 25°C T _A		Marking
	V _{RRM}	I _o	I _{FSM} (Surge)	I _R	I _F	V _F	
	V	A	A	mA	A	V	

3 AMPERE / DO-214AB (SMC) / Halogen-free



SC32H	20	3	100	0.5	3	0.50	SC32.
SC34H	40	3	100	0.5	3	0.50	SC34.
SC36H	60	3	100	0.5	3	0.70	SC36.
SC310H	100	3	100	0.5	3	0.85	SC310.

3 AMPERE / DO-201AD (DO-27)



1N5820	20	3	80	2	3	0.475	1N5820
1N5821	30	3	80	2	3	0.500	1N5821
1N5822	40	3	80	2	3	0.525	1N5822

3 AMPERE / DO-201AD (DO-27) / Halogen-free



1N5820H	20	3	80	2	3	0.475	1N5820.
1N5821H	30	3	80	2	3	0.500	1N5821.
1N5822H	40	3	80	2	3	0.525	1N5822.

3 AMPERE / DO-201AD (DO-27)



SB320	20	3	80	0.5	3	0.50	SB320
SB340	40	3	80	0.5	3	0.50	SB340
SB360	60	3	80	0.5	3	0.70	SB360
SB3100	100	3	80	0.5	3	0.85	SB3100
SB3150	150	3	80	0.05	3	0.87	SB3150
SB3200	200	3	80	0.05	3	0.90	SB3200

3 AMPERE / DO-201AD (DO-27) / Halogen-free



SB320H	20	3	80	0.5	3	0.50	SB320.
SB340H	40	3	80	0.5	3	0.50	SB340.
SB360H	60	3	80	0.5	3	0.70	SB360.
SB3100H	100	3	80	0.5	3	0.85	SB3100.
SB3150H	150	3	80	0.05	3	0.87	SB3150.
SB3200H	200	3	80	0.05	3	0.90	SB3200.

5 AMPERE / DO-214AB (SMC)



SC52	20	5	125	0.5	5	0.55	SC52
SC54	40	5	125	0.5	5	0.55	SC54
SC56	60	5	125	0.5	5	0.70	SC56
SC510	100	5	125	0.5	5	0.85	SC510

SCHOTTKY BARRIER RECTIFIERS

TYPE	Peak Repetitive Reverse Voltage	Max. Average Rectified Current	Max. Peak Forward Surge Current @8.3ms	Max. Reverse Current @ 25°C T _A	Max. Forward Voltage @ 25°C T _A		Marking
	V _{RRM}	I _O	I _{FSM} (Surge)	I _R	I _F	V _F	
	V	A	A	mA	A	V	

5 AMPERE / DO-214AB (SMC) / Halogen-free



SC52H	20	5	125	0.5	5	0.55	SC52.
SC54H	40	5	125	0.5	5	0.55	SC54.
SC56H	60	5	125	0.5	5	0.70	SC56.
SC510H	100	5	125	0.5	5	0.85	SC510.

5 AMPERE / DO-201AD (DO-27)



SB520	20	5	150	0.5	5	0.55	SB520
SB540	40	5	150	0.5	5	0.55	SB540
SB560	60	5	150	0.5	5	0.70	SB560
SB5100	100	5	150	0.5	5	0.85	SB5100
SB5150	150	5	100	0.05	5	0.87	SB5150
SB5200	200	5	100	0.05	5	0.90	SB5200

5 AMPERE / DO-201AD (DO-27) / Halogen-free



SB520H	20	5	150	0.5	5	0.55	SB520.
SB540H	40	5	150	0.5	5	0.55	SB540.
SB560H	60	5	150	0.5	5	0.70	SB560.
SB5100H	100	5	150	0.5	5	0.85	SB5100.
SB5150H	150	5	100	0.05	5	0.87	SB5150.
SB5200H	200	5	100	0.05	5	0.90	SB5200.

8 AMPERE / DO-201AD (DO-27)



SB840	40	8	175	0.5	8	0.55	SB840
SB860	60	8	175	0.5	8	0.70	SB860

8 AMPERE / DO-201AD (DO-27) / Halogen-free



SB840H	40	8	175	0.5	8	0.55	SB840.
SB860H	60	8	175	0.5	8	0.70	SB860.

New Product

MINI SCHOTTKY BRIDGE RECTIFIERS

TYPE	Peak Repetitive Reverse Voltage	Max. Average Rectified Current	Max. Peak Forward Surge Current @8.3ms	Max. Reverse Current @ 25°C T _A	Max. Forward Voltage @ 25°C T _A		Marking
	V _{RRM}	I _O	I _{FSM} (Surge)	I _R	I _F	V _F	
	V	A	A	mA	A	V	

NEW

1 AMPERE / MBCN / Halogen-free

Ultra Mini Bridge



PATENTED

SLX104MH	40	1	20	0.1	1	0.55	104 M
SLX106UH	60	1	20	0.05	1	0.60	106 U

NEW

2 AMPERE / MBCN / Halogen-free

Ultra Mini Bridge



PATENTED

SLX204MH	40	2	40	0.1	2	0.55	204 M
SLX204MAH	40	2	30	0.1	2	0.57	204 MA
SLX204UH	40	2	40	0.2	2	0.49	204 U
SLX206UH	60	2	40	0.25	2	0.57	206 U

BRIDGE

SCHOTTKY BRIDGE RECTIFIERS (SuperChip™)

SCHOTTKY BRIDGE RECTIFIERS

TYPE	Peak Repetitive Reverse Voltage	Max. Average Rectified Current	Max. Peak Forward Surge Current @8.3ms	Max. Reverse Current @ 25°C T _A	Max. Forward Voltage @ 25°C T _A		Marking
	V _{RRM}	I _O	I _{FSM} (Surge)	I _R	I _F	V _F	
	V	A	A	mA	A	V	

1 AMPERE / MBC / Halogen-free Superchip



SMBC104H	40	1	30	0.2	1	0.50	SMBC 104.
SMBC106H	60	1	30	0.2	1	0.70	SMBC 106.
SMBC110H	100	1	30	0.2	1	0.85	SMBC 110.

Low VF

1 AMPERE / MBC / Halogen-free Superchip



SMBC104LH	40	1	30	1	1	0.40	SMBC 104L.
-----------	----	---	----	---	---	------	---------------

2 AMPERE / MBC / Halogen-free Superchip



SMBC204H	40	2	50	0.2	2	0.50	SMBC 204.
SMBC206H	60	2	50	0.2	2	0.70	SMBC 206.
SMBC210H	100	2	50	0.2	2	0.85	SMBC 210.

Low VF

2 AMPERE / MBC / Halogen-free Superchip



SMBC204LH	40	2	50	1	2	0.42	SMBC 204L.
-----------	----	---	----	---	---	------	---------------

Low VF

3 AMPERE / MBC / Halogen-free Superchip



SMBC304MH	40	3	65	0.1	3	0.55	SMBC 304M.
SMBC306MH	60	3	80	0.05	3	0.70	SMBC 306M.

TO-220 / ITO-220 SCHOTTKY BARRIER RECTIFIERS

TYPE	Peak Repetitive Reverse Voltage	Max. Average Rectified Current	Max. Peak Forward Surge Current @8.3ms	Max. Reverse Current @ 25°C T _A	Max. Forward Voltage @ 25°C T _A		Operating Junction Temp.
	V _{RRM}	I _O	I _{FSM} (Surge)	I _R	I _F	V _F	T _J
	V	A	A	mA	A	V	°C

Low VF

10 AMPERE / TO-220AB

SBL1045UCTS	45	10	100	0.25	5	0.54	150
SBL1060UCTS	60	10	100	0.25	5	0.60	150
TBR10100CTS	100	10	100	0.10	5	0.77	150

NOTE : The objective specification for product development, spec is subject to change, please contact ZOWIE for updated status.

10 AMPERE / TO-220AB / Halogen-free

SBL1040CTSH	40	10	150	0.20	5	0.55	125
SBL1045CTSH	45	10	150	0.20	5	0.55	125
SBL1060CTSH	60	10	150	0.20	5	0.70	125
MBR10100CTSH	100	10	150	0.01	5	0.82	150
MBR10150CTSH	150	10	175	0.005	5	0.88	175
MBR10200CTSH	200	10	175	0.005	5	0.90	175

Low VF

10 AMPERE / ITO-220AB

SBL1045UCFS	45	10	100	0.25	5	0.54	150
SBL1060UCFS	60	10	100	0.25	5	0.60	150
TBR10100CFS	100	10	100	0.10	5	0.77	150

NOTE : The objective specification for product development, spec is subject to change, please contact ZOWIE for updated status.

10 AMPERE / ITO-220AB / Halogen-free

SBL1040CFSH	40	10	150	0.20	5	0.55	125
SBL1045CFSH	45	10	150	0.20	5	0.55	125
SBL1060CFSH	60	10	150	0.20	5	0.70	125
MBR10100CFSH	100	10	150	0.01	5	0.82	150
MBR10150CFSH	150	10	175	0.005	5	0.88	175
MBR10200CFSH	200	10	175	0.005	5	0.90	175

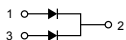
Low VF

20 AMPERE / TO-220AB

SBL2045UCTS	45	20	160	0.25	10	0.51	150
SBL2060UCTS	60	20	160	0.25	10	0.57	150
TBR20100CTS	100	20	160	0.10	10	0.73	150

NOTE : The objective specification for product development, spec is subject to change, please contact ZOWIE for updated status.

CKT connection of TO-220AB and ITO-220AB



TO-220 / ITO-220 SCHOTTKY BARRIER RECTIFIERS

TYPE	Peak Repetitive Reverse Voltage	Max. Average Rectified Current	Max. Peak Forward Surge Current @8.3ms	Max. Reverse Current @ 25°C TA	Max. Forward Voltage @ 25°C TA		Operating Junction Temp.
	V _{RRM}	I _o	I _{FSM} (Surge)	I _R	I _F	V _F	T _j
	V	A	A	mA	A	V	°C



20 AMPERE / TO-220AB / Halogen-free

SBL2040CTSH	40	20	200	0.50	10	0.55	125
SBL2045CTSH	45	20	200	0.50	10	0.55	125
SBL2060CTSH	60	20	200	0.50	10	0.70	125
MBR20100CTSH	100	20	200	0.01	10	0.82	150
MBR20150CTSH	150	20	200	0.005	10	0.90	175
MBR20200CTSH	200	20	200	0.005	10	0.90	175

Low VF

20 AMPERE / ITO-220AB



SBL2045UCFS	45	20	160	0.25	10	0.51	150
SBL2060UCFS	60	20	160	0.25	10	0.57	150
TBR20100CFS	100	20	160	0.10	10	0.73	150

NOTE : The objective specification for product development, spec is subject to change, please contact ZOWIE for updated status.



20 AMPERE / ITO-220AB / Halogen-free

SBL2040CFSH	40	20	200	0.50	10	0.55	125
SBL2045CFSH	45	20	200	0.50	10	0.55	125
SBL2060CFSH	60	20	200	0.50	10	0.70	125
MBR20100CFSH	100	20	200	0.01	10	0.82	150
MBR20150CFSH	150	20	200	0.005	10	0.90	175
MBR20200CFSH	200	20	200	0.005	10	0.90	175

Low VF

30 AMPERE / TO-220AB



SBL3045UCTS	45	30	275	0.35	15	0.54	150
SBL3045UDCTS	45	30	275	0.35	15	0.52	150
SBL3060UCTS	60	30	275	0.25	15	0.61	150
SBL3060UDCTS	60	30	275	0.50	15	0.59	150
TBR30100CTS	100	30	200	0.15	15	0.75	150

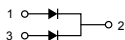
NOTE : The objective specification for product development, spec is subject to change, please contact ZOWIE for updated status.



30 AMPERE / TO-220AB / Halogen-free

SBL3040CTSH	40	30	275	0.50	15	0.55	125
SBL3045CTSH	45	30	275	0.50	15	0.55	125
SBL3060CTSH	60	30	275	0.50	15	0.70	125
MBR30100CTSH	100	30	275	0.01	15	0.85	150
MBR30150CTSH	150	30	275	0.005	15	0.88	175
MBR30200CTSH	200	30	275	0.005	15	0.90	175

NOTE : CKT connection of TO-220AB and ITO-220AB



TO-220 / ITO-220 SCHOTTKY BARRIER RECTIFIERS

TYPE	Peak Repetitive Reverse Voltage	Max. Average Rectified Current	Max. Peak Forward Surge Current @8.3ms	Max. Reverse Current @ 25°C T _A	Max. Forward Voltage @ 25°C T _A		Operating Junction Temp.
	V _{RRM}	I _o	I _{FSM} (Surge)	I _R	I _F	V _F	T _j
	V	A	A	mA	A	V	°C

Low VF

30 AMPERE / ITO-220AB



SBL3045UCFS	45	30	275	0.35	15	0.54	150
SBL3045UDCFS	45	30	275	0.35	15	0.52	150
SBL3060UCFS	60	30	275	0.25	15	0.61	150
SBL3060UDCFS	60	30	275	0.50	15	0.59	150
TBR30100CFS	100	30	200	0.15	15	0.75	150

NOTE : The objective specification for product development, spec is subject to change, please contact ZOWIE for updated status.

30 AMPERE / ITO-220AB / Halogen-free



SBL3040CFSH	40	30	275	0.50	15	0.55	125
SBL3045CFSH	45	30	275	0.50	15	0.55	125
SBL3060CFSH	60	30	275	0.50	15	0.70	125
MBR30100CFSH	100	30	275	0.01	15	0.85	150
MBR30150CFSH	150	30	275	0.005	15	0.88	175
MBR30200CFSH	200	30	275	0.005	15	0.90	175

Low VF

40 AMPERE / TO-220AB



SBL4045UCTS	45	40	300	0.35	20	0.55	150
SBL4060UCTS	60	40	300	0.50	20	0.61	150
TBR40100CTS	100	40	250	0.20	20	0.82	150

NOTE : The objective specification for product development, spec is subject to change, please contact ZOWIE for updated status.

Low VF

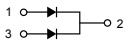
40 AMPERE / ITO-220AB



SBL4045UCFS	45	40	300	0.35	20	0.55	150
SBL4060UCFS	60	40	300	0.50	20	0.61	150
TBR40100CFS	100	40	250	0.20	20	0.82	150

NOTE : The objective specification for product development, spec is subject to change, please contact ZOWIE for updated status.

CKT connection of TO-220AB and ITO-220AB



SINTERED GLASS PASSIVATED JUNCTION RECTIFIERS

TYPE	Peak Repetitive Reverse Voltage	Max. Average Rectified Current	Max. Peak Forward Surge Current @8.3ms	Max. Reverse Current @ 25°C T _A	Max. Forward Voltage @ 25°C T _A		Marking
	V _{RRM}	I _O	I _{FSM} (Surge)	I _R	I _F	V _F	
	V	A	A	uA	A	V	

1 AMPERE / 1206-S (Equivalent to SOD-123) / Halogen-free Superchip Superex II

 **PATENTED**

SGC10DH	200	1	15	2	1	1.00	10 DD.
SGC10DLH	200	1	35	5	1	0.95	10 DL.
SGC10GH	400	1	15	2	1	1.00	10 DG.
SGC10GLH	400	1	35	5	1	0.95	10 GL.
SGC10JH	600	1	15	2	1	1.00	10 DJ.
SGC10JLH	600	1	35	5	1	0.95	10 JL.
SGC10KH	800	1	15	2	1	1.00	10 DK.
SGC10KLH	800	1	35	5	1	0.95	10 KL.
SGC10MH	1000	1	15	2	1	1.00	10 DM.
SGC10MLH	1000	1	35	5	1	0.95	10 ML.

1 AMPERE / 1206 (Equivalent to SOD-87 , GL1M , SOD-123) / Halogen-free Superchip Superex II

 **PATENTED**

BYD17ZDH	200	1	30	1	1	1.00	17 ZD.
BYD17ZDLH	200	1	40	5	1	0.93	17 ZDL.
BYD17ZGH	400	1	30	1	1	1.00	17 ZG.
BYD17ZGLH	400	1	40	5	1	0.93	17 ZGL.
BYD17ZJH	600	1	30	1	1	1.00	17 ZJ.
BYD17ZJLH	600	1	40	5	1	0.93	17 ZJL.
BYD17ZKH	800	1	30	1	1	1.00	17 ZK.
BYD17ZKLH	800	1	40	5	1	0.93	17 ZKL.
BYD17ZMH	1000	1	30	1	1	1.00	17 ZM.
BYD17ZMLH	1000	1	40	5	1	0.93	17 ZML.

1 AMPERE / 2010 (Equivalent to DO-214AC / SMA) / Halogen-free Superchip Superex II

 **PATENTED**

GC10DH	200	1	30	5	1	1.00	GC 10D.
GC10DLH	200	1	40	5	1	0.93	GC 10DL.
GC10GH	400	1	30	5	1	1.00	GC 10G.
GC10GLH	400	1	40	5	1	0.93	GC 10GL.
GC10JH	600	1	30	5	1	1.00	GC 10J.
GC10JLH	600	1	40	5	1	0.93	GC 10JL.
GC10KH	800	1	30	5	1	1.00	GC 10K.
GC10KLH	800	1	40	5	1	0.93	GC 10KL.
GC10MH	1000	1	30	5	1	1.00	GC 10M.
GC10MLH	1000	1	40	5	1	0.93	GC 10ML.

SINTERED GLASS PASSIVATED JUNCTION RECTIFIERS

TYPE	Peak Repetitive Reverse Voltage	Max. Average Rectified Current	Max. Peak Forward Surge Current @8.3ms	Max. Reverse Current @ 25°C T _A	Max. Forward Voltage @ 25°C T _A		Marking
	V _{RRM}	I _o	I _{FSM} (Surge)	I _R	I _F	V _F	
	V	A	A	uA	A	V	

1 AMPERE / R-1 Suprex II


PATENTED

G110D	200	1	25	5	1	1.00	G1D
G110DL	200	1	30	5	1	0.92	G1DL
G110G	400	1	25	5	1	1.00	G1G
G110GL	400	1	30	5	1	0.92	G1GL
G110J	600	1	25	5	1	1.00	G1J
G110JL	600	1	30	5	1	0.92	G1JL
G110K	800	1	25	5	1	1.00	G1K
G110KL	800	1	30	5	1	0.93	G1KL
G110M	1000	1	25	5	1	1.00	G1M
G110ML	1000	1	30	5	1	0.93	G1ML

1 AMPERE / DO-204AL (DO-41) Suprex II


PATENTED

GP10D	200	1	30	5	1	1.00	GP10D
GP10DL	200	1	50	5	1	0.90	GP10DL
GP10G	400	1	30	5	1	1.00	GP10G
GP10GL	400	1	50	5	1	0.90	GP10GL
GP10J	600	1	30	5	1	1.00	GP10J
GP10JL	600	1	50	5	1	0.90	GP10JL
GP10K	800	1	30	5	1	1.00	GP10K
GP10KL	800	1	50	5	1	0.92	GP10KL
GP10M	1000	1	30	5	1	1.00	GP10M
GP10ML	1000	1	50	5	1	0.92	GP10ML
GP10Q	1200	1	30	5	1	1.25	GP10Q
GP10V	1400	1	30	5	1	1.25	GP10V
GP10Y	1600	1	30	5	1	1.25	GP10Y
GP02-20	2000	1	30	5	1	2.00	GP02-20

1 AMPERE / DO-214AC (SMA) Suprex II


PATENTED

GF10D	200	1	30	5	1	1.00	S10D
GF10DL	200	1	45	5	1	0.91	S10DL
GF10G	400	1	30	5	1	1.00	S10G
GF10GL	400	1	45	5	1	0.91	S10GL
GF10J	600	1	30	5	1	1.00	S10J
GF10JL	600	1	45	5	1	0.91	S10JL
GF10K	800	1	30	5	1	1.00	S10K
GF10KL	800	1	40	5	1	0.92	S10KL
GF10M	1000	1	30	5	1	1.00	S10M
GF10ML	1000	1	40	5	1	0.92	S10ML
GF10Q	1200	1	30	5	1	1.25	S10Q
GF10Y	1600	1	30	5	1	1.25	S10Y
GF02-20	2000	1	30	5	1	2.00	S02-20

SINTERED GLASS PASSIVATED JUNCTION RECTIFIERS

TYPE	Peak Repetitive Reverse Voltage	Max. Average Rectified Current	Max. Peak Forward Surge Current @8.3ms	Max. Reverse Current @ 25°C T _A	Max. Forward Voltage @ 25°C T _A		Marking
	V _{RRM}	I _O	I _{FSM} (Surge)	I _R	I _F	V _F	
	V	A	A	uA	A	V	

2 AMPERE / 2010 (Equivalent to DO-214AC / SMA) / Halogen-free Superchip Superex II



GC20DH	200	2	50	5	2	1.00	GC20D.
GC20DLH	200	2	65	5	2	0.93	GC20DL.
GC20GH	400	2	50	5	2	1.00	GC20G.
GC20GLH	400	2	65	5	2	0.93	GC20GL.
GC20JH	600	2	50	5	2	1.00	GC20J.
GC20JLH	600	2	65	5	2	0.93	GC20JL.
GC20KH	800	2	50	5	2	1.00	GC20K.
GC20KLH	800	2	60	5	2	0.93	GC20KL.
GC20MH	1000	2	50	5	2	1.00	GC20M.
GC20MLH	1000	2	60	5	2	0.93	GC20ML.

2 AMPERE / 2114 (Equivalent to DO-214AA / SMB) / Halogen-free Superchip Superex II



BGC20DH	200	2	50	5	2	1.00	BGC20D.
BGC20DLH	200	2	65	5	2	0.93	BGC20DL.
BGC20GH	400	2	50	5	2	1.00	BGC20G.
BGC20GLH	400	2	65	5	2	0.93	BGC20GL.
BGC20JH	600	2	50	5	2	1.00	BGC20J.
BGC20JLH	600	2	65	5	2	0.93	BGC20JL.
BGC20KH	800	2	50	5	2	1.00	BGC20K.
BGC20KLH	800	2	60	5	2	0.93	BGC20KL.
BGC20MH	1000	2	50	5	2	1.00	BGC20M.
BGC20MLH	1000	2	60	5	2	0.93	BGC20ML.

2 AMPERE / DO-204AC (DO-15) Superex II



GP20D	200	2	65	5	2	1.00	GP20D
GP20DL	200	2	100	5	2	0.90	GP20DL
GP20G	400	2	65	5	2	1.00	GP20G
GP20GL	400	2	100	5	2	0.90	GP20GL
GP20J	600	2	65	5	2	1.00	GP20J
GP20JL	600	2	100	5	2	0.90	GP20JL
GP20K	800	2	65	5	2	1.00	GP20K
GP20KL	800	2	100	5	2	0.92	GP20KL
GP20M	1000	2	65	5	2	1.00	GP20M
GP20ML	1000	2	100	5	2	0.92	GP20ML

SINTERED GLASS PASSIVATED JUNCTION RECTIFIERS

TYPE	Peak Repetitive Reverse Voltage	Max. Average Rectified Current	Max. Peak Forward Surge Current @8.3ms	Max. Reverse Current @ 25°C TA	Max. Forward Voltage @ 25°C TA		Marking
	V _{RRM}	I _o	I _{FSM} (Surge)	I _R	I _F	V _F	
	V	A	A	uA	A	V	

2 AMPERE / DO-214AA (SMB) Superex II


PATENTED

GF20D	200	2	65	5	2	1.00	S20D
GF20DL	200	2	85	5	2	0.91	S20DL
GF20G	400	2	65	5	2	1.00	S20G
GF20GL	400	2	85	5	2	0.91	S20GL
GF20J	600	2	65	5	2	1.00	S20J
GF20JL	600	2	85	5	2	0.91	S20JL
GF20K	800	2	65	5	2	1.00	S20K
GF20KL	800	2	75	5	2	0.92	S20KL
GF20M	1000	2	65	5	2	1.00	S20M
GF20ML	1000	2	75	5	2	0.92	S20ML

3 AMPERE / 2114 (Equivalent to DO-214AA / SMB) / Halogen-free Superchip Superex II


PATENTED

BGC30DH	200	3	95	5	3	1.00	BGC30D.
BGC30DLH	200	3	115	5	3	0.93	BGC30DL.
BGC30GH	400	3	95	5	3	1.00	BGC30G.
BGC30GLH	400	3	115	5	3	0.93	BGC30GL.
BGC30JH	600	3	95	5	3	1.00	BGC30J.
BGC30JLH	600	3	115	5	3	0.93	BGC30JL.
BGC30KH	800	3	95	5	3	1.00	BGC30K.
BGC30KLH	800	3	110	5	3	0.93	BGC30KL.
BGC30MH	1000	3	95	5	3	1.00	BGC30M.
BGC30MLH	1000	3	110	5	3	0.93	BGC30ML.

3 AMPERE / 3220 (Equivalent to DO-214AB / SMC) / Halogen-free Superchip Superex II


PATENTED

CGC30DH	200	3	100	5	3	1.00	CGC30D.
CGC30DLH	200	3	120	5	3	0.93	CGC30DL.
CGC30GH	400	3	100	5	3	1.00	CGC30G.
CGC30GLH	400	3	120	5	3	0.93	CGC30GL.
CGC30JH	600	3	100	5	3	1.00	CGC30J.
CGC30JLH	600	3	120	5	3	0.93	CGC30JL.
CGC30KH	800	3	100	5	3	1.00	CGC30K.
CGC30KLH	800	3	120	5	3	0.93	CGC30KL.
CGC30MH	1000	3	100	5	3	1.00	CGC30M.
CGC30MLH	1000	3	120	5	3	0.93	CGC30ML.

SINTERED GLASS PASSIVATED JUNCTION RECTIFIERS

TYPE	Peak Repetitive Reverse Voltage	Max. Average Rectified Current	Max. Peak Forward Surge Current @8.3ms	Max. Reverse Current @ 25°C T _A	Max. Forward Voltage @ 25°C T _A		Marking
	V _{RRM}	I _O	I _{FSM} (Surge)	I _R	I _F	V _F	
	V	A	A	μA	A	V	

3 AMPERE / DO-201AD (DO-27) Superex II



PATENTED

GP30D	200	3	125	5	3	1.00	GP30D
GP30DL	200	3	140	5	3	0.90	GP30DL
GP30G	400	3	125	5	3	1.00	GP30G
GP30GL	400	3	140	5	3	0.90	GP30GL
GP30J	600	3	125	5	3	1.00	GP30J
GP30JL	600	3	140	5	3	0.90	GP30JL
GP30K	800	3	125	5	3	1.00	GP30K
GP30KL	800	3	140	5	3	0.92	GP30KL
GP30M	1000	3	125	5	3	1.00	GP30M
GP30ML	1000	3	140	5	3	0.92	GP30ML

3 AMPERE / DO-214AA (SMB) Superex II



PATENTED

GF30D	200	3	115	5	3	1.00	S30D
GF30DL	200	3	140	5	3	0.91	S30DL
GF30G	400	3	115	5	3	1.00	S30G
GF30GL	400	3	140	5	3	0.91	S30GL
GF30J	600	3	115	5	3	1.00	S30J
GF30JL	600	3	140	5	3	0.91	S30JL
GF30K	800	3	115	5	3	1.00	S30K
GF30KL	800	3	125	5	3	0.92	S30KL
GF30M	1000	3	115	5	3	1.00	S30M
GF30ML	1000	3	125	5	3	0.92	S30ML

10 AMPERE / R-6 Superex II



PATENTED

GP100GC	400	10	400	0.2	10	1.00	GP100GC
---------	-----	----	-----	-----	----	------	---------

10 AMPERE / P-600 Superex II



PATENTED

GP100G	400	10	400	0.2	10	1.00	GP100G
--------	-----	----	-----	-----	----	------	--------

SINTERED GLASS PASSIVATED JUNCTION FAST RECOVERY RECTIFIERS

TYPE	Peak Repetitive Reverse Voltage	Max. Average Rectified Current	Max. Peak Forward Surge Current @8.3ms	Max. Reverse Current @ 25°C T _A	Max. Forward Voltage @ 25°C T _A		Max. Reverse Recovery Time	Marking
	V _{RRM}	I _o	I _{FSM} (Surge)	I _R	I _F	V _F	T _{RR} @RG1	
	V	A	A	uA	A	V	nS	

1 AMPERE / 1206-S (Equivalent to SOD-123) / Halogen-free Superchip Superex II

 **PATENTED**

SRGC10DH	200	1	15	5	1	1.30	150	10 RD.
SRGC10GH	400	1	15	5	1	1.30	150	10 RG.
SRGC10JH	600	1	15	5	1	1.30	250	10 RJ.
SRGC10KH	800	1	15	5	1	1.30	300	10 RK.
SRGC10MH	1000	1	15	5	1	1.30	300	10 RM.

1 AMPERE / 1206 (Equivalent to SOD-87 , GL1M , SOD-123) / Halogen-free Superchip Superex II

 **PATENTED**

BYD37ZDH	200	1	30	1	1	1.30	250	37 ZD.
BYD37ZGH	400	1	30	1	1	1.30	250	37 ZG.
BYD37ZJH	600	1	30	1	1	1.30	250	37 ZJ.
BYD37ZKH	800	1	30	1	1	1.30	300	37 ZK.
BYD37ZMH	1000	1	30	1	1	1.30	300	37 ZM.

1 AMPERE / 2010 (Equivalent to DO-214AC / SMA) / Halogen-free Superchip Superex II

 **PATENTED**

RGC10DH	200	1	30	5	1	1.30	150	RGC 10D.
RGC10GH	400	1	30	5	1	1.30	150	RGC 10G.
RGC10JH	600	1	30	5	1	1.30	250	RGC 10J.
RGC10KH	800	1	30	5	1	1.30	300	RGC 10K.
RGC10MH	1000	1	30	5	1	1.30	500	RGC 10M.
RGC10MLH	1000	1	60	1	1	1.20	500	RGC 10ML.

1 AMPERE / R-1 Superex II

 **PATENTED**

RG110D	200	1	25	5	1	1.30	150	R1D
RG110G	400	1	25	5	1	1.30	150	R1G
RG110J	600	1	25	5	1	1.30	250	R1J
RG110K	800	1	25	5	1	1.30	500	R1K
RG110M	1000	1	25	5	1	1.30	500	R1M

1 AMPERE / DO-204AL (DO-41) Superex II

 **PATENTED**

RGP10D	200	1	30	5	1	1.30	150	RGP10D
RGP10G	400	1	30	5	1	1.30	150	RGP10G
RGP10J	600	1	30	5	1	1.30	250	RGP10J
RGP10JA	600	1	30	5	1	1.30	150	RGP10JA
RGP10K	800	1	30	5	1	1.30	500	RGP10K
RGP10KA	800	1	30	5	1	1.30	300	RGP10KA
RGP10M	1000	1	30	5	1	1.30	500	RGP10M
RGP10MA	1000	1	30	5	1	1.30	300	RGP10MA

SINTERED GLASS PASSIVATED JUNCTION FAST RECOVERY RECTIFIERS

TYPE	Peak Repetitive Reverse Voltage	Max. Average Rectified Current	Max. Peak Forward Surge Current @8.3ms	Max. Reverse Current @ 25°C T _A	Max. Forward Voltage @ 25°C T _A		Max. Reverse Recovery Time	Marking
	V _{RRM}	I _O	I _{FSM} (Surge)	I _R	I _F	V _F	T _{RR} @RG1	
	V	A	A	uA	A	V	nS	

1 AMPERE / DO-204AL (DO-41) Superex II

 **PATENTED**

RGP02-12	1200	1	20	5	1	1.80	300	RGP02-12
RGP02-15	1500	1	20	5	1	1.80	300	RGP02-15
RGP02-18	1800	1	20	5	1	1.80	300	RGP02-18
RGP02-20	2000	1	20	5	1	1.80	300	RGP02-20

1 AMPERE / DO-214AC (SMA) Superex II

 **PATENTED**

RGF10D	200	1	30	5	1	1.30	150	R10D
RGF10G	400	1	30	5	1	1.30	150	R10G
RGF10J	600	1	30	5	1	1.30	250	R10J
RGF10JA	600	1	30	5	1	1.30	150	R10JA
RGF10K	800	1	30	5	1	1.30	500	R10K
RGF10KA	800	1	30	5	1	1.30	300	R10KA
RGF10M	1000	1	30	5	1	1.30	500	R10M
RGF10MA	1000	1	30	5	1	1.30	300	R10MA

2 AMPERE / 2010 (Equivalent to DO-214AC / SMA) / Halogen-free Superchip Superex II

 **PATENTED**

RGC20DH	200	2	60	5	2	1.30	150	RGC 20D.
RGC20GH	400	2	60	5	2	1.30	150	RGC 20G.
RGC20JH	600	2	60	5	2	1.30	250	RGC 20J.
RGC20KH	800	2	60	5	2	1.30	300	RGC 20K.
RGC20MH	1000	2	60	5	2	1.30	500	RGC 20M.

2 AMPERE / 2114 (Equivalent to DO-214AA / SMB) / Halogen-free Superchip Superex II

 **PATENTED**

BRGC20DH	200	2	60	5	2	1.30	150	BRGC 20D.
BRGC20GH	400	2	60	5	2	1.30	150	BRGC 20G.
BRGC20JH	600	2	60	5	2	1.30	250	BRGC 20J.
BRGC20KH	800	2	60	5	2	1.30	300	BRGC 20K.
BRGC20MH	1000	2	60	5	2	1.30	500	BRGC 20M.

2 AMPERE / DO-204AC (DO-15) Superex II

 **PATENTED**

RGP20D	200	2	65	5	2	1.30	150	RGP20D
RGP20G	400	2	65	5	2	1.30	150	RGP20G
RGP20J	600	2	65	5	2	1.30	250	RGP20J
RGP20JA	600	2	65	5	2	1.30	150	RGP20JA
RGP20K	800	2	65	5	2	1.30	500	RGP20K
RGP20KA	800	2	65	5	2	1.30	300	RGP20KA
RGP20M	1000	2	65	5	2	1.30	500	RGP20M
RGP20MA	1000	2	65	5	2	1.30	300	RGP20MA

SINTERED GLASS PASSIVATED JUNCTION FAST RECOVERY RECTIFIERS

TYPE	Peak Repetitive Reverse Voltage	Max. Average Rectified Current	Max. Peak Forward Surge Current @8.3ms	Max. Reverse Current @ 25°C T _A	Max. Forward Voltage @ 25°C T _A		Max. Reverse Recovery Time	Marking
	V _{RRM}	I _o	I _{FSM} (Surge)	I _R	I _F	V _F	T _{RR @RG1}	
	V	A	A	uA	A	V	nS	

2 AMPERE / DO-214AA (SMB) Superex II



RGF20D	200	2	65	5	2	1.30	150	R20D
RGF20G	400	2	65	5	2	1.30	150	R20G
RGF20J	600	2	65	5	2	1.30	250	R20J
RGF20JA	600	2	65	5	2	1.30	150	R20JA
RGF20K	800	2	65	5	2	1.30	500	R20K
RGF20KA	800	2	65	5	2	1.30	300	R20KA
RGF20M	1000	2	65	5	2	1.30	500	R20M
RGF20MA	1000	2	65	5	2	1.30	300	R20MA

3 AMPERE / 2114 (Equivalent to DO-214AA / SMB) / Halogen-free Superchip Superex II



BRGC30DH	200	3	100	5	3	1.30	150	BRGC 30D.
BRGC30GH	400	3	100	5	3	1.30	150	BRGC 30G.
BRGC30JH	600	3	100	5	3	1.30	250	BRGC 30J.
BRGC30KH	800	3	100	5	3	1.30	300	BRGC 30K.
BRGC30MH	1000	3	100	5	3	1.30	500	BRGC 30M.

3 AMPERE / DO-201AD (DO-27) Superex II



RGP30D	200	3	125	5	3	1.30	150	RGP30D
RGP30G	400	3	125	5	3	1.30	150	RGP30G
RGP30J	600	3	125	5	3	1.30	250	RGP30J
RGP30JA	600	3	125	5	3	1.30	150	RGP30JA
RGP30K	800	3	125	5	3	1.30	500	RGP30K
RGP30KA	800	3	125	5	3	1.30	300	RGP30KA
RGP30M	1000	3	125	5	3	1.30	500	RGP30M
RGP30MA	1000	3	125	5	3	1.30	300	RGP30MA

3 AMPERE / DO-214AA (SMB) Superex II



RGF30D	200	3	115	5	3	1.30	150	R30D
RGF30G	400	3	115	5	3	1.30	150	R30G
RGF30J	600	3	115	5	3	1.30	250	R30J
RGF30JA	600	3	115	5	3	1.30	150	R30JA
RGF30K	800	3	115	5	3	1.30	500	R30K
RGF30KA	800	3	115	5	3	1.30	300	R30KA
RGF30M	1000	3	115	5	3	1.30	500	R30M
RGF30MA	1000	3	115	5	3	1.30	300	R30MA

SINTERED GLASS PASSIVATED JUNCTION HIGH EFFICIENCY RECTIFIERS

TYPE	Peak Repetitive Reverse Voltage	Max. Average Rectified Current	Max. Peak Forward Surge Current @8.3ms	Max. Reverse Current @ 25°C T _A	Max. Forward Voltage @ 25°C T _A		Max. Reverse Recovery Time	Marking
	V _{RRM}	I _o	I _{FSM} (Surge)	I _R	I _F	V _F	T _{RR} @RG1	
	V	A	A	uA	A	V	nS	

1 AMPERE / 1206-S (Equivalent to SOD-123) / Halogen-free Superchip Superex II



SEGC10DH	200	1	15	5	1	1.00	50	10 ED.
SEGC10GH	400	1	15	5	1	1.25	50	10 EG.
SEGC10JH	600	1	15	5	1	1.70	75	10 EJ.
SEGC10KH	800	1	15	5	1	1.70	75	10 EK.
SEGC10MH	1000	1	15	5	1	1.70	75	10 EM.

1 AMPERE / 1206 (Equivalent to SOD-87 , GL1M , SOD-123) / Halogen-free Superchip Superex II



BYD57ZDH	200	1	30	5	1	1.70	50	57 ZD.
BYD57ZGH	400	1	30	5	1	1.70	50	57 ZG.
BYD57ZJH	600	1	30	5	1	1.70	50	57 ZJ.
BYD57ZKH	800	1	25	5	1	1.70	75	57 ZK.
BYD57ZMH	1000	1	25	5	1	1.70	75	57 ZM.

1 AMPERE / 2010 (Equivalent to DO-214AC / SMA) / Halogen-free Superchip Superex II



EGC10DH	200	1	30	5	1	1.00	50	EGC 10D.
EGC10GH	400	1	30	5	1	1.25	50	EGC 10G.
EGC10JH	600	1	25	5	1	1.70	75	EGC 10J.
EGC10KH	800	1	25	5	1	1.70	75	EGC 10K.
EGC10MH	1000	1	25	5	1	1.70	75	EGC 10M.

1 AMPERE / R-1 Superex II



EG110D	200	1	25	5	1	1.00	50	E1D
EG110G	400	1	25	5	1	1.25	50	E1G
EG110J	600	1	25	5	1	1.70	75	E1J
EG110K	800	1	25	5	1	1.70	75	E1K
EG110M	1000	1	25	5	1	1.70	75	E1M

1 AMPERE / DO-204AL (DO-41) Superex II



EGP10D	200	1	30	5	1	1.00	50	EGP10D
EGP10G	400	1	30	5	1	1.25	50	EGP10G
EGP10J	600	1	30	5	1	1.70	75	EGP10J
EGP10K	800	1	30	5	1	1.70	75	EGP10K
EGP10M	1000	1	30	5	1	1.70	75	EGP10M

SINTERED GLASS PASSIVATED JUNCTION HIGH EFFICIENCY RECTIFIERS

TYPE	Peak Repetitive Reverse Voltage	Max. Average Rectified Current	Max. Peak Forward Surge Current @8.3ms	Max. Reverse Current @ 25°C T _A	Max. Forward Voltage @ 25°C T _A		Max. Reverse Recovery Time	Marking
	V _{RRM}	I _O	I _{FSM} (Surge)	I _R	I _F	V _F	T _{RR} @RG1	
	V	A	A	uA	A	V	nS	

1 AMPERE / DO-214AC (SMA) Superex II

 **PATENTED**

EGF10D	200	1	30	5	1	1.00	50	E10D
EGF10G	400	1	30	5	1	1.25	50	E10G
EGF10J	600	1	30	5	1	1.70	75	E10J
EGF10K	800	1	30	5	1	1.70	75	E10K
EGF10M	1000	1	30	5	1	1.70	75	E10M

2 AMPERE / 2010 (Equivalent to DO-214AC / SMA) / Halogen-free Superchip Superex II

 **PATENTED**

EGC20DH	200	2	50	5	2	1.00	50	EGC 20D.
EGC20GH	400	2	50	5	2	1.25	50	EGC 20G.
EGC20JH	600	2	50	5	2	1.70	75	EGC 20J.
EGC20KH	800	2	50	5	2	1.70	75	EGC 20K.
EGC20MH	1000	2	50	5	2	1.70	75	EGC 20M.

2 AMPERE / 2114 (Equivalent to DO-214AA / SMB) / Halogen-free Superchip Superex II

 **PATENTED**

BEGC20DH	200	2	50	5	2	1.00	50	BEGC 20D.
BEGC20GH	400	2	50	5	2	1.25	50	BEGC 20G.
BEGC20JH	600	2	50	5	2	1.70	75	BEGC 20J.
BEGC20KH	800	2	50	5	2	1.70	75	BEGC 20K.
BEGC20MH	1000	2	50	5	2	1.70	75	BEGC 20M.

2 AMPERE / DO-204AC (DO-15) Superex II

 **PATENTED**

EGP20D	200	2	65	5	2	1.00	50	EGP20D
EGP20G	400	2	65	5	2	1.25	50	EGP20G
EGP20J	600	2	60	5	2	1.70	75	EGP20J
EGP20K	800	2	60	5	2	1.70	75	EGP20K
EGP20M	1000	2	60	5	2	1.70	75	EGP20M

2 AMPERE / DO-214AA (SMB) Superex II

 **PATENTED**

EGF20D	200	2	65	5	2	1.00	50	E20D
EGF20G	400	2	65	5	2	1.25	50	E20G
EGF20J	600	2	60	5	2	1.70	75	E20J
EGF20K	800	2	60	5	2	1.70	75	E20K
EGF20M	1000	2	60	5	2	1.70	75	E20M

SINTERED GLASS PASSIVATED JUNCTION HIGH EFFICIENCY RECTIFIERS

TYPE	Peak Repetitive Reverse Voltage	Max. Average Rectified Current	Max. Peak Forward Surge Current @8.3ms	Max. Reverse Current @ 25°C T _A	Max. Forward Voltage @ 25°C T _A		Max. Reverse Recovery Time	Marking
	V _{RRM}	I _O	I _{FSM} (Surge)	I _R	I _F	V _F	T _{RR} @RG1	
	V	A	A	uA	A	V	nS	

3 AMPERE / 2114 (Equivalent to DO-214AA / SMB) / Halogen-free Superchip Superex II



BEGC30DH	200	3	95	5	3	1.00	50	BEGC30D.
BEGC30GH	400	3	95	5	3	1.25	50	BEGC30G.
BEGC30JH	600	3	95	5	3	1.70	75	BEGC30J.
BEGC30KH	800	3	95	5	3	1.70	75	BEGC30K.
BEGC30MH	1000	3	95	5	3	1.70	75	BEGC30M.

3 AMPERE / DO-201AD (DO-27) Superex II



EGP30D	200	3	125	5	3	1.00	50	EGP30D
EGP30G	400	3	125	5	3	1.25	50	EGP30G
EGP30J	600	3	115	5	3	1.70	75	EGP30J
EGP30K	800	3	115	5	3	1.70	75	EGP30K
EGP30M	1000	3	115	5	3	1.70	75	EGP30M

3 AMPERE / DO-214AA (SMB) Superex II



EGF30D	200	3	115	5	3	1.00	50	E30D
EGF30G	400	3	115	5	3	1.25	50	E30G
EGF30J	600	3	105	5	3	1.70	75	E30J
EGF30K	800	3	105	5	3	1.70	75	E30K
EGF30M	1000	3	105	5	3	1.70	75	E30M

5 AMPERE / DO-201AD (DO-27) Superex II



EGP50D	200	5	150	5	5	1.25	50	EGP50D
EGP50G	400	5	150	5	5	1.25	50	EGP50G

SINTERED GLASS PASSIVATED JUNCTION HIGH EFFICIENCY RECTIFIERS

TYPE	Peak Repetitive Reverse Voltage	Max. Average Rectified Current	Max. Peak Forward Surge Current @8.3ms	Max. Reverse Current @ 25°C T _A	Max. Forward Voltage @ 25°C T _A		Max. Reverse Recovery Time	Marking
	V _{RRM}	I _o	I _{FSM} (Surge)	I _R	I _F	V _F	T _{RR} @RG1	
	V	A	A	uA	A	V	nS	

10 AMPERE / TO-220AB

EGZ10DCT	200	10	125	5	5	1.00	50	EGZ10DCT
EGZ10GCT	400	10	125	5	5	1.25	50	EGZ10GCT
EGZ10JCT	600	10	125	5	5	1.70	75	EGZ10JCT

10 AMPERE / ITO-220AB

EGZ10DCF	200	10	125	5	5	1.00	50	EGZ10DCF
EGZ10GCF	400	10	125	5	5	1.25	50	EGZ10GCF
EGZ10JCF	600	10	125	5	5	1.70	75	EGZ10JCF

12 AMPERE / TO-220AB

EGZ12DCT	200	12	125	5	6	1.00	50	EGZ12DCT
EGZ12GCT	400	12	125	5	6	1.25	50	EGZ12GCT
EGZ12JCT	600	12	125	5	6	1.70	75	EGZ12JCT

12 AMPERE / ITO-220AB

EGZ12DCF	200	12	125	5	6	1.00	50	EGZ12DCF
EGZ12GCF	400	12	125	5	6	1.25	50	EGZ12GCF
EGZ12JCF	600	12	125	5	6	1.70	75	EGZ12JCF

16 AMPERE / TO-220AB

EGZ16DCT	200	16	125	5	8	1.00	50	EGZ16DCT
EGZ16GCT	400	16	125	5	8	1.25	50	EGZ16GCT
EGZ16JCT	600	16	125	5	8	1.70	75	EGZ16JCT

16 AMPERE / ITO-220AB

EGZ16DCF	200	16	125	5	8	1.00	50	EGZ16DCF
EGZ16GCF	400	16	125	5	8	1.25	50	EGZ16GCF
EGZ16JCF	600	16	125	5	8	1.70	75	EGZ16JCF

20 AMPERE / TO-220AB

EGZ20DCT	200	20	150	5	10	1.00	50	EGZ20DCT
EGZ20GCT	400	20	150	5	10	1.25	50	EGZ20GCT
EGZ20JCT	600	20	150	5	10	1.70	75	EGZ20JCT

20 AMPERE / ITO-220AB

EGZ20DCF	200	20	150	5	10	1.00	50	EGZ20DCF
EGZ20GCF	400	20	150	5	10	1.25	50	EGZ20GCF
EGZ20JCF	600	20	150	5	10	1.70	75	EGZ20JCF

NOTE : CKT connection of TO-220AB



SINTERED GLASS PASSIVATED JUNCTION ULTRAFAST RECTIFIERS

TYPE	Peak Repetitive Reverse Voltage	Max. Average Rectified Current	Max. Peak Forward Surge Current @8.3ms	Max. Reverse Current @ 25°C T _A	Max. Forward Voltage @ 25°C T _A		Max. Reverse Recovery Time	Marking
	V _{RRM}	I _O	I _{FSM} (Surge)	I _R	I _F	V _F	T _{RR} @RG1	
	V	A	A	μA	A	V	nS	

0.8 AMPERE / 1206-S (Equivalent to SOD-123) / Halogen-free Superchip Superex II

PATENTED

SUGC08KH	800	0.8	15	5	0.8	2.50	35	08 UK.
----------	-----	-----	----	---	-----	------	----	--------

1 AMPERE / 1206-S (Equivalent to SOD-123) / Halogen-free Superchip Superex II

PATENTED

SUGC10DH	200	1	15	5	1	0.96	35	10 UD.
SUGC10GH	400	1	15	5	1	1.30	35	10 UG.
SUGC10JH	600	1	15	5	1	1.70	35	10 UJ.
SUGC10KH	800	1	15	5	1	2.50	35	10 UK.

1 AMPERE / 1206 (Equivalent to SOD-87 , GL1M , SOD-123) / Halogen-free Superchip Superex II

PATENTED

BYD77ZDH	200	1	30	1	1	1.00	50	77 ZD.
BYD77ZGH	400	1	30	1	1	1.00	50	77 ZG.

1 AMPERE / 1206 (Equivalent to SOD-87 , GL1M , SOD-123) / Halogen-free Superchip Superex II

PATENTED

BYD127ZH	200	1	30	2	1	0.96	35	127 Z.
BYD147ZH	400	1	30	5	1	1.30	35	147 Z.
BYD167ZH	600	1	25	5	1	1.70	35	167 Z.
BYD187ZH	800	1	25	5	1	2.50	35	187 Z.

1 AMPERE / 2010 (Equivalent to DO-214AC / SMA) / Halogen-free Superchip Superex II

PATENTED

UGC10DH	200	1	30	5	1	0.95	35	UGC 10D.
UGC10GH	400	1	30	5	1	1.25	35	UGC 10G.
UGC10JH	600	1	25	5	1	1.70	35	UGC 10J.
UGC10KH	800	1	25	5	1	2.20	35	UGC 10K.

1 AMPERE / R-1 Superex II

PATENTED

UG110D	200	1	25	5	1	0.95	35	U1D
UG110G	400	1	25	5	1	1.25	35	U1G
UG110J	600	1	25	5	1	1.70	35	U1J
UG110K	800	1	25	5	1	2.20	35	U1K

SINTERED GLASS PASSIVATED JUNCTION ULTRAFAST RECTIFIERS

TYPE	Peak Repetitive Reverse Voltage	Max. Average Rectified Current	Max. Peak Forward Surge Current @8.3ms	Max. Reverse Current @ 25°C T _A	Max. Forward Voltage @ 25°C T _A		Max. Reverse Recovery Time	Marking
	V _{RRM}	I _o	I _{FSM} (Surge)	I _R	I _F	V _F	T _{RR @RG1}	
	V	A	A	uA	A	V	nS	

1 AMPERE / DO-204AL (DO-41)
Superex II



PATENTED

UGP10D	200	1	30	5	1	0.95	35	UGP10D
UGP10G	400	1	30	5	1	1.25	35	UGP10G
UGP10J	600	1	25	5	1	1.70	35	UGP10J
UGP10K	800	1	25	5	1	2.20	35	UGP10K

1 AMPERE / DO-214AC (SMA)
Superex II



PATENTED

UGF10D	200	1	30	5	1	0.95	35	U10D
UGF10G	400	1	30	5	1	1.25	35	U10G
UGF10J	600	1	25	5	1	1.70	35	U10J
UGF10K	800	1	25	5	1	2.20	35	U10K

2 AMPERE / 2010 (Equivalent to DO-214AC / SMA) / Halogen-free
Superchip Superex II



PATENTED

UGC20DH	200	2	50	5	2	0.95	35	UGC 20D.
UGC20GH	400	2	50	5	2	1.25	35	UGC 20G.
UGC20JH	600	2	50	5	2	1.70	35	UGC 20J.
UGC20KH	800	2	50	5	2	2.20	35	UGC 20K.

2 AMPERE / 2114 (Equivalent to DO-214AA / SMB) / Halogen-free
Superchip Superex II



PATENTED

BUGC20DH	200	2	50	5	2	0.95	35	BUGC 20D.
BUGC20GH	400	2	50	5	2	1.25	35	BUGC 20G.
BUGC20JH	600	2	50	5	2	1.70	35	BUGC 20J.
BUGC20KH	800	2	50	5	2	2.20	35	BUGC 20K.

2 AMPERE / DO-204AC (DO-15)
Superex II



PATENTED

UGP20D	200	2	65	5	2	0.95	35	UGP20D
UGP20G	400	2	65	5	2	1.25	35	UGP20G
UGP20J	600	2	60	5	2	1.70	35	UGP20J
UGP20K	800	2	60	5	2	2.20	35	UGP20K

SINTERED GLASS PASSIVATED JUNCTION ULTRAFAST RECTIFIERS

TYPE	Peak Repetitive Reverse Voltage	Max. Average Rectified Current	Max. Peak Forward Surge Current @8.3ms	Max. Reverse Current @ 25°C T _A	Max. Forward Voltage @ 25°C T _A		Max. Reverse Recovery Time	Marking
	V _{RRM}	I _O	I _{FSM} (Surge)	I _R	I _F	V _F	T _{RR @RG1}	
	V	A	A	μA	A	V	nS	

2 AMPERE / DO-214AA (SMB) Superex II

 **PATENTED**

UGF20D	200	2	65	5	2	0.95	35	U20D
UGF20G	400	2	65	5	2	1.25	35	U20G
UGF20J	600	2	60	5	2	1.70	35	U20J
UGF20K	800	2	60	5	2	2.20	35	U20K

3 AMPERE / 2114 (Equivalent to DO-214AA / SMB) / Halogen-free Superchip Superex II

 **PATENTED**

BUGC30DH	200	3	90	5	3	0.95	35	BUGC30D.
BUGC30GH	400	3	90	5	3	1.25	35	BUGC30G.
BUGC30JH	600	3	90	5	3	1.70	35	BUGC30J.
BUGC30KH	800	3	90	5	3	2.20	35	BUGC30K.

3 AMPERE / DO-201AD (DO-27) Superex II

 **PATENTED**

UGP30D	200	3	125	5	3	0.95	35	UGP30D
UGP30G	400	3	125	5	3	1.25	35	UGP30G
UGP30J	600	3	115	5	3	1.70	35	UGP30J
UGP30K	800	3	115	5	3	2.20	35	UGP30K

3 AMPERE / DO-214AA (SMB) Superex II

 **PATENTED**

UGF30D	200	3	115	5	3	0.95	35	U30D
UGF30G	400	3	115	5	3	1.25	35	U30G
UGF30J	600	3	105	5	3	1.70	35	U30J
UGF30K	800	3	105	5	3	2.20	35	U30K

4 AMPERE / DO-201AD (DO-27) Superex II

 **PATENTED**

MUR420	200	4	150	10	4	1.28	50	MUR420
MUR460	600	4	150	10	4	1.28	50	MUR460

5 AMPERE / DO-201AD (DO-27) Superex II

 **PATENTED**

UGP50D	200	5	150	5	5	1.10	35	UGP50D
UGP50G	400	5	150	5	5	1.25	35	UGP50G
UGP50J	600	5	150	5	5	1.70	35	UGP50J

SINTERED GLASS PASSIVATED JUNCTION ULTRAFAST RECTIFIERS

TYPE	Peak Repetitive Reverse Voltage	Max. Average Rectified Current	Max. Peak Forward Surge Current @8.3ms	Max. Reverse Current @ 25°C T _A	Max. Forward Voltage @ 25°C T _A		Max. Reverse Recovery Time	Marking
	V _{RRM}	I _O	I _{FSM} (Surge)	I _R	I _F	V _F	T _{RR} @RG1	
	V	A	A	uA	A	V	nS	

6 AMPERE / TO-220AC



UGZ6DT	200	6	90	5	6	1.10	35	UGZ6DT
UGZ6GT	400	6	90	5	6	1.30	35	UGZ6GT
UGZ6JT	600	6	90	5	6	1.70	35	UGZ6JT

6 AMPERE / ITO-220AC



UGZ6DF	200	6	90	5	6	1.10	35	UGZ6DF
UGZ6GF	400	6	90	5	6	1.30	35	UGZ6GF
UGZ6JF	600	6	90	5	6	1.70	35	UGZ6JF

8 AMPERE / TO-220AC



UGZ8DT	200	8	125	5	8	1.10	35	UGZ8DT
UGZ8GT	400	8	125	5	8	1.30	35	UGZ8GT
UGZ8JT	600	8	125	5	8	1.70	35	UGZ8JT

8 AMPERE / ITO-220AC



UGZ8DF	200	8	125	5	8	1.10	35	UGZ8DF
UGZ8GF	400	8	125	5	8	1.30	35	UGZ8GF
UGZ8JF	600	8	125	5	8	1.70	35	UGZ8JF

10 AMPERE / TO-220AC



UGZ10DT	200	10	150	5	10	1.10	35	UGZ10DT
UGZ10GT	400	10	150	5	10	1.30	35	UGZ10GT
UGZ10JT	600	10	150	5	10	1.70	35	UGZ10JT

10 AMPERE / ITO-220AC



UGZ10DF	200	10	150	5	10	1.10	35	UGZ10DF
UGZ10GF	400	10	150	5	10	1.30	35	UGZ10GF
UGZ10JF	600	10	150	5	10	1.70	35	UGZ10JF

NOTE : CKT connection of TO-220AC



SINTERED GLASS PASSIVATED JUNCTION ULTRAFAST RECTIFIERS

TYPE	Peak Repetitive Reverse Voltage	Max. Average Rectified Current	Max. Peak Forward Surge Current @8.3ms	Max. Reverse Current @ 25°C T _A	Max. Forward Voltage @ 25°C T _A		Max. Reverse Recovery Time	Marking
	V _{RRM}	I _o	I _{FSM} (Surge)	I _R	I _F	V _F	T _{RR} @RG1	
	V	A	A	uA	A	V	nS	

10 AMPERE / TO-220AB

UGZ10DCT	200	10	125	5	5	1.10	35	UGZ10DCT
UGZ10GCT	400	10	125	5	5	1.30	35	UGZ10GCT
UGZ10JCT	600	10	125	5	5	1.70	35	UGZ10JCT

10 AMPERE / ITO-220AB

UGZ10DCF	200	10	125	5	5	1.10	35	UGZ10DCF
UGZ10GCF	400	10	125	5	5	1.30	35	UGZ10GCF
UGZ10JCF	600	10	125	5	5	1.70	35	UGZ10JCF

16 AMPERE / TO-220AB

UGZ16DCT	200	16	150	5	8	1.10	35	UGZ16DCT
UGZ16GCT	400	16	125	5	8	1.30	35	UGZ16GCT
UGZ16JCT	600	16	125	5	8	1.70	35	UGZ16JCT

16 AMPERE / ITO-220AB

UGZ16DCF	200	16	150	5	8	1.10	35	UGZ16DCF
UGZ16GCF	400	16	125	5	8	1.30	35	UGZ16GCF
UGZ16JCF	600	16	125	5	8	1.70	35	UGZ16JCF

20 AMPERE / TO-220AB

UGZ20DCT	200	20	150	5	10	1.10	35	UGZ20DCT
UGZ20GCT	400	20	125	5	10	1.30	35	UGZ20GCT
UGZ20JCT	600	20	125	5	10	1.70	35	UGZ20JCT

20 AMPERE / ITO-220AB

UGZ20DCF	200	20	150	5	10	1.10	35	UGZ20DCF
UGZ20GCF	400	20	125	5	10	1.30	35	UGZ20GCF
UGZ20JCF	600	20	125	5	10	1.70	35	UGZ20JCF

NOTE : CKT connection of TO-220AB



MINI BRIDGE RECTIFIERS

TYPE	Peak Repetitive Reverse Voltage	Max. Average Rectified Current	Max. Peak Forward Surge Current @8.3ms	Max. Reverse Current @ 25°C T _A	Max. Forward Voltage @ 25°C T _A		Marking
	V _{RRM}	I _o	I _{FSM} (Surge)	I _R	I _F	V _F	
	V	A	A	uA	A	V	

0.8 AMPERE / MBC / Halogen-free
Superchip Superex II



PATENTED

MBC08JH	600	0.8	30	5	0.4	0.90	MBC08J.
MBC08KH	800	0.8	30	5	0.4	0.90	MBC08K.
MBC08MH	1000	0.8	30	5	0.4	0.90	MBC08M.

LUX-Bridge™

0.8 AMPERE / MBCN / Halogen-free
Ultra Mini Bridge



LX08MS	1000	0.8	20	5	0.4	1.00	M
--------	------	-----	----	---	-----	------	---

LUX-Bridge™

1 AMPERE / MBCN / Halogen-free
Ultra Mini Bridge



LX10M	1000	1	30	5	0.4	1.00	M
-------	------	---	----	---	-----	------	---

1 AMPERE / MBC / Halogen-free
Superchip Superex II



PATENTED

MBC10JH	600	1	30	5	1	1.00	MBC10J.
MBC10KH	800	1	30	5	1	1.00	MBC10K.
MBC10MH	1000	1	30	5	1	1.00	MBC10M.

1 AMPERE / MBCR / Halogen-free
Superchip Superex II



PATENTED

MBCR10JH	600	1	30	5	1	1.00	MBCR10J.
MBCR10JLH	600	1	45	5	1	0.95	MBCR10JL.
MBCR10KH	800	1	30	5	1	1.00	MBCR10K.
MBCR10KLH	800	1	45	5	1	0.95	MBCR10KL.
MBCR10MH	1000	1	30	5	1	1.00	MBCR10M.
MBCR10MLH	1000	1	45	5	1	0.95	MBCR10ML.

1 AMPERE / MBCR / Halogen-free



MBCR10MPH	1000	1	30	5	1	1.10	MBCR10MP.
-----------	------	---	----	---	---	------	-----------

New Product

ZPAK™ HIGH THERMAL PERFORMANCE BRIDGE RECTIFIERS

TYPE	Peak Repetitive Reverse Voltage	Max. Average Rectified Current	Max. Peak Forward Surge Current @8.3ms	Max. Reverse Current @ 25°C T _A	Max. Forward Voltage @ 25°C T _A		Marking
	V _{RRM}	I _O	I _{FSM} (Surge)	I _R	I _F	V _F	
	V	A	A	uA	A	V	

NEW

1.6 AMPERE / Z4PAK / Halogen-free
ZPAK™ (High Thermal Performance Package)



PATENTED

Z4GP16MPH	1000	1.6	50	5	1	0.95	Z4GP 16MP.
-----------	------	-----	----	---	---	------	---------------

NEW

2 AMPERE / Z4PAK / Halogen-free
ZPAK™ (High Thermal Performance Package)



PATENTED

Z4GP20JH	600	2	50	5	2	1.00	Z4GP 20J.
Z4GP20JLH	600	2	60	5	2	0.95	Z4GP 20JL.
Z4GP20KH	800	2	50	5	2	1.00	Z4GP 20K.
Z4GP20MH	1000	2	50	5	2	1.00	Z4GP 20M.

NEW

4 AMPERE / Z4PAK-D / Halogen-free
ZPAK™ (High Thermal Performance Package)



PATENTED

Z4GP40JH	600	4	150	5	4	1.00	Z4GP 40J.
Z4GP40JLH	600	4	150	5	4	0.95	Z4GP 40JL.
Z4GP40KH	800	4	150	5	4	1.00	Z4GP 40K.
Z4GP40MH	1000	4	150	5	4	1.00	Z4GP 40M.

New Product

ZPAK™ HIGH THERMAL PERFORMANCE FAST RECOVERY BRIDGE RECTIFIERS

TYPE	Peak Repetitive Reverse Voltage	Max. Average Rectified Current	Max. Peak Forward Surge Current @8.3ms	Max. Reverse Current @ 25°C T _A	Max. Forward Voltage @ 25°C T _A		Max. Reverse Recovery Time	Marking
	V _{RRM}	I _O	I _{FSM} (Surge)	I _R	I _F	V _F	T _{RR} @RG1	
	V	A	A	uA	A	V	nS	

NEW

2 AMPERE / Z4PAK / Halogen-free
ZPAK™ (High Thermal Performance Package)



PATENTED

Z4RGP20MH	1000	2	56	5	2	1.25	500	Z4RGP 20M.
-----------	------	---	----	---	---	------	-----	---------------

SINTERED GLASS PASSIVATED JUNCTION BRIDGE RECTIFIERS

TYPE	Peak Repetitive Reverse Voltage	Max. Average Rectified Current	Max. Peak Forward Surge Current @8.3ms	Max. Reverse Current @ 25°C T _A	Max. Forward Voltage @ 25°C T _A		Marking
	V _{RRM}	I _o	I _{FSM} (Surge)	I _R	I _F	V _F	
	V	A	A	uA	A	V	



1 AMPERE / DFM

DF02	200	1	30	5	1	1.10	DF02
DF04	400	1	30	5	1	1.10	DF04
DF06	600	1	30	5	1	1.10	DF06
DF08	800	1	30	5	1	1.10	DF08
DF10	1000	1	30	5	1	1.10	DF10



1 AMPERE / DFM / Halogen-free

DF02H	200	1	30	5	1	1.10	DF02.
DF04H	400	1	30	5	1	1.10	DF04.
DF06H	600	1	30	5	1	1.10	DF06.
DF08H	800	1	30	5	1	1.10	DF08.
DF10H	1000	1	30	5	1	1.10	DF10.



1 AMPERE / DFS

DF02S	200	1	30	5	1	1.10	DF02S
DF04S	400	1	30	5	1	1.10	DF04S
DF06S	600	1	30	5	1	1.10	DF06S
DF08S	800	1	30	5	1	1.10	DF08S
DF10S	1000	1	30	5	1	1.10	DF10S



1 AMPERE / DFS / Halogen-free

DF02SH	200	1	30	5	1	1.10	DF02S.
DF04SH	400	1	30	5	1	1.10	DF04S.
DF06SH	600	1	30	5	1	1.10	DF06S.
DF08SH	800	1	30	5	1	1.10	DF08S.
DF10SH	1000	1	30	5	1	1.10	DF10S.



1.5 AMPERE / DFM

DF1502	200	1.5	50	5	1.5	1.10	DF1502
DF1504	400	1.5	50	5	1.5	1.10	DF1504
DF1506	600	1.5	50	5	1.5	1.10	DF1506
DF1508	800	1.5	50	5	1.5	1.10	DF1508
DF1510	1000	1.5	50	5	1.5	1.10	DF1510



1.5 AMPERE / DFM / Halogen-free

DF1502H	200	1.5	50	5	1.5	1.10	DF1502.
DF1504H	400	1.5	50	5	1.5	1.10	DF1504.
DF1506H	600	1.5	50	5	1.5	1.10	DF1506.
DF1508H	800	1.5	50	5	1.5	1.10	DF1508.
DF1510H	1000	1.5	50	5	1.5	1.10	DF1510.

SINTERED GLASS PASSIVATED JUNCTION BRIDGE RECTIFIERS

TYPE	Peak Repetitive Reverse Voltage	Max. Average Rectified Current	Max. Peak Forward Surge Current @8.3ms	Max. Reverse Current @ 25°C TA	Max. Forward Voltage @ 25°C TA		Marking
	V _{RRM}	I _O	I _{FSM} (Surge)	I _R	I _F	V _F	
	V	A	A	uA	A	V	

1.5 AMPERE / DFS

DF1502S	200	1.5	50	5	1.5	1.10	DF1502S
DF1504S	400	1.5	50	5	1.5	1.10	DF1504S
DF1506S	600	1.5	50	5	1.5	1.10	DF1506S
DF1508S	800	1.5	50	5	1.5	1.10	DF1508S
DF1510S	1000	1.5	50	5	1.5	1.10	DF1510S

1.5 AMPERE / DFS / Halogen-free

DF1502SH	200	1.5	50	5	1.5	1.10	DF1502S.
DF1504SH	400	1.5	50	5	1.5	1.10	DF1504S.
DF1506SH	600	1.5	50	5	1.5	1.10	DF1506S.
DF1508SH	800	1.5	50	5	1.5	1.10	DF1508S.
DF1510SH	1000	1.5	50	5	1.5	1.10	DF1510S.

2 AMPERE / GBP

GBP202	200	2	60	5	2	1.10	GBP202
GBP204	400	2	60	5	2	1.10	GBP204
GBP206	600	2	60	5	2	1.10	GBP206
GBP208	800	2	60	5	2	1.10	GBP208
GBP210	1000	2	60	5	2	1.10	GBP210

2 AMPERE / GBP / Halogen-free

GBP202H	200	2	60	5	2	1.10	GBP202.
GBP204H	400	2	60	5	2	1.10	GBP204.
GBP206H	600	2	60	5	2	1.10	GBP206.
GBP208H	800	2	60	5	2	1.10	GBP208.
GBP210H	1000	2	60	5	2	1.10	GBP210.

NEW Low VF 4 AMPERE / GBPS-LF Superex II

GBPS402LF	200	4	145	5	2	0.92	GBPS402 LF
GBPS404LF	400	4	145	5	2	0.92	GBPS404 LF
GBPS406LF	600	4	145	5	2	0.92	GBPS406 LF
GBPS408LF	800	4	140	5	2	0.92	GBPS408 LF
GBPS410LF	1000	4	140	5	2	0.92	GBPS410 LF

4 AMPERE / KBJ

KBJ4D	200	4	120	5	2	1.00	KBJ4D
KBJ4G	400	4	120	5	2	1.00	KBJ4G
KBJ4J	600	4	120	5	2	1.00	KBJ4J
KBJ4K	800	4	120	5	2	1.00	KBJ4K
KBJ4M	1000	4	120	5	2	1.00	KBJ4M

SINTERED GLASS PASSIVATED JUNCTION BRIDGE RECTIFIERS

TYPE	Peak Repetitive Reverse Voltage	Max. Average Rectified Current	Max. Peak Forward Surge Current @8.3ms	Max. Reverse Current @ 25°C T _A	Max. Forward Voltage @ 25°C T _A		Marking
	V _{RRM}	I _o	I _{FSM} (Surge)	I _R	I _F	V _F	
	V	A	A	uA	A	V	

4 AMPERE / KBJ / Halogen-free

KBJ4DH	200	4	120	5	2	1.00	KBJ4D.
KBJ4GH	400	4	120	5	2	1.00	KBJ4G.
KBJ4JH	600	4	120	5	2	1.00	KBJ4J.
KBJ4KH	800	4	120	5	2	1.00	KBJ4K.
KBJ4MH	1000	4	120	5	2	1.00	KBJ4M.

4 AMPERE / KBL

KBL02	200	4	125	5	2	1.10	KBL02
KBL04	400	4	125	5	2	1.10	KBL04
KBL06	600	4	125	5	2	1.10	KBL06
KBL08	800	4	125	5	2	1.10	KBL08
KBL10	1000	4	125	5	2	1.10	KBL10

4 AMPERE / KBL / Halogen-free

KBL02H	200	4	125	5	2	1.10	KBL02.
KBL04H	400	4	125	5	2	1.10	KBL04.
KBL06H	600	4	125	5	2	1.10	KBL06.
KBL08H	800	4	125	5	2	1.10	KBL08.
KBL10H	1000	4	125	5	2	1.10	KBL10.

4 AMPERE / GBL

GBL02	200	4	150	5	2	1.00	GBL02
GBL04	400	4	150	5	2	1.00	GBL04
GBL06	600	4	150	5	2	1.00	GBL06
GBL08	800	4	150	5	2	1.00	GBL08
GBL10	1000	4	150	5	2	1.00	GBL10

4 AMPERE / GBL / Halogen-free

GBL02H	200	4	150	5	2	1.00	GBL02.
GBL04H	400	4	150	5	2	1.00	GBL04.
GBL06H	600	4	150	5	2	1.00	GBL06.
GBL08H	800	4	150	5	2	1.00	GBL08.
GBL10H	1000	4	150	5	2	1.00	GBL10.

Low VF

4 AMPERE / GBL-LS *Superex II*

GBL02LS	200	4	160	5	2	0.89	GBL02 LS
GBL04LS	400	4	160	5	2	0.89	GBL04 LS
GBL06LS	600	4	160	5	2	0.89	GBL06 LS
GBL08LS	800	4	135	5	2	0.90	GBL08 LS
GBL10LS	1000	4	135	5	2	0.90	GBL10 LS

PATENTED 

SINTERED GLASS PASSIVATED JUNCTION BRIDGE RECTIFIERS

TYPE	Peak Repetitive Reverse Voltage	Max. Average Rectified Current	Max. Peak Forward Surge Current @8.3ms	Max. Reverse Current @ 25°C TA	Max. Forward Voltage @ 25°C TA		Marking
	V _{RRM}	I _O	I _{FSM} (Surge)	I _R	I _F	V _F	
	V	A	A	uA	A	V	



4 AMPERE / GBU

GBU402	200	4	150	5	2	1.00	GBU402
GBU404	400	4	150	5	2	1.00	GBU404
GBU406	600	4	150	5	2	1.00	GBU406
GBU408	800	4	150	5	2	1.00	GBU408
GBU410	1000	4	150	5	2	1.00	GBU410



4 AMPERE / GBU / Halogen-free

GBU402H	200	4	150	5	2	1.00	GBU402.
GBU404H	400	4	150	5	2	1.00	GBU404.
GBU406H	600	4	150	5	2	1.00	GBU406.
GBU408H	800	4	150	5	2	1.00	GBU408.
GBU410H	1000	4	150	5	2	1.00	GBU410.

NEW LowVF

4 AMPERE / GBU-LC Superex II

GBU402LC	200	4	160	5	2	0.89	GBU402 LC
GBU404LC	400	4	160	5	2	0.89	GBU404 LC
GBU406LC	600	4	160	5	2	0.89	GBU406 LC
GBU408LC	800	4	135	5	2	0.90	GBU408 LC
GBU410LC	1000	4	135	5	2	0.90	GBU410 LC

PATENTED



6 AMPERE / KBJ

KBJ6D	200	6	170	5	3	1.00	KBJ6D
KBJ6G	400	6	170	5	3	1.00	KBJ6G
KBJ6J	600	6	170	5	3	1.00	KBJ6J
KBJ6K	800	6	170	5	3	1.00	KBJ6K
KBJ6M	1000	6	170	5	3	1.00	KBJ6M



6 AMPERE / KBJ / Halogen-free

KBJ6DH	200	6	170	5	3	1.00	KBJ6D.
KBJ6GH	400	6	170	5	3	1.00	KBJ6G.
KBJ6JH	600	6	170	5	3	1.00	KBJ6J.
KBJ6KH	800	6	170	5	3	1.00	KBJ6K.
KBJ6MH	1000	6	170	5	3	1.00	KBJ6M.



6 AMPERE / GBU

GBU602	200	6	175	5	3	1.00	GBU602
GBU604	400	6	175	5	3	1.00	GBU604
GBU606	600	6	175	5	3	1.00	GBU606
GBU608	800	6	175	5	3	1.00	GBU608
GBU610	1000	6	175	5	3	1.00	GBU610

SINTERED GLASS PASSIVATED JUNCTION BRIDGE RECTIFIERS

TYPE	Peak Repetitive Reverse Voltage	Max. Average Rectified Current	Max. Peak Forward Surge Current @8.3ms	Max. Reverse Current @ 25°C T _A	Max. Forward Voltage @ 25°C T _A		Marking
	V _{RRM}	I _O	I _{FSM} (Surge)	I _R	I _F	V _F	
	V	A	A	μA	A	V	

6 AMPERE / GBU / Halogen-free

GBU602H	200	6	175	5	3	1.00	GBU602.
GBU604H	400	6	175	5	3	1.00	GBU604.
GBU606H	600	6	175	5	3	1.00	GBU606.
GBU608H	800	6	175	5	3	1.00	GBU608.
GBU610H	1000	6	175	5	3	1.00	GBU610.

NEW Low VF

6 AMPERE / GBU-LC Superex II

GBU602LC	200	6	200	5	3	0.89	GBU602 LC
GBU604LC	400	6	200	5	3	0.89	GBU604 LC
GBU606LC	600	6	200	5	3	0.89	GBU606 LC
GBU608LC	800	6	175	5	3	0.90	GBU608 LC
GBU610LC	1000	6	175	5	3	0.90	GBU610 LC

8 AMPERE / GBJ

GBJ8D	200	8	170	5	4	1.00	GBJ8D
GBJ8G	400	8	170	5	4	1.00	GBJ8G
GBJ8J	600	8	170	5	4	1.00	GBJ8J
GBJ8K	800	8	170	5	4	1.00	GBJ8K
GBJ8M	1000	8	170	5	4	1.00	GBJ8M

8 AMPERE / GBJ / Halogen-free

GBJ8DH	200	8	170	5	4	1.00	GBJ8D.
GBJ8GH	400	8	170	5	4	1.00	GBJ8G.
GBJ8JH	600	8	170	5	4	1.00	GBJ8J.
GBJ8KH	800	8	170	5	4	1.00	GBJ8K.
GBJ8MH	1000	8	170	5	4	1.00	GBJ8M.

8 AMPERE / GBU

GBU802	200	8	200	5	4	1.00	GBU802
GBU804	400	8	200	5	4	1.00	GBU804
GBU806	600	8	200	5	4	1.00	GBU806
GBU808	800	8	200	5	4	1.00	GBU808
GBU810	1000	8	200	5	4	1.00	GBU810

8 AMPERE / GBU / Halogen-free

GBU802H	200	8	200	5	4	1.00	GBU802.
GBU804H	400	8	200	5	4	1.00	GBU804.
GBU806H	600	8	200	5	4	1.00	GBU806.
GBU808H	800	8	200	5	4	1.00	GBU808.
GBU810H	1000	8	200	5	4	1.00	GBU810.

SINTERED GLASS PASSIVATED JUNCTION BRIDGE RECTIFIERS

TYPE	Peak Repetitive Reverse Voltage	Max. Average Rectified Current	Max. Peak Forward Surge Current @8.3ms	Max. Reverse Current @ 25°C T _A	Max. Forward Voltage @ 25°C T _A		Marking
	V _{RRM}	I _O	I _{FSM} (Surge)	I _R	I _F	V _F	
	V	A	A	μA	A	V	

NEW Low VF

8 AMPERE / GBU-LC Superex II



PATENTED

GBU802LC	200	8	200	5	4	0.91	GBU802 LC
GBU804LC	400	8	200	5	4	0.91	GBU804 LC
GBU806LC	600	8	200	5	4	0.91	GBU806 LC
GBU808LC	800	8	175	5	4	0.92	GBU808 LC
GBU810LC	1000	8	175	5	4	0.92	GBU810 LC

10 AMPERE / GBU



GBU1002	200	10	220	5	5	1.10	GBU1002
GBU1004	400	10	220	5	5	1.10	GBU1004
GBU1006	600	10	220	5	5	1.10	GBU1006
GBU1008	800	10	220	5	5	1.10	GBU1008
GBU1010	1000	10	220	5	5	1.10	GBU1010

10 AMPERE / GBU / Halogen-free



GBU1002H	200	10	220	5	5	1.10	GBU1002.
GBU1004H	400	10	220	5	5	1.10	GBU1004.
GBU1006H	600	10	220	5	5	1.10	GBU1006.
GBU1008H	800	10	220	5	5	1.10	GBU1008.
GBU1010H	1000	10	220	5	5	1.10	GBU1010.

NEW Low VF

10 AMPERE / GBU-LC Superex II



PATENTED

GBU1002LC	200	10	290	5	5	0.91	GBU1002 LC
GBU1004LC	400	10	290	5	5	0.91	GBU1004 LC
GBU1006LC	600	10	290	5	5	0.91	GBU1006 LC
GBU1008LC	800	10	220	5	5	0.92	GBU1008 LC
GBU1010LC	1000	10	220	5	5	0.92	GBU1010 LC

10 AMPERE / GBJ



GBJ10D	200	10	175	5	5	1.10	GBJ10D
GBJ10G	400	10	175	5	5	1.10	GBJ10G
GBJ10J	600	10	175	5	5	1.10	GBJ10J
GBJ10K	800	10	175	5	5	1.10	GBJ10K
GBJ10M	1000	10	175	5	5	1.10	GBJ10M

10 AMPERE / GBJ / Halogen-free



GBJ10DH	200	10	175	5	5	1.10	GBJ10D.
GBJ10GH	400	10	175	5	5	1.10	GBJ10G.
GBJ10JH	600	10	175	5	5	1.10	GBJ10J.
GBJ10KH	800	10	175	5	5	1.10	GBJ10K.
GBJ10MH	1000	10	175	5	5	1.10	GBJ10M.

SINTERED GLASS PASSIVATED JUNCTION BRIDGE RECTIFIERS

TYPE	Peak Repetitive Reverse Voltage	Max. Average Rectified Current	Max. Peak Forward Surge Current @8.3ms	Max. Reverse Current @ 25°C T _A	Max. Forward Voltage @ 25°C T _A		Marking
	V _{RRM}	I _o	I _{FSM} (Surge)	I _R	I _F	V _F	
	V	A	A	uA	A	V	

15 AMPERE / GBJ



GBJ15D	200	15	200	10	7.5	1.10	GBJ15D
GBJ15G	400	15	200	10	7.5	1.10	GBJ15G
GBJ15J	600	15	200	10	7.5	1.10	GBJ15J
GBJ15K	800	15	200	10	7.5	1.10	GBJ15K
GBJ15M	1000	15	200	10	7.5	1.10	GBJ15M

15 AMPERE / GBJ / Halogen-free



GBJ15DH	200	15	200	10	7.5	1.10	GBJ15D.
GBJ15GH	400	15	200	10	7.5	1.10	GBJ15G.
GBJ15JH	600	15	200	10	7.5	1.10	GBJ15J.
GBJ15KH	800	15	200	10	7.5	1.10	GBJ15K.
GBJ15MH	1000	15	200	10	7.5	1.10	GBJ15M.

NEW Low VF

15 AMPERE / GBJ-LB / Halogen-free



GBJ15JLB	600	15	300	5	7.5	0.95	GBJ15J LB
GBJ15KLB	800	15	300	5	7.5	0.95	GBJ15K LB
GBJ15MLB	1000	15	300	5	7.5	0.95	GBJ15M LB

20 AMPERE / GBJ



GBJ20D	200	20	250	10	10	1.10	GBJ20D
GBJ20G	400	20	250	10	10	1.10	GBJ20G
GBJ20J	600	20	250	10	10	1.10	GBJ20J
GBJ20K	800	20	250	10	10	1.10	GBJ20K
GBJ20M	1000	20	250	10	10	1.10	GBJ20M

20 AMPERE / GBJ / Halogen-free



GBJ20DH	200	20	250	10	10	1.10	GBJ20D.
GBJ20GH	400	20	250	10	10	1.10	GBJ20G.
GBJ20JH	600	20	250	10	10	1.10	GBJ20J.
GBJ20KH	800	20	250	10	10	1.10	GBJ20K.
GBJ20MH	1000	20	250	10	10	1.10	GBJ20M.

SINTERED GLASS PASSIVATED JUNCTION BRIDGE RECTIFIERS

TYPE	Peak Repetitive Reverse Voltage	Max. Average Rectified Current	Max. Peak Forward Surge Current @8.3ms	Max. Reverse Current @ 25°C T _A	Max. Forward Voltage @ 25°C T _A		Marking
	V _{RRM}	I _O	I _{FSM} (Surge)	I _R	I _F	V _F	
	V	A	A	uA	A	V	

25 AMPERE / GBJ

GBJ25D	200	25	350	10	12.5	1.10	GBJ25D
GBJ25G	400	25	350	10	12.5	1.10	GBJ25G
GBJ25J	600	25	350	10	12.5	1.10	GBJ25J
GBJ25K	800	25	350	10	12.5	1.10	GBJ25K
GBJ25M	1000	25	350	10	12.5	1.10	GBJ25M

25 AMPERE / GBJ / Halogen-free

GBJ25DH	200	25	350	10	12.5	1.10	GBJ25D .
GBJ25GH	400	25	350	10	12.5	1.10	GBJ25G .
GBJ25JH	600	25	350	10	12.5	1.10	GBJ25J .
GBJ25KH	800	25	350	10	12.5	1.10	GBJ25K .
GBJ25MH	1000	25	350	10	12.5	1.10	GBJ25M .

NEW Low VF

25 AMPERE / GBJ-LB / Halogen-free

GBJ25JLB	600	25	400	5	12.5	0.96	GBJ25J LB
GBJ25KLB	800	25	400	5	12.5	0.96	GBJ25K LB
GBJ25MLB	1000	25	400	5	12.5	0.96	GBJ25M LB

25 AMPERE / GBPC / GBPC-W

GBPC2502	200	25	340	10	12.5	1.10	GBPC2502
GBPC2504	400	25	340	10	12.5	1.10	GBPC2504
GBPC2506	600	25	340	10	12.5	1.10	GBPC2504
GBPC2508	800	25	340	10	12.5	1.10	GBPC2508
GBPC2510	1000	25	340	10	12.5	1.10	GBPC2510

NOTE : Suffix " W " for Wire Type.

35 AMPERE / GBPC / GBPC-W

GBPC3502	200	35	400	10	17.5	1.10	GBPC3502
GBPC3504	400	35	400	10	17.5	1.10	GBPC3504
GBPC3506	600	35	400	10	17.5	1.10	GBPC3504
GBPC3508	800	35	400	10	17.5	1.10	GBPC3508
GBPC3510	1000	35	400	10	17.5	1.10	GBPC3510

NOTE : Suffix " W " for Wire Type.

GLASS PASSIVATED JUNCTION TRANSIENT VOLTAGE SUPPRESSORS

STCD SERIES TVS / 200 WATTS / 1206
SupereX II

 **PATENTED**

STCD PART NUMBER		Working Peak Reverse Voltage V_{RWM} (V)	Breakdown Voltage V_{BR} @ I_T			Maximum Clamping Voltage V_C (V) @ I_{PP}	Maximum Reverse Surge Current I_{PP} (A) @ $10 \times 1000 \mu s$ sinewave	Maximum Reverse Leakage I_R (μA) @ V_{RWM}
UNI-POLAR	BI-POLAR		Min. (V)	Max. (V)	I_T (mA)			
STCD5.0AH	STCD5.0CAH	5.0	6.40	7.00	10	9.2	21.74	400
STCD6.0AH	STCD6.0CAH	6.0	6.67	7.37	10	10.3	19.42	400
STCD6.5AH	STCD6.5CAH	6.5	7.22	7.98	10	11.2	17.86	250
STCD7.0AH	STCD7.0CAH	7.0	7.78	8.60	10	12.0	16.67	100
STCD7.5AH	STCD7.5CAH	7.5	8.33	9.21	1	12.9	15.50	50
STCD8.0AH	STCD8.0CAH	8.0	8.89	9.83	1	13.6	14.71	25
STCD8.5AH	STCD8.5CAH	8.5	9.44	10.40	1	14.4	13.89	10
STCD9.0AH	STCD9.0CAH	9.0	10.00	11.10	1	15.4	12.99	5
STCD10AH	STCD10CAH	10	11.10	12.30	1	17.0	11.76	2.5
STCD11AH	STCD11CAH	11	12.20	13.50	1	18.2	10.99	2.5
STCD12AH	STCD12CAH	12	13.30	14.70	1	19.9	10.05	2.5
STCD13AH	STCD13CAH	13	14.40	15.90	1	21.5	9.30	1
STCD14AH	STCD14CAH	14	15.60	17.20	1	23.2	8.62	1
STCD15AH	STCD15CAH	15	16.70	18.50	1	24.4	8.20	1
STCD16AH	STCD16CAH	16	17.80	19.70	1	26.0	7.69	1
STCD17AH	STCD17CAH	17	18.90	20.90	1	27.6	7.25	1
STCD18AH	STCD18CAH	18	20.00	22.10	1	29.2	6.85	1
STCD19AH	STCD19CAH	19	21.10	23.30	1	30.6	6.54	1
STCD20AH	STCD20CAH	20	22.20	24.50	1	32.4	6.17	1
STCD22AH	STCD22CAH	22	24.40	26.90	1	35.5	5.63	1
STCD24AH	STCD24CAH	24	26.70	29.50	1	38.9	5.14	1
STCD26AH	STCD26CAH	26	28.90	31.90	1	42.1	4.75	1
STCD28AH	STCD28CAH	28	31.10	34.40	1	45.4	4.41	1
STCD30AH	STCD30CAH	30	33.30	36.80	1	48.4	4.13	1
STCD33AH	STCD33CAH	33	36.70	40.60	1	53.3	3.75	1
STCD36AH	STCD36CAH	36	40.00	44.20	1	58.1	3.44	1
STCD40AH	STCD40CAH	40	44.40	49.10	1	64.5	3.10	1
STCD43AH	STCD43CAH	43	47.80	52.80	1	69.4	2.88	1
STCD45AH	STCD45CAH	45	50.00	55.30	1	72.7	2.75	1
STCD48AH	STCD48CAH	48	53.30	58.90	1	77.4	2.58	1
STCD51AH	STCD51CAH	51	56.70	62.70	1	82.4	2.43	1
STCD54AH	STCD54CAH	54	60.00	66.30	1	87.1	2.30	1
STCD58AH	STCD58CAH	58	64.40	71.20	1	93.6	2.14	1
STCD60AH	STCD60CAH	60	66.70	73.70	1	96.8	2.07	1
STCD64AH	STCD64CAH	64	71.10	78.60	1	103.0	1.94	1
STCD70AH	STCD70CAH	70	77.80	86.00	1	113.0	1.77	1
STCD75AH	STCD75CAH	75	83.30	92.10	1	121.0	1.65	1
STCD78AH	STCD78CAH	78	86.70	95.80	1	126.0	1.59	1
STCD80AH	STCD80CAH	80	88.80	97.60	1	129.0	1.55	1
STCD85AH	STCD85CAH	85	94.40	104.00	1	137.0	1.46	1
STCD90AH	STCD90CAH	90	100	111	1	146.0	1.37	1
STCD100AH	STCD100CAH	100	111	123	1	162.0	1.23	1
STCD110AH	STCD110CAH	110	122	135	1	177.0	1.13	1
STCD120AH	STCD120CAH	120	133	147	1	193.0	1.04	1
STCD130AH	STCD130CAH	130	144	159	1	209.0	0.96	1
STCD140AH	STCD140CAH	140	155	171	1	224.0	0.89	1
STCD150AH	STCD150CAH	150	167	185	1	243.0	0.82	1
STCD160AH	STCD160CAH	160	178	197	1	259.0	0.77	1
STCD170AH	STCD170CAH	170	189	209	1	275.0	0.73	1
STCD180AH	STCD180CAH	180	200	220	1	292.0	0.69	1
STCD190AH	STCD190CAH	190	211	232	1	308.0	0.69	1

NOTE : 1. Suffix " A " denotes 5% tolerance device.
 2. Add suffix " CA " after part number to specify Bi-directional devices.
 3. For Bi-Directional devices having V_R of 10 volts and under, the I_R limit is double.
 4. Preliminary specification.

PROTECTION

TRANSIENT VOLTAGE SUPPRESSORS (TVS)

GLASS PASSIVATED JUNCTION TRANSIENT VOLTAGE SUPPRESSORS

TCD SERIES TVS / 400 WATTS / 2010
Suprex II



TCD PART NUMBER		Working Peak Reverse Voltage V_{RWM} (V)	Breakdown Voltage V_{BR} @ I_T			Maximum Clamping Voltage V_C (V) @ I_{PP}	Maximum Reverse Surge Current I_{PP} (A) @ $10 \times 1000 \mu s$ sinewave	Maximum Reverse Leakage I_R (μA) @ V_{RWM}
UNI- POLAR	BI-POLAR		Min. (V)	Max. (V)	I_T (mA)			
TCD5.0AH	TCD5.0CAH	5.0	6.4	7.00	10	9.2	43.48	800
TCD6.0AH	TCD6.0CAH	6.0	6.7	7.37	10	10.3	38.83	800
TCD6.5AH	TCD6.5CAH	6.5	7.2	7.98	10	11.2	35.71	500
TCD7.0AH	TCD7.0CAH	7.0	7.8	8.60	10	12.0	33.33	200
TCD7.5AH	TCD7.5CAH	7.5	8.3	9.21	1	12.9	31.01	100
TCD8.0AH	TCD8.0CAH	8.0	8.9	9.83	1	13.6	29.41	50
TCD8.5AH	TCD8.5CAH	8.5	9.4	10.4	1	14.4	27.78	10
TCD9.0AH	TCD9.0CAH	9.0	10.0	11.1	1	15.4	25.97	1
TCD10AH	TCD10CAH	10	11.1	12.3	1	17.0	23.53	1
TCD11AH	TCD11CAH	11	12.2	13.5	1	18.2	21.98	1
TCD12AH	TCD12CAH	12	13.3	14.7	1	19.9	20.10	1
TCD13AH	TCD13CAH	13	14.4	15.9	1	21.5	18.60	1
TCD14AH	TCD14CAH	14	15.6	17.2	1	23.2	17.24	1
TCD15AH	TCD15CAH	15	16.7	18.5	1	24.4	16.39	1
TCD16AH	TCD16CAH	16	17.8	19.7	1	26.0	15.38	1
TCD17AH	TCD17CAH	17	18.9	20.9	1	27.6	14.49	1
TCD18AH	TCD18CAH	18	20.0	22.1	1	29.2	13.70	1
TCD19AH	TCD19CAH	19	21.1	23.3	1	30.8	13.00	1
TCD20AH	TCD20CAH	20	22.2	24.5	1	32.4	12.35	1
TCD22AH	TCD22CAH	22	24.4	26.9	1	35.5	11.27	1
TCD24AH	TCD24CAH	24	26.7	29.5	1	38.9	10.28	1
TCD26AH	TCD26CAH	26	28.9	31.9	1	42.1	9.50	1
TCD28AH	TCD28CAH	28	31.1	34.4	1	45.4	8.81	1
TCD30AH	TCD30CAH	30	33.3	36.8	1	48.4	8.26	1
TCD33AH	TCD33CAH	33	36.7	40.6	1	53.3	7.50	1
TCD36AH	TCD36CAH	36	40.0	44.2	1	58.1	6.88	1
TCD40AH	TCD40CAH	40	44.4	49.1	1	64.5	6.20	1
TCD43AH	TCD43CAH	43	47.8	52.8	1	69.4	5.76	1
TCD45AH	TCD45CAH	45	50.0	55.3	1	72.7	5.50	1
TCD48AH	TCD48CAH	48	53.3	58.9	1	77.4	5.17	1
TCD51AH	TCD51CAH	51	56.7	62.7	1	82.4	4.85	1
TCD54AH	TCD54CAH	54	60.0	66.3	1	87.1	4.59	1
TCD58AH	TCD58CAH	58	64.4	71.2	1	93.6	4.27	1
TCD60AH	TCD60CAH	60	66.7	73.7	1	96.8	4.13	1
TCD64AH	TCD64CAH	64	71.1	78.6	1	103	3.88	1
TCD70AH	TCD70CAH	70	77.8	86.0	1	113	3.54	1
TCD75AH	TCD75CAH	75	83.3	92.1	1	121	3.31	1
TCD78AH	TCD78CAH	78	86.7	95.8	1	126	3.17	1
TCD80AH	TCD80CAH	80	88.8	97.6	1	130	3.09	1
TCD85AH	TCD85CAH	85	94.4	104	1	137	2.92	1
TCD90AH	TCD90CAH	90	100	111	1	146	2.74	1
TCD100AH	TCD100CAH	100	111	123	1	162	2.47	1
TCD110AH	TCD110CAH	110	122	135	1	177	2.26	1
TCD120AH	TCD120CAH	120	133	147	1	193	2.07	1
TCD130AH	TCD130CAH	130	144	159	1	209	1.91	1
TCD140AH	TCD140CAH	140	155	171	1	227	1.76	1
TCD150AH	TCD150CAH	150	167	185	1	243	1.65	1
TCD160AH	TCD160CAH	160	178	197	1	259	1.54	1
TCD170AH	TCD170CAH	170	189	209	1	275	1.45	1
TCD180AH	TCD180CAH	180	200	220	1	292	1.37	1
TCD190AH	TCD190CAH	190	211	232	1	308	1.30	1

- NOTE : 1. Suffix " A " denotes 5% tolerance device.
 2. Add suffix " CA " after part number to specify Bi-directional devices.
 3. For Bi-Directional devices having V_R of 10 volts and under, the I_R limit is double.
 4. Preliminary specification.

PROTECTION

TRANSIENT VOLTAGE SUPPRESSORS (TVS)

GLASS PASSIVATED JUNCTION TRANSIENT VOLTAGE SUPPRESSORS



SMAJ SERIES TVS / 400 WATTS / DO-214AC (SMA)

SMAJ PART NUMBER		Device Marking Code		Working Peak Reverse Voltage V_{RWM} (V)	Breakdown Voltage V_{BR} @ I_T			Maximum Clamping Voltage V_C (V) @ I_{PP}	Maximum Reverse Surge Current I_{PP} (A) @ $10 \times 1000 \mu s$ sine wave	Maximum Reverse Leakage I_R (μA) @ V_{RWM}
UNI- POLAR	BI-POLAR	UNI	BI		Min. (V)	Max. (V)	I_T (mA)			
SMAJ5.0A	SMAJ5.0CA	AE	WE	5.0	6.4	7.00	10	9.2	43.48	800
SMAJ6.0A	SMAJ6.0CA	AG	WG	6.0	6.7	7.37	10	10.3	38.83	800
SMAJ6.5A	SMAJ6.5CA	AK	WK	6.5	7.2	7.98	10	11.2	35.71	500
SMAJ7.0A	SMAJ7.0CA	AM	WM	7.0	7.8	8.60	10	12.0	33.33	200
SMAJ7.5A	SMAJ7.5CA	AP	WP	7.5	8.3	9.21	1	12.9	31.01	100
SMAJ8.0A	SMAJ8.0CA	AR	WR	8.0	8.9	9.83	1	13.6	29.41	50
SMAJ8.5A	SMAJ8.5CA	AT	WT	8.5	9.4	10.4	1	14.4	27.78	10
SMAJ9.0A	SMAJ9.0CA	AV	WV	9.0	10.0	11.1	1	15.4	25.97	5
SMAJ10A	SMAJ10CA	AX	WX	10	11.1	12.3	1	17.0	23.53	1
SMAJ11A	SMAJ11CA	AZ	WZ	11	12.2	13.5	1	18.2	21.98	1
SMAJ12A	SMAJ12CA	BE	XE	12	13.3	14.7	1	19.9	20.10	1
SMAJ13A	SMAJ13CA	BG	XG	13	14.4	15.9	1	21.5	18.60	1
SMAJ14A	SMAJ14CA	BK	XK	14	15.6	17.2	1	23.2	17.24	1
SMAJ15A	SMAJ15CA	BM	XM	15	16.7	18.5	1	24.4	16.39	1
SMAJ16A	SMAJ16CA	BP	XP	16	17.8	19.7	1	26.0	15.38	1
SMAJ17A	SMAJ17CA	BR	XR	17	18.9	20.9	1	27.6	14.49	1
SMAJ18A	SMAJ18CA	BT	XT	18	20.0	22.1	1	29.2	13.70	1
SMAJ19A	SMAJ19CA	BB	XB	19	21.1	23.3	1	30.8	13.00	1
SMAJ20A	SMAJ20CA	BV	XV	20	22.2	24.5	1	32.4	12.35	1
SMAJ22A	SMAJ22CA	BX	XX	22	24.4	26.9	1	35.5	11.27	1
SMAJ24A	SMAJ24CA	BZ	XZ	24	26.7	29.5	1	38.9	10.28	1
SMAJ26A	SMAJ26CA	CE	YE	26	28.9	31.9	1	42.1	9.50	1
SMAJ28A	SMAJ28CA	CG	YG	28	31.1	34.4	1	45.4	8.81	1
SMAJ30A	SMAJ30CA	CK	YK	30	33.3	36.8	1	48.4	8.26	1
SMAJ33A	SMAJ33CA	CM	YM	33	36.7	40.6	1	53.3	7.50	1
SMAJ36A	SMAJ36CA	CP	YP	36	40.0	44.2	1	58.1	6.88	1
SMAJ40A	SMAJ40CA	CR	YR	40	44.4	49.1	1	64.5	6.20	1
SMAJ43A	SMAJ43CA	CT	YT	43	47.8	52.8	1	69.4	5.76	1
SMAJ45A	SMAJ45CA	CV	YV	45	50.0	55.3	1	72.7	5.50	1
SMAJ48A	SMAJ48CA	CX	YX	48	53.3	58.9	1	77.4	5.17	1
SMAJ51A	SMAJ51CA	CZ	YZ	51	56.7	62.7	1	82.4	4.85	1
SMAJ54A	SMAJ54CA	RE	ZE	54	60.0	66.3	1	87.1	4.59	1
SMAJ58A	SMAJ58CA	RG	ZG	58	64.4	71.2	1	93.6	4.27	1
SMAJ60A	SMAJ60CA	RK	ZK	60	66.7	73.7	1	96.8	4.13	1
SMAJ64A	SMAJ64CA	RM	ZM	64	71.1	78.6	1	103	3.88	1
SMAJ70A	SMAJ70CA	RP	ZP	70	77.8	86.0	1	113	3.54	1
SMAJ75A	SMAJ75CA	RR	ZR	75	83.3	92.1	1	121	3.31	1
SMAJ78A	SMAJ78CA	RT	ZT	78	86.7	95.8	1	126	3.17	1
SMAJ80A	SMAJ80CA	RB	ZB	80	88.8	97.6	1	130	3.09	1
SMAJ85A	SMAJ85CA	RV	ZV	85	94.4	104	1	137	2.92	1
SMAJ90A	SMAJ90CA	RX	ZX	90	100	111	1	146	2.74	1
SMAJ100A	SMAJ100CA	RZ	ZZ	100	111	123	1	162	2.47	1
SMAJ110A	SMAJ110CA	SE	VE	110	122	135	1	177	2.26	1
SMAJ120A	SMAJ120CA	SG	VG	120	133	147	1	193	2.07	1
SMAJ130A	SMAJ130CA	SK	VK	130	144	159	1	209	1.91	1
SMAJ140A	SMAJ140CA	SB	VB	140	155	171	1	227	1.76	1
SMAJ150A	SMAJ150CA	SM	VM	150	167	185	1	243	1.65	1
SMAJ160A	SMAJ160CA	SP	VP	160	178	197	1	259	1.54	1
SMAJ170A	SMAJ170CA	SR	VR	170	189	209	1	275	1.45	1
SMAJ180A	SMAJ180CA	ST	VT	180	200	220	1	292	1.37	1
SMAJ190A	SMAJ190CA	SV	VV	190	211	232	1	308	1.30	1
SMAJ200A	SMAJ200CA	SW	VW	200	224	247	1	324	1.23	1
SMAJ220A	SMAJ220CA	SX	VX	220	246	272	1	356	1.12	1
SMAJ250A	SMAJ250CA	SZ	VZ	250	279	309	1	405	0.99	1
SMAJ300A	SMAJ300CA	DE	HE	300	335	371	1	486	0.82	1
SMAJ350A	SMAJ350CA	DG	HG	350	391	432	1	567	0.71	1
SMAJ400A	SMAJ400CA	DK	HK	400	447	494	1	648	0.62	1
SMAJ440A	SMAJ440CA	DM	HM	440	492	543	1	713	0.56	1

NOTE : 1. Suffix " A " denotes 5% tolerance device.
 2. Add suffix " CA " after part number to specify Bi-directional devices.
 3. For Bi-Directional devices having Vr of 10 volts and under, the Ir limit is double .

GLASS PASSIVATED JUNCTION TRANSIENT VOLTAGE SUPPRESSORS

P4KE SERIES TVS / 400 WATTS / DO-204AL (DO-41)

P4KE PART NUMBER		Working Peak Reverse Voltage V_{RWM} (V)	Breakdown Voltage V_{BR} @ I_T			Maximum Clamping Voltage V_C (V) @ I_{PP}	Maximum Reverse Surge Current I_{PP} (A) @ $10 \times 1000 \mu s$ sine wave	Maximum Reverse Leakage I_R (μA) @ V_{RWM}
UNI-POLAR	BI-POLAR		Min. (V)	Max. (V)	I_T (mA)			
P4KE6.8A	P4KE6.8CA	5.8	6.46	7.14	10	10.5	38.1	1000
P4KE7.5A	P4KE7.5CA	6.4	7.13	7.88	10	11.3	35.4	500
P4KE8.2A	P4KE8.2CA	7.0	7.79	8.61	10	12.1	33.1	200
P4KE9.1A	P4KE9.1CA	7.8	8.65	9.56	1	13.4	29.9	50
P4KE10A	P4KE10CA	8.6	9.50	10.50	1	14.5	27.6	10
P4KE11A	P4KE11CA	9.4	10.45	11.55	1	15.6	25.6	5
P4KE12A	P4KE12CA	10.2	11.40	12.60	1	16.7	24.0	5
P4KE13A	P4KE13CA	11.1	12.35	13.65	1	18.2	22.0	1
P4KE15A	P4KE15CA	12.8	14.25	15.75	1	21.2	18.9	1
P4KE16A	P4KE16CA	13.6	15.20	16.80	1	22.5	17.8	1
P4KE18A	P4KE18CA	15.3	17.10	18.90	1	25.2	15.9	1
P4KE20A	P4KE20CA	17.1	19.00	21.00	1	27.7	14.4	1
P4KE22A	P4KE22CA	18.8	20.90	23.10	1	30.6	13.1	1
P4KE24A	P4KE24CA	20.5	22.80	25.20	1	33.2	12.0	1
P4KE27A	P4KE27CA	23.1	25.65	28.35	1	37.5	10.7	1
P4KE30A	P4KE30CA	25.6	28.50	31.50	1	41.4	9.66	1
P4KE33A	P4KE33CA	28.2	31.35	34.65	1	45.7	8.75	1
P4KE36A	P4KE36CA	30.8	34.20	37.80	1	49.9	8.02	1
P4KE39A	P4KE39CA	33.3	37.05	40.95	1	53.9	7.42	1
P4KE43A	P4KE43CA	36.8	40.85	45.15	1	59.3	6.75	1
P4KE47A	P4KE47CA	40.2	44.65	49.35	1	64.8	6.17	1
P4KE51A	P4KE51CA	43.6	48.45	53.55	1	70.1	5.71	1
P4KE56A	P4KE56CA	47.8	53.20	58.80	1	77.0	5.19	1
P4KE62A	P4KE62CA	53.0	58.90	65.10	1	85.0	4.71	1
P4KE68A	P4KE68CA	58.1	64.60	71.40	1	92.0	4.35	1
P4KE75A	P4KE75CA	64.1	71.25	78.75	1	103.0	3.88	1
P4KE82A	P4KE82CA	70.1	77.90	86.10	1	113.0	3.54	1
P4KE91A	P4KE91CA	77.8	86.45	95.55	1	125.0	3.20	1
P4KE100A	P4KE100CA	85.5	95.0	105.0	1	137.0	2.92	1
P4KE110A	P4KE110CA	94.0	104.5	115.5	1	152.0	2.63	1
P4KE120A	P4KE120CA	102.0	114.0	126.0	1	165.0	2.42	1
P4KE130A	P4KE130CA	111.0	123.5	136.5	1	179.0	2.23	1
P4KE150A	P4KE150CA	128.0	142.5	157.5	1	207.0	1.93	1
P4KE160A	P4KE160CA	136.0	152.0	168.0	1	219.0	1.83	1
P4KE170A	P4KE170CA	145.0	161.5	178.5	1	234.0	1.71	1
P4KE180A	P4KE180CA	154.0	171.0	189.0	1	246.0	1.63	1
P4KE200A	P4KE200CA	171.0	190.0	210.0	1	274.0	1.46	1
P4KE220A	P4KE220CA	185.0	209.0	231.0	1	328.0	1.22	1
P4KE250A	P4KE250CA	214.0	237.5	262.5	1	344.0	1.16	1
P4KE300A	P4KE300CA	256.0	285.0	315.0	1	414.0	0.97	1
P4KE350A	P4KE350CA	299.0	332.5	367.5	1	482.0	0.83	1
P4KE380A	P4KE380CA	325.0	361.0	399.0	1	524.0	0.76	1
P4KE400A	P4KE400CA	342.0	380.0	420.0	1	548.0	0.73	1
P4KE440A	P4KE440CA	376.0	418.0	462.0	1	602.0	0.66	1
P4KE500A	P4KE500CA	427.5	475.0	525.0	1	690.0	0.58	1
P4KE520A	P4KE520CA	444.6	494.0	546.0	1	717.6	0.56	1
P4KE550A	P4KE550CA	470.3	522.5	577.5	1	759.0	0.53	1
P4KE600A	P4KE600CA	513.0	570.0	630.0	1	828.0	0.48	1

NOTE: 1. Suffix " A " denotes 5% tolerance device.
 2. Add suffix " CA " after part number to specify Bi-directional devices.
 3. For Bi-Directional devices having V_R of 10 volts and under, the I_R limit is double .

GLASS PASSIVATED JUNCTION TRANSIENT VOLTAGE SUPPRESSORS

SMBJ SERIES TVS / 600 WATTS / DO-214AA (SMB)



SMBJ PART NUMBER		Device Marking Code		Working Peak Reverse Voltage V_{RWM} (V)	Breakdown Voltage V_{BR} @ I_T			Maximum Clamping Voltage V_C (V) @ I_{PP}	Maximum Reverse Surge Current I_{PP} (A) @ $10 \times 1000 \mu s$ sine wave	Maximum Reverse Leakage I_R (μA) @ V_{RWM}
UNI- POLAR	BI-POLAR	UNI	BI		Min. (V)	Max. (V)	I_T (mA)			
SMBJ5.0A	SMBJ5.0CA	KE	AE	5.0	6.40	7.00	10	9.2	65.22	800
SMBJ6.0A	SMBJ6.0CA	KG	AG	6.0	6.67	7.37	10	10.3	58.25	800
SMBJ6.5A	SMBJ6.5CA	KK	AK	6.5	7.22	7.98	10	11.2	53.57	500
SMBJ7.0A	SMBJ7.0CA	KM	AM	7.0	7.78	8.60	10	12.0	50.00	200
SMBJ7.5A	SMBJ7.5CA	KP	AP	7.5	8.33	9.21	1	12.9	46.51	100
SMBJ8.0A	SMBJ8.0CA	KR	AR	8.0	8.89	9.83	1	13.6	44.12	50
SMBJ8.5A	SMBJ8.5CA	KT	AT	8.5	9.44	10.4	1	14.4	41.67	10
SMBJ9.0A	SMBJ9.0CA	KV	AV	9.0	10.0	11.1	1	15.4	38.96	5
SMBJ10A	SMBJ10CA	KX	AX	10	11.1	12.3	1	17.0	35.29	5
SMBJ11A	SMBJ11CA	KZ	AZ	11	12.2	13.5	1	18.2	32.97	5
SMBJ12A	SMBJ12CA	LE	BE	12	13.3	14.7	1	19.9	30.15	5
SMBJ13A	SMBJ13CA	LG	BG	13	14.4	15.9	1	21.5	27.91	1
SMBJ14A	SMBJ14CA	LK	BK	14	15.6	17.2	1	23.2	25.86	1
SMBJ15A	SMBJ15CA	LM	BM	15	16.7	18.5	1	24.4	24.59	1
SMBJ16A	SMBJ16CA	LP	BP	16	17.8	19.7	1	26.0	23.08	1
SMBJ17A	SMBJ17CA	LR	BR	17	18.9	20.9	1	27.6	21.74	1
SMBJ18A	SMBJ18CA	LT	BT	18	20.0	22.1	1	29.2	20.55	1
SMBJ19A	SMBJ19CA	LB	BB	19	21.1	23.3	1	30.8	19.49	1
SMBJ20A	SMBJ20CA	LV	BV	20	22.2	24.5	1	32.4	18.52	1
SMBJ22A	SMBJ22CA	LX	BX	22	24.4	26.9	1	35.5	16.90	1
SMBJ24A	SMBJ24CA	LZ	BZ	24	26.7	29.5	1	38.9	15.42	1
SMBJ26A	SMBJ26CA	ME	CE	26	28.9	31.9	1	42.1	14.25	1
SMBJ28A	SMBJ28CA	MG	CG	28	31.1	34.4	1	45.4	13.22	1
SMBJ30A	SMBJ30CA	MK	CK	30	33.3	36.8	1	48.4	12.40	1
SMBJ33A	SMBJ33CA	MM	CM	33	36.7	40.6	1	53.3	11.26	1
SMBJ36A	SMBJ36CA	MP	CP	36	40.0	44.2	1	58.1	10.33	1
SMBJ40A	SMBJ40CA	MR	CR	40	44.4	49.1	1	64.5	9.30	1
SMBJ43A	SMBJ43CA	MT	CT	43	47.8	52.8	1	69.4	8.65	1
SMBJ45A	SMBJ45CA	MV	CV	45	50.0	55.3	1	72.7	8.25	1
SMBJ48A	SMBJ48CA	MX	CX	48	53.3	58.9	1	77.4	7.75	1
SMBJ51A	SMBJ51CA	MZ	CZ	51	56.7	62.7	1	82.4	7.28	1
SMBJ54A	SMBJ54CA	NE	DE	54	60.0	66.3	1	87.1	6.89	1
SMBJ58A	SMBJ58CA	NG	DG	58	64.4	71.2	1	93.6	6.41	1
SMBJ60A	SMBJ60CA	NK	DK	60	66.7	73.7	1	96.8	6.20	1
SMBJ64A	SMBJ64CA	NM	DM	64	71.1	78.6	1	103	5.83	1
SMBJ70A	SMBJ70CA	NP	DP	70	77.8	86.0	1	113	5.31	1
SMBJ75A	SMBJ75CA	NR	DR	75	83.3	92.1	1	121	4.96	1
SMBJ78A	SMBJ78CA	NT	DT	78	86.7	95.8	1	126	4.76	1
SMBJ80A	SMBJ80CA	NB	DB	80	88.8	97.6	1	130	4.63	1
SMBJ85A	SMBJ85CA	NV	DV	85	94.4	104	1	137	4.38	1
SMBJ90A	SMBJ90CA	NX	DX	90	100	111	1	146	4.11	1
SMBJ100A	SMBJ100CA	NZ	DZ	100	111	123	1	162	3.70	1
SMBJ110A	SMBJ110CA	PE	EE	110	122	135	1	177	3.39	1
SMBJ120A	SMBJ120CA	PG	EG	120	133	147	1	193	3.11	1
SMBJ130A	SMBJ130CA	PK	EK	130	144	159	1	209	2.87	1
SMBJ140A	SMBJ140CA	PB	EB	140	155	171	1	227	2.65	1
SMBJ150A	SMBJ150CA	PM	EM	150	167	185	1	243	2.47	1
SMBJ160A	SMBJ160CA	PP	EP	160	178	197	1	259	2.32	1
SMBJ170A	SMBJ170CA	PR	ER	170	189	209	1	275	2.18	1
SMBJ180A	SMBJ180CA	PT	ET	180	200	220	1	292	2.06	1
SMBJ190A	SMBJ190CA	PV	EV	190	211	232	1	308	1.95	1
SMBJ200A	SMBJ200CA	PW	EW	200	224	247	1	324	1.85	1
SMBJ220A	SMBJ220CA	PX	EX	220	246	272	1	356	1.69	1
SMBJ250A	SMBJ250CA	PZ	EZ	250	279	309	1	405	1.48	1
SMBJ300A	SMBJ300CA	QE	FE	300	335	371	1	486	1.23	1
SMBJ350A	SMBJ350CA	QG	FG	350	391	432	1	567	1.06	1
SMBJ400A	SMBJ400CA	QK	FK	400	447	494	1	648	0.93	1
SMBJ440A	SMBJ440CA	QM	FM	440	492	543	1	713	0.84	1

NOTE: 1. Suffix "A" denotes 5% tolerance device.
 2. Add suffix "CA" after part number to specify Bi-directional devices.
 3. For Bi-Directional devices having V_R of 10 volts and under, the I_R limit is double.

GLASS PASSIVATED JUNCTION TRANSIENT VOLTAGE SUPPRESSORS

P6KE SERIES TVS / 600 WATTS / DO-204AC (DO-15)

P6KE PART NUMBER		Working Peak Reverse Voltage V_{RWM} (V)	Breakdown Voltage V_{BR} @IT			Maximum Clamping Voltage V_c (V) @ I _{PP}	Maximum Reverse Surge Current I _{PP} (A) @10 x 1000 μ s sinewave	Maximum Reverse Leakage I _R (μ A) @V _{RWM}
UNI-POLAR	BI-POLAR		Min. (V)	Max. (V)	IT (mA)			
P6KE6.8A	P6KE6.8CA	5.8	6.46	7.14	10	10.5	57.1	1000
P6KE7.5A	P6KE7.5CA	6.4	7.13	7.88	10	11.3	53.1	500
P6KE8.2A	P6KE8.2CA	7.0	7.79	8.61	10	12.1	49.6	200
P6KE9.1A	P6KE9.1CA	7.8	8.65	9.56	1	13.4	44.8	50
P6KE10A	P6KE10CA	8.6	9.50	10.50	1	14.5	41.4	10
P6KE11A	P6KE11CA	9.4	10.45	11.55	1	15.6	38.5	5
P6KE12A	P6KE12CA	10.2	11.40	12.60	1	16.7	35.9	5
P6KE13A	P6KE13CA	11.1	12.35	13.65	1	18.2	33.0	1
P6KE15A	P6KE15CA	12.8	14.25	15.75	1	21.2	28.3	1
P6KE16A	P6KE16CA	13.6	15.20	16.80	1	22.5	26.7	1
P6KE18A	P6KE18CA	15.3	17.10	18.90	1	25.2	23.8	1
P6KE20A	P6KE20CA	17.1	19.00	21.00	1	27.7	21.7	1
P6KE22A	P6KE22CA	18.8	20.90	23.10	1	30.6	19.6	1
P6KE24A	P6KE24CA	20.5	22.80	25.20	1	33.2	18.1	1
P6KE27A	P6KE27CA	23.1	25.65	28.35	1	37.5	16.0	1
P6KE30A	P6KE30CA	25.6	28.50	31.50	1	41.4	14.5	1
P6KE33A	P6KE33CA	28.2	31.35	34.65	1	45.7	13.1	1
P6KE36A	P6KE36CA	30.8	34.20	37.80	1	49.9	12.0	1
P6KE39A	P6KE39CA	33.3	37.05	40.95	1	53.9	11.1	1
P6KE43A	P6KE43CA	36.8	40.85	45.15	1	59.3	10.1	1
P6KE47A	P6KE47CA	40.2	44.65	49.35	1	64.8	9.26	1
P6KE51A	P6KE51CA	43.6	48.45	53.55	1	70.1	8.56	1
P6KE56A	P6KE56CA	47.8	53.20	58.80	1	77.0	7.79	1
P6KE62A	P6KE62CA	53.0	58.90	65.10	1	85.0	7.06	1
P6KE68A	P6KE68CA	58.1	64.60	71.40	1	92.0	6.52	1
P6KE75A	P6KE75CA	64.1	71.25	78.75	1	103.0	5.83	1
P6KE82A	P6KE82CA	70.1	77.90	86.10	1	113.0	5.31	1
P6KE91A	P6KE91CA	77.8	86.45	95.55	1	125.0	4.80	1
P6KE100A	P6KE100CA	85.5	95.0	105.0	1	137.0	4.38	1
P6KE110A	P6KE110CA	94.0	104.5	115.5	1	152.0	3.95	1
P6KE120A	P6KE120CA	102.0	114.0	126.0	1	165.0	3.64	1
P6KE130A	P6KE130CA	111.0	123.5	136.5	1	179.0	3.35	1
P6KE150A	P6KE150CA	128.0	142.5	157.5	1	207.0	2.90	1
P6KE160A	P6KE160CA	136.0	152.0	168.0	1	219.0	2.74	1
P6KE170A	P6KE170CA	145.0	161.5	178.5	1	234.0	2.56	1
P6KE180A	P6KE180CA	154.0	171.0	189.0	1	246.0	2.44	1
P6KE200A	P6KE200CA	171.0	190.0	210.0	1	274.0	2.19	1
P6KE220A	P6KE220CA	185.0	209.0	231.0	1	328.0	1.83	1
P6KE250A	P6KE250CA	214.0	237.5	262.5	1	344.0	1.74	1
P6KE300A	P6KE300CA	256.0	285.0	315.0	1	414.0	1.45	1
P6KE350A	P6KE350CA	299.0	332.5	367.5	1	482.0	1.24	1
P6KE380A	P6KE380CA	325.0	361.0	399.0	1	524.0	1.14	1
P6KE400A	P6KE400CA	342.0	380.0	420.0	1	548.0	1.09	1
P6KE440A	P6KE440CA	376.0	418.0	462.0	1	602.0	1.00	1
P6KE500A	P6KE500CA	427.5	475.0	525.0	1	690.0	0.87	1
P6KE520A	P6KE520CA	444.6	494.0	546.0	1	717.6	0.84	1
P6KE550A	P6KE550CA	470.3	522.5	577.5	1	759.0	0.79	1
P6KE600A	P6KE600CA	513.0	570.0	630.0	1	828.0	0.72	1

NOTE: 1. Suffix "A" denotes 5% tolerance device.

2. Add suffix "CA" after part number to specify Bi-directional devices.

3. For Bi-Directional devices having Vr of 10 volts and under, the Ir limit is double.

GLASS PASSIVATED JUNCTION TRANSIENT VOLTAGE SUPPRESSORS

SMCJ SERIES TVS / 1500 WATTS / DO-214AB (SMC)



SMCJ PART NUMBER		Device Marking Code		Working Peak Reverse Voltage V_{RWM} (V)	Breakdown Voltage V_{BR} @IT			Maximum Clamping Voltage V_C (V) @ I_{PP}	Maximum Reverse Surge Current I_{PP} (A) @ $10 \times 1000 \mu s$ sine wave	Maximum Reverse Leakage I_R (μA) @ V_{RWM}
UNI- POLAR	BI-POLAR	UNI	BI		Min. (V)	Max. (V)	I_T (mA)			
SMCJ5.0A	SMCJ5.0CA	GDE	BDE	5.0	6.40	7.00	10	9.2	163.0	800
SMCJ6.0A	SMCJ6.0CA	GDG	BDG	6.0	6.67	7.37	10	10.3	145.6	800
SMCJ6.5A	SMCJ6.5CA	GDK	BDK	6.5	7.22	7.98	10	11.2	133.9	500
SMCJ7.0A	SMCJ7.0CA	GDM	BDM	7.0	7.78	8.60	10	12.0	125.0	200
SMCJ7.5A	SMCJ7.5CA	GDP	BDP	7.5	8.33	9.21	1	12.9	116.3	100
SMCJ8.0A	SMCJ8.0CA	GDR	BDR	8.0	8.89	9.83	1	13.6	110.3	50
SMCJ8.5A	SMCJ8.5CA	GDT	BDT	8.5	9.44	10.40	1	14.4	104.2	10
SMCJ9.0A	SMCJ9.0CA	GDV	BDV	9.0	10.00	11.10	1	15.4	97.4	5
SMCJ10A	SMCJ10CA	GDX	BDX	10	11.10	12.30	1	17.0	88.2	5
SMCJ11A	SMCJ11CA	GDZ	BDZ	11	12.20	13.50	1	18.2	82.4	5
SMCJ12A	SMCJ12CA	GEE	BEE	12	13.30	14.70	1	19.9	75.4	5
SMCJ13A	SMCJ13CA	GEG	BEG	13	14.40	15.90	1	21.5	69.8	1
SMCJ14A	SMCJ14CA	GEK	BEK	14	15.60	17.20	1	23.2	64.7	1
SMCJ15A	SMCJ15CA	GEM	BEM	15	16.70	18.50	1	24.4	61.5	1
SMCJ16A	SMCJ16CA	GEP	BEP	16	17.80	19.70	1	26.0	57.7	1
SMCJ17A	SMCJ17CA	GER	BER	17	18.90	20.90	1	27.6	54.3	1
SMCJ18A	SMCJ18CA	GET	BET	18	20.00	22.10	1	29.2	51.4	1
SMCJ19A	SMCJ19CA	GEB	BEB	19	21.10	23.30	1	30.8	48.7	1
SMCJ20A	SMCJ20CA	GEV	BEV	20	22.20	24.50	1	32.4	46.3	1
SMCJ22A	SMCJ22CA	GEX	BEX	22	24.40	26.90	1	35.5	42.3	1
SMCJ24A	SMCJ24CA	GEZ	BEZ	24	26.70	29.50	1	38.9	38.6	1
SMCJ26A	SMCJ26CA	GFE	BFE	26	28.90	31.90	1	42.1	35.6	1
SMCJ28A	SMCJ28CA	GFG	BFG	28	31.10	34.40	1	45.4	33.0	1
SMCJ30A	SMCJ30CA	GFK	BFK	30	33.30	36.80	1	48.4	31.0	1
SMCJ33A	SMCJ33CA	GFM	BFM	33	36.70	40.60	1	53.3	28.1	1
SMCJ36A	SMCJ36CA	GFP	BFP	36	40.00	44.20	1	58.1	25.8	1
SMCJ40A	SMCJ40CA	GFR	BFR	40	44.40	49.10	1	64.5	23.3	1
SMCJ43A	SMCJ43CA	GFT	BFT	43	47.80	52.80	1	69.4	21.6	1
SMCJ45A	SMCJ45CA	GFV	BFV	45	50.00	55.30	1	72.7	20.6	1
SMCJ48A	SMCJ48CA	GFX	BFX	48	53.30	58.90	1	77.4	19.4	1
SMCJ51A	SMCJ51CA	GFZ	BFZ	51	56.70	62.70	1	82.4	18.2	1
SMCJ54A	SMCJ54CA	GGE	BGE	54	60.00	66.30	1	87.1	17.2	1
SMCJ58A	SMCJ58CA	GGG	BGG	58	64.40	71.20	1	93.6	16.0	1
SMCJ60A	SMCJ60CA	GGK	BGK	60	66.70	73.70	1	96.8	15.5	1
SMCJ64A	SMCJ64CA	GGM	BGM	64	71.10	78.60	1	103	14.6	1
SMCJ70A	SMCJ70CA	GGP	BGP	70	77.80	86.00	1	113	13.3	1
SMCJ75A	SMCJ75CA	GGR	BGR	75	83.30	92.10	1	121	12.4	1
SMCJ78A	SMCJ78CA	GGT	BGT	78	86.70	95.80	1	126	11.9	1
SMCJ80A	SMCJ80CA	GGB	BGB	80	88.80	97.60	1	130	11.6	1
SMCJ85A	SMCJ85CA	GGV	BGV	85	94.40	104	1	137	10.9	1
SMCJ90A	SMCJ90CA	GGX	BGX	90	100	111	1	146	10.3	1
SMCJ100A	SMCJ100CA	GGZ	BGZ	100	111	123	1	162	9.3	1
SMCJ110A	SMCJ110CA	GHE	BHE	110	122	135	1	177	8.5	1
SMCJ120A	SMCJ120CA	GHG	BHG	120	133	147	1	193	7.8	1
SMCJ130A	SMCJ130CA	GHK	BHK	130	144	159	1	209	7.2	1
SMCJ140A	SMCJ140CA	GHB	BHB	140	155	171	1	227	6.6	1
SMCJ150A	SMCJ150CA	GHM	BHM	150	167	185	1	243	6.2	1
SMCJ160A	SMCJ160CA	GHP	BHP	160	178	197	1	259	5.8	1
SMCJ170A	SMCJ170CA	GHR	BHR	170	189	209	1	275	5.5	1
SMCJ180A	SMCJ180CA	GHT	BHT	180	200	220	1	291	5.1	1
SMCJ190A	SMCJ190CA	GHV	BHV	190	211	232	1	308	4.9	1
SMCJ200A	SMCJ200CA	GHW	BHW	200	224	247	1	324	4.6	1
SMCJ220A	SMCJ220CA	GHX	BHX	220	246	272	1	356	4.2	1
SMCJ250A	SMCJ250CA	GHZ	BHZ	250	279	309	1	405	3.7	1
SMCJ300A	SMCJ300CA	GJE	BJE	300	335	371	1	486	3.1	1
SMCJ350A	SMCJ350CA	GJG	BJG	350	391	432	1	567	2.6	1
SMCJ400A	SMCJ400CA	GJK	BJK	400	447	494	1	648	2.3	1
SMCJ440A	SMCJ440CA	GJM	BJM	440	492	543	1	713	2.1	1

NOTE: 1. Suffix " A " denotes 5% tolerance device.
 2. Add suffix " CA " after part number to specify Bi-directional devices.
 3. For Bi-Directional devices having V_R of 10 volts and under, the I_R limit is double .

GLASS PASSIVATED JUNCTION TRANSIENT VOLTAGE SUPPRESSORS



1.5KE SERIES TVS / 1500 WATTS / DO-201AE (DO-27)

1.5KE PART NUMBER		Working Peak Reverse Voltage V_{RWM} (V)	Breakdown Voltage V_{BR} @ I_T			Maximum Clamping Voltage V_C (V) @ I_{PP}	Maximum Reverse Surge Current I_{PP} (A) @ $10 \times 1000 \mu s$ sine wave	Maximum Reverse Leakage I_R (μA) @ V_{RWM}
UNI-POLAR	BI-POLAR		Min. (V)	Max. (V)	I_T (mA)			
1.5KE6.8A	1.5KE6.8CA	5.8	6.46	7.14	10	10.5	143.00	1000
1.5KE7.5A	1.5KE7.5CA	6.4	7.13	7.88	10	11.3	133.00	500
1.5KE8.2A	1.5KE8.2CA	7.0	7.79	8.61	10	12.1	124.00	200
1.5KE9.1A	1.5KE9.1CA	7.8	8.65	9.56	1	13.4	112.00	50
1.5KE10A	1.5KE10CA	8.6	9.50	10.50	1	14.5	103.00	10
1.5KE11A	1.5KE11CA	9.4	10.45	11.55	1	15.6	96.20	5
1.5KE12A	1.5KE12CA	10.2	11.40	12.60	1	16.7	89.80	5
1.5KE13A	1.5KE13CA	11.1	12.35	13.65	1	18.2	82.40	1
1.5KE15A	1.5KE15CA	12.8	14.25	15.75	1	21.2	70.80	1
1.5KE16A	1.5KE16CA	13.6	15.20	16.80	1	22.5	66.70	1
1.5KE18A	1.5KE18CA	15.3	17.10	18.90	1	25.2	59.50	1
1.5KE20A	1.5KE20CA	17.1	19.00	21.00	1	27.7	54.20	1
1.5KE22A	1.5KE22CA	18.8	20.90	23.10	1	30.6	49.00	1
1.5KE24A	1.5KE24CA	20.5	22.80	25.20	1	33.2	45.20	1
1.5KE27A	1.5KE27CA	23.1	25.65	28.35	1	37.5	40.00	1
1.5KE30A	1.5KE30CA	25.6	28.50	31.50	1	41.4	36.20	1
1.5KE33A	1.5KE33CA	28.2	31.35	34.65	1	45.7	32.80	1
1.5KE36A	1.5KE36CA	30.8	34.20	37.80	1	49.9	30.10	1
1.5KE39A	1.5KE39CA	33.3	37.05	40.95	1	53.9	27.80	1
1.5KE43A	1.5KE43CA	36.8	40.85	45.15	1	59.3	25.30	1
1.5KE47A	1.5KE47CA	40.2	44.65	49.35	1	64.8	23.10	1
1.5KE51A	1.5KE51CA	43.6	48.45	53.55	1	70.1	21.40	1
1.5KE56A	1.5KE56CA	47.8	53.20	58.80	1	77.0	19.50	1
1.5KE62A	1.5KE62CA	53.0	58.90	65.10	1	85.0	17.60	1
1.5KE68A	1.5KE68CA	58.1	64.60	71.40	1	92.0	16.30	1
1.5KE75A	1.5KE75CA	64.1	71.25	78.75	1	103.0	14.60	1
1.5KE82A	1.5KE82CA	70.1	77.90	86.10	1	113.0	13.30	1
1.5KE91A	1.5KE91CA	77.8	86.45	95.55	1	125.0	12.00	1
1.5KE100A	1.5KE100CA	85.5	95.00	105.00	1	137.0	10.90	1
1.5KE110A	1.5KE110CA	94.0	104.50	115.50	1	152.0	9.87	1
1.5KE120A	1.5KE120CA	102.0	114.00	126.00	1	165.0	9.09	1
1.5KE130A	1.5KE130CA	111.0	123.50	136.50	1	179.0	8.38	1
1.5KE150A	1.5KE150CA	128.0	142.50	157.50	1	207.0	7.25	1
1.5KE160A	1.5KE160CA	136.0	152.00	168.00	1	219.0	6.85	1
1.5KE170A	1.5KE170CA	145.0	161.50	178.50	1	234.0	6.41	1
1.5KE180A	1.5KE180CA	154.0	171.00	189.00	1	246.0	6.10	1
1.5KE200A	1.5KE200CA	171.0	190.00	210.00	1	274.0	5.47	1
1.5KE220A	1.5KE220CA	185.0	209.00	231.00	1	328.0	4.57	1
1.5KE250A	1.5KE250CA	214.0	237.50	262.50	1	344.0	4.36	1
1.5KE300A	1.5KE300CA	256.0	285.00	315.00	1	414.0	3.62	1
1.5KE350A	1.5KE350CA	299.0	332.50	367.50	1	482.0	3.11	1
1.5KE380A	1.5KE380CA	325.0	361.00	399.00	1	524.0	2.86	1
1.5KE400A	1.5KE400CA	342.0	380.00	420.00	1	548.0	2.74	1
1.5KE440A	1.5KE440CA	376.0	418.00	462.00	1	602.0	2.49	1
1.5KE500A	1.5KE500CA	428.0	475.00	525.00	1	690.0	2.17	1
1.5KE520A	1.5KE520CA	445.0	494.00	546.00	1	718.0	2.09	1
1.5KE550A	1.5KE550CA	470.0	522.50	577.50	1	759.0	1.98	1
1.5KE600A	1.5KE600CA	513.0	570.00	630.00	1	828.0	1.81	1

- NOTE: 1. Suffix "A" denotes 5% tolerance device.
 2. Add suffix "CA" after part number to specify Bi-directional devices.
 3. For Bi-Directional devices having V_R of 10 volts and under, the I_R limit is double.

SMALL SIGNAL SCHOTTKY BARRIER DIODE

TYPE	Peak Repetitive Reverse Voltage	Max. Average Rectified Current	Max. Peak Forward Surge Current @8.3ms	Max. Reverse Current @ 25°C T _A	Max. Forward Voltage @ 25°C T _A		Equivalent Circuit Diagram
	V _{RRM}	I _o	I _{FSM} (Surge)	I _R	I _F	V _F	
	V	A	A	µA	A	V	

0.2 AMPERE / SOD-323 / Halogen-free



BAT54HT1GH	30	0.20	-	2.0 (@V _R 25V)	0.10	1.00	CIRCUIT 1
------------	----	------	---	---------------------------	------	------	-----------

0.2 AMPERE / SOT-23 / Halogen-free



BAT54RGH	30	0.20	-	2.0 (@V _R 25V)	0.10	1.00	CIRCUIT 2
BAT54RAGH	30	0.20	-	2.0 (@V _R 25V)	0.10	1.00	CIRCUIT 5
BAT54RCGH	30	0.20	-	2.0 (@V _R 25V)	0.10	1.00	CIRCUIT 3
BAT54RSGH	30	0.20	-	2.0 (@V _R 25V)	0.10	1.00	CIRCUIT 4

0.2 AMPERE / SOT-323 / Halogen-free



BAT54WGH	30	0.20	-	2.0 (@V _R 25V)	0.10	1.00	CIRCUIT 2
BAT54AWGH	30	0.20	-	2.0 (@V _R 25V)	0.10	1.00	CIRCUIT 5
BAT54CWGH	30	0.20	-	2.0 (@V _R 25V)	0.10	1.00	CIRCUIT 3
BAT54SWG	30	0.20	-	2.0 (@V _R 25V)	0.10	1.00	CIRCUIT 4

0.5 AMPERE / SOT-23 / Halogen-free



RB411DGH	40	0.50	3	30 (@V _R 10V)	0.50	0.50	CIRCUIT 2
----------	----	------	---	--------------------------	------	------	-----------

1 AMPERE / SOT-23 / Halogen-free



RB491DGH	25	1	3	200 (@V _R 20V)	1	0.45	CIRCUIT 2
----------	----	---	---	---------------------------	---	------	-----------

EQUIVALENT CIRCUIT DIAGRAM

CIRCUIT TYPE	CIRCUIT 1	CIRCUIT 2	CIRCUIT 3	CIRCUIT 4	CIRCUIT 5
SYMBOL					

SWITCHING DIODES

TYPE	Peak Repetitive Reverse Voltage	Max. Average Rectified Current	Max. Peak Forward Surge Current	Max. Reverse Current @ 25°C T _A	Max. Forward Voltage @ 25°C T _A		Max. Reverse Recovery Time	Equivalent Circuit Diagram
	V _{RRM}	I _O	I _{FSM} (Surge)	I _R	I _F	V _F	T _{RR}	
	V	A	A	µA	A	V	nS	

0.1 AMPERE / SOD-323 / Halogen-free

1SS355GH	90	0.10	0.225	0.1 (@V _R 80V)	0.10	1.20	4	CIRCUIT 1
----------	----	------	-------	---------------------------	------	------	---	-----------

0.1 AMPERE / SOT-23 / Halogen-free

MMBD2836GH	75	0.10	-	0.1 (@V _R 50V)	0.10	1.20	4	CIRCUIT 5
MMBD2838GH	75	0.10	-	0.1 (@V _R 50V)	0.10	1.20	4	CIRCUIT 3

0.1 AMPERE / SOD-523 / Halogen-free

1SS400GH	90	0.10	0.5	0.1 (@V _R 80V)	0.10	1.20	4	CIRCUIT 1
----------	----	------	-----	---------------------------	------	------	---	-----------

0.125 AMPERE / SOD-523 / Halogen-free

1N4148WTGH	75	0.125	2 (@ t = 1µs)	5 (@V _R 75V)	0.15	1.25	4	CIRCUIT 1
------------	----	-------	---------------	-------------------------	------	------	---	-----------

0.15 AMPERE / 0603-D (Equivalent to SOD-523) / Halogen-free Superchip

PATENTED

1N4148WTHC	100	0.15	2 (@ t = 1µs)	5 (@V _R 75V)	0.15	1.25	4	CIRCUIT 1
------------	-----	------	---------------	-------------------------	------	------	---	-----------

0.15 AMPERE / SOD-123 / Halogen-free

1N4148WGH	75	0.15	2 (@ t = 1µs)	5 (@V _R 75V)	0.15	1.25	4	CIRCUIT 1
-----------	----	------	---------------	-------------------------	------	------	---	-----------

0.15 AMPERE / SOD-323 / Halogen-free

1N4148WSGH	75	0.15	0.35 (@ t < 1s)	5 (@V _R 75V)	0.15	1.25	4	CIRCUIT 1
------------	----	------	-----------------	-------------------------	------	------	---	-----------

EQUIVALENT CIRCUIT DIAGRAM

CIRCUIT TYPE	CIRCUIT 1	CIRCUIT 2	CIRCUIT 3	CIRCUIT 4	CIRCUIT 5
SYMBOL					

SWITCHING DIODES

TYPE	Peak Repetitive Reverse Voltage	Max. Average Rectified Current	Max. Peak Forward Surge Current	Max. Reverse Current @ 25°C T _A	Max. Forward Voltage @ 25°C T _A		Max. Reverse Recovery Time	Equivalent Circuit Diagram
	V _{RRM}	I _o	I _{FSM} (Surge)	I _R	I _F	V _F	T _{RR}	
	V	A	A	uA	A	V	nS	

0.2 AMPERE / DO-35 / Halogen-free

1N4148GH	75	0.2	4 (@ t = 1.0uS)	5 (@V _R 75V)	0.01	1.00	4	CIRCUIT 1
----------	----	-----	-----------------	-------------------------	------	------	---	-----------

0.2 AMPERE / SOD-80 (LL-34) / Halogen-free

LL4148GH	100	0.2	4 (t = 1.0uS)	5 (@V _R 75V)	0.01	1.00	4	CIRCUIT 1
----------	-----	-----	---------------	-------------------------	------	------	---	-----------

0.2 AMPERE / SOD-323 / Halogen-free

BAS16HT1GH	75	0.2	0.5	1 (@V _R 75V)	0.15	1.25	6	CIRCUIT 1
BAS21HT1GH	250	0.2	0.625	1 (@V _R 200V)	0.20	1.25	50	CIRCUIT 1
MMDL914T1GH	100	0.2	0.5	5 (@V _R 75V)	0.01	1.00	4	CIRCUIT 1

0.2 AMPERE / SOT-23 / Halogen-free

BAV70WGH	70	0.2	0.5	5 (@V _R 70V)	0.15	1.25	6	CIRCUIT 3
BAW56WGH	70	0.2	4.5 (t = 1.0uS)	2.5 (@V _R 70V)	0.15	1.25	6	CIRCUIT 5

0.2 AMPERE / SOT-23 / Halogen-free

BAS16GH	75	0.2	0.5	1.0 (@V _R 75V)	0.15	1.25	6	CIRCUIT 2
BAS21GH	250	0.2	0.625	0.1 (@V _R 200V)	0.20	1.25	50	CIRCUIT 2
BAV70GH	70	0.2	0.5	2.5 (@V _R 70V)	0.15	1.25	6	CIRCUIT 3
BAW56GH	70	0.2	0.5	2.5 (@V _R 70V)	0.15	1.25	6	CIRCUIT 5
MMBD7000GH	100	0.2	0.5	3.0 (@V _R 100V)	0.10	1.10	4	CIRCUIT 4
MMDL914GH	100	0.2	0.5	5.0 (@V _R 75V)	0.01	1.00	4	CIRCUIT 2

0.215 AMPERE / SOT-323 / Halogen-free

BAV99WGH	70	0.2	4.5 (t = 1.0uS)	5 (@V _R 70V)	0.15	1.25	6	CIRCUIT 4
----------	----	-----	-----------------	-------------------------	------	------	---	-----------

0.215 AMPERE / SOT-23 / Halogen-free

BAV99GH	70	0.215	0.5	2.5 (@V _R 70V)	0.15	1.25	6	CIRCUIT 4
---------	----	-------	-----	---------------------------	------	------	---	-----------

EQUIVALENT CIRCUIT DIAGRAM

CIRCUIT TYPE	CIRCUIT 1	CIRCUIT 2	CIRCUIT 3	CIRCUIT 4	CIRCUIT 5
SYMBOL					

TRANSISTORS



SOT-23 / Halogen-free

TYPE	V _{CB0}	V _{CEO}	I _C	P _D	HFE		V _{CE(sat)}		f _T	Equivalent Circuit Diagram
	(V)	(V)	(mA)	(mW)	Min. / Max.	I _C / V _{CE} (mA / V)	Max. (V)	I _C / I _B (mA)	MHz	
MMBT3906GH	-40	-40	-200	225	100 / 300	-10 / -1.0	-0.4	-50 / -5.0	250	CIRCUIT 2
MMBT4403GH	-40	-40	-600	225	100 / 300	-150 / -2.0	-0.75	-500 / -50	200	CIRCUIT 2
MMBT2907AGH	-60	-60	-600	225	100 / 300	-150 / -10	-0.4	-150 / -15	200	CIRCUIT 2
MMBT5401GH	-160	-150	-500	225	60 / 240	-10 / -5	-0.5	-50 / -5.0	300	CIRCUIT 2
MMBT3904GH	60	40	200	225	100 / 300	10 / 1.0	0.3	50 / 5.0	300	CIRCUIT 1
MMBT4401GH	60	40	600	225	100 / 300	150 / 1.0	0.75	500 / 50	250	CIRCUIT 1
MMBT2222AGH	75	40	600	225	100 / 300	150 / 10	0.3	150 / 15	300	CIRCUIT 1
MMBT5551GH	160	140	600	225	80 / 250	10 / 5.0	0.2	50 / 5.0	-	CIRCUIT 1

NOTE : OPERATING AND STORAGE TEMPERATURE RANGE -55°C to +150°C



SOT-323 / Halogen-free

TYPE	V _{CB0}	V _{CEO}	I _C	P _D	HFE		V _{CE(sat)}		f _T	Equivalent Circuit Diagram
	(V)	(V)	(mA)	(mW)	Min. / Max.	I _C / V _{CE} (mA / V)	Max. (V)	I _C / I _B (mA)	MHz (Min.)	
MMBT3906WGH	-40	-40	-200	225	100 / 300	-10 / 1.0	-0.4	-50 / -5.0	250	CIRCUIT 2
MMBT3904WGH	60	40	200	225	100 / 300	10 / 1.0	0.3	50 / 5.0	300	CIRCUIT 1

NOTE : OPERATING AND STORAGE TEMPERATURE RANGE -55°C to +150°C

EQUIVALENT CIRCUIT DIAGRAM

CIRCUIT TYPE	CIRCUIT 1	CIRCUIT 2
SYMBOL		

PACKING OF DIODES AND BRIDGE RECTIFIERS

BULK PACKING

OUTLINE		BOX (PCS)	CARTON (PCS)	CARTON SIZE (m/m)	
DO-204AL (DO-41)		1,000	50,000	475 * 220 * 275	
DO-204AC (DO-15)		500	50,000		
DO-201AD / DO-201AE (DO-27)		500	12,000	335 * 320 * 275	
P-600		200	4,800		
DFM	50Pcs / Tube Pack	2,500	15,000	470 * 240 * 310	
DFS		5,000	30,000		
GBL / GBL-LS	Bulk Tube	20 Pcs / Tube Pack	1,400	530 * 340 * 180	
GBU	Bulk Tube		1,000		2,000
GBU-LC	Bulk Tube		720	2,880	573 * 331 * 210
GBJ GBJ-LS	Bulk Tube	15 Pcs / Tube Pack	540	2,160	530 * 340 * 180
KBJ	Bulk Tube	20 Pcs / Tube Pack	1,000	2,000	590 * 370 * 200
GBP	Bulk Tube	25 Pcs / Tube Pack	1,250	5,000	430 * 330 * 165
GBPS-LF		600	6,000	315 * 250 * 187	
KBL		500	3,000	485 * 240 * 172	
GBPC		50	500	435 * 215 * 260	
GBPC-W		50	500		
Schottky Products TO-220AB / ITO-220AB TO-220AC / ITO-220AC		50Pcs / Tube Pack	1,000	5,000	585 * 285 * 170
			4,000	8,000	585 * 316 * 164
Rectifier Products TO-220AB / ITO-220AB TO-220AC / ITO-220AC		50Pcs / Tube Pack	2,000	8,000	565 * 315 * 200

REEL PACKING

OUTLINE	REEL (PCS)	CARTON (PCS)	CARTON SIZE (m/m)
R-1	5,000	20,000	340 * 340 * 360
DO-204AL (DO-41)	5,000	20,000	
DO-204AC (DO-15)	4,000	16,000	
DO-201AD / DO-201AE (DO-27)	1,250	5,000	
	1,200	4,800	
P-600	750	3,000	
R-6	750	3,000	

PACKING OF DIODES AND BRIDGE RECTIFIERS

REEL PACKING

OUTLINE	REEL (PCS)	CARTON (PCS)	CARTON SIZE (m/m)
DO-214AC (SMA)	13"	7,500	75,000
DO-214AC (SMA) Schottky Products	13"	5,000	50,000
DO-214AA (SMB)	13"	3,000	30,000
DO-214AB (SMC)	13"	3,000	15,000
Z4PAK MBCR / MBCN / MBC	13"	5,000	50,000
DFS	13"	3,000	12,000
Z5PAK-T / Z6PAK Z4PAK-D / 3220	13"	3,000	15,000
MBF / ABS / LBF	13"	5,000	50,000
0603-D	7"	4,000	120,000
Z1PAK / Z1PAK-S 0603 0805	7"	3,000	90,000
Z2PAK / Z2APAK 1206 / 1206-S 2010	7"	3,000	72,000
A3PS / Z3PAK / Z3PAK-T 2114	13"	5,000	50,000
SOD-80	7"	2,500	50,000
SOT-23 / SOT-323 SOD-123 SOD-123 (Flat lead) SOD-323 SOD-323 (Flat lead) SOD-523 / SOD-723	7"	3,000	60,000 120,000
SOD-123FL	7"	3,000	120,000
SOD-523 (Zener Products)	7"	4,000	80,000 160,000
SOD-723 (Schottky Products)	7"	4,000	80,000 160,000

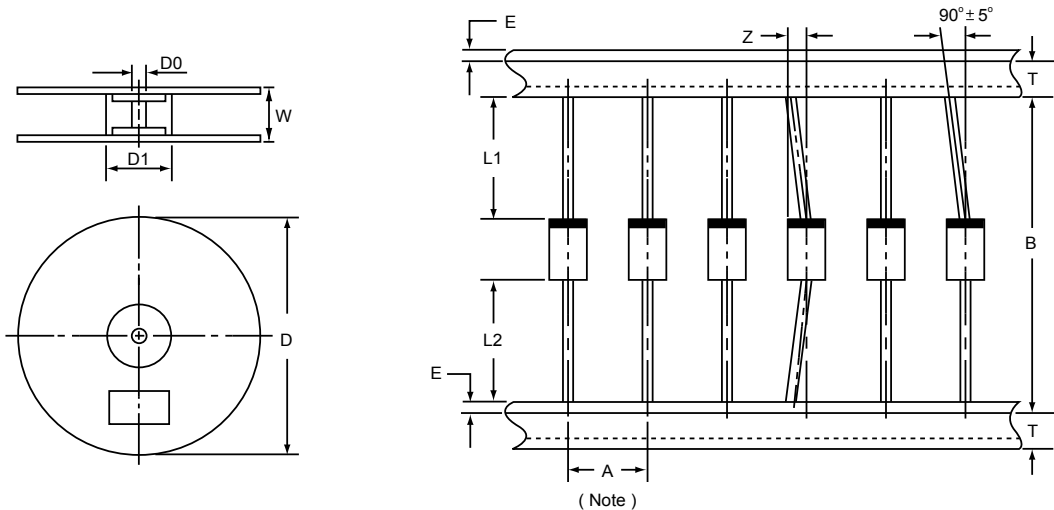
AMMO BOX PACKING (52mm Taping)

OUTLINE	BOX (PCS)	BOX SIZE (m/m)	CARTON (PCS)	CARTON SIZE (m/m)
DO-35	3,000	262 * 77 * 76	50,000	360 * 360 * 240
DO-41(Glass)	2,500	262 * 77 * 76	25,000	
R-1	3,000	250 * 80 * 90	45,000	340 * 340 * 360
DO-204AL (DO-41)	5,000	260 * 80 * 160	50,000	460 * 280 * 355
DO-204AC (DO-15)	3,000	260 * 80 * 160	30,000	
DO-201AD (DO-27)	1,200	260 * 80 * 160	12,000	
DO-201AE (DO-27)	1,000	260 * 80 * 160	10,000	

AXIAL LEAD TAPING SPECIFICATIONS

Axial lead devices are packed in accordance with EIA standard RS-296-E and specifications given below.

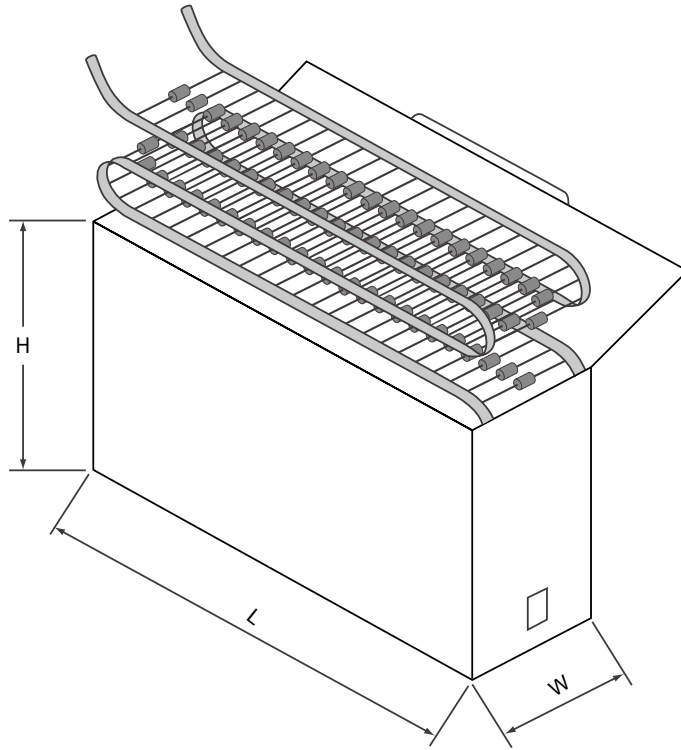
COMPONENT OUTLINE	COMPONENT PITCH A	INNER TAPE PITCH B	CUMULATIVE PITCH TOLERANCE
R-1	5.0mm ± 0.5mm	52.4mm ± 1.5mm	2.0mm / 10 pitch
DO-35 / DO-41 (Glass)	5.0mm ± 0.3mm	52.25mm ± 0.25mm	2.0mm / 10 pitch
DO-204AL (DO-41)	5.0mm ± 0.5mm	52.4mm ± 1.5mm	2.0mm / 10 pitch
DO-204AC (DO-15)	5.0mm ± 0.5mm	52.4mm ± 1.5mm	2.0mm / 10 pitch
DO-201AD (DO-27)	10mm ± 0.5mm	52.4mm ± 1.5mm	2.0mm / 10 pitch
DO-201AE (DO-27)	10.0mm ± 0.5mm	52.4mm ± 1.5mm	2.0mm / 10 pitch
P-600 / R-6	10.0mm ± 0.5mm	52.4mm ± 1.5mm	2.0mm / 10 pitch



ITEM	SYMBOL	SPECIFICATION (m/m)	SPECIFICATION (inch)
Component alignment	Z	1.2 max.	0.048 max.
Tape width	T	6.0 ± 0.4	0.236 ± 0.016
Exposed adhesive	E	0.8 max.	0.032 max.
Body eccentricity	L1-L2	1.0 max.	0.040 max.
Reel outside diameter	D	330.0 ± 2.0	13.0 ± 0.08
Reel inner diameter	D1	85.7 ± 0.3	3.375 ± 0.012
Feed hole diameter	D0	16.6 ± 0.4	0.655 ± 0.016
Reel width	W	79.0 ± 1.0	3.110 ± 0.040

NOTE : Each component lead shall be sandwiched between tapes for a minimum of 3.2mm (0.126")

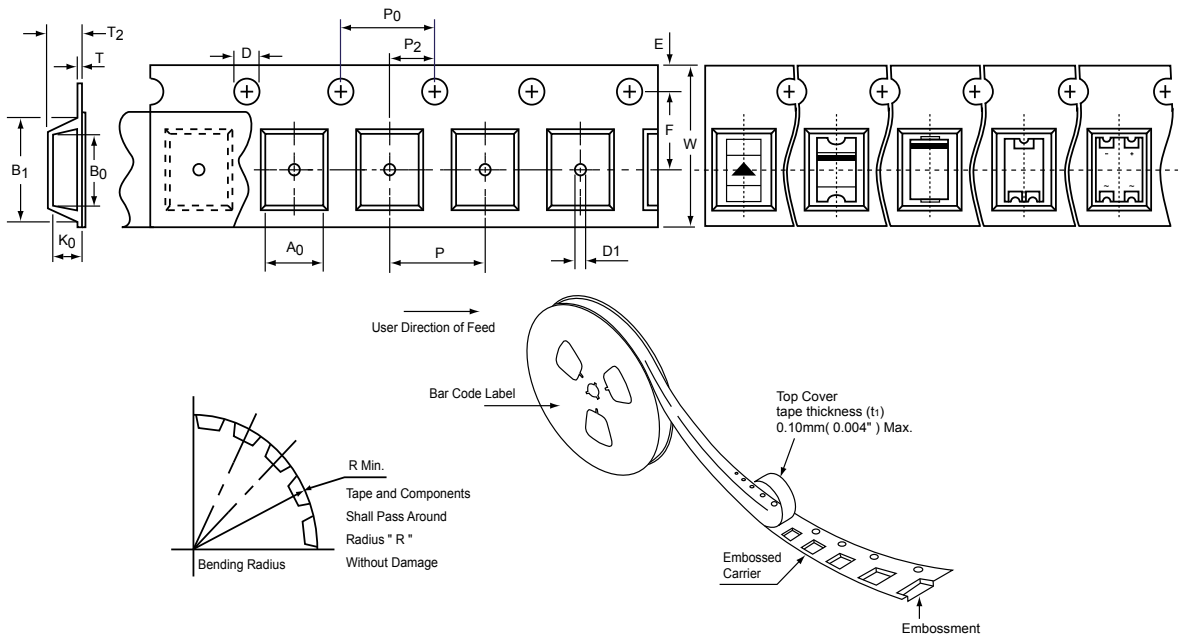
AMMO PACK DIMENSIONS



Unit : Millimeters (Inches)

Outline	Dimension			Quantity
	Length (L)	Width (W)	Height (H)	
R-1	250 ± 10 (9.84 ± 0.4)	80 ± 5 (3.15 ± 0.2)	90 ± 10 (3.54 ± 0.4)	3,000
	260 ± 5 (10.24 ± 0.2)	80 ± 5 (3.15 ± 0.2)	160 ± 10 (6.30 ± 0.4)	5,000
DO-35	262 ± 5 (10.31 ± 0.2)	77 ± 5 (3.03 ± 0.2)	76 ± 10 (2.99 ± 0.4)	5,000
DO-41 (Glass)	262 ± 5 (10.31 ± 0.2)	77 ± 5 (3.03 ± 0.2)	76 ± 10 (2.99 ± 0.4)	2,500
DO-204AL (DO-41)	260 ± 5 (10.24 ± 0.2)	80 ± 5 (3.15 ± 0.2)	160 ± 10 (6.30 ± 0.4)	5,000
DO-204AC (DO-15)	260 ± 5 (10.24 ± 0.2)	80 ± 5 (3.15 ± 0.2)	160 ± 10 (6.30 ± 0.4)	3,000
DO-201AD (DO-27)	260 ± 5 (10.24 ± 0.2)	80 ± 5 (3.15 ± 0.2)	160 ± 10 (6.30 ± 0.4)	1,200
DO-201AE (DO-27)	260 ± 5 (10.24 ± 0.2)	80 ± 5 (3.15 ± 0.2)	160 ± 10 (6.30 ± 0.4)	1,000

SURFACE MOUNT PACKAGING



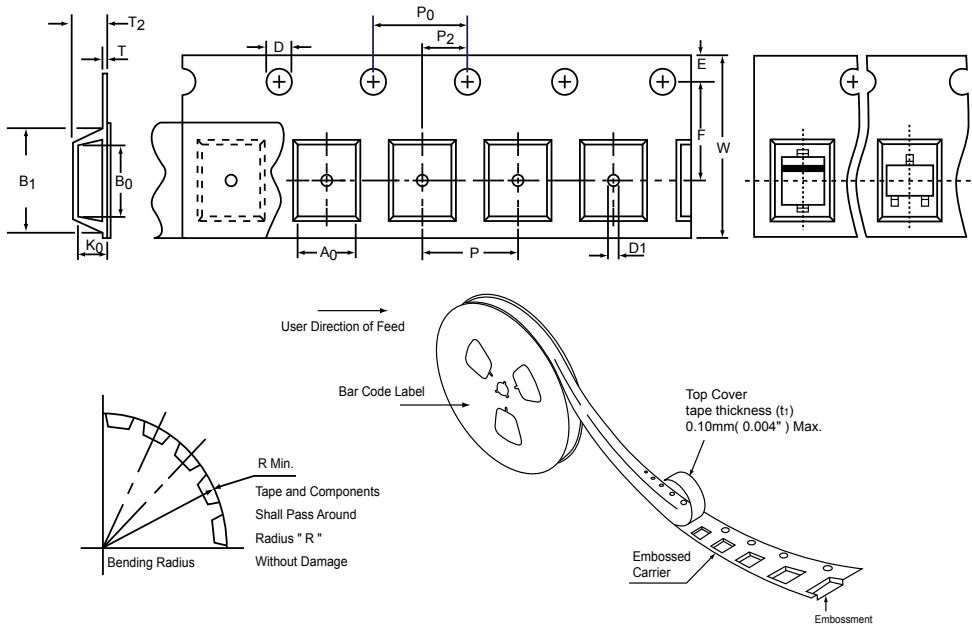
EMBOSSED TAPE

Dimensions in millimeters and (inches)

Tape Size	D	E	P ₀	A ₀	B ₀	K ₀	T max	P ₂	Constant Dimensions
8 , 12 mm	1.50 ± 0.1 (0.059 ± 0.004)	1.75 ± 0.1 (0.069 ± 0.004)	4.0 ± 0.1 (0.157 ± 0.004)	See Note 1			0.40 (0.016)	2.0 ± 0.1 (0.079 ± 0.002)	
16 mm	1.55 ± 0.05 (0.061 ± 0.002)	1.75 ± 0.1 (0.069 ± 0.004)	4.0 ± 0.1 (0.157 ± 0.004)						
PRODUCT TYPE	TAPE SIZE	B ₁	D ₁	F	P	W	T ₂	R Min	
0402	8 mm	1.19 ± 0.03 (0.047 ± 0.001)	-	3.50 ± 0.05 (0.138 ± 0.002)	2.00 ± 0.05 (0.079 ± 0.002)	8.00 ± 0.10 (0.315 ± 0.004)	0.6 ± 0.03 (0.024 ± 0.001)	25 (0.98)	
0603-D		1.80 ± 0.05 (0.0717 ± 0.002)	-	3.50 ± 0.05 (0.138 ± 0.002)	4.00 ± 0.05 (0.276 ± 0.002)	8.00 ± 0.10 (0.315 ± 0.004)	0.75 ± 0.03 (0.030 ± 0.001)	25 (0.98)	
0603		2.0 max. (0.079 max.)	0.80 ± 0.05 (0.031 ± 0.002)	3.50 ± 0.05 (0.138 ± 0.002)	4.00 ± 0.10 (0.157 ± 0.004)	8.00 ± 0.30 (0.315 ± 0.012)	1.00 ± 0.10 (0.039 ± 0.004)	25 (0.98)	
Z1PAK Z1PAK-S 0805		0.80 ± 0.05 (0.031 ± 0.002)	3.50 ± 0.05 (0.138 ± 0.002)	4.00 ± 0.10 (0.157 ± 0.004)	8.00 ± 0.30 (0.315 ± 0.012)	1.22 ± 0.10 (0.048 ± 0.004)	25 (0.98)		
Z2PAK / 1206	12 mm	8.2 max. (0.323 max.)	1.50 min. (0.059 min.)	5.50 ± 0.05 (0.217 ± 0.002)	4.00 ± 0.10 (0.157 ± 0.004)	12.00 ± 0.30 (0.472 ± 0.012)	1.75 ± 0.1 (0.069 ± 0.004)	30 (1.181)	
1206-S			1.40 ± 0.1 (0.055 ± 0.004)						
Z2APAK 2010	12 mm	8.2 max. (0.323 max.)	1.50 min. (0.059 min.)	5.50 ± 0.05 (0.217 ± 0.002)	4.00 ± 0.10 (0.157 ± 0.004)	12.00 ± 0.30 (0.472 ± 0.012)	1.51 ± 0.10 (0.059 ± 0.004)	30 (1.181)	
A3PS / Z3PAK Z3PAK-T / Z4PAK MBC / MBCR MBCN / 2114			1.50 min. (0.059 min.)	5.50 ± 0.05 (0.217 ± 0.002)	8.00 ± 0.10 (0.315 ± 0.004)	12.00 ± 0.30 (0.472 ± 0.012)	1.65 ± 0.10 (0.065 ± 0.004)	30 (1.181)	
SMA (DO-214AC)			1.50 min. (0.059 min.)	5.50 ± 0.05 (0.217 ± 0.002)	4.00 ± 0.10 (0.157 ± 0.004)	12.00 ± 0.30 (0.472 ± 0.012)	2.54 ± 0.10 (0.100 ± 0.004)	30 (1.181)	
SMB (DO-214AA) MBF / ABS / LBF			1.50 min. (0.059 min.)	5.50 ± 0.05 (0.217 ± 0.002)	8.00 ± 0.10 (0.315 ± 0.004)	12.00 ± 0.30 (0.472 ± 0.012)	2.67 ± 0.10 (0.105 ± 0.004)	30 (1.181)	
Z5PAK-T 3220 SMC (DO-214AB)	16 mm	12.1 max. (0.476 max.)	1.50 min. (0.059 min.)	7.50 ± 0.10 (0.295 ± 0.004)	8.00 ± 0.10 (0.315 ± 0.004)	16.00 ± 0.30 (0.630 ± 0.012)	2.50 max. (0.098 max.)	40 (1.575)	
Z4PAK-D	16 mm	12.1 max. (0.476 max.)	1.50 min. (0.059 min.)	5.5 ± 0.10 (0.217 ± 0.004)	12.00 ± 0.10 (0.472 ± 0.004)	16.00 ± 0.30 (0.630 ± 0.012)	2.50 max. (0.098 max.)	40 (1.575)	
DFS / Z6PAK				7.50 ± 0.10 (0.295 ± 0.004)			3.70 max. (0.146 max.)	30 (1.181)	

NOTE : 1. A₀ , B₀ , and K₀ are determined by component size. The clearance between the components and the cavity must be within 0.05 mm (0.002") min. to 0.50 mm (0.02") max. for 8 mm tape. 0.05 mm (0.002") min. to 0.65 mm (0.026") max. for 12 mm tape. 0.15 mm (0.006") min. to 0.90 mm (0.035") max. for 16 mm tape.
2. All surface mount components are packed in accordance with EIA standard 481-1 and 481-2

SURFACE MOUNT PACKAGING



EMBOSSED TAPE

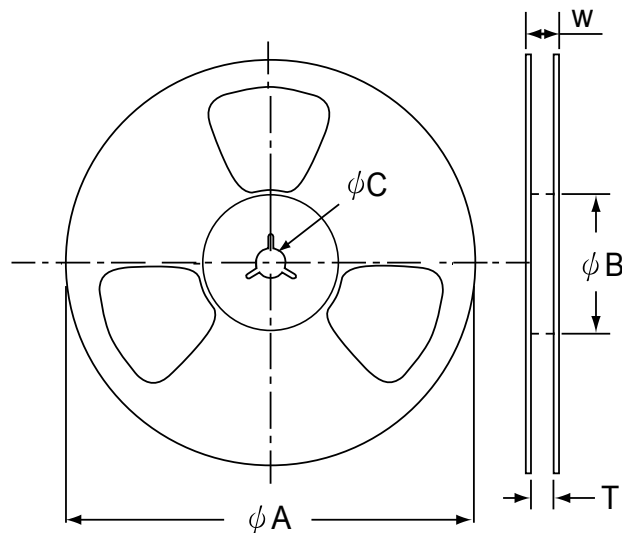
Dimensions in millimeters and (inches)

Tape Size	D	E	P0	A0	B0	K0	T max	P2	Constant Dimensions
8	1.50 ± 0.1 (0.059 ± 0.004)	1.75 ± 0.1 (0.069 ± 0.004)	4.00 ± 0.1 (0.157 ± 0.004)	See Note 1			0.20 (0.008)	2.0 ± 0.1 (0.079 ± 0.002)	
	1.55 ± 0.05 (0.061 ± 0.002)						0.40 (0.016)		
							0.60 (0.024)		
PRODUCT TYPE	TAPE SIZE	B1	D1	F	P	W	T2	R Min	
SOD-80	8 mm	4.55 max (0.179 max)	1.00 min 0.039 min	3.50 ± 0.05 (0.138 ± 0.002)	4.00 ± 0.10 (0.157 ± 0.004)	8.30 max (0.327 max)	2.40 max. (0.094 max.)	25 (0.98)	
SOT-23 SOT-323 SOD-523									
SOD-723 SOD-323 SOD-323 / Flat lead SOD-123 SOD-123 / Flat lead									
SOD-123FL		2.26 ± 0.05 0.089 ± 0.002	1.00 min 0.039 min	4.00 ± 0.10 (0.157 ± 0.004)					

NOTE : 1. A0, B0, and K0 are determined by component size. The clearance between the components and the cavity must be within 0.05 mm (0.002") Min. to 0.50 mm (0.02") Max. for 8 mm tape and 12 mm tape, 0.15 mm (0.066") Min. to 0.90 mm (0.035") Max.

2. All surface mount components are packed in accordance with EIA standard 481-1 and 481-2

PLASTIC DISK AND SURFACE MOUNT PACKAGE



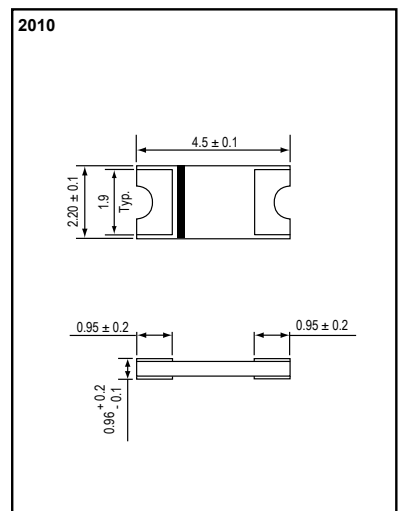
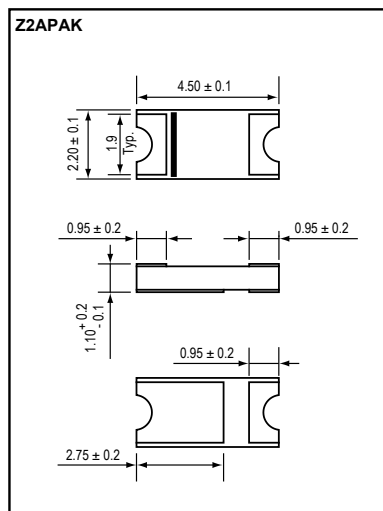
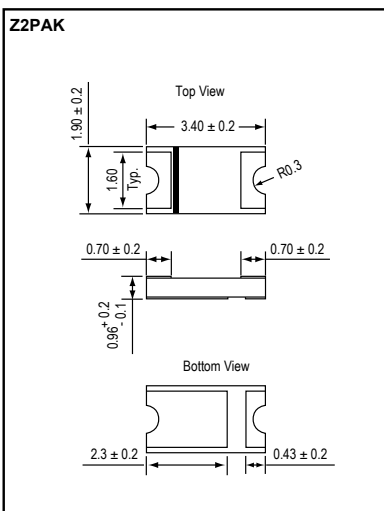
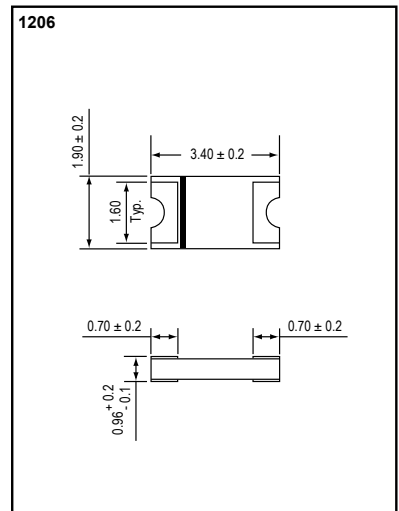
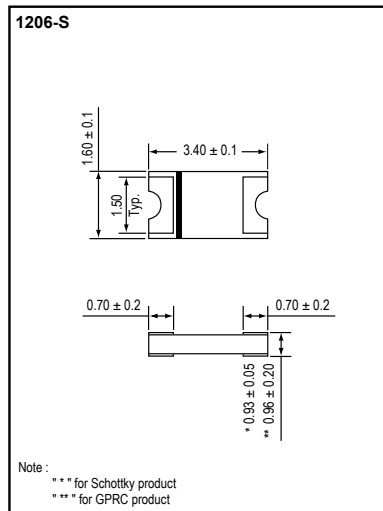
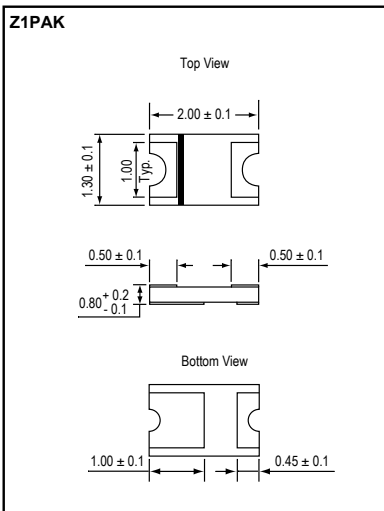
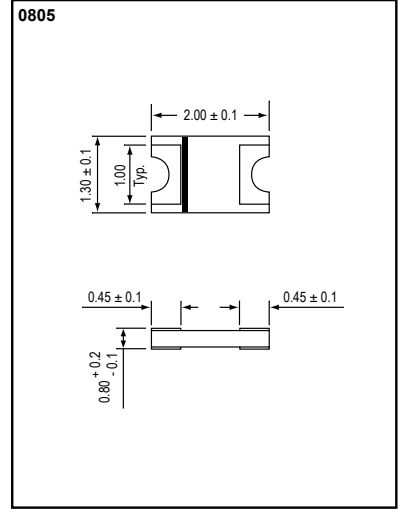
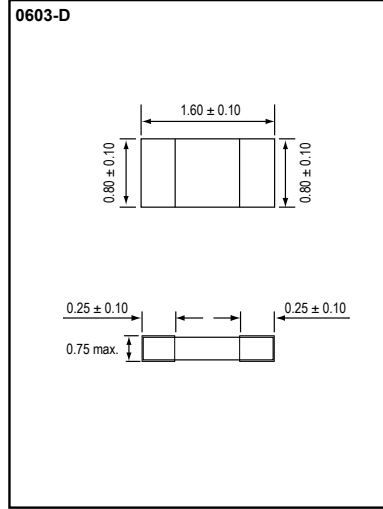
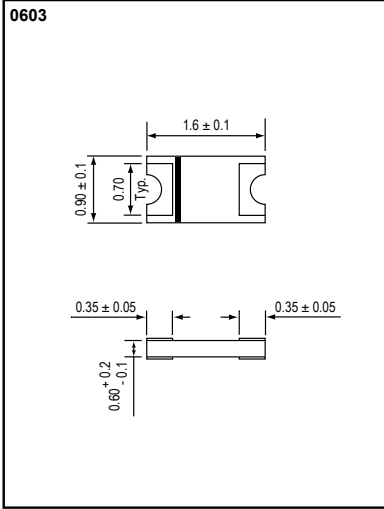
EMBOSSED TAPE

Unit : Millimeters (Inches)

SYMBOL	Tape size	φ A	φ B	φ C	W	T
DO-214AB (SMC) Z4PAK-D Z5PAK-T / Z6PAK 3220 DFS	16 (0.630)	330 ± 2.0 (12.992 ± 0.079)	50 min. (1.969 min.)	13.0 ± 0.5 (0.512 ± 0.020)	22.7 max. (0.893 max.)	18.4 max. (0.724 max.)
Z2PAK / Z2PAK 1206 1206-S 2010	12 (0.472)	178 ± 2.0 (7.008 ± 0.079)	50 min. (1.969 min.)	13.0 ± 0.5 (0.512 ± 0.020)	18.7 max. (0.736 max.)	14.4 max. (0.567 max.)
DO-214AC (SMA) DO-214AA (SMB) 2114 / Z3PAK / Z3PAK-T A3PS / Z4PAK MBC / MBCR / MBCN						
MBF / ABS / LBF						
0402 0603-D	8 (0.315)	178 ± 2.0 (7.008 ± 0.079)	60 ± 0.5 (2.362 ± 0.020)	13.5 ± 0.5 (0.532 ± 0.020)	12.0 ± 0.5 (0.472 ± 0.020)	9.5 ± 0.5 (0.374 ± 0.020)
Z1PAK 0603 / 0805	8 (0.315)	178 ± 2.0 (7.008 ± 0.079)	60 ± 0.5 (2.362 ± 0.020)	13.5 ± 0.5 (0.532 ± 0.020)	12.0 ± 0.5 (0.472 ± 0.020)	9.0 ± 0.5 (0.354 ± 0.020)
SOD-80 SOT-23 SOT-323 SOD-323 SOD-323 / Flat lead SOD-523 SOD-723 SOD-123 SOD-123 / Flat lead	8 (0.315)	178 ± 2.0 (7.008 ± 0.079)	50 min. (1.969 min.)	13.5 ± 0.5 (0.532 ± 0.020)	14.4 max. (0.567 max.)	8.40 ^{+1.50} ₋₀ (0.331 ^{+0.059} ₋₀)
SOD-123FL						60 ± 1.5 (2.362 ± 0.059)

CASE DRAWINGS

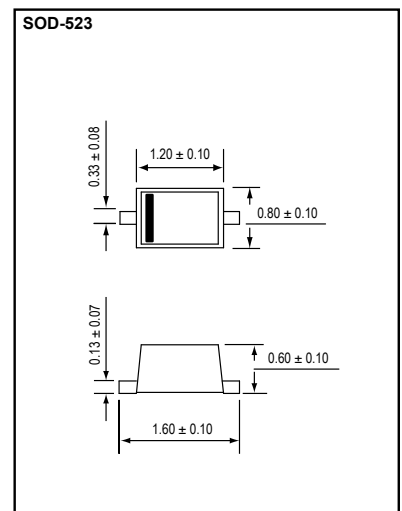
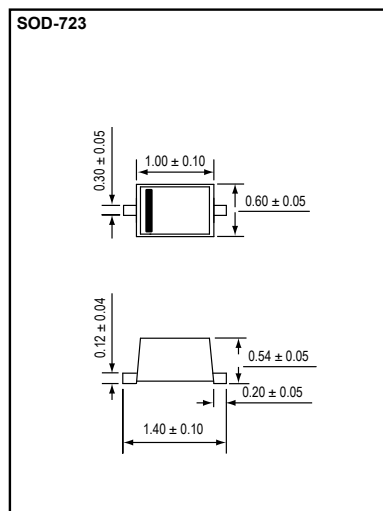
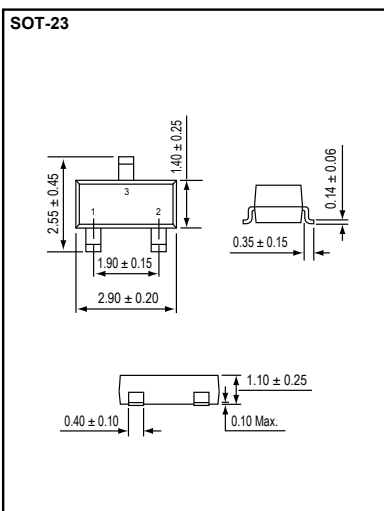
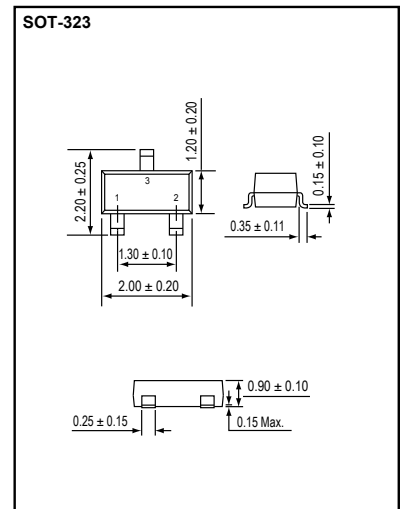
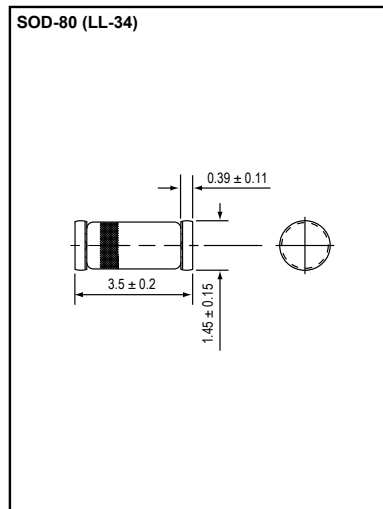
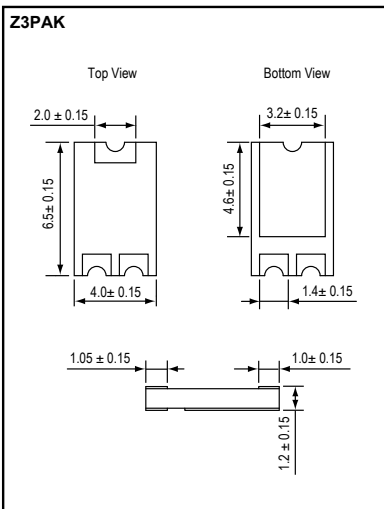
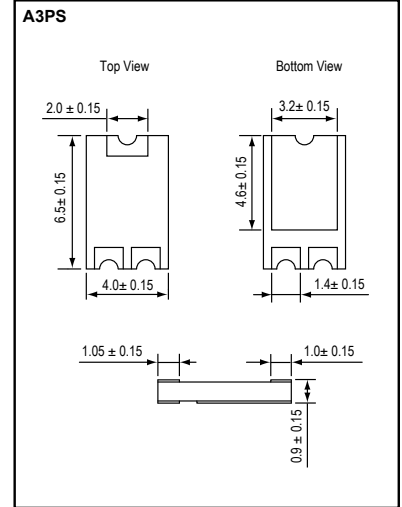
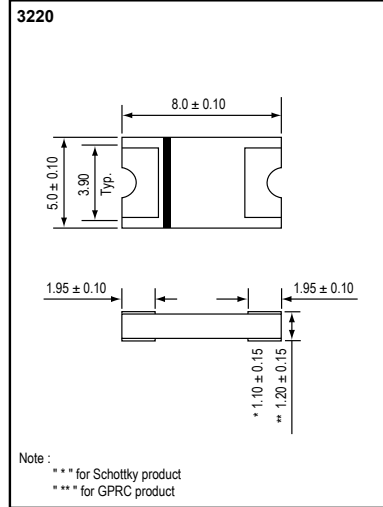
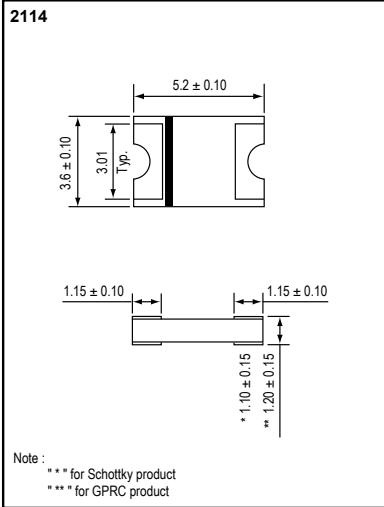
Unit : mm



CASE DRAWINGS

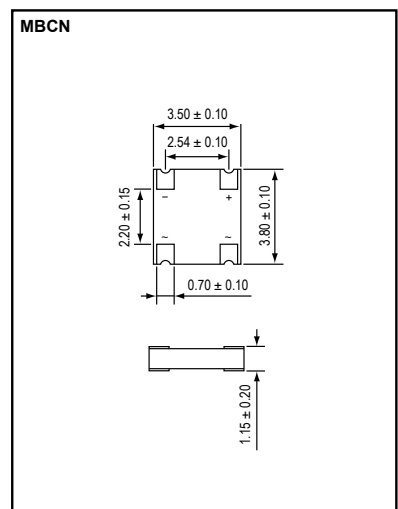
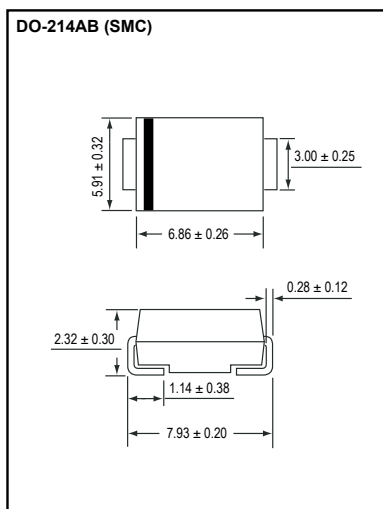
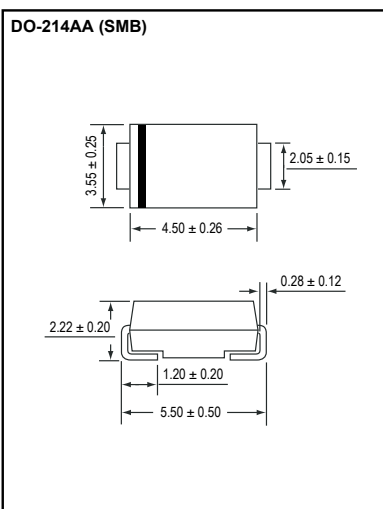
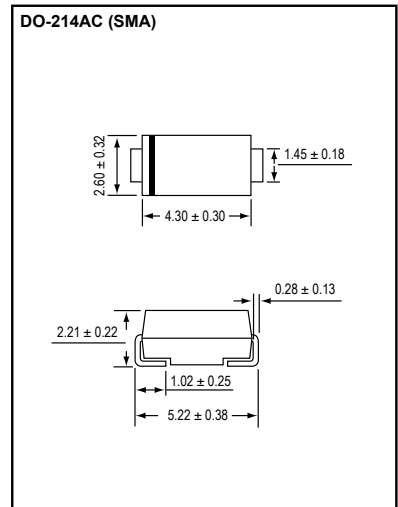
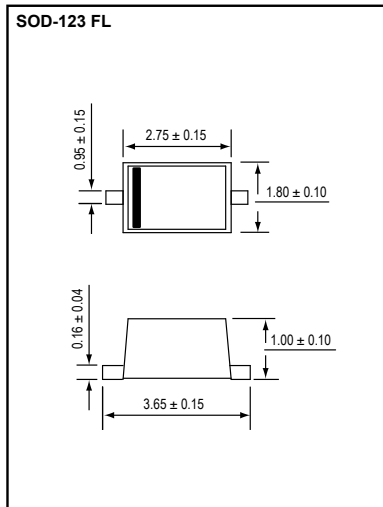
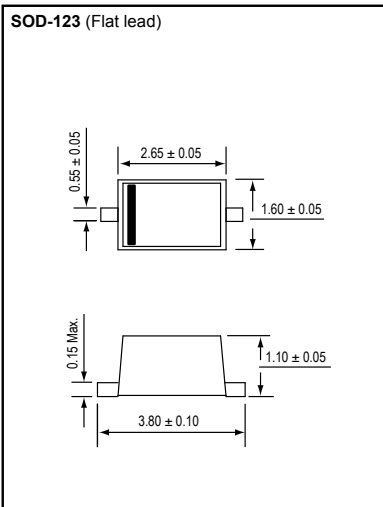
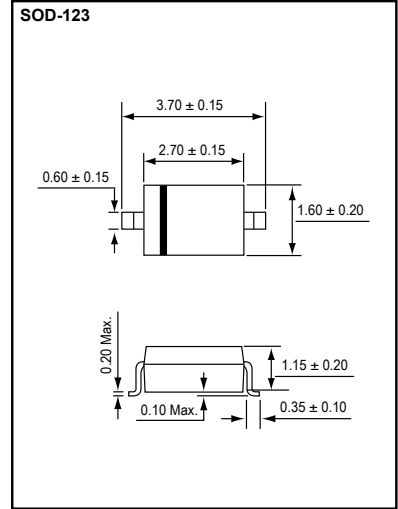
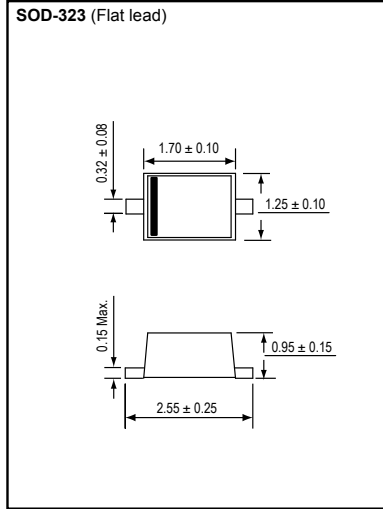
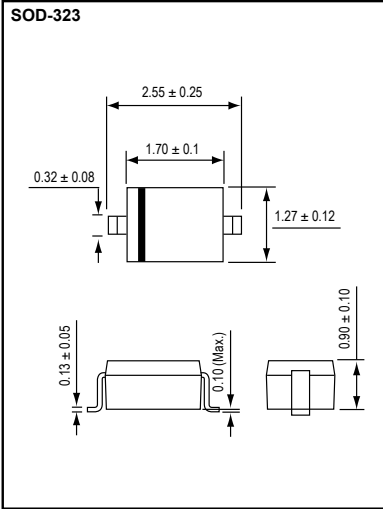
CASE DRAWINGS

Unit : mm



CASE DRAWINGS

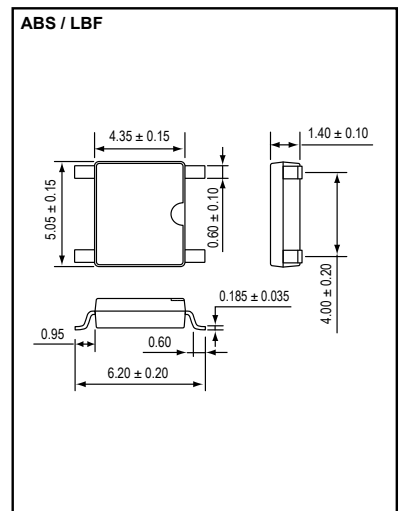
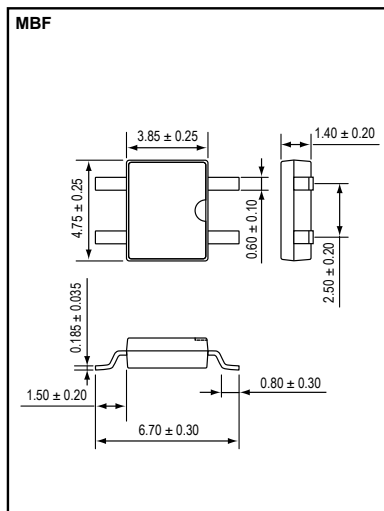
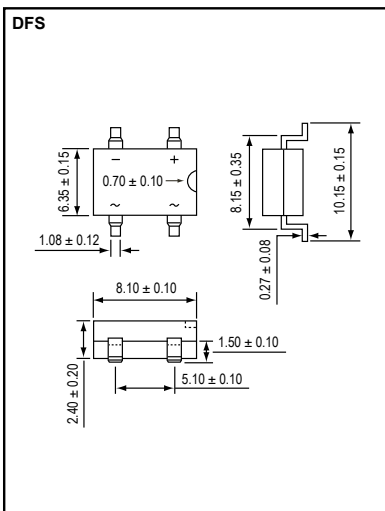
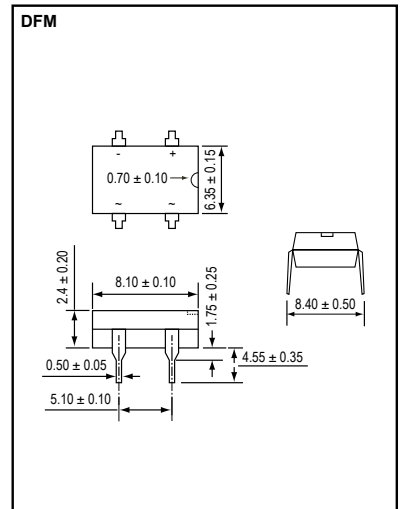
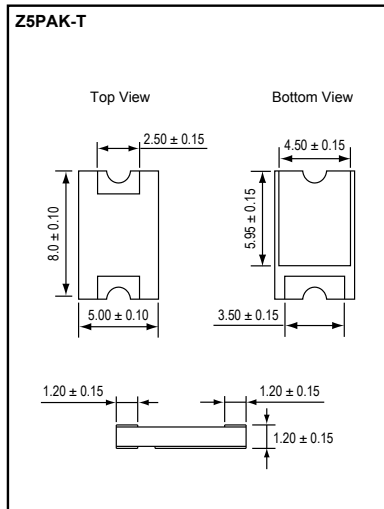
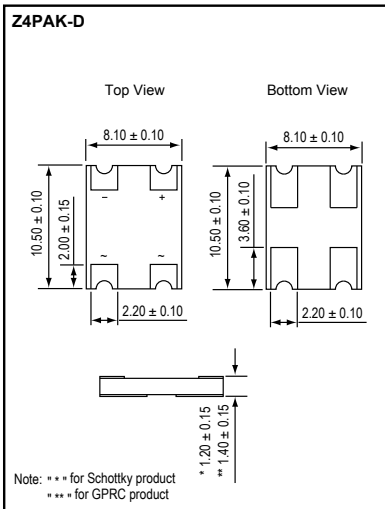
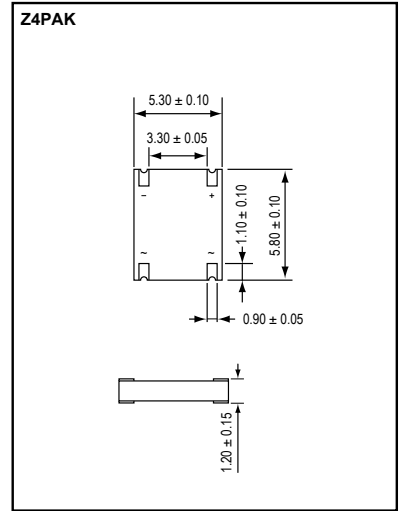
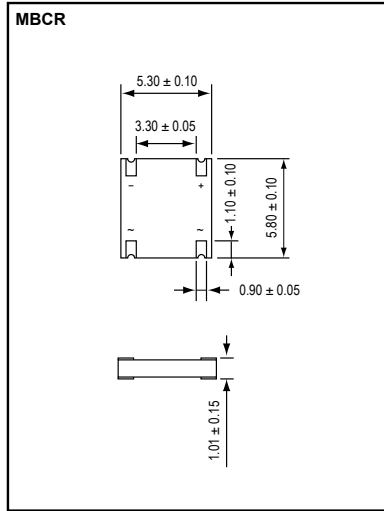
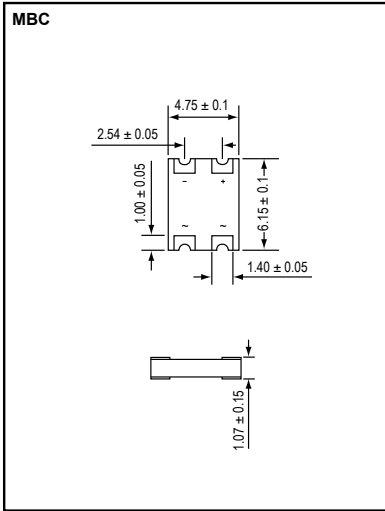
Unit : mm



CASE DRAWINGS

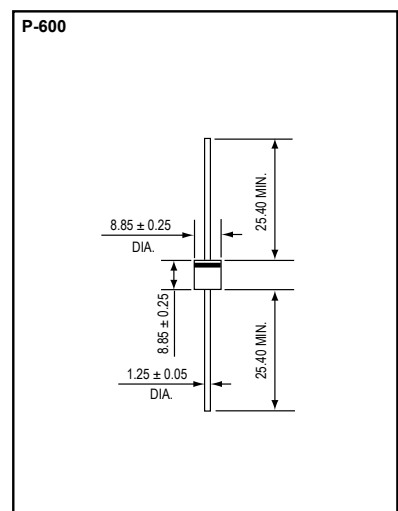
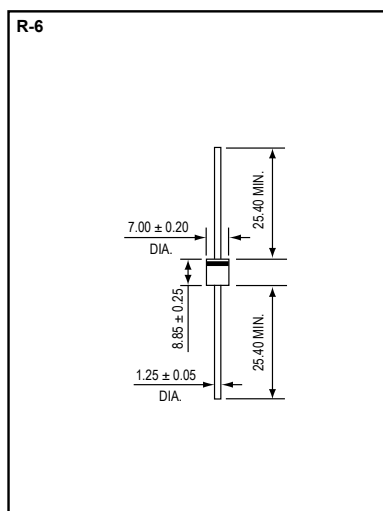
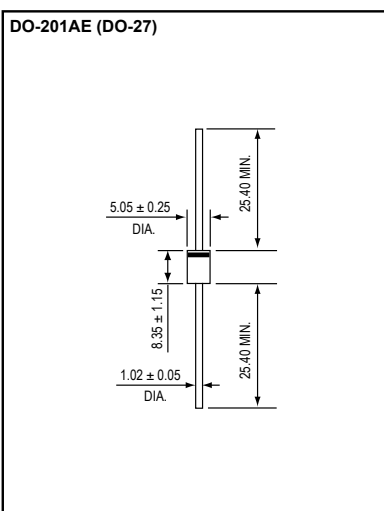
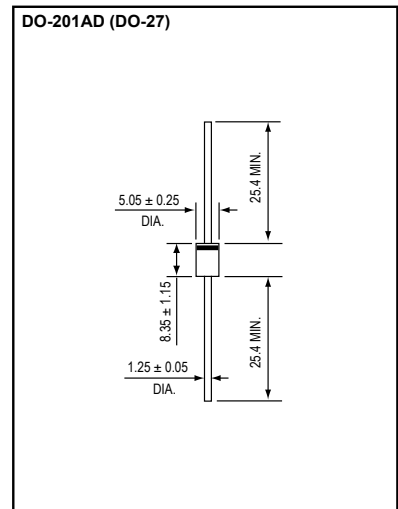
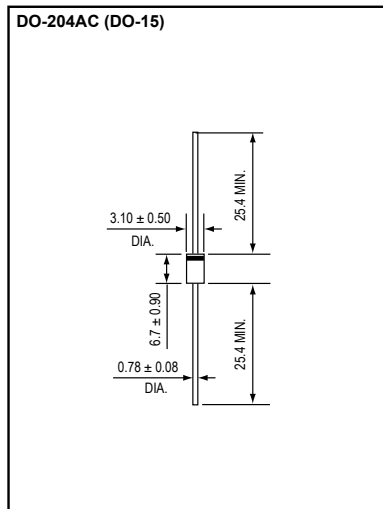
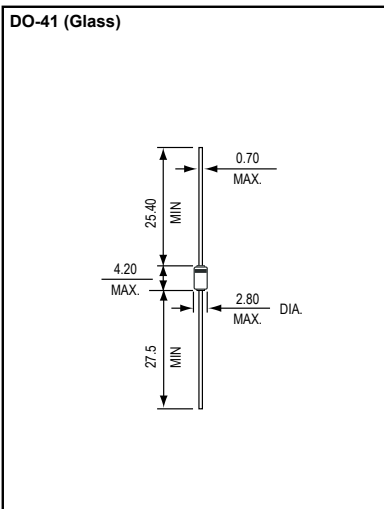
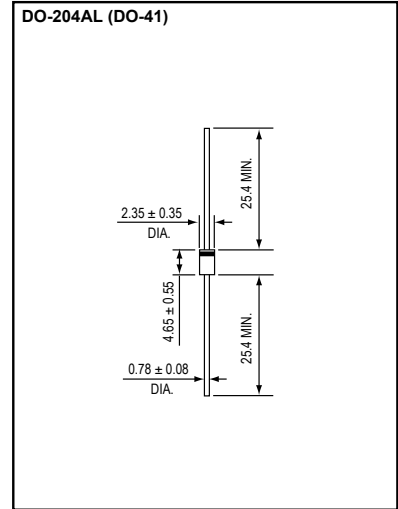
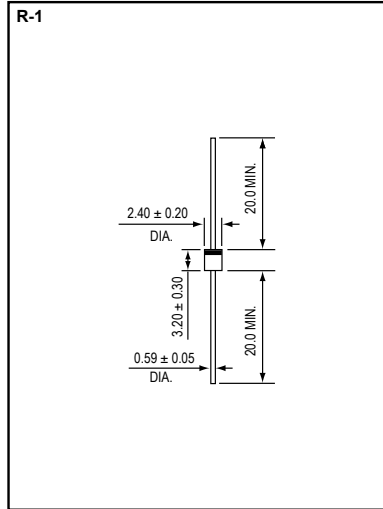
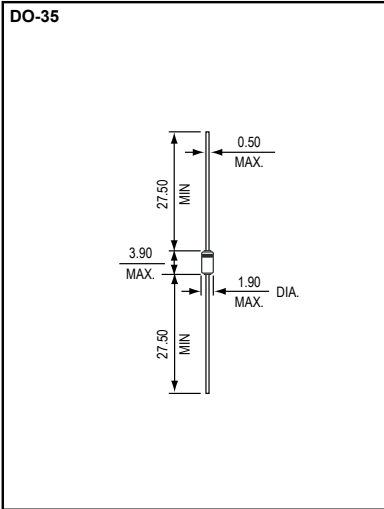
CASE DRAWINGS

Unit : mm



CASE DRAWINGS

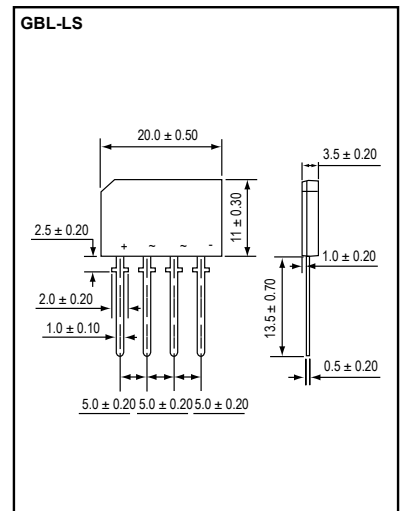
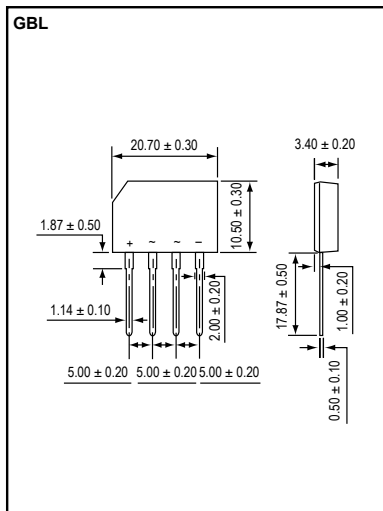
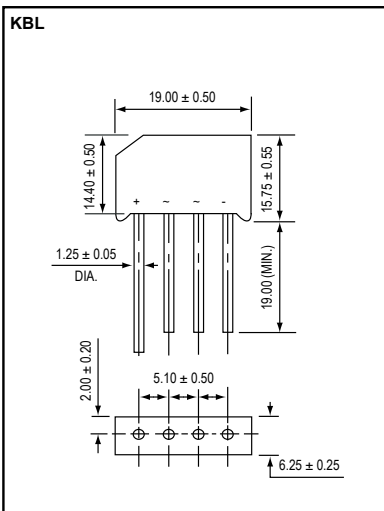
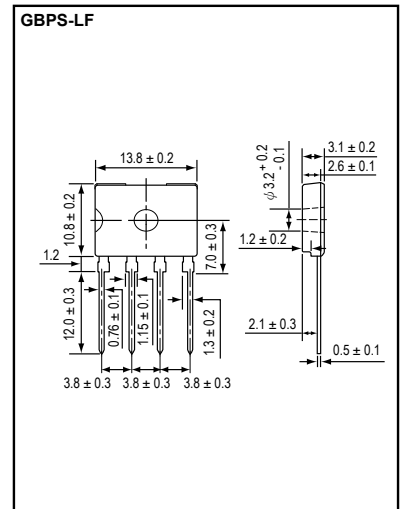
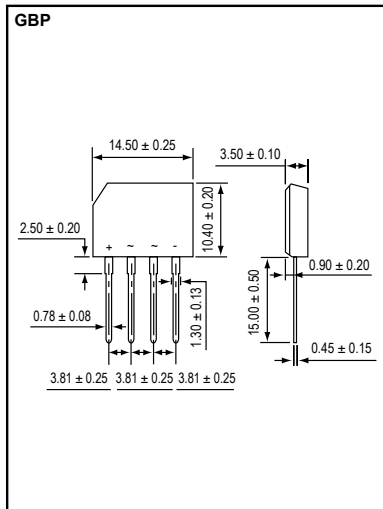
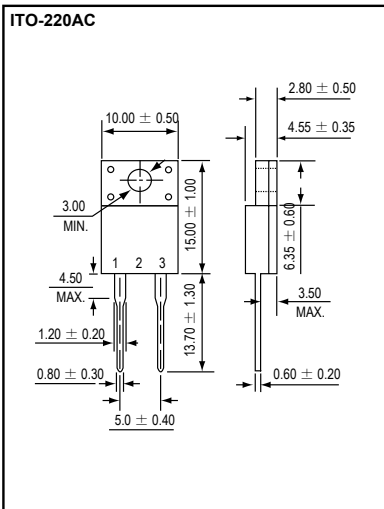
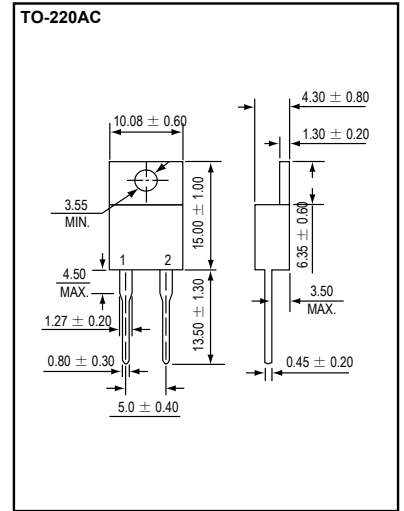
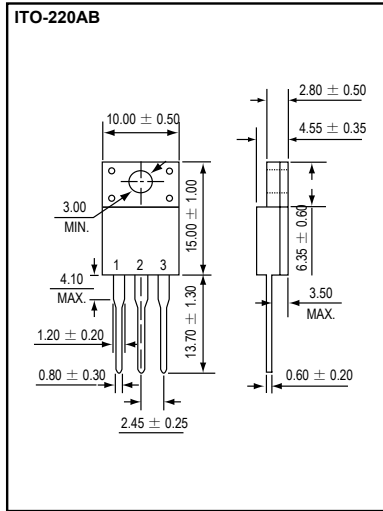
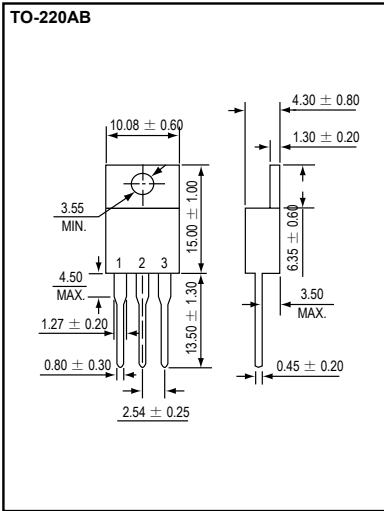
Unit : mm



CASE DRAWINGS

CASE DRAWINGS

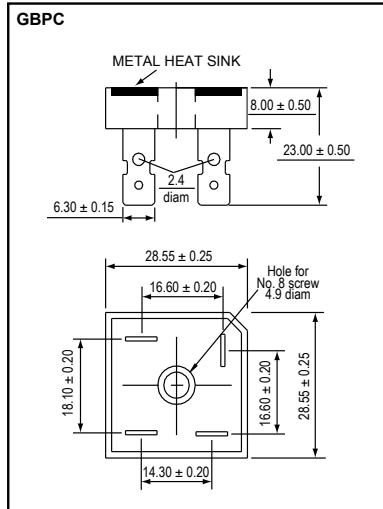
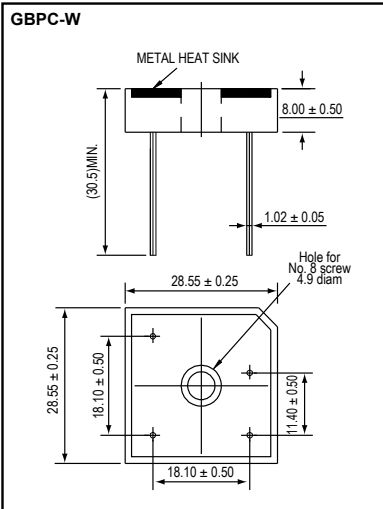
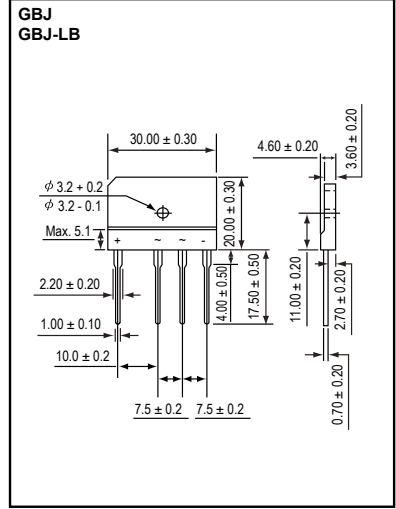
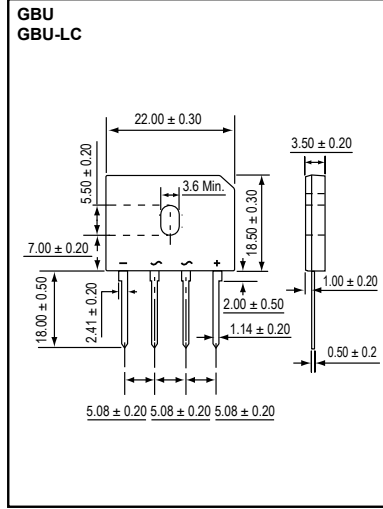
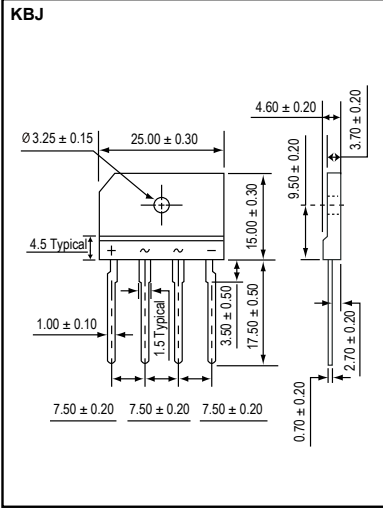
Unit : mm



CASE DRAWINGS

CASE DRAWINGS

Unit : mm



RECOMMENDED MINIMUM MOUNTING PAD LAYOUT SIZES FOR SURFACE MOUNT DEVICES

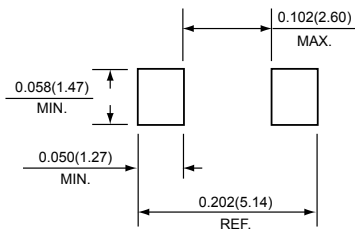
*Dimensions in inches and (millimeters)

<p>0603 0603-D</p>	<p>0805</p>
<p>Z1PAK</p>	<p>1206 1206-S</p>
<p>Z2PAK</p>	<p>Z2APAK</p>

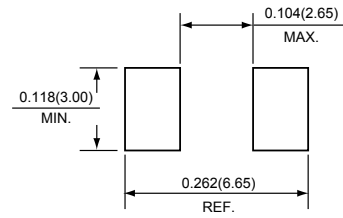
RECOMMENDED MINIMUM MOUNTING PAD LAYOUT SIZES FOR SURFACE MOUNT DEVICES

*Dimensions in inches and (millimeters)

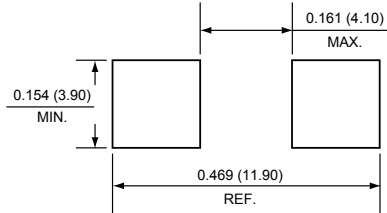
2010



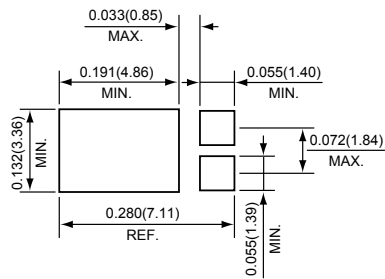
2114



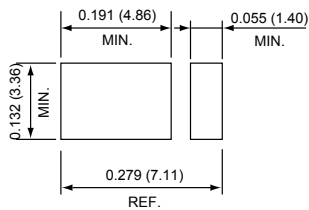
3220



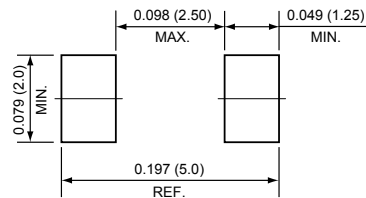
Z3PAK



Z3PAK-T



SOD-80 (LL-34)



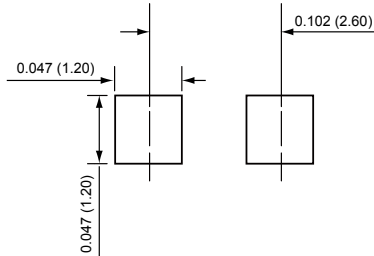
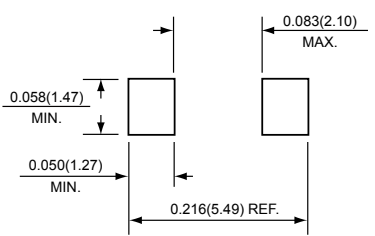
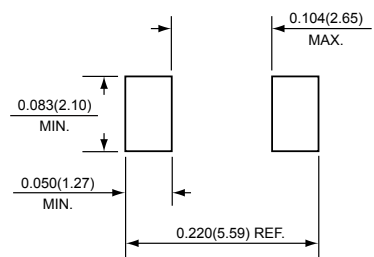
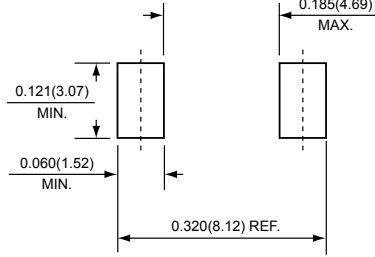
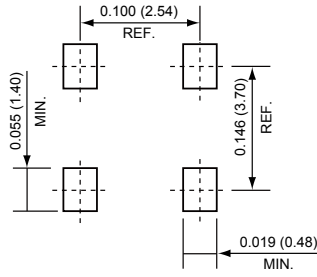
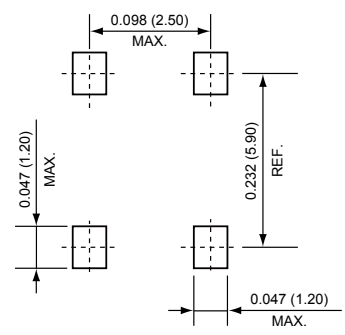
RECOMMENDED MINIMUM MOUNTING PAD LAYOUT SIZES FOR SURFACE MOUNT DEVICES

*Dimensions in inches and (millimeters)

<p>SOT-323</p>	<p>SOT-23</p>
<p>SOD-723</p>	<p>SOD-523</p>
<p>SOD-323 SOD-323 (Flat lead)</p>	<p>SOD-123 SOD-123 (Flat lead)</p>

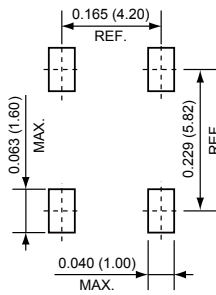
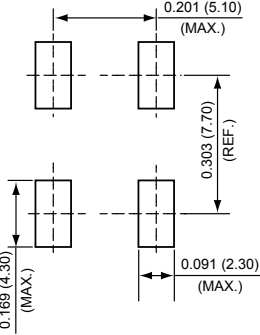
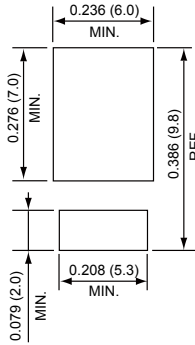
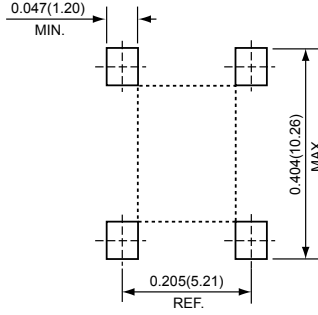
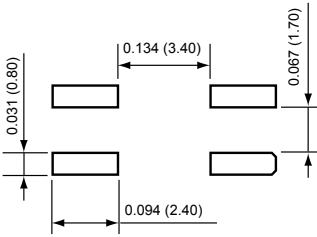
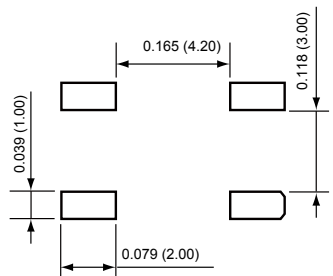
RECOMMENDED MINIMUM MOUNTING PAD LAYOUT SIZES FOR SURFACE MOUNT DEVICES

*Dimensions in inches and (millimeters)

<p>SOD-123FL</p> 	<p>DO-214AC (SMA)</p> 
<p>DO-214AA (SMB)</p> 	<p>DO-214AB (SMC)</p> 
<p>MBCN</p> 	<p>MBC</p> 

RECOMMENDED MINIMUM MOUNTING PAD LAYOUT SIZES FOR SURFACE MOUNT DEVICES

*Dimensions in inches and (millimeters)

<p>MBCR Z4PAK</p> 	<p>Z4PAK-D</p> 
<p>Z5PAK-T</p> 	<p>DFS</p> 
<p>MBF</p> 	<p>ABS / LBF</p> 



ZOWIE

ZOWIE Technology Corporation

智威科技股份有限公司

總公司 / Headquarter

23150 新北市新店區復興路43號3樓

3/F., No. 43, Fuxing Rd., Xindian Dist., New Taipei City, Taiwan 23150
TEL +886-2-22195533 FAX +886-2-22191133

新店廠 / Xindian Plant

23150 新北市新店區復興路43號2樓

2/F., No. 43, Fuxing Rd., Xindian Dist., New Taipei City, Taiwan 23150
TEL +886-2-22195533 FAX +886-2-22191133

智威電子(昆山)有限公司 / ZOWIE Electronics (Kunshan) Co., Ltd.

江蘇省昆山市經濟技術開發區南浜路162號 郵編 215300

No.162, Nanbang Rd., Economic and Technical Development Zone, Kunshan, Jiangsu, 215300 P.R.C.
TEL +86-512-57637188 FAX +86-512-57637100

WWW.ZOWIE.COM.TW

