

TDC7200EVM User's Guide

User's Guide



Literature Number: SNAU177
January 2015

1	EVM Key Features	4
2	EVM.....	5
3	Equipment List	6
4	Quick Start	6
5	Software Installation.....	7
	5.1 Installing the TDC7200 GUI.....	7
	5.2 MSP430 Firmware Upgrade	7
	5.3 Checking Connection	8
	5.4 Opening the GUI	9
6	Hardware Configuration	10
	6.1 EVM Connections.....	10
	6.2 Jumpers	13
7	GUI and Operation	13
8	Board Layout	16
9	Bill of Materials	19

List of Figures

1	TDC7200EVM Evaluation Board	5
2	Upgrading MSP430 Firmware.....	7
3	Device Manager.....	8
4	TDC7200 GUI	9
5	START and STOP Signals Scope Shot	11
6	TDC7200EVM Connection	12
7	Recommended TDC7200 Register Configuration (Default Settings).....	13
8	Graphing.....	14
9	Measurement Results	14
10	Top Assembly Layer	16
11	Bottom Layer.....	17
12	Schematic	18

List of Tables

1	TDC7200 Bill of Materials	19
---	---------------------------------	----

General Description

This guide details the use of the TDC7200EVM evaluation module (referred to as EVM for the remainder of this document). The TDC7200EVM is an evaluation module that allows users to evaluate the operation and performance of the TDC7200 Time-to-Digital Converter. One example application that requires accurate time-to-digital conversion is flow sensing. For this, the TDC7200 can be used with the TDC1000 ultrasonic analog-front-end to capture accurate time sensing for water/gas/heat flow meters. The EVM connects to the MSP430 LaunchPad evaluation kit for capturing data, and it connects to a user-friendly Graphic User Interface (GUI) to modify the registers and display the data.

1 EVM Key Features

1. Evaluate TDC7200 Time-to-Digital Converter
2. EVM connect with MSP430 Launch Pad (MSP-EXP430F5529LP)
3. User friendly TDC7200 GUI interface
4. Connection for START and STOP inputs
5. Powered by MSP430 LaunchPad (no external power needed)

2 EVM

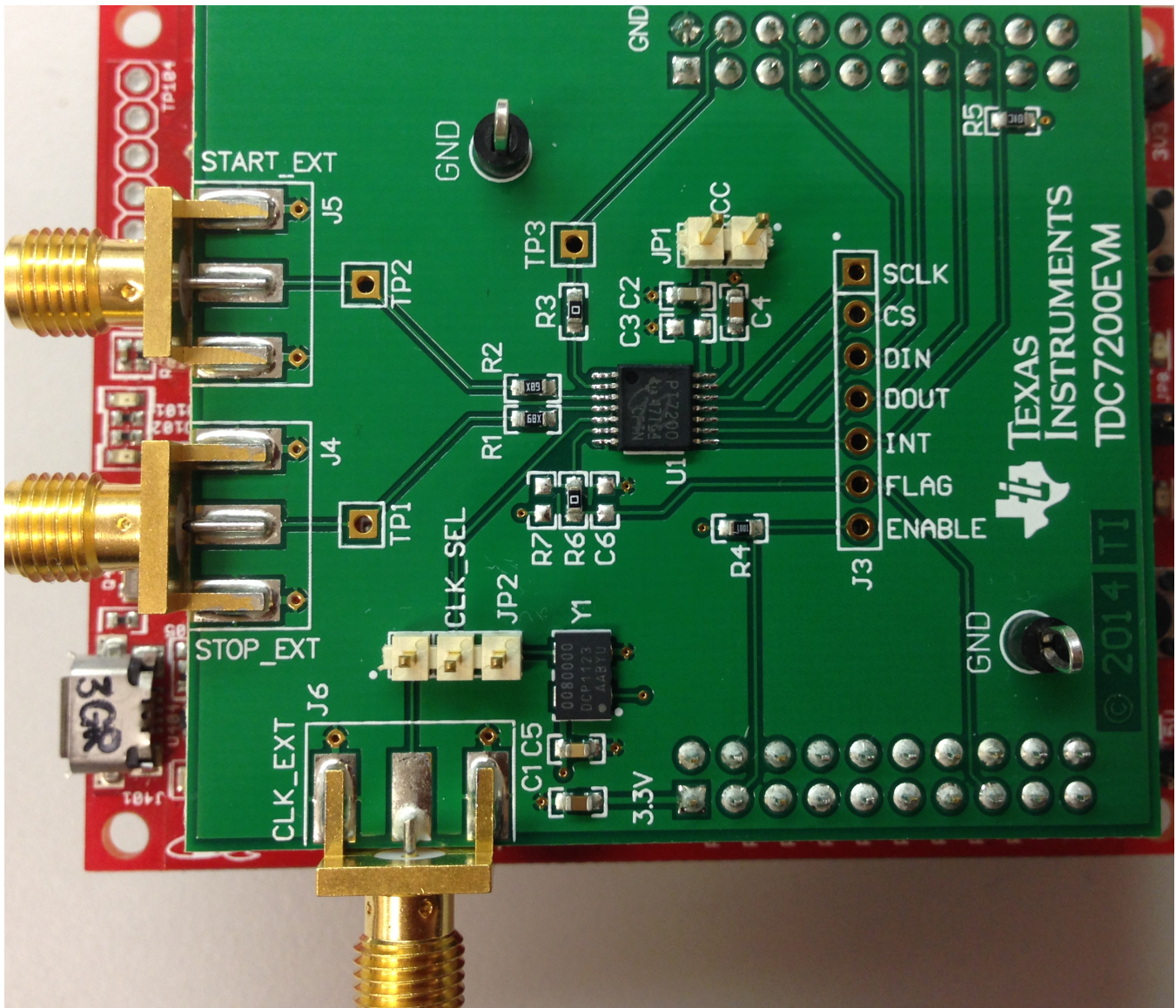


Figure 1. TDC7200EVM Evaluation Board

3 Equipment List

1. TDC7200EVM
2. TDC7200 GUI
3. MSP430 launchpad (<http://www.ti.com/tool/msp-exp430f5529lp>)
4. Micro-USB cable
5. Dual function generator (for example: Tektronix's AFG3102)
6. PC with Windows XP or Windows 7
7. 2 BNC-to-SMA cables

4 Quick Start

1. Download and Install TDC7200EVM (GUI) Software. See [Section 5](#) for more information.
2. Connect the USB cable from the MSP430 LaunchPad to the PC
3. Connect the TDC7200EVM to the MSP430 LaunchPad via J1 and J2
4. Connect START and STOP pulses to the TDC7200EVM via J5 and J4. See [Section 6](#) for more information.
5. Launch the GUI. See [Section 7](#) for more information
6. On the "GRAPH" tab, press the "START GRAPH" button.

5 Software Installation

This section describes software installation, firmware upgrade, and how to update USB Driver.

5.1 Installing the TDC7200 GUI

1. Download the TDC7200 Software GUI zip file to your desktop.
2. Unzip the file.
3. Run the setup.exe file.
4. Follow the instructions to install the GUI.
5. Once done, you should be able to see the installation in your folder, for example, C:\ folder, such as C:\Program Files (x86)\Texas Instruments\TDC7200EVM.
6. Note: as part of this GUI installation, the GUI driver for the TDC7200EVM is also installed.

5.2 MSP430 Firmware Upgrade

1. Open the **TDC7200 GUI**.
2. Click on the **Debug** tab.
3. Click on “**Update Firmware**”.
4. Click **Next** to proceed on the first prompt; read and accept the license agreement, and click **Next** to continue.
5. Choose “**Select Firmware**”, and then hit “**Browse**”
 - (a) Go to the folder where you downloaded the TDC7200 GUI. For example: C:\Program Files (x86)\Texas Instruments\TDC7200EVM
 - (b) Find the **Firmware folder** . For example: C:\Program Files (x86)\Texas Instruments\TDC7200EVM\Firmware
 - (c) Select the TDC7200 firmware text file
6. On the MSP430 LaunchPad board, press the **BSL button** (S5 or S3) and **connect the MSP430 Launch Pad to your PC** using a **USB cable**. If detected, the text on the Firmware Upgrade tool changes from No device connected to **Found 1 device**. See [Figure 2](#).
7. On the MSP430 USB Firmware Upgrade GUI, click “Upgrade Firmware”.
8. Click “**Close**” when done.

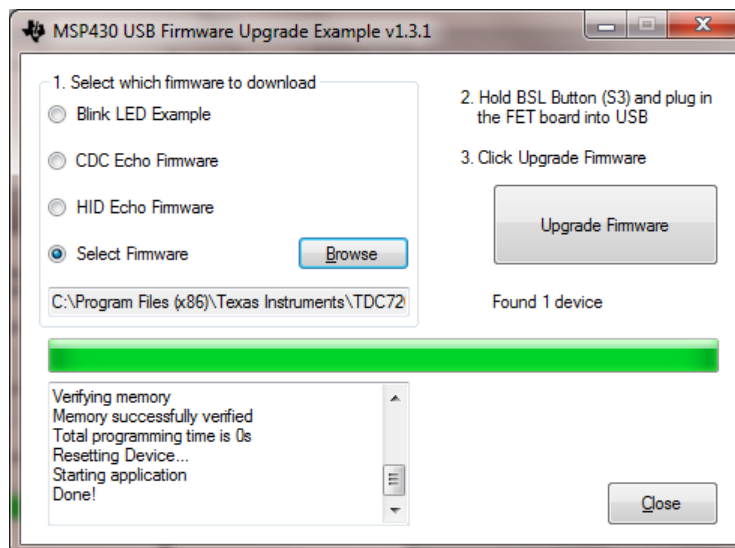


Figure 2. Upgrading MSP430 Firmware

5.3 Checking Connection

1. If you haven't done so, connect the **USB cable** from the MSP430 Launch Pad to your PC.
2. If you haven't done so, connect the **TDC7200EVM** to the MSP430 Launch Pad via J1 and J2 as shown in [Figure 6](#).
3. Open the computer's **Device Manager** . This can be done by right clicking on "My Computer", choose "Properties", then click on "Device Manager".
4. Scroll down to "**Ports (COM & LPT)**"
5. You should be able to see the "**TDC7200EVM (COMx)**" as shown in [Figure 3](#)

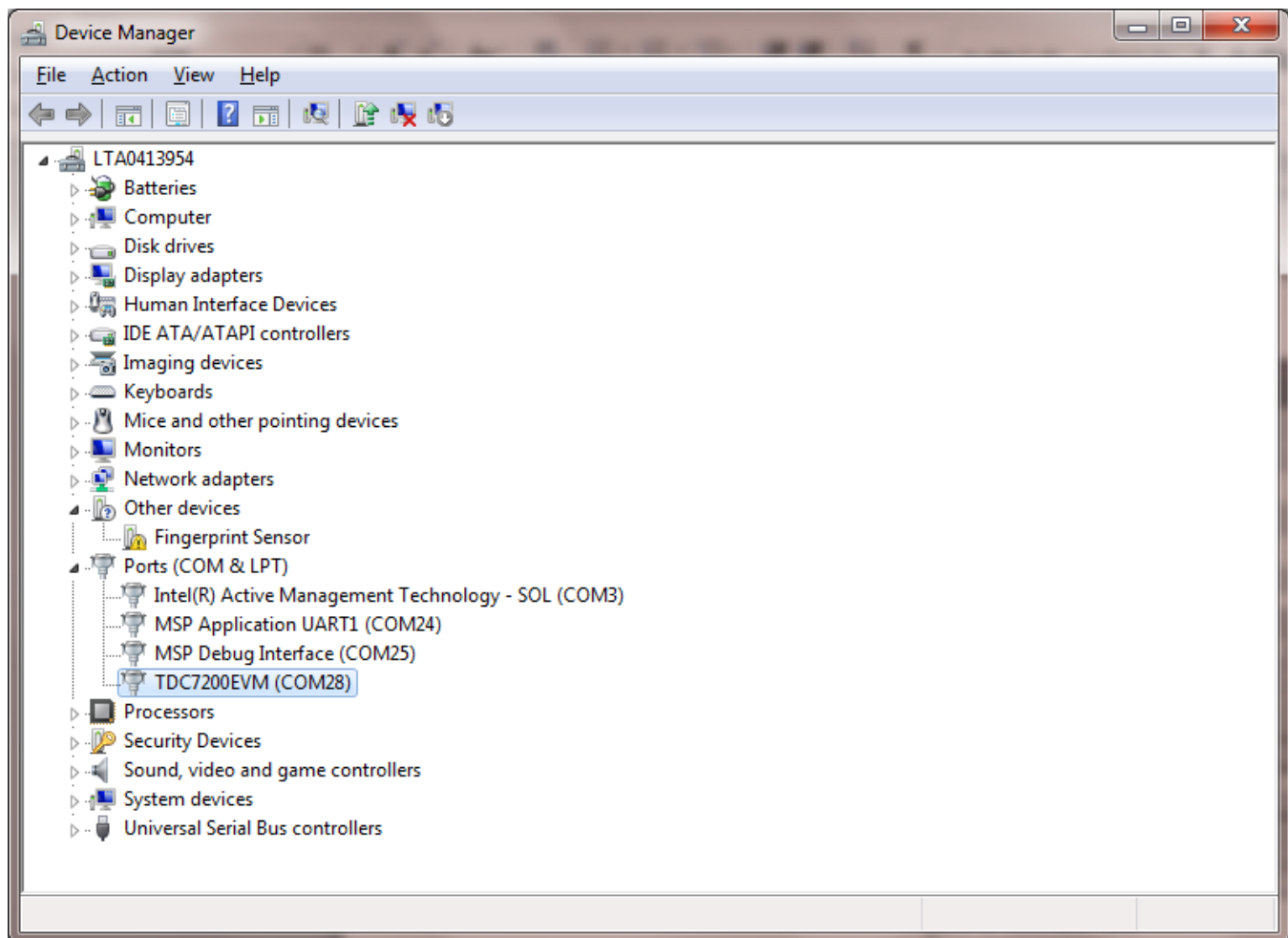


Figure 3. Device Manager

5.4 Opening the GUI

1. If you haven't done so, connect the **USB cable** from the **MSP430 Launch Pad** to your **PC**.
2. If you haven't done so, connect the **TDC7200EVM** to the MSP430 Launch Pad via J1 and J2 as shown in [Figure 6](#).
3. Run the TDC7200 GUI from the "Start Menu". By default, it is located in "Programs\Texas Instruments\TDC7200EVM"
4. GUI should automatically connect and show the screen depicted in [Figure 4](#).

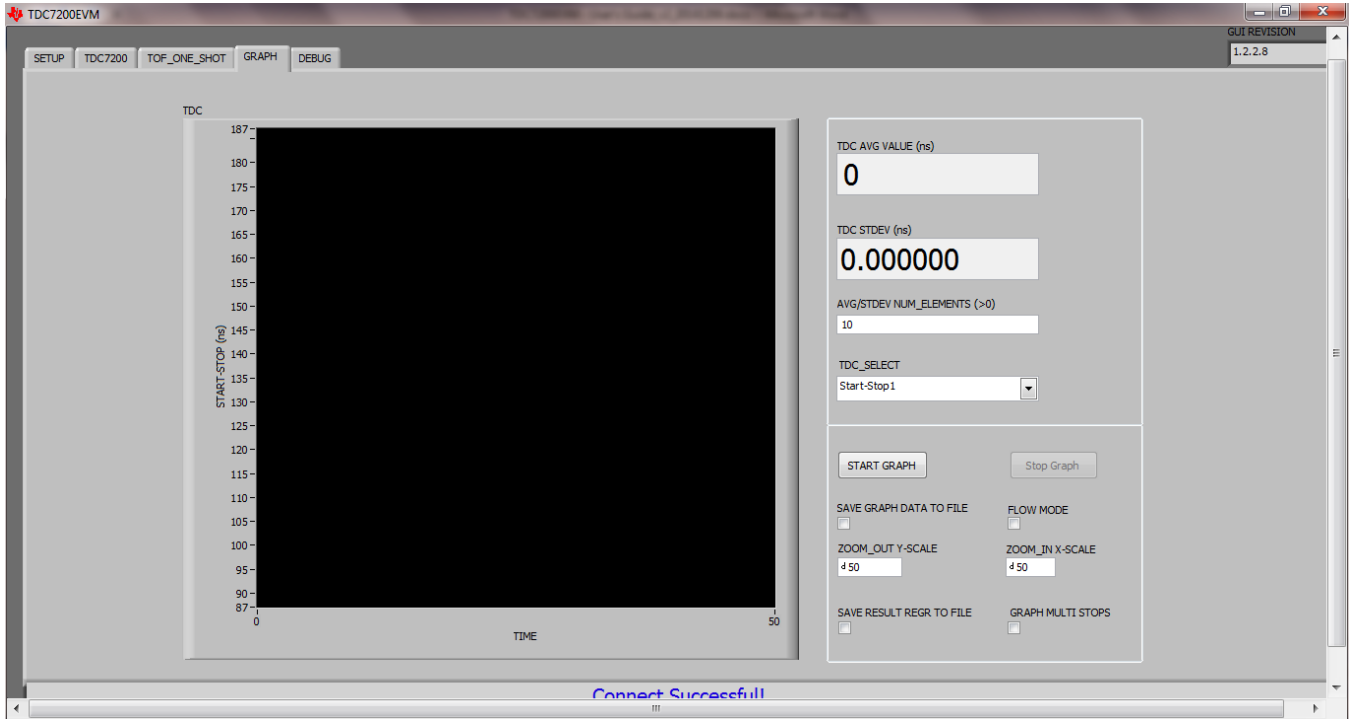


Figure 4. TDC7200 GUI

6 Hardware Configuration

This section describes how to properly set up the connections on the EVM

6.1 EVM Connections

1. If you haven't done so, connect the USB cable from the MSP430 Launch Pad to your PC.
2. If you haven't done so, connect the TDC7200EVM to the MSP430 Launch Pad via J1 and J2 as shown in [Figure 6](#).
3. Setting the Dual Channel Function Generator (for example: Tektronix's AFG3102):
 - (a) Set channel 1 of the dual function generator to as follows (see [Figure 5](#)):
 - (i) Pulse 1-Cycle
 - (ii) Burst mode
 - (iii) Freq = 40kHz
 - (iv) Delay = 0s
 - (v) Amplitude = 3.3Vpp
 - (vi) Offset = 1.65V
 - (vii) Duty = 20%
 - (b) Set channel 2 of the dual function generator to as follows (see [Figure 5](#)):
 - (i) Pulse 1-Cycle
 - (ii) Burst mode
 - (iii) Freq = 40 kHz
 - (iv) Delay = 19us --> **this is the time-of-flight (TOF)**
 - (v) Amplitude = 3.3 Vpp
 - (vi) Offset = 1.65 V
 - (vii) Duty = 20%

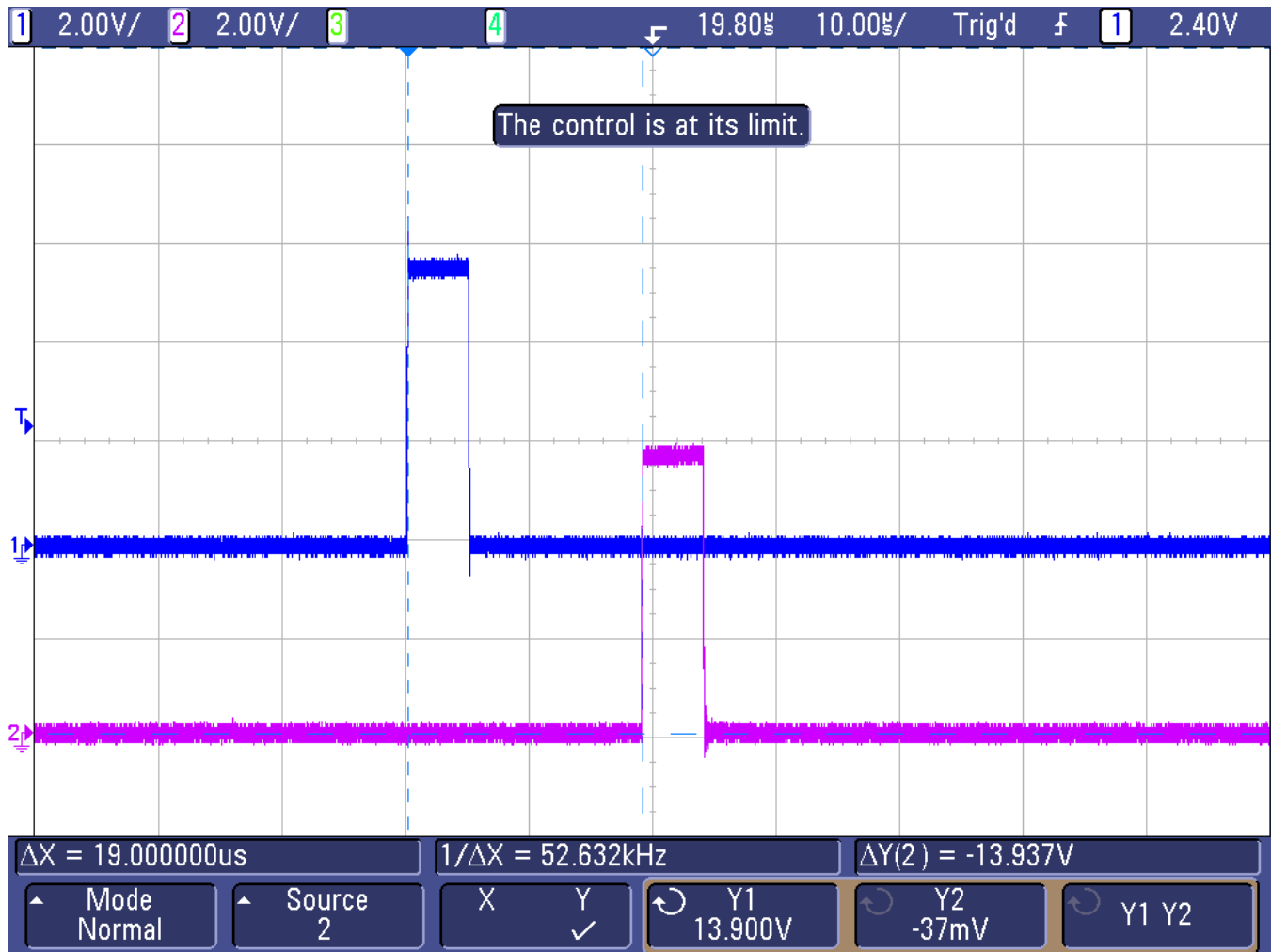


Figure 5. START and STOP Signals Scope Shot

4. Connecting the Input Signal:
 - (a) Using a USB-to-SMA cable, connect channel 1 of the dual function generator to TDC7200EVM's **START** connector (J5)
 - (b) Using a USB-to-SMA cable, connect channel 2 of the dual function generator to TDC7200EVM's **STOP** connector (J4). See [Figure 6](#).

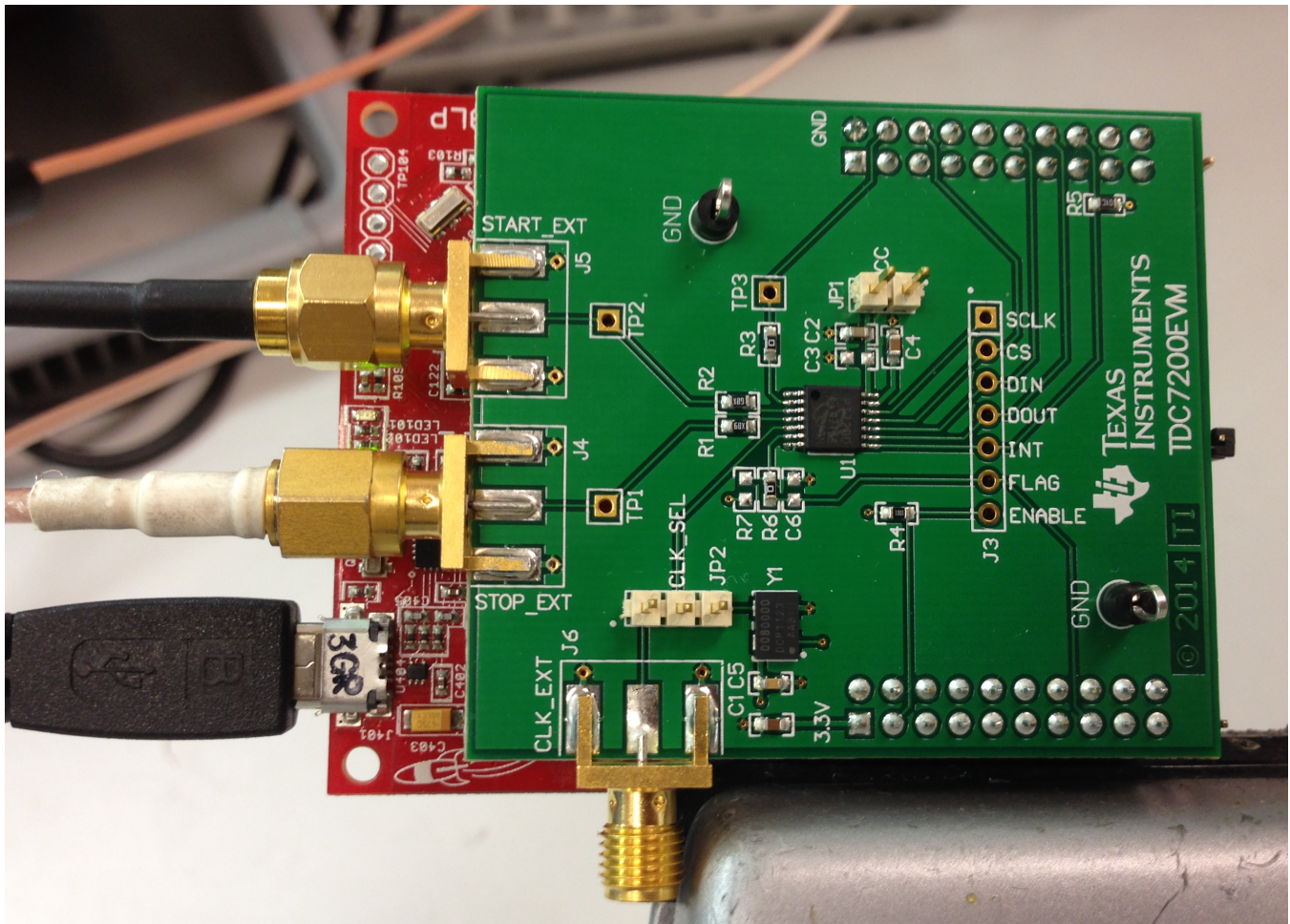


Figure 6. TDC7200EVM Connection

6.2 Jumpers

The following shows the jumper connection:

1. Jumper JP1: VCC power
 - (a) Connect Pin 1 to Pin 2 – power VCC via MSP430 (**recommend**)
 - (b) Open Pin 1 and Pin2 – no connection to VCC via MSP430; need to apply external power
2. Jumper JP2: CLOCK source
 - (a) Connect Pin 1 to Pin 2 – use external clock as the CLOCK source.
 - (b) Connect Pin 2 to Pin 3 – use Y1 as the CLOCK source (**recommend**)

7 GUI and Operation

1. If you haven't done so, open the **TDC7200EVMGUI**. The EVM GUI software can be run by clicking on Start >> All Programs >> Texas Instruments >> TDC7200.
2. Click on the “**TDC7200**” tab and make sure the TDC7200 register configuration is as follows (default settings):

<p>CONFIG1 (0x00)</p> <p>START No Effect</p> <p>MODE Measurement Mode 2</p> <p>START EDGE POLARITY Rising Edge</p> <p>STOP EDGE POLARITY Rising Edge</p> <p>TRIGG EDGE POLARITY Rising Edge</p> <p>PARITY_EN Disabled</p> <p>FORCE CALIBRATION No Calibration after intrpt</p> <p>R</p>	<p>CONFIG2 (0x01)</p> <p>NUMBER OF STOPS Single</p> <p>AVERAGING CYCLES 1 Meas Cycle</p> <p>CALIBRATION 2 PERIODS 2 Clock Periods</p> <p>R</p> <p>COARSE CNTR_OV_H (0x04) × FF</p> <p>R</p> <p>COARSE CNTR_OV_L (0x05) × FF</p> <p>R</p>	<p>INTERRUPT STATUS (0x02)</p> <p>NEW_MEAS_INT Interrupt Detected</p> <p>COARSE_CNTR_OVERFLOW_INT Overflow Not Detected</p> <p>CLOCK_CNTR_OVERFLOW_INT Overflow Not Detected</p> <p>MEASUREMENT STARTED FLAG Measurement Started</p> <p>MEASUREMENT COMPLTD FLAG Measurement Complete</p> <p>R</p>	<p>INTERRUPT MASK (0x03)</p> <p>NEW_MEAS_MASK Interrupt Enabled</p> <p>COARSE_CNTR_OVERFLOW_MASK Interrupt Enabled</p> <p>CLOCK_CNTR_OVERFLOW_MASK Interrupt Enabled</p> <p>R</p> <p>CLOCK_CNTR_STOP_MASK_H (0x08) × 00</p> <p>R</p> <p>CLOCK_CNTR_STOP_MASK_L (0x09) × 00</p> <p>R</p>
<p>CLOCK_CNTR_OV_H (0x06) × FF</p> <p>R</p>	<p>CLOCK_CNTR_OV_L (0x07) × FF</p> <p>R</p>	<p>READ ALL LOAD CONFIG SAVE CONFIG</p>	

Figure 7. Recommended TDC7200 Register Configuration (Default Settings)

3. Click on the **“Graph”** tab, then click on **“START GRAPH”**. You should be able to read **19 μ s** (assuming you follow the instructions as specified in [Section 6.1](#)).

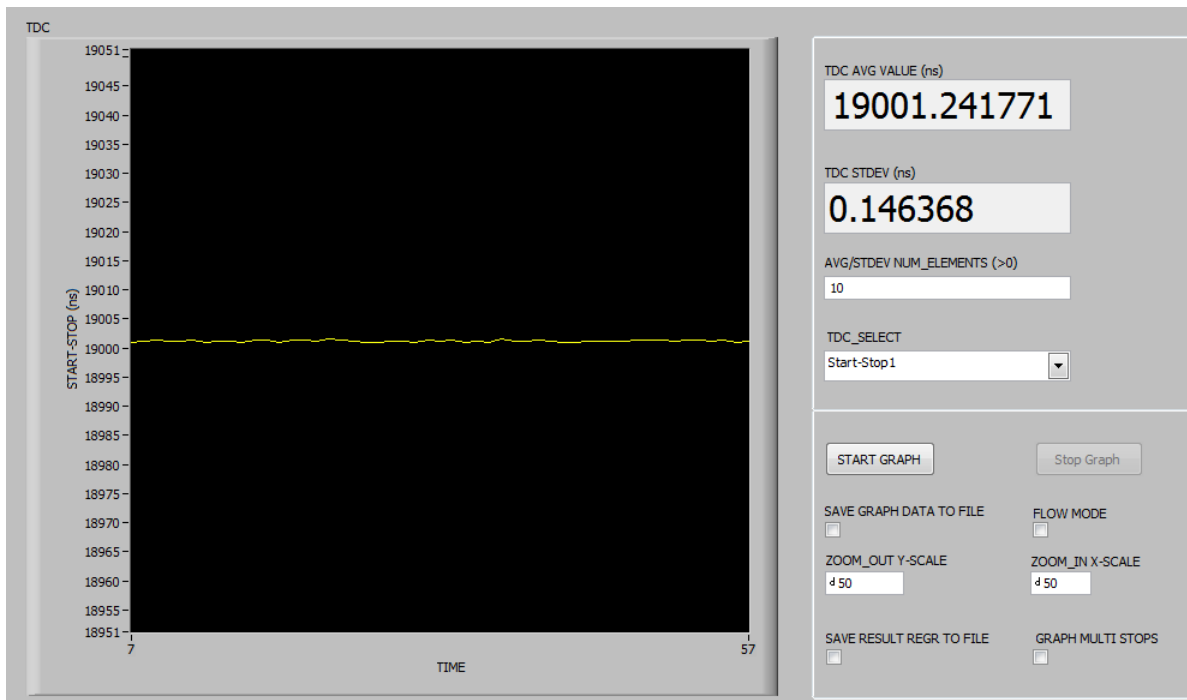


Figure 8. Graphing

4. Calculating Time-of-Flight:
 - (a) In the GUI, click on the **“TOF_ONE_SHOT”** tab
 - (b) You should be able to see SIMILAR measurement results register values as shown in [Figure 9](#) (assuming you follow the instructions as specified in [Section 6.1](#)).

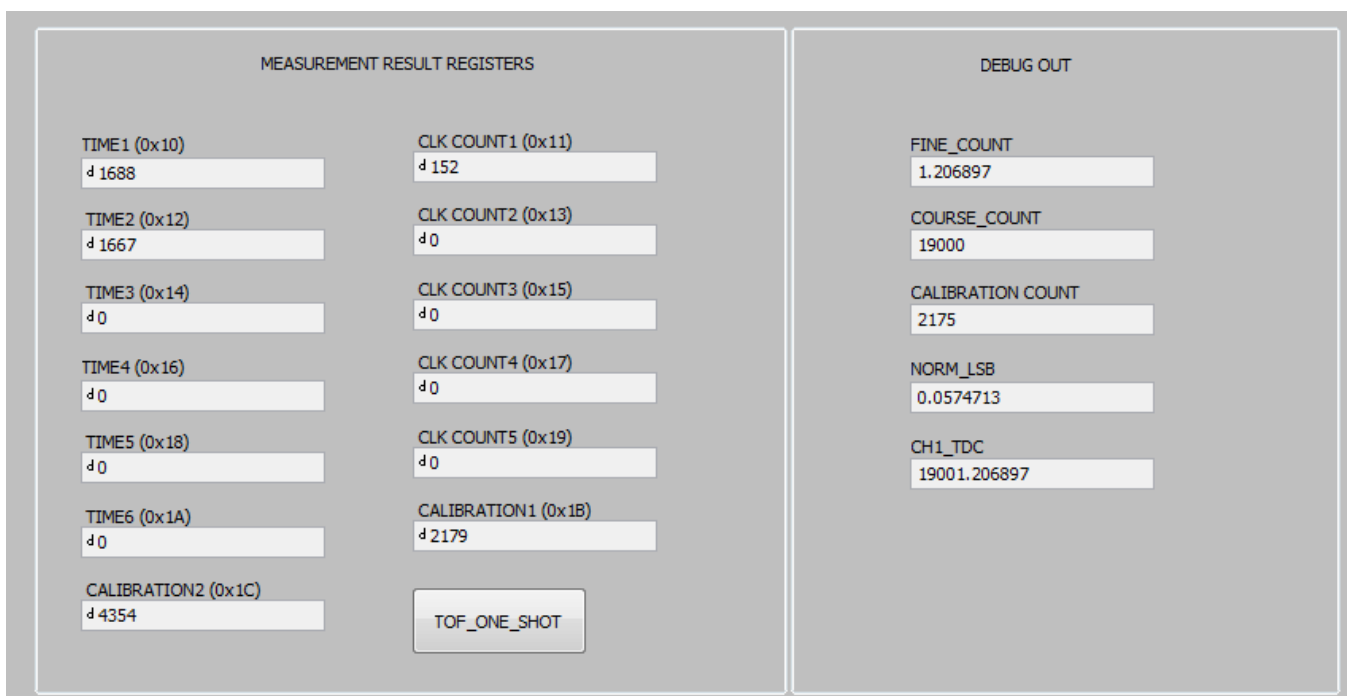


Figure 9. Measurement Results

- (c) To calculate the time-of-flight, use the Measurement Mode 2 Time-of-Flight calculation as shown in [Equation 1](#) (equation shown below). For more information, refer to the TDC7200 datasheet.
- (d) Use the values reported in the Measurement Result Registers ([Figure 9](#)) to validate the time-of-flight as ~19us (assuming you follow the instructions as specified in [Section 6.1](#)).

$$TOF_n = [(TIME1)(normLSB) + offset] + (CLOCK_COUNT_n)(CLOCKperiod) - [(TIME_{n+1})(normLSB) + offset]$$

$$TOF_n = normLSB(TIME1 - TIME_{n+1}) + (CLOCK_COUNT_n)(CLOCKperiod)$$

$$normLSB = \frac{(CLOCKperiod)}{(calCount)}$$

$$calCount = \frac{CALIBRATION2 - CALIBRATION1}{(CALIBRATION2_PERIODS) - 1}$$

where

- TOFn [second] = time-of-flight measurement from the START to the nth STOP
- normLSB [sec] = normalized LSB value from calibration
- TIME1 = time 1 measurement given by the TDC7200 register address 0x10
- TIME_{n+1} = (n+1) time measurement given by the TDC7200 register addresses 0x12, 0x14, 0x16, 0x18, and 0x1A
- CLOCK_COUNTn = nth clock count values in register addresses 0x11, 0x13, 0x15, 0x17, and 0x19
- CLOCKperiod [sec] = external CLOCK period
- offset [sec] = constant measurement offset
- CALIBRATION1 [count] = TDC count for first calibration cycle, located in register address 0x1B
- CALIBRATION2 [count] = TDC count for second calibration cycle, located in register address 0x1C
- CALIBRATION2_PERIODS = calibration count bits, located in register address 0x01

$$calCount = \frac{CALIBRATION2 - CALIBRATION1}{(CALIBRATION2_PERIODS) - 1} = \frac{(4354 - 2179)}{(2) - 1} = 2175$$

$$normLSB = \frac{(CLOCKperiod)}{(calCount)} = \frac{(1/8MHz)}{2175} = 5.74 * 10^{-11}$$

$$TOF1 = normLSB(TIME1 - TIME2) + (CLOCK_COUNT1)(CLOCKperiod)$$

$$TOF1 = (5.74 * 10^{-11})(1688 - 1667) + (152)(1/8MHz)$$

$$TOF1 = 19.001us$$

8 Board Layout

NOTE: The board layout is not to scale. The following figures are intended to show how the board is laid out; it is not intended to be used for manufacturing.

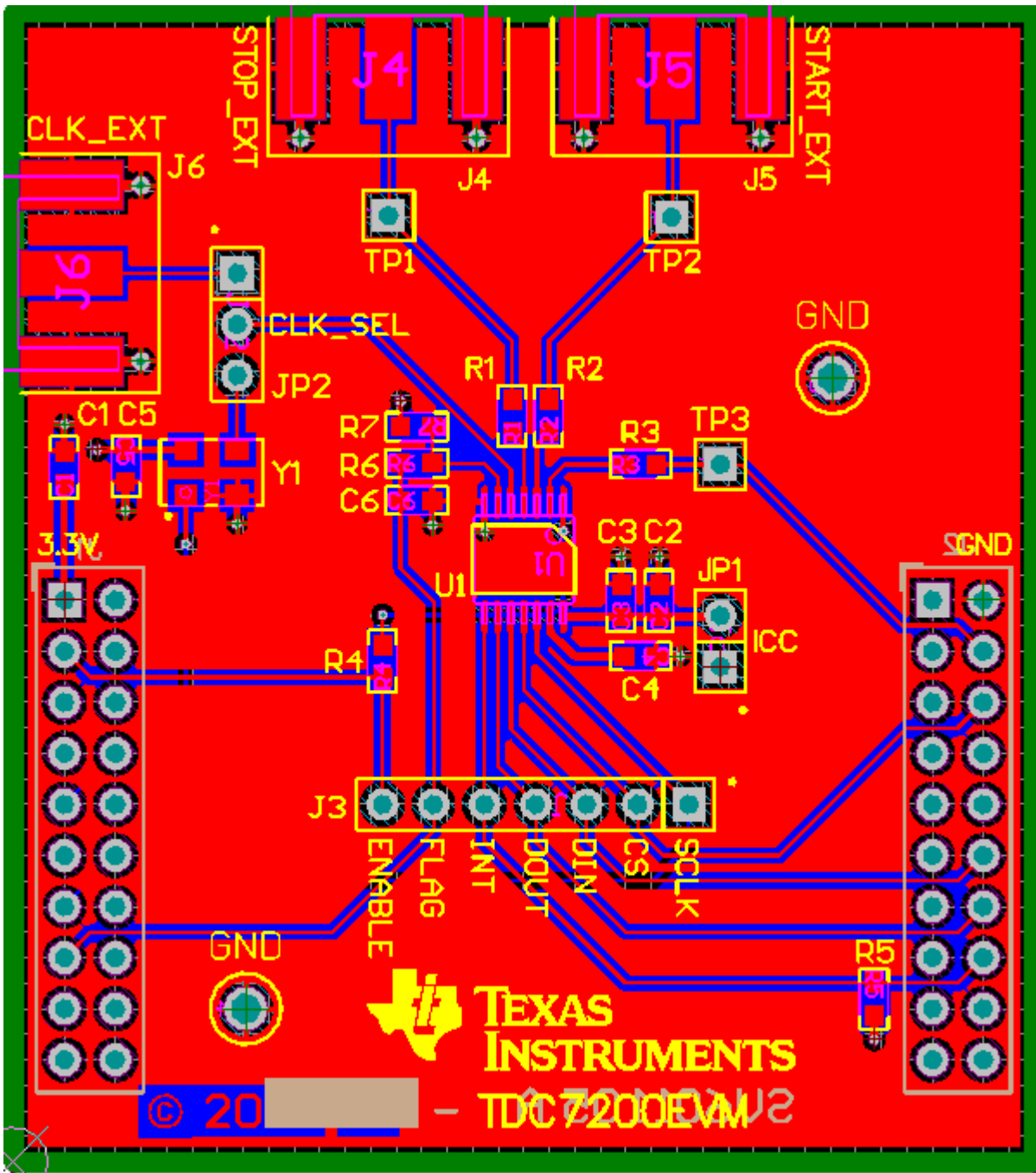


Figure 10. Top Assembly Layer

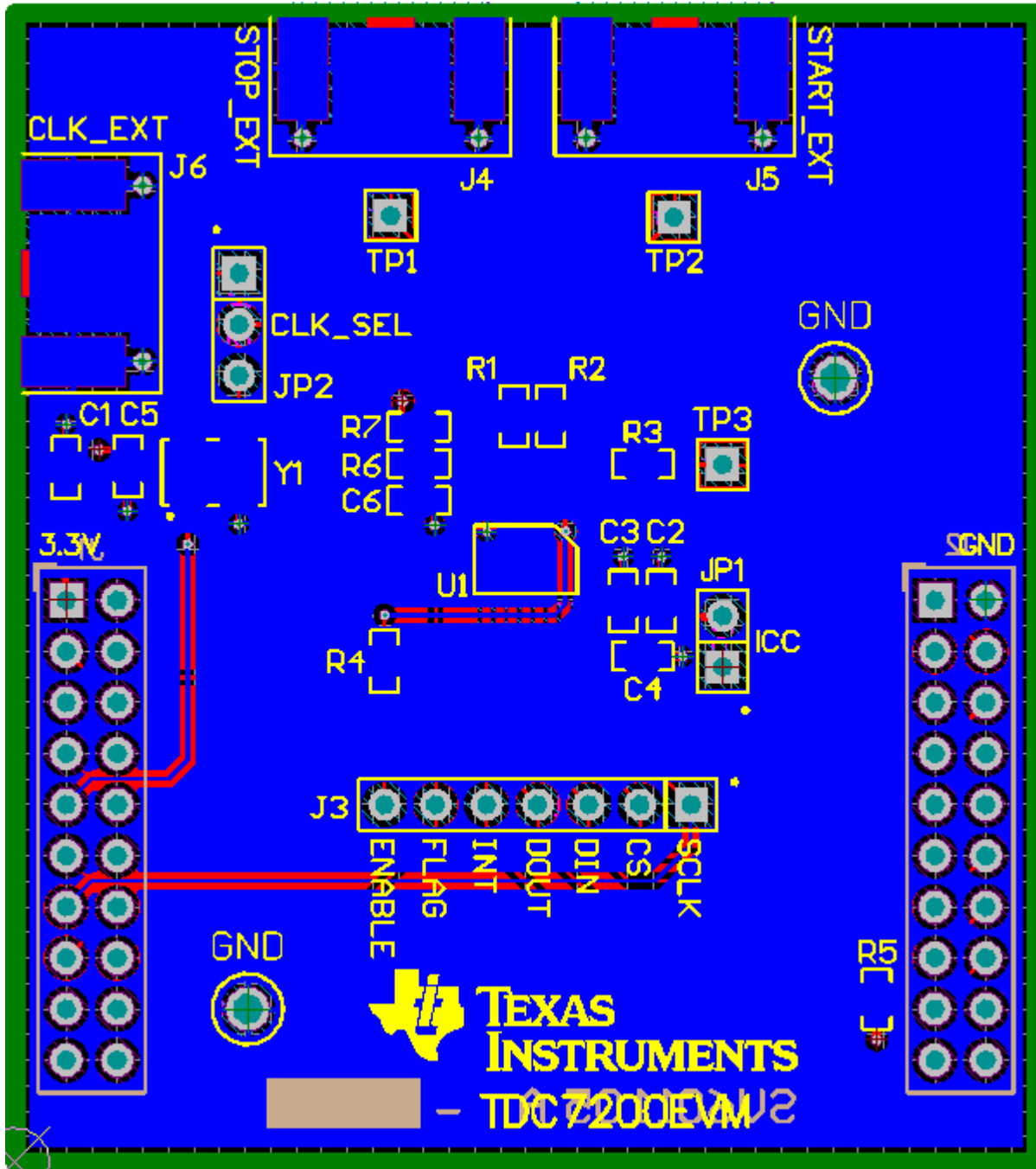


Figure 11. Bottom Layer

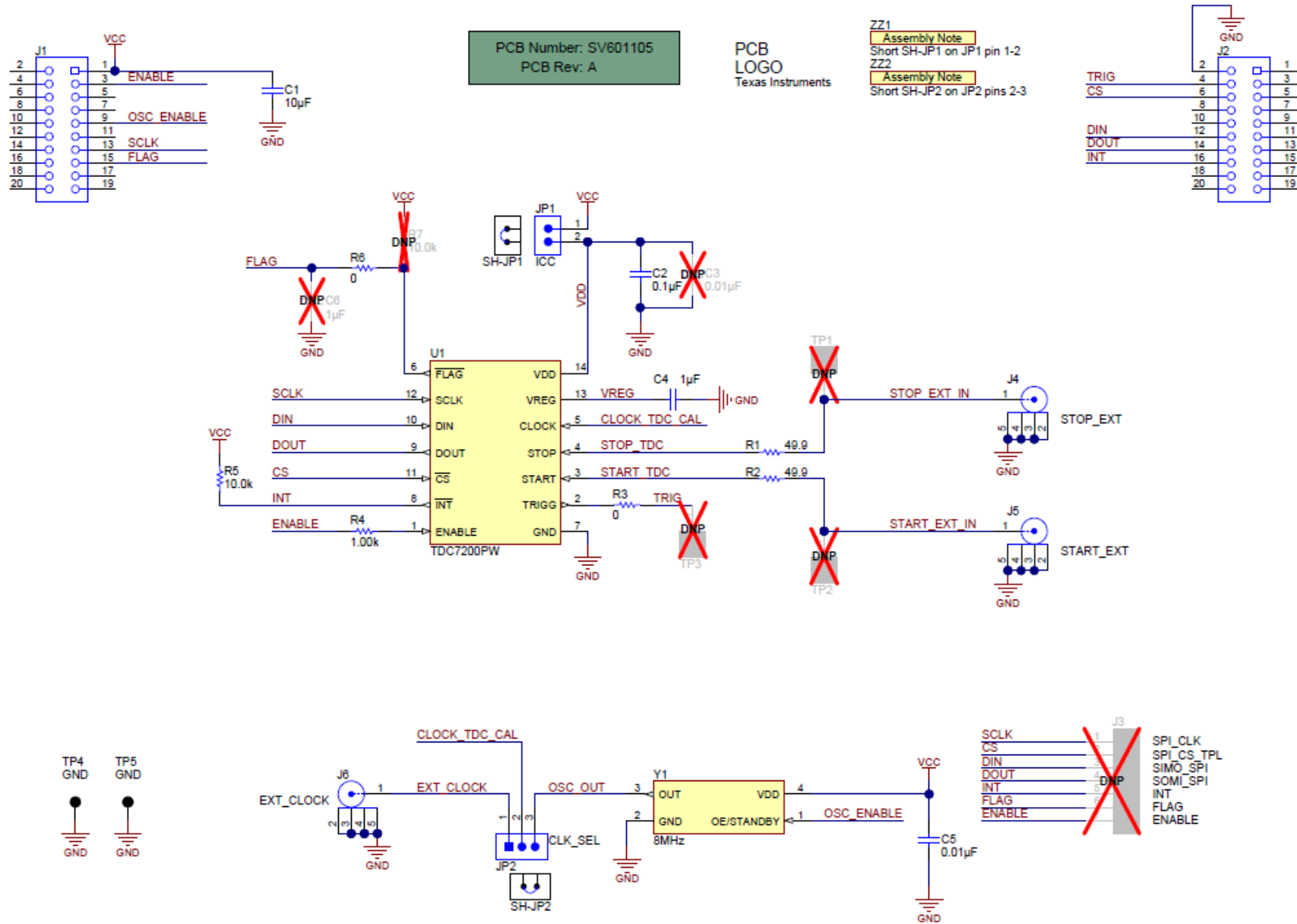


Figure 12. Schematic

9 Bill of Materials

Table 1. TDC7200 Bill of Materials

DESIGNATOR	QTY.	VALUE	DESCRIPTION	PACKAGE REFERENCE	PART NUMBER	MANUFACTURER
C1	1	10uF	CAP, CERM, 10uF, 6.3V, +/-20%, X5R, 0603	0603	C0603C106M9PACTU	Kemet
C2	1	0.1uF	CAP, CERM, 0.1uF, 16V, +/-5%, X7R, 0603	0603	0603YC104JAT2A	AVX
C4	1	1uF	CAP, CERM, 1uF, 16V, +/-10%, X7R, 0603	0603	EMK107B7105KA-T	Taiyo Yuden
C5	1	0.01uF	CAP, CERM, 0.01uF, 100V, +/-5%, X7R, 0603	0603	06031C103JAT2A	AVX
J1, J2	2		Receptacle, 10x2, 100mil, TH	10x2 Receptacle	PPPC102LFBN-RC	Sullins Connector Solutions
J4, J5, J6	3		Connector, End launch SMA, 50 ohm, SMT	End Launch SMA	142-0701-801	Johnson
JP1	1		Header, TH, 100mil, 2x1, Gold plated, 230 mil above insulator	2x1 Header	TSW-102-07-G-S	Samtec
JP2	1		Header, TH, 100mil, 3x1, Gold plated, 230 mil above insulator	3x1 Header	TSW-103-07-G-S	Samtec
R1, R2	2	49.9	RES, 49.9 ohm, 1%, 0.1W, 0603	0603	CRCW060349R9FKEA	Vishay-Dale
R3, R6	2	0	RES, 0 ohm, 5%, 0.1W, 0603	0603	CRCW0603000Z0EA	Vishay-Dale
R4	1	1.00k	RES, 1.00k ohm, 1%, 0.1W, 0603	0603	CRCW06031K00FKEA	Vishay-Dale
R5	1	10.0k	RES, 10.0k ohm, 1%, 0.1W, 0603	0603	CRCW060310K0FKEA	Vishay-Dale
SH-JP1, SH-JP2	2	1x2	Shunt, 100mil, Gold plated, Black	Shunt	969102-0000-DA	3M
TP4, TP5	2	Black	Test Point, Multipurpose, Black, TH	Black Multipurpose Testpoint	5011	Keystone
U1	1		STOPWATCH IC FOR TIME MEASUREMENT BETWEEN TWO EVENTS, PW0014A	PW0014A	TDC7200PW	Texas Instruments
Y1	1		OSC, 8MHz, 15pF, SMD	OSC, 3.2x.85x5mm	ASFLMB-8.000MHZ-LY-T	Abracorn Corporation
C3	0	0.01uF	CAP, CERM, 0.01uF, 100V, +/-5%, X7R, 0603	0603	06031C103JAT2A	AVX
C6	0	1uF	CAP, CERM, 1uF, 16V, +/-10%, X7R, 0603	0603	EMK107B7105KA-T	Taiyo Yuden
J3	0		Header, TH, 100mil, 7x1, Gold plated, 230 mil above insulator	7x1 Header	TSW-107-07-G-S	Samtec
R7	0	10.0k	RES, 10.0k ohm, 1%, 0.1W, 0603	0603	CRCW060310K0FKEA	Vishay-Dale
TP1, TP2, TP3	0		Header, TH, 100mil, 1pos, Gold plated, 230 mil above insulator	Testpoint	TSW-101-07-G-S	Samtec

STANDARD TERMS AND CONDITIONS FOR EVALUATION MODULES

1. *Delivery:* TI delivers TI evaluation boards, kits, or modules, including any accompanying demonstration software, components, or documentation (collectively, an "EVM" or "EVMs") to the User ("User") in accordance with the terms and conditions set forth herein. Acceptance of the EVM is expressly subject to the following terms and conditions.
 - 1.1 EVMs are intended solely for product or software developers for use in a research and development setting to facilitate feasibility evaluation, experimentation, or scientific analysis of TI semiconductors products. EVMs have no direct function and are not finished products. EVMs shall not be directly or indirectly assembled as a part or subassembly in any finished product. For clarification, any software or software tools provided with the EVM ("Software") shall not be subject to the terms and conditions set forth herein but rather shall be subject to the applicable terms and conditions that accompany such Software
 - 1.2 EVMs are not intended for consumer or household use. EVMs may not be sold, sublicensed, leased, rented, loaned, assigned, or otherwise distributed for commercial purposes by Users, in whole or in part, or used in any finished product or production system.
2. *Limited Warranty and Related Remedies/Disclaimers:*
 - 2.1 These terms and conditions do not apply to Software. The warranty, if any, for Software is covered in the applicable Software License Agreement.
 - 2.2 TI warrants that the TI EVM will conform to TI's published specifications for ninety (90) days after the date TI delivers such EVM to User. Notwithstanding the foregoing, TI shall not be liable for any defects that are caused by neglect, misuse or mistreatment by an entity other than TI, including improper installation or testing, or for any EVMs that have been altered or modified in any way by an entity other than TI. Moreover, TI shall not be liable for any defects that result from User's design, specifications or instructions for such EVMs. Testing and other quality control techniques are used to the extent TI deems necessary or as mandated by government requirements. TI does not test all parameters of each EVM.
 - 2.3 If any EVM fails to conform to the warranty set forth above, TI's sole liability shall be at its option to repair or replace such EVM, or credit User's account for such EVM. TI's liability under this warranty shall be limited to EVMs that are returned during the warranty period to the address designated by TI and that are determined by TI not to conform to such warranty. If TI elects to repair or replace such EVM, TI shall have a reasonable time to repair such EVM or provide replacements. Repaired EVMs shall be warranted for the remainder of the original warranty period. Replaced EVMs shall be warranted for a new full ninety (90) day warranty period.
3. *Regulatory Notices:*
 - 3.1 *United States*
 - 3.1.1 *Notice applicable to EVMs not FCC-Approved:*

This kit is designed to allow product developers to evaluate electronic components, circuitry, or software associated with the kit to determine whether to incorporate such items in a finished product and software developers to write software applications for use with the end product. This kit is not a finished product and when assembled may not be resold or otherwise marketed unless all required FCC equipment authorizations are first obtained. Operation is subject to the condition that this product not cause harmful interference to licensed radio stations and that this product accept harmful interference. Unless the assembled kit is designed to operate under part 15, part 18 or part 95 of this chapter, the operator of the kit must operate under the authority of an FCC license holder or must secure an experimental authorization under part 5 of this chapter.
 - 3.1.2 *For EVMs annotated as FCC – FEDERAL COMMUNICATIONS COMMISSION Part 15 Compliant:*

CAUTION

This device complies with part 15 of the FCC Rules. Operation is subject to the following two conditions: (1) This device may not cause harmful interference, and (2) this device must accept any interference received, including interference that may cause undesired operation.

Changes or modifications not expressly approved by the party responsible for compliance could void the user's authority to operate the equipment.

FCC Interference Statement for Class A EVM devices

NOTE: This equipment has been tested and found to comply with the limits for a Class A digital device, pursuant to part 15 of the FCC Rules. These limits are designed to provide reasonable protection against harmful interference when the equipment is operated in a commercial environment. This equipment generates, uses, and can radiate radio frequency energy and, if not installed and used in accordance with the instruction manual, may cause harmful interference to radio communications. Operation of this equipment in a residential area is likely to cause harmful interference in which case the user will be required to correct the interference at his own expense.

FCC Interference Statement for Class B EVM devices

NOTE: This equipment has been tested and found to comply with the limits for a Class B digital device, pursuant to part 15 of the FCC Rules. These limits are designed to provide reasonable protection against harmful interference in a residential installation. This equipment generates, uses and can radiate radio frequency energy and, if not installed and used in accordance with the instructions, may cause harmful interference to radio communications. However, there is no guarantee that interference will not occur in a particular installation. If this equipment does cause harmful interference to radio or television reception, which can be determined by turning the equipment off and on, the user is encouraged to try to correct the interference by one or more of the following measures:

- Reorient or relocate the receiving antenna.
- Increase the separation between the equipment and receiver.
- Connect the equipment into an outlet on a circuit different from that to which the receiver is connected.
- Consult the dealer or an experienced radio/TV technician for help.

3.2 Canada

3.2.1 For EVMs issued with an Industry Canada Certificate of Conformance to RSS-210

Concerning EVMs Including Radio Transmitters:

This device complies with Industry Canada license-exempt RSS standard(s). Operation is subject to the following two conditions: (1) this device may not cause interference, and (2) this device must accept any interference, including interference that may cause undesired operation of the device.

Concernant les EVMs avec appareils radio:

Le présent appareil est conforme aux CNR d'Industrie Canada applicables aux appareils radio exempts de licence. L'exploitation est autorisée aux deux conditions suivantes: (1) l'appareil ne doit pas produire de brouillage, et (2) l'utilisateur de l'appareil doit accepter tout brouillage radioélectrique subi, même si le brouillage est susceptible d'en compromettre le fonctionnement.

Concerning EVMs Including Detachable Antennas:

Under Industry Canada regulations, this radio transmitter may only operate using an antenna of a type and maximum (or lesser) gain approved for the transmitter by Industry Canada. To reduce potential radio interference to other users, the antenna type and its gain should be so chosen that the equivalent isotropically radiated power (e.i.r.p.) is not more than that necessary for successful communication. This radio transmitter has been approved by Industry Canada to operate with the antenna types listed in the user guide with the maximum permissible gain and required antenna impedance for each antenna type indicated. Antenna types not included in this list, having a gain greater than the maximum gain indicated for that type, are strictly prohibited for use with this device.

Concernant les EVMs avec antennes détachables

Conformément à la réglementation d'Industrie Canada, le présent émetteur radio peut fonctionner avec une antenne d'un type et d'un gain maximal (ou inférieur) approuvé pour l'émetteur par Industrie Canada. Dans le but de réduire les risques de brouillage radioélectrique à l'intention des autres utilisateurs, il faut choisir le type d'antenne et son gain de sorte que la puissance isotrope rayonnée équivalente (p.i.r.e.) ne dépasse pas l'intensité nécessaire à l'établissement d'une communication satisfaisante. Le présent émetteur radio a été approuvé par Industrie Canada pour fonctionner avec les types d'antenne énumérés dans le manuel d'usage et ayant un gain admissible maximal et l'impédance requise pour chaque type d'antenne. Les types d'antenne non inclus dans cette liste, ou dont le gain est supérieur au gain maximal indiqué, sont strictement interdits pour l'exploitation de l'émetteur.

3.3 Japan

3.3.1 *Notice for EVMs delivered in Japan:* Please see http://www.tij.co.jp/lstds/ti_ja/general/eStore/notice_01.page 日本国内に輸入される評価用キット、ボードについては、次のところをご覧ください。
http://www.tij.co.jp/lstds/ti_ja/general/eStore/notice_01.page

3.3.2 *Notice for Users of EVMs Considered "Radio Frequency Products" in Japan:* EVMs entering Japan are NOT certified by TI as conforming to Technical Regulations of Radio Law of Japan.

If User uses EVMs in Japan, User is required by Radio Law of Japan to follow the instructions below with respect to EVMs:

1. Use EVMs in a shielded room or any other test facility as defined in the notification #173 issued by Ministry of Internal Affairs and Communications on March 28, 2006, based on Sub-section 1.1 of Article 6 of the Ministry's Rule for Enforcement of Radio Law of Japan,
2. Use EVMs only after User obtains the license of Test Radio Station as provided in Radio Law of Japan with respect to EVMs, or
3. Use of EVMs only after User obtains the Technical Regulations Conformity Certification as provided in Radio Law of Japan with respect to EVMs. Also, do not transfer EVMs, unless User gives the same notice above to the transferee. Please note that if User does not follow the instructions above, User will be subject to penalties of Radio Law of Japan.

【無線電波を送信する製品の開発キットをお使いになる際の注意事項】

本開発キットは技術基準適合証明を受けておりません。

本製品のご使用に際しては、電波法遵守のため、以下のいずれかの措置を取っていただく必要がありますのでご注意ください。

1. 電波法施行規則第6条第1項第1号に基づく平成18年3月28日総務省告示第173号で定められた電波暗室等の試験設備でご使用いただく。
2. 実験局の免許を取得後ご使用いただく。
3. 技術基準適合証明を取得後ご使用いただく。

なお、本製品は、上記の「ご使用にあたっての注意」を譲渡先、移転先に通知しない限り、譲渡、移転できないものとします。

上記を遵守頂けない場合は、電波法の罰則が適用される可能性があることをご留意ください。

日本テキサス・インスツルメンツ株式会社

東京都新宿区西新宿 6 丁目 2 4 番 1 号

西新宿三井ビル

3.3.3 *Notice for EVMs for Power Line Communication:* Please see http://www.tij.co.jp/llds/ti_ja/general/eStore/notice_02.page

電力線搬送波通信についての開発キットをお使いになる際の注意事項については、次のところをご覧ください。http://www.tij.co.jp/llds/ti_ja/general/eStore/notice_02.page

4 *EVM Use Restrictions and Warnings:*

4.1 EVMS ARE NOT FOR USE IN FUNCTIONAL SAFETY AND/OR SAFETY CRITICAL EVALUATIONS, INCLUDING BUT NOT LIMITED TO EVALUATIONS OF LIFE SUPPORT APPLICATIONS.

4.2 User must read and apply the user guide and other available documentation provided by TI regarding the EVM prior to handling or using the EVM, including without limitation any warning or restriction notices. The notices contain important safety information related to, for example, temperatures and voltages.

4.3 *Safety-Related Warnings and Restrictions:*

4.3.1 User shall operate the EVM within TI's recommended specifications and environmental considerations stated in the user guide, other available documentation provided by TI, and any other applicable requirements and employ reasonable and customary safeguards. Exceeding the specified performance ratings and specifications (including but not limited to input and output voltage, current, power, and environmental ranges) for the EVM may cause personal injury or death, or property damage. If there are questions concerning performance ratings and specifications, User should contact a TI field representative prior to connecting interface electronics including input power and intended loads. Any loads applied outside of the specified output range may also result in unintended and/or inaccurate operation and/or possible permanent damage to the EVM and/or interface electronics. Please consult the EVM user guide prior to connecting any load to the EVM output. If there is uncertainty as to the load specification, please contact a TI field representative. During normal operation, even with the inputs and outputs kept within the specified allowable ranges, some circuit components may have elevated case temperatures. These components include but are not limited to linear regulators, switching transistors, pass transistors, current sense resistors, and heat sinks, which can be identified using the information in the associated documentation. When working with the EVM, please be aware that the EVM may become very warm.

4.3.2 EVMs are intended solely for use by technically qualified, professional electronics experts who are familiar with the dangers and application risks associated with handling electrical mechanical components, systems, and subsystems. User assumes all responsibility and liability for proper and safe handling and use of the EVM by User or its employees, affiliates, contractors or designees. User assumes all responsibility and liability to ensure that any interfaces (electronic and/or mechanical) between the EVM and any human body are designed with suitable isolation and means to safely limit accessible leakage currents to minimize the risk of electrical shock hazard. User assumes all responsibility and liability for any improper or unsafe handling or use of the EVM by User or its employees, affiliates, contractors or designees.

4.4 User assumes all responsibility and liability to determine whether the EVM is subject to any applicable international, federal, state, or local laws and regulations related to User's handling and use of the EVM and, if applicable, User assumes all responsibility and liability for compliance in all respects with such laws and regulations. User assumes all responsibility and liability for proper disposal and recycling of the EVM consistent with all applicable international, federal, state, and local requirements.

5. *Accuracy of Information:* To the extent TI provides information on the availability and function of EVMs, TI attempts to be as accurate as possible. However, TI does not warrant the accuracy of EVM descriptions, EVM availability or other information on its websites as accurate, complete, reliable, current, or error-free.

6. *Disclaimers:*
- 6.1 EXCEPT AS SET FORTH ABOVE, EVMS AND ANY WRITTEN DESIGN MATERIALS PROVIDED WITH THE EVM (AND THE DESIGN OF THE EVM ITSELF) ARE PROVIDED "AS IS" AND "WITH ALL FAULTS." TI DISCLAIMS ALL OTHER WARRANTIES, EXPRESS OR IMPLIED, REGARDING SUCH ITEMS, INCLUDING BUT NOT LIMITED TO ANY IMPLIED WARRANTIES OF MERCHANTABILITY OR FITNESS FOR A PARTICULAR PURPOSE OR NON-INFRINGEMENT OF ANY THIRD PARTY PATENTS, COPYRIGHTS, TRADE SECRETS OR OTHER INTELLECTUAL PROPERTY RIGHTS.
- 6.2 EXCEPT FOR THE LIMITED RIGHT TO USE THE EVM SET FORTH HEREIN, NOTHING IN THESE TERMS AND CONDITIONS SHALL BE CONSTRUED AS GRANTING OR CONFERRING ANY RIGHTS BY LICENSE, PATENT, OR ANY OTHER INDUSTRIAL OR INTELLECTUAL PROPERTY RIGHT OF TI, ITS SUPPLIERS/LICENSORS OR ANY OTHER THIRD PARTY, TO USE THE EVM IN ANY FINISHED END-USER OR READY-TO-USE FINAL PRODUCT, OR FOR ANY INVENTION, DISCOVERY OR IMPROVEMENT MADE, CONCEIVED OR ACQUIRED PRIOR TO OR AFTER DELIVERY OF THE EVM.
7. *USER'S INDEMNITY OBLIGATIONS AND REPRESENTATIONS.* USER WILL DEFEND, INDEMNIFY AND HOLD TI, ITS LICENSORS AND THEIR REPRESENTATIVES HARMLESS FROM AND AGAINST ANY AND ALL CLAIMS, DAMAGES, LOSSES, EXPENSES, COSTS AND LIABILITIES (COLLECTIVELY, "CLAIMS") ARISING OUT OF OR IN CONNECTION WITH ANY HANDLING OR USE OF THE EVM THAT IS NOT IN ACCORDANCE WITH THESE TERMS AND CONDITIONS. THIS OBLIGATION SHALL APPLY WHETHER CLAIMS ARISE UNDER STATUTE, REGULATION, OR THE LAW OF TORT, CONTRACT OR ANY OTHER LEGAL THEORY, AND EVEN IF THE EVM FAILS TO PERFORM AS DESCRIBED OR EXPECTED.
8. *Limitations on Damages and Liability:*
- 8.1 *General Limitations.* IN NO EVENT SHALL TI BE LIABLE FOR ANY SPECIAL, COLLATERAL, INDIRECT, PUNITIVE, INCIDENTAL, CONSEQUENTIAL, OR EXEMPLARY DAMAGES IN CONNECTION WITH OR ARISING OUT OF THESE TERMS AND CONDITIONS OR THE USE OF THE EVMS PROVIDED HEREUNDER, REGARDLESS OF WHETHER TI HAS BEEN ADVISED OF THE POSSIBILITY OF SUCH DAMAGES. EXCLUDED DAMAGES INCLUDE, BUT ARE NOT LIMITED TO, COST OF REMOVAL OR REINSTALLATION, ANCILLARY COSTS TO THE PROCUREMENT OF SUBSTITUTE GOODS OR SERVICES, RETESTING, OUTSIDE COMPUTER TIME, LABOR COSTS, LOSS OF GOODWILL, LOSS OF PROFITS, LOSS OF SAVINGS, LOSS OF USE, LOSS OF DATA, OR BUSINESS INTERRUPTION. NO CLAIM, SUIT OR ACTION SHALL BE BROUGHT AGAINST TI MORE THAN ONE YEAR AFTER THE RELATED CAUSE OF ACTION HAS OCCURRED.
- 8.2 *Specific Limitations.* IN NO EVENT SHALL TI'S AGGREGATE LIABILITY FROM ANY WARRANTY OR OTHER OBLIGATION ARISING OUT OF OR IN CONNECTION WITH THESE TERMS AND CONDITIONS, OR ANY USE OF ANY TI EVM PROVIDED HEREUNDER, EXCEED THE TOTAL AMOUNT PAID TO TI FOR THE PARTICULAR UNITS SOLD UNDER THESE TERMS AND CONDITIONS WITH RESPECT TO WHICH LOSSES OR DAMAGES ARE CLAIMED. THE EXISTENCE OF MORE THAN ONE CLAIM AGAINST THE PARTICULAR UNITS SOLD TO USER UNDER THESE TERMS AND CONDITIONS SHALL NOT ENLARGE OR EXTEND THIS LIMIT.
9. *Return Policy.* Except as otherwise provided, TI does not offer any refunds, returns, or exchanges. Furthermore, no return of EVM(s) will be accepted if the package has been opened and no return of the EVM(s) will be accepted if they are damaged or otherwise not in a resalable condition. If User feels it has been incorrectly charged for the EVM(s) it ordered or that delivery violates the applicable order, User should contact TI. All refunds will be made in full within thirty (30) working days from the return of the components(s), excluding any postage or packaging costs.
10. *Governing Law:* These terms and conditions shall be governed by and interpreted in accordance with the laws of the State of Texas, without reference to conflict-of-laws principles. User agrees that non-exclusive jurisdiction for any dispute arising out of or relating to these terms and conditions lies within courts located in the State of Texas and consents to venue in Dallas County, Texas. Notwithstanding the foregoing, any judgment may be enforced in any United States or foreign court, and TI may seek injunctive relief in any United States or foreign court.

Mailing Address: Texas Instruments, Post Office Box 655303, Dallas, Texas 75265
Copyright © 2015, Texas Instruments Incorporated

IMPORTANT NOTICE

Texas Instruments Incorporated and its subsidiaries (TI) reserve the right to make corrections, enhancements, improvements and other changes to its semiconductor products and services per JESD46, latest issue, and to discontinue any product or service per JESD48, latest issue. Buyers should obtain the latest relevant information before placing orders and should verify that such information is current and complete. All semiconductor products (also referred to herein as "components") are sold subject to TI's terms and conditions of sale supplied at the time of order acknowledgment.

TI warrants performance of its components to the specifications applicable at the time of sale, in accordance with the warranty in TI's terms and conditions of sale of semiconductor products. Testing and other quality control techniques are used to the extent TI deems necessary to support this warranty. Except where mandated by applicable law, testing of all parameters of each component is not necessarily performed.

TI assumes no liability for applications assistance or the design of Buyers' products. Buyers are responsible for their products and applications using TI components. To minimize the risks associated with Buyers' products and applications, Buyers should provide adequate design and operating safeguards.

TI does not warrant or represent that any license, either express or implied, is granted under any patent right, copyright, mask work right, or other intellectual property right relating to any combination, machine, or process in which TI components or services are used. Information published by TI regarding third-party products or services does not constitute a license to use such products or services or a warranty or endorsement thereof. Use of such information may require a license from a third party under the patents or other intellectual property of the third party, or a license from TI under the patents or other intellectual property of TI.

Reproduction of significant portions of TI information in TI data books or data sheets is permissible only if reproduction is without alteration and is accompanied by all associated warranties, conditions, limitations, and notices. TI is not responsible or liable for such altered documentation. Information of third parties may be subject to additional restrictions.

Resale of TI components or services with statements different from or beyond the parameters stated by TI for that component or service voids all express and any implied warranties for the associated TI component or service and is an unfair and deceptive business practice. TI is not responsible or liable for any such statements.

Buyer acknowledges and agrees that it is solely responsible for compliance with all legal, regulatory and safety-related requirements concerning its products, and any use of TI components in its applications, notwithstanding any applications-related information or support that may be provided by TI. Buyer represents and agrees that it has all the necessary expertise to create and implement safeguards which anticipate dangerous consequences of failures, monitor failures and their consequences, lessen the likelihood of failures that might cause harm and take appropriate remedial actions. Buyer will fully indemnify TI and its representatives against any damages arising out of the use of any TI components in safety-critical applications.

In some cases, TI components may be promoted specifically to facilitate safety-related applications. With such components, TI's goal is to help enable customers to design and create their own end-product solutions that meet applicable functional safety standards and requirements. Nonetheless, such components are subject to these terms.

No TI components are authorized for use in FDA Class III (or similar life-critical medical equipment) unless authorized officers of the parties have executed a special agreement specifically governing such use.

Only those TI components which TI has specifically designated as military grade or "enhanced plastic" are designed and intended for use in military/aerospace applications or environments. Buyer acknowledges and agrees that any military or aerospace use of TI components which have **not** been so designated is solely at the Buyer's risk, and that Buyer is solely responsible for compliance with all legal and regulatory requirements in connection with such use.

TI has specifically designated certain components as meeting ISO/TS16949 requirements, mainly for automotive use. In any case of use of non-designated products, TI will not be responsible for any failure to meet ISO/TS16949.

Products

Audio	www.ti.com/audio
Amplifiers	amplifier.ti.com
Data Converters	dataconverter.ti.com
DLP® Products	www.dlp.com
DSP	dsp.ti.com
Clocks and Timers	www.ti.com/clocks
Interface	interface.ti.com
Logic	logic.ti.com
Power Mgmt	power.ti.com
Microcontrollers	microcontroller.ti.com
RFID	www.ti-rfid.com
OMAP Applications Processors	www.ti.com/omap
Wireless Connectivity	www.ti.com/wirelessconnectivity

Applications

Automotive and Transportation	www.ti.com/automotive
Communications and Telecom	www.ti.com/communications
Computers and Peripherals	www.ti.com/computers
Consumer Electronics	www.ti.com/consumer-apps
Energy and Lighting	www.ti.com/energy
Industrial	www.ti.com/industrial
Medical	www.ti.com/medical
Security	www.ti.com/security
Space, Avionics and Defense	www.ti.com/space-avionics-defense
Video and Imaging	www.ti.com/video

TI E2E Community

e2e.ti.com