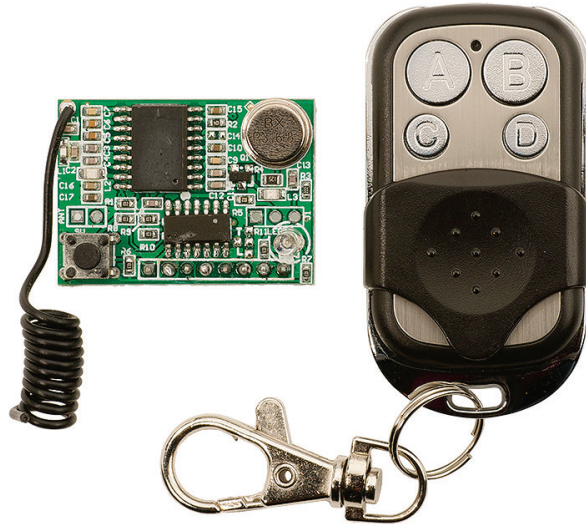


## Key Fob Remote (#700-10016)

The Key Fob Remote is a simple device that lets you control four outputs on the included Receiver PCB. Just press a button on the Remote to make the corresponding output pins on the Receiver PCB send a 5 V high signal.



### Features

- 4 channel control
- Signal indicator LED
- Remote and Receiver PCB are pre-synchronized
- ~50 foot range
- Source 40 mA per Receiver channel @ 5 VDC for your projects
- Pre-installed battery in the remote

### Key Specifications

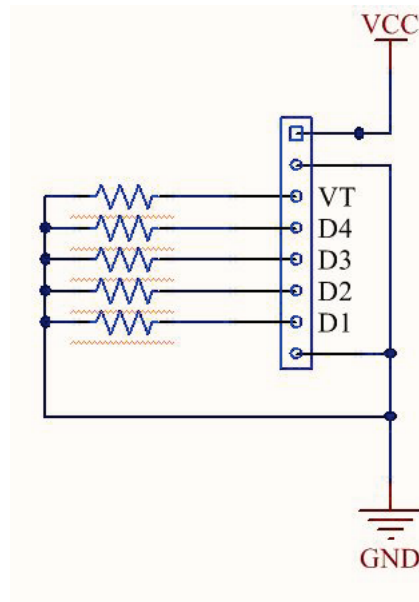
- Receiver PCB Power Requirements: 5 VDC
- Communication Interface: 433 MHz RF, via key chain remote
- Operating temperature: -4 to +158 °F (-20 to +70 °C)
- Receiver PCB dimensions: 1.34 x 0.96 in (3.40 x 2.44 cm)

### Application Ideas

- Keyless access
- Remote digital controller
- Wireless lighting control

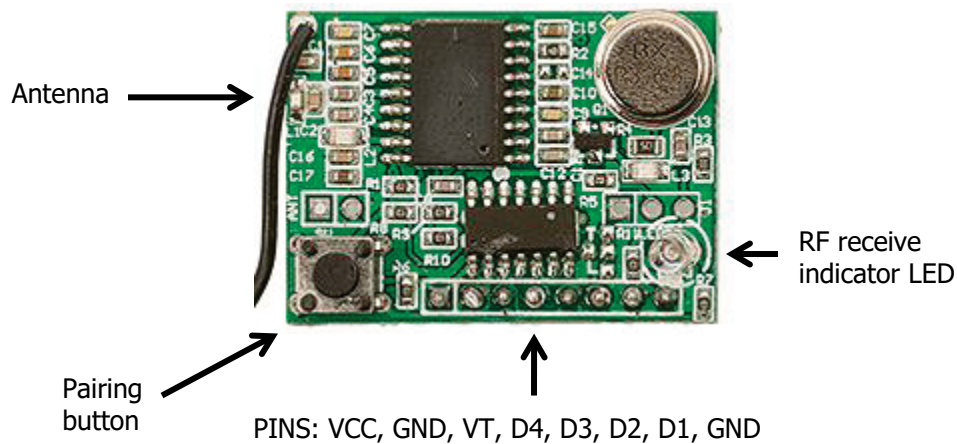
## Connection Diagram

The representation below shows a typical interface to the Key Fob Receiver Board. Resistors indicate your added devices (e.g. microcontroller I/O pin, relay, etc...).



## Receiver Board

The receiver board only needs 5 VDC on the VCC pin. Once it is powered up, you are ready to connect "VT" or any of the "D" pins to your project.



The Receiver Board has a pre-soldered antenna in "ANT2". You can uncoil the antenna to help increase the range. Typical range is ~50 feet, line-of-sight. To add even more range to the receiver you can add your own antenna to "ANT1" on the receiver board.

## Key Chain Remote

The Key Chain Remote has four buttons. The large buttons are labeled A and B; the smaller buttons are labeled C and D. The table below shows which pins on the Receiver Board that become active "high" (5 VDC @ 40 mA) when its corresponding button is pressed. When a button is released, its pin goes back to a "low" state.



| Key Chain Button | Receiver Board Pins |
|------------------|---------------------|
| "A"              | VT & D1             |
| "B"              | VT & D2             |
| "C"              | VT & D3             |
| "D"              | VT & D4             |

## Adding Additional Remotes

The Remote and Receiver PCB are pre-synchronized. You can synchronize the PCB with additional keychain remotes by pressing and holding down the PCB's "pairing button" while pressing any of the buttons on the Remote you want to add.

## Changing the Remote's Battery

The remote uses one size 27A, 12 V alkaline battery. The remote comes with the battery pre-installed, and it may be replaced if needed. To access the battery compartment, remove the three tiny Phillips-head screws on the back of the remote, and remove the back cover.

## Revision History

### Version 1.1

Documentation updated to correct for range and other specifications adjustments.