

Target Board S3A6 (TB-S3A6)

User's Manual

Renesas Synergy™ Platform
Synergy Tools & Kits
Kits: TB-S3A6 v1.0

All information contained in these materials, including products and product specifications, represents information on the product at the time of publication and is subject to change by Renesas Electronics Corp. without notice. Please review the latest information published by Renesas Electronics Corp. through various means, including the Renesas Electronics Corp. website (<http://www.renesas.com>).

Notice

1. Descriptions of circuits, software and other related information in this document are provided only to illustrate the operation of semiconductor products and application examples. You are fully responsible for the incorporation or any other use of the circuits, software, and information in the design of your product or system. Renesas Electronics disclaims any and all liability for any losses and damages incurred by you or third parties arising from the use of these circuits, software, or information.
2. Renesas Electronics hereby expressly disclaims any warranties against and liability for infringement or any other disputes involving patents, copyrights, or other intellectual property rights of third parties, by or arising from the use of Renesas Electronics products or technical information described in this document, including but not limited to, the product data, drawing, chart, program, algorithm, application examples.
3. No license, express, implied or otherwise, is granted hereby under any patents, copyrights or other intellectual property rights of Renesas Electronics or others.
4. You shall not alter, modify, copy, or otherwise misappropriate any Renesas Electronics product, whether in whole or in part. Renesas Electronics disclaims any and all liability for any losses or damages incurred by you or third parties arising from such alteration, modification, copy or otherwise misappropriation of Renesas Electronics products.
5. Renesas Electronics products are classified according to the following two quality grades: "Standard" and "High Quality". The intended applications for each Renesas Electronics product depends on the product's quality grade, as indicated below.
"Standard": Computers; office equipment; communications equipment; test and measurement equipment; audio and visual equipment; home electronic appliances; machine tools; personal electronic equipment; and industrial robots etc.
"High Quality": Transportation equipment (automobiles, trains, ships, etc.); traffic control (traffic lights); large-scale communication equipment; key financial terminal systems; safety control equipment; etc.

Renesas Electronics products are neither intended nor authorized for use in products or systems that may pose a direct threat to human life or bodily injury (artificial life support devices or systems, surgical implantations etc.), or may cause serious property damages (space and undersea repeaters; nuclear power control systems; aircraft control systems; key plant systems; military equipment; etc.). Renesas Electronics disclaims any and all liability for any damages or losses incurred by you or third parties arising from the use of any Renesas Electronics product for which the product is not intended by Renesas Electronics.

6. When using the Renesas Electronics products, refer to the latest product information (data sheets, user's manuals, application notes, "General Notes for Handling and Using Semiconductor Devices" in the reliability handbook, etc.), and ensure that usage conditions are within the ranges specified by Renesas Electronics with respect to maximum ratings, operating power supply voltage range, heat radiation characteristics, installation, etc. Renesas Electronics disclaims any and all liability for any malfunctions or failure or accident arising out of the use of Renesas Electronics products beyond such specified ranges.
7. Although Renesas Electronics endeavors to improve the quality and reliability of Renesas Electronics products, semiconductor products have specific characteristics such as the occurrence of failure at a certain rate and malfunctions under certain use conditions. Further, Renesas Electronics products are not subject to radiation resistance design. Please ensure to implement safety measures to guard them against the possibility of bodily injury, injury or damage caused by fire, and social damage in the event of failure or malfunction of Renesas Electronics products, such as safety design for hardware and software including but not limited to redundancy, fire control and malfunction prevention, appropriate treatment for aging degradation or any other appropriate measures by your own responsibility as warranty for your products/system. Because the evaluation of microcomputer software alone is very difficult and not practical, please evaluate the safety of the final products or systems manufactured by you.
8. Please contact a Renesas Electronics sales office for details as to environmental matters such as the environmental compatibility of each Renesas Electronics product. Please investigate applicable laws and regulations that regulate the inclusion or use of controlled substances, including without limitation, the EU RoHS Directive carefully and sufficiently and use Renesas Electronics products in compliance with all these applicable laws and regulations. Renesas Electronics disclaims any and all liability for damages or losses occurring as a result of your noncompliance with applicable laws and regulations.
9. Renesas Electronics products and technologies shall not be used for or incorporated into any products or systems whose manufacture, use, or sale is prohibited under any applicable domestic or foreign laws or regulations. You shall not use Renesas Electronics products or technologies for (1) any purpose relating to the development, design, manufacture, use, stockpiling, etc., of weapons of mass destruction, such as nuclear weapons, chemical weapons, or biological weapons, or missiles (including unmanned aerial vehicles (UAVs)) for delivering such weapons, (2) any purpose relating to the development, design, manufacture, or use of conventional weapons, or (3) any other purpose of disturbing international peace and security, and you shall not sell, export, lease, transfer, or release Renesas Electronics products or technologies to any third party whether directly or indirectly with knowledge or reason to know that the third party or any other party will engage in the activities described above. When exporting, selling, transferring, etc., Renesas Electronics products or technologies, you shall comply with any applicable export control laws and regulations promulgated and administered by the governments of the countries asserting jurisdiction over the parties or transactions.
10. Please acknowledge and agree that you shall bear all the losses and damages which are incurred from the misuse or violation of the terms and conditions described in this document, including this notice, and hold Renesas Electronics harmless, if such misuse or violation results from your resale or making Renesas Electronics products available any third party.
11. This document shall not be reprinted, reproduced or duplicated in any form, in whole or in part, without prior written consent of Renesas Electronics.
12. Please contact a Renesas Electronics sales office if you have any questions regarding the information contained in this document or Renesas Electronics products.

(Note 1) "Renesas Electronics" as used in this document means Renesas Electronics Corporation and also includes its majority-owned subsidiaries.

(Note 2) "Renesas Electronics product(s)" means any product developed or manufactured by or for Renesas Electronics.

Renesas Synergy™ Target Board Kit TB-S3A6 Disclaimer

By using this TB-S3A6, the user accepts the following terms, which are in addition to, and control in the event of disagreement, with Renesas' General Terms and Conditions available at <https://www.renesas.com/en-us/legal/disclaimer.html>.

The TB-S3A6 is not guaranteed to be error free, and the entire risk as to the results and performance of the TB-S3A6 is assumed by the User. The TB-S3A6 is provided by Renesas on an "as is" basis without warranty of any kind whether express or implied, including but not limited to the implied warranties of satisfactory quality, fitness for a particular purpose, title, and non-infringement of intellectual property rights with regard to the TB-S3A6. Renesas expressly disclaims all such warranties.

Renesas does not consider the TB-S3A6 a finished product and therefore the TB-S3A6 may not yet comply with some requirements applicable to finished products, including, but not limited to recycling (WEEE), CE, UL, restricted substances (ROHS), FCC, FEE, and electromagnetic compatibility regulations. Renesas or its affiliates shall in no event be liable for any loss of profit, loss of data, loss of contract, loss of business, damage to reputation or goodwill, any economic loss, any reprogramming or recall costs (whether the foregoing losses are direct or indirect) nor shall Renesas or its affiliates be liable for any other direct or indirect special, incidental or consequential damages arising out of or in relation to the use of this TB-S3A6, even if Renesas or its affiliates have been advised of the possibility of such damages.

Renesas has used reasonable care in preparing the information included in this document, but Renesas does not warrant that such information is error free nor does Renesas guarantee an exact match for every application or parameter to part numbers designated by other vendors listed herein. The information provided in this document is intended solely to enable the use of Renesas products. No express or implied license to any intellectual property right is granted by this document or in connection with the sale of Renesas products. Renesas reserves the right to make changes to specifications and product descriptions at any time without notice. Renesas assumes no liability for any damages incurred by you resulting from errors in or omissions from the information included herein. Renesas cannot verify, and assumes no liability for, the accuracy of information available on another company's website.

Precautions

This Renesas Synergy™ Target Board is only intended for use in a laboratory environment under ambient temperature and humidity conditions. A safe separation distance should be used between this and any sensitive equipment. Its use outside the laboratory, classroom, study area, or similar such area invalidates conformity with the protection requirements of the Electromagnetic Compatibility Directive and could lead to prosecution.

The product generates, uses, and can radiate radio frequency energy and may cause harmful interference to radio communications. - There is no guarantee that interference will not occur in a particular installation. If this equipment causes harmful interference to radio or television reception, which can be determined by turning the equipment off or on, you are encouraged to try to correct the interference by one or more of the following measures:

- Ensure attached cables do not lie across the equipment.
- Reorient the receiving antenna.
- Increase the distance between the equipment and the receiver.
- Connect the equipment into an outlet on a circuit different from that which the receiver is connected.
- Power down the equipment when not in use.
- Consult the dealer or an experienced radio/TV technician for help.

Note: It is recommended that wherever possible shielded interface cables are used.

The product is potentially susceptible to certain EMC phenomena. To mitigate against them it is recommended that the following measures be undertaken:

- The user is advised that mobile phones should not be used within 10 m of the product when in use.
- The user is advised to take ESD precautions when handling the equipment.

The Renesas Synergy™ Target Board does not represent an ideal reference design for an end product and does not fulfill the regulatory standards for an end product.

1. Overview

The Target Board S3A6 (TB-S3A6) is a development kit for the Renesas Synergy™ S3A6 Microcontroller in an LQFP100 package. TB-S3A6 is designed to help developers get started with initial firmware development and evaluation of the S3A6 MCU Group.

Renesas Synergy™ S3A6 Microcontroller

- R7FS3A6783A01CFP
- 100-pin Quad Flat Pack package
- 48 MHz Arm® Cortex® M4 core with FPU
- 32 KB SRAM
- 256 KB code flash memory
- 8 KB data flash memory

Connectivity

- A Device USB connector for the Main MCU
- Segger J-Link® On-Board interface for debugging and programming of the S3A6 MCU. A 10-pin JTAG/SWD interface is also provided for connecting optional external debuggers and programmers.
- Two PMOD connectors, allowing use of appropriate PMOD compliant peripheral plug-in modules for rapid prototyping
- Pin headers for access to power and signals for the Main MCU

Multiple clock sources

- Main MCU oscillator crystals, providing precision 12.000 MHz and 32,768 Hz reference clocks
- Additional low-precision clocks are available internal to the Main MCU

MCU reset push button switch

MCU boot configuration jumper

General purpose I/O ports

- One jumper to allow measuring Main MCU current
- Copper jumpers on PCB bottom side for configuration and access to a selected MCU signals

Operating voltage

- External 5V input through the Debug USB connector supplies the on-board power regulator to power the Target Board logic and interfaces. Alternatively, 5V or 3.3V may be supplied through alternate locations on the Target Board.

Other features

- A two-color board status LED indicating availability of regulated power and connection status of the J-Link interface
- A red User LED, controlled by the Main MCU firmware
- A User Push-Button switch, User Capacitive Touch sensor (button), and an optional User Potentiometer, all of which are controlled by the Main MCU firmware

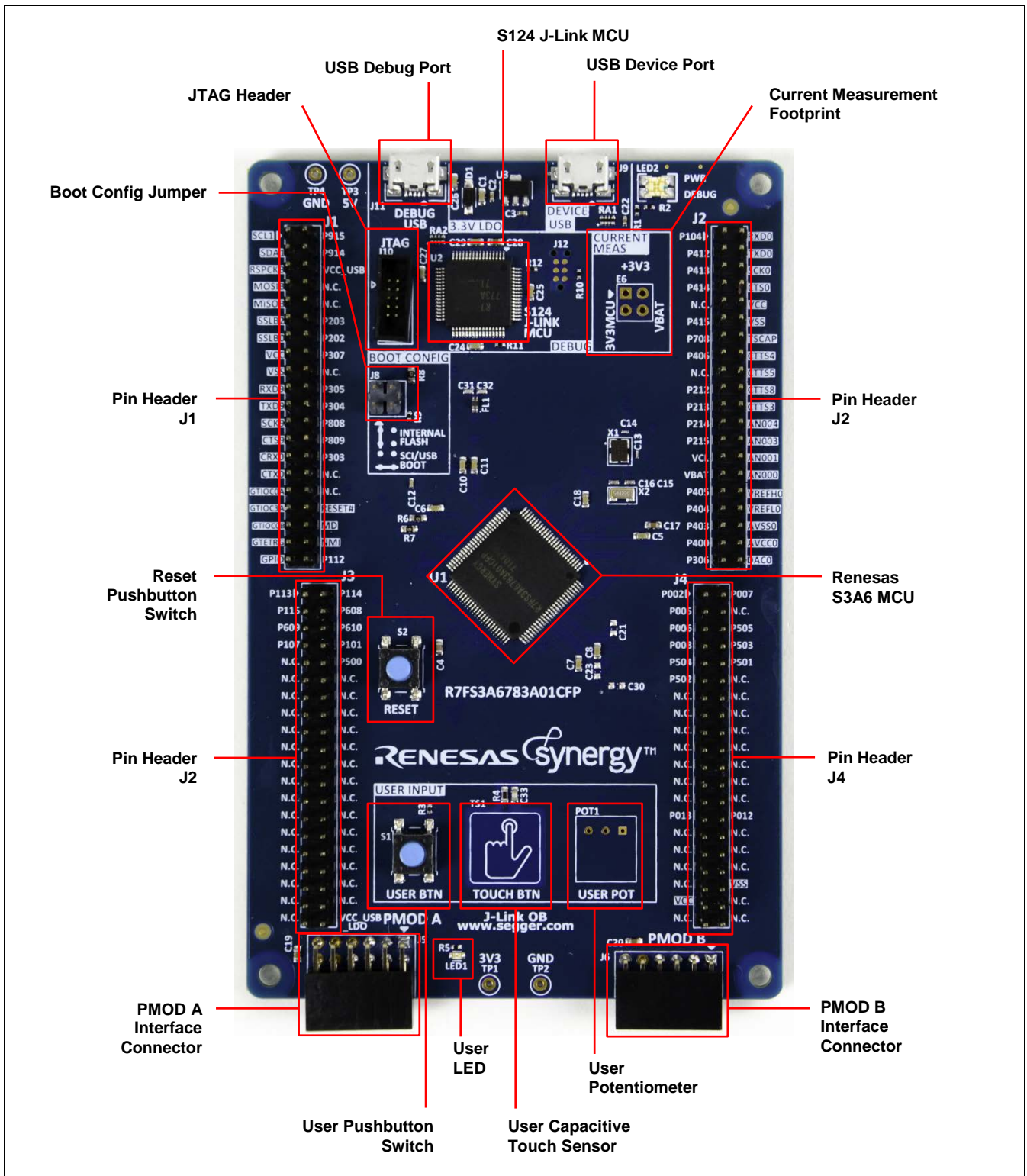


Figure 1 TB-S3A6 top side

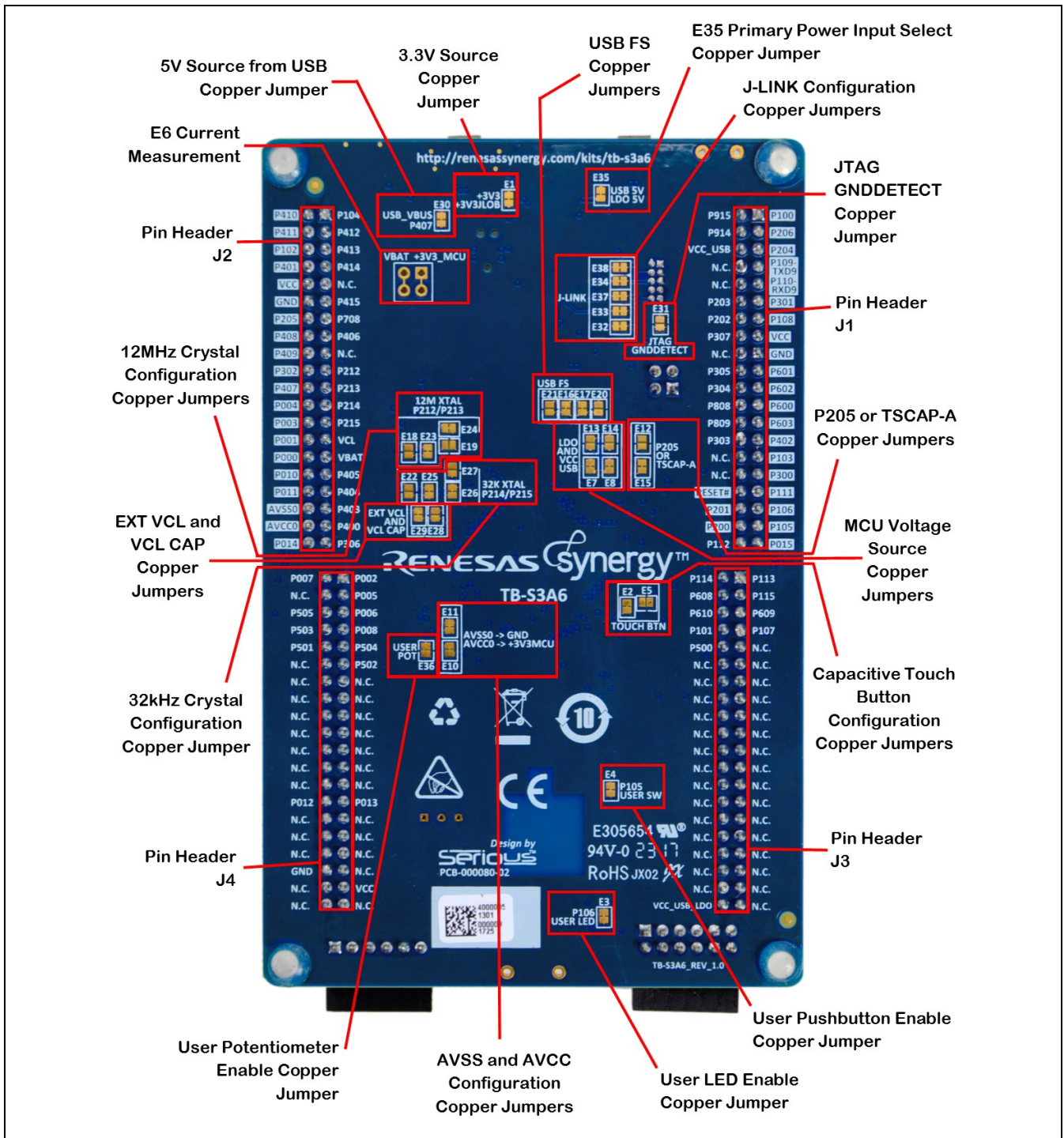


Figure 2 TB-S3A6 bottom side

2. What's in the box

The following components are included in the kit:

- TB-S3A6 board
- One USB Type-A to Micro-B cable

3. Getting Started

Before you start working with your kit, you need to obtain the latest version of the Synergy™ Software Package (SSP) and the Renesas Synergy™ Tools & Kits for the development of your TB-S3A6 board.

If you are new to the Renesas Synergy™ Platform development, we encourage you at this point to visit our *Getting Started Guide* on our website. This guide will provide detailed instructions on how to register an account on the Renesas Synergy™ Gallery to obtain a developer's license, and how to download and install all the software and tools that are required. Once you have completed these steps, please return to this section for more in-depth information on how to work with your board.

[How to register for an account on the Synergy Gallery](#)

[How to download & install the necessary development tools](#)

3.1 Jumpers and DIP switch settings

3.1.1 Copper jumpers

There are two types of Copper Jumpers, designated **trace-cut** and **solder-bridge**.

A **trace-cut jumper** is provided with a narrow copper trace connecting its pads. The silk screen overlay printing around a trace-cut jumper is a solid box. To isolate the pads, cut the trace between pads adjacent to each pad then remove the connecting copper foil either mechanically or with the assistance of heat. Once the etched copper trace is removed, the trace-cut jumper is turned into a solder-bridge jumper for any later changes.

A **solder-bridge jumper** is provided with two isolated pads that may be joined together by one of three methods:

- Solder may be applied to both pads to develop a bulge on each and the bulges joined by touching a soldering iron across the two pads.
- A small wire may be placed across the two pads and soldered in place.
- A SMT resistor, size 0805, 0603, or 0402, may be placed across the two pads and soldered in place. A zero-Ohm resistor shorts the pads together.

The silk screen overlay printing around a solder-bridge jumper is a box with a gap in the lines adjacent to the isolation region between the pads.

For any copper jumper, the connection is considered **closed** if there is an electrical connection between the pads (default for trace-cut jumpers.) The connection is considered **open** if there is no electrical connection between the pads (default for the solder-bridge jumpers.)

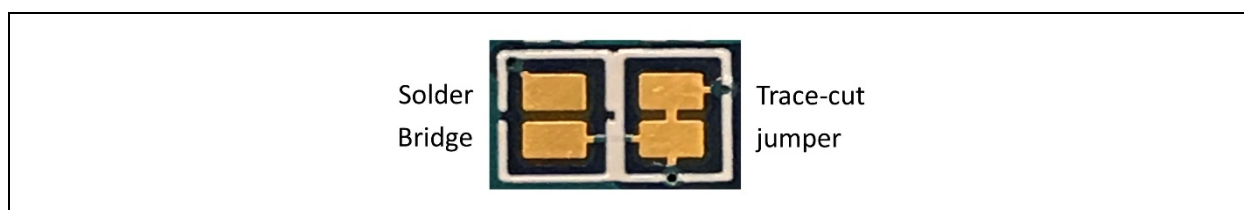


Figure 3 Copper jumpers

3.1.2 Default board configuration

The following table describes the default settings for each jumper on the TB-S3A6 Target Board. This includes traditional pin jumpers (Jx designation) and copper jumpers (Ex designation.)

The Circuit Group for each jumper is the designation found in the board schematic (See Section 5, Electrical Schematics). Functional details for many of the listed jumpers may be found in Section 4.4, Connectivity and settings and Section 4.6, Additional features.

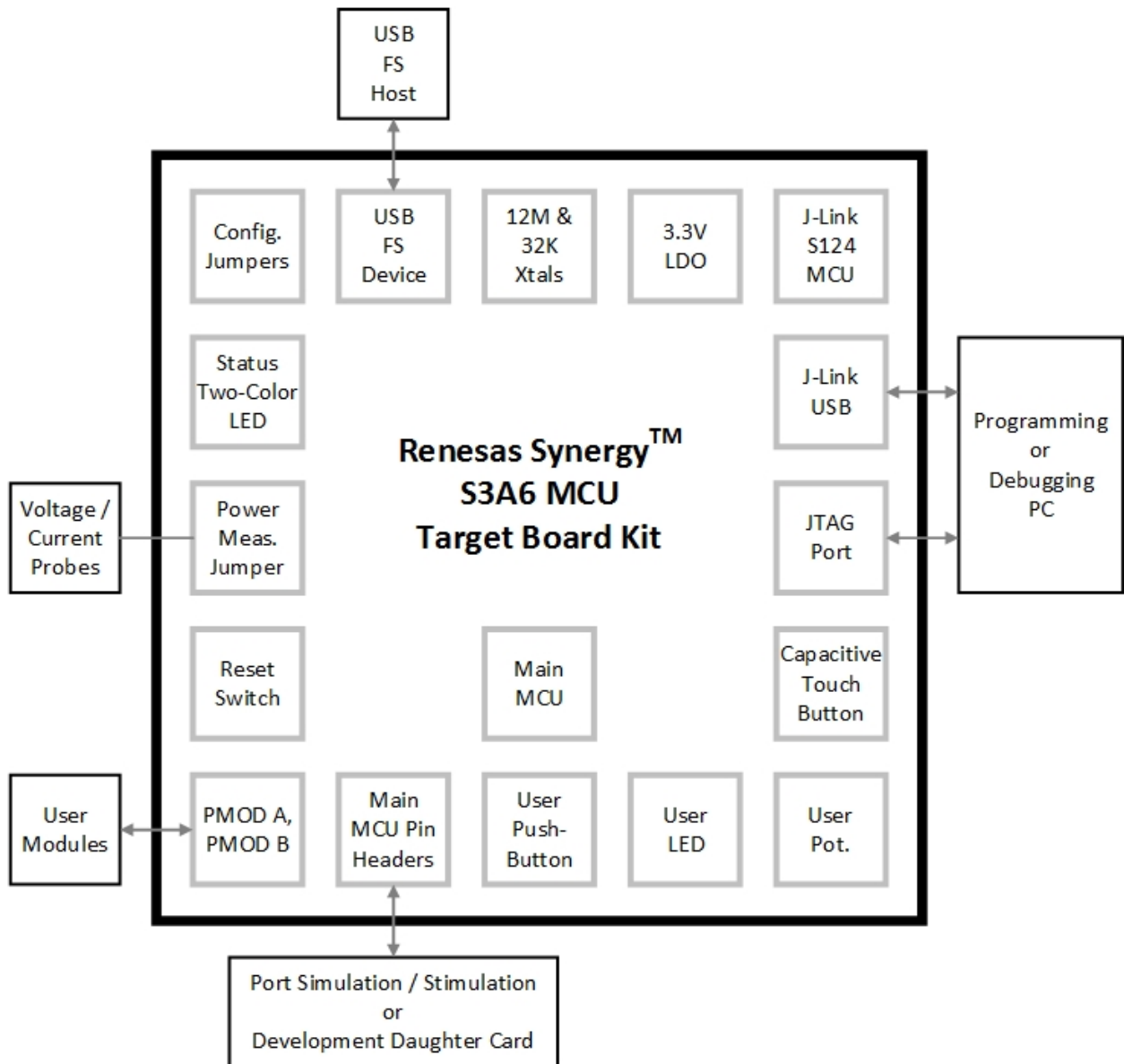
Table 1 Default jumper settings

Location	Circuit Group	Default Open/Closed	Function
J8	MCU Mode Config	Shunt on pins 1-2	Sets the MCU Mode to boot from Internal Flash
E18	12M Crystal	Open	Connects signal P213 to MCU
E19		Open	Connects signal P212 to MCU
E23		Closed	Connects 12.000 MHz Crystal to MCU
E24		Closed	Connects 12.000 MHz Crystal to MCU
E1	3.3V Linear Regulator	Closed	Alternate 3.3V source (+3V3JLOB)
E22	32K Crystal	Open	Connects signal P215 to MCU
E25		Closed	Connects 32.768 kHz Crystal to MCU
E26		Closed	Connects 32.768 kHz Crystal to MCU
E27		Open	Connects signal P214 to MCU
E10	AVCC0->+3V3MCU	Closed	Connects +3V3MCU to AVCC0
E11	AVSS0->GND	Closed	Connects AVSS0 to Ground
E2	Capacitive Touch Button	Closed	Enable/Disable Capacitive Touch Button
E5		Open	Connects signal P115J to Capacitive Touch Button
E28	EXT VCL and VCL CAP	Open	Connects VCL to MCU
E29		Closed	Connects MCU pin 15 (VCL) to capacitor
E32	J-Link	Closed	Connects the S124 MCU to the J-Link signal JLED
E33		Closed	Connects the S124 MCU to the J-Link signal RESET#
E34		Closed	Connects the S124 MCU to the J-Link signal TDO(/SWO) P109
E37		Closed	Connects the S124 MCU to the J-Link signal P108/SWDIO
E38		Closed	Connects the S124 MCU to the J-Link signal P300/SWCLK
E35	J-Link OB USB	Closed	Connects the J-Link OB USB 5V input to the primary 5V->3.3V voltage regulator
E31	JTAG Connector	Open	JTAG Ground Detect. Connects the JTAG connector pin 9 to Ground.
E13	LDO and VCC USB	Open	Connects VCC_USB_LDO to MCU pin 41
E14		Open	Connects VCC_USB_LDO to MCU pin 40
E7		Closed	Connects +3V3MCU to MCU pin 41
E8		Closed	Connects +3V3MCU to MCU pin 40
E12	P205 or TSCAP-A	Open	Connects MCU pin 43 to signal P205
E15		Closed	Connects MCU pin 43 to capacitor

Location	Circuit Group	Default Open/Closed	Function
E30	USB Device Interface	Closed	Connects the Device USB 5V input to the MCU
E16	USB FS	Closed	Connects MCU pin 38 to signal USB_N
E17		Closed	Connects MCU pin 39 to signal USB_P
E20		Open	Connects MCU pin 39 to signal USBPH_P
E21		Open	Connects MCU pin 38 to signal USBPH_N
E3	User LED	Closed	Enable/Disable User LED
E36	User Potentiometer	Open	Enable/Disable User Potentiometer
E4	User Push-Button	Closed	Enable/Disable User Push-Button switch
E6	VBAT +3V3_MCU	Closed	Dual Jumper. Pins 1-3 connect +3V3 to +3V3MCU. Pins 2-4 connect +3V3 to VBAT.

4. Hardware Layout

4.1 System block diagram



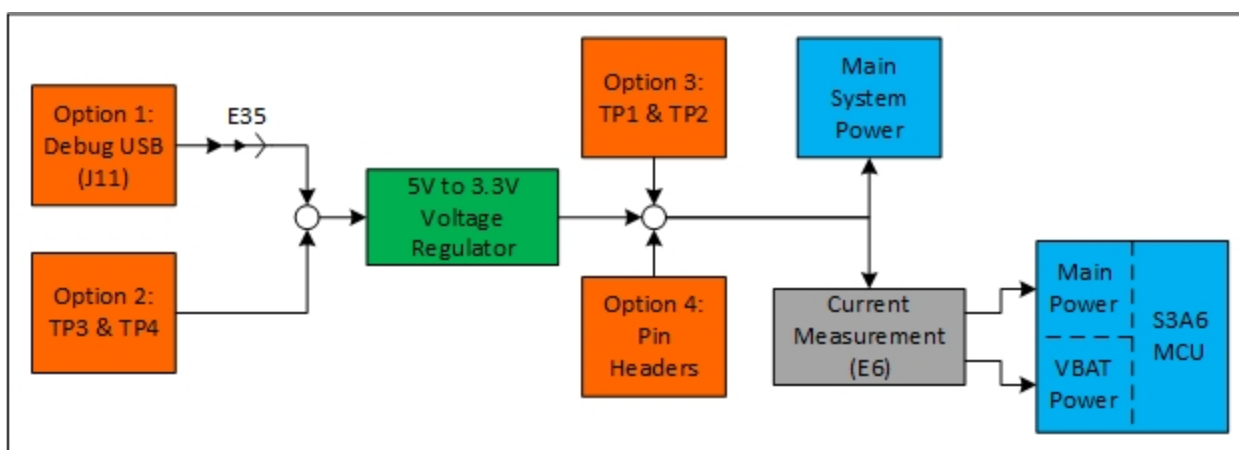
4.2 Power requirements

TB-S3A6 is designed for 3.3 Volt operation. Note that this also means that 5V PMOD devices cannot be used together with the TB-S3A6 unless they are powered separately.

The total current available from the LDO regulator for all connected circuits is 0.600A or less, depending the 5V power source used.

4.2.1 Power supply options

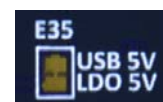
TB-S3A6 can be powered via several different methods:



Option 1: Debug USB (Default)

The default power source is 5V supplied from an external USB host to the USB Debug connector labelled **DEBUG USB** on the top surface of the board. A low drop-out regulator (LDO) is used to convert the 5V signal to 3.3V, which then is used to power the MCU and any connected devices.

The Copper Jumper E35 selects the source for the primary power input to the LDO regulator. By default, this jumper is configured to provide power through the Debug USB connector. The Copper Jumper E35 is closed for this configuration.



Option 2: Test Points TP3 and TP4

The TB-S3A6 can also be powered by installing a 5V power source across TP3 (positive input) and TP4 (negative input). The Copper Jumper E35 must be opened to enable powering the board using these test points.



The on-board Low Dropout Regulator (see Section 4.3, Major components) has an input voltage range of +3.3V to +5.5V, and a built-in current limit of 600 mA. Make sure any external power source connected to TP3 and TP4 meets these requirements.

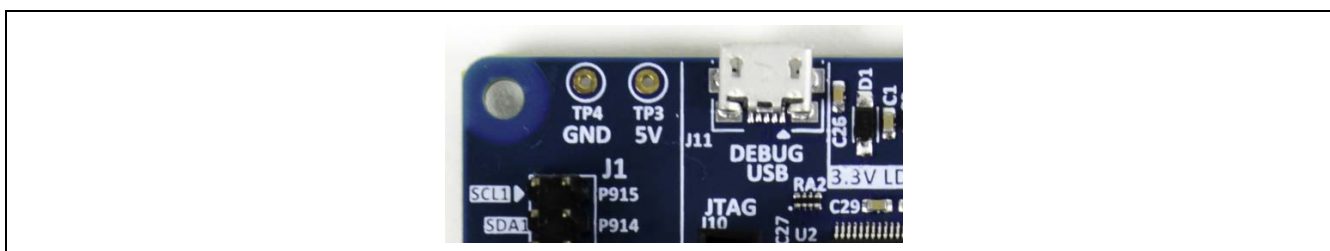


Figure 4 USB debug connector (J11), TP3, and TP4 on the target board

Option 3: Test Points TP1 and TP2

The TB-S3A6 can also be powered by installing a 3.3V source across TP1 (positive input) and TP2 (negative input). Copper jumper E35 must be open to enable powering the board using these test points.



These test points supply voltage directly to the S3A6 MCU, the S124 J-Link MCU, and other on-board circuitry. Use caution to ensure that any voltage connected in this manner meets the power requirements for the active features. Power sources that are outside of the published operating range for the active devices may cause degraded performance or damage the board.

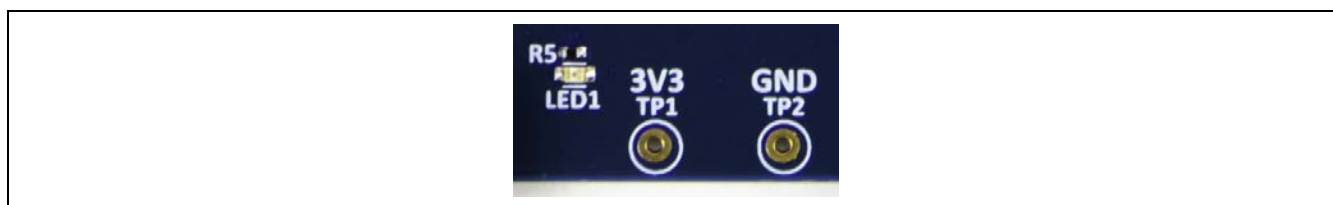


Figure 5 TP1, TP2 and LED1 on target board

Option 4: Pin Headers

The TB-S3A6 can also be powered through the following pin-headers on the board.

- J1 (pin J1-15 for +3.3V, pin J1-17 for Return)
- J2 (pin J2-10 for +3.3V, pin J2-12 for Return)
- J4 (pin J4-37 for +3.3V, pin J4-36 for Return)

Note: Copper jumper E35 must be open for any of these configurations.



The pin headers supply voltage directly to the S3A6 MCU, the S124 J-Link MCU, and other on-board circuitry. Use caution to ensure that any voltage connected in this manner meets the power requirements for the active features. Power sources that are outside of the published operating range for the active devices may cause degraded performance or damage the board.

See Section 4.5, Target board pin headers for more information on the Pin Headers.

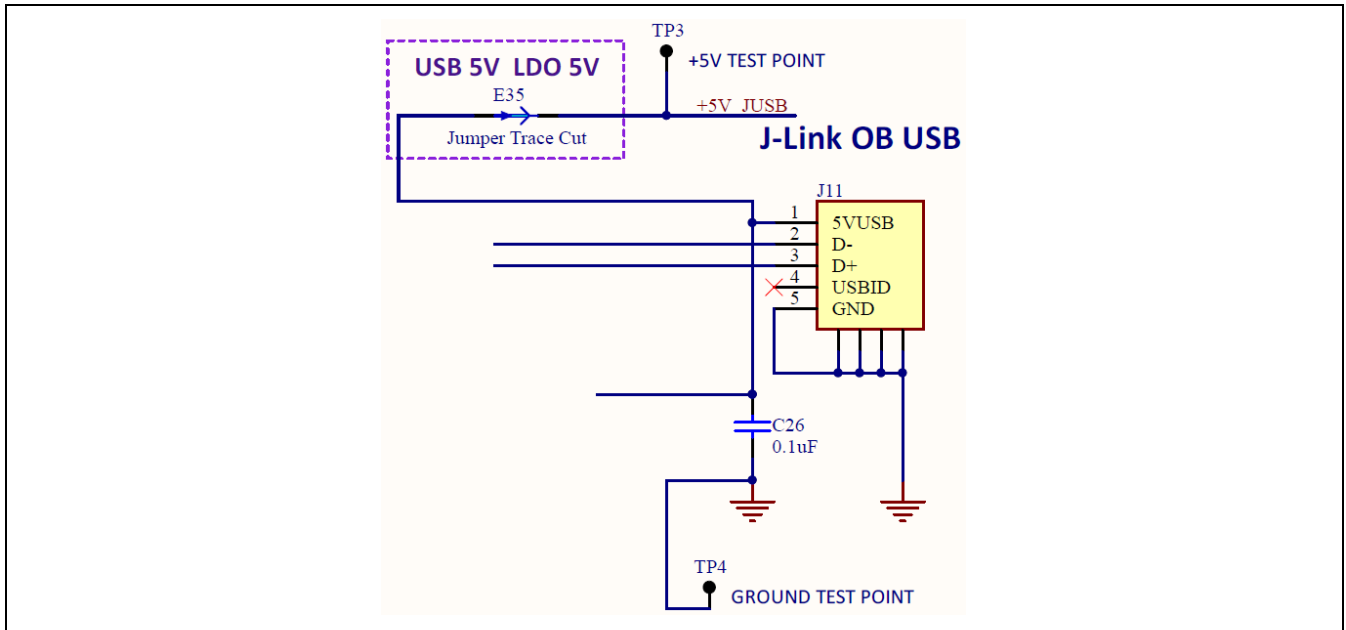


Figure 6 5V power input circuit

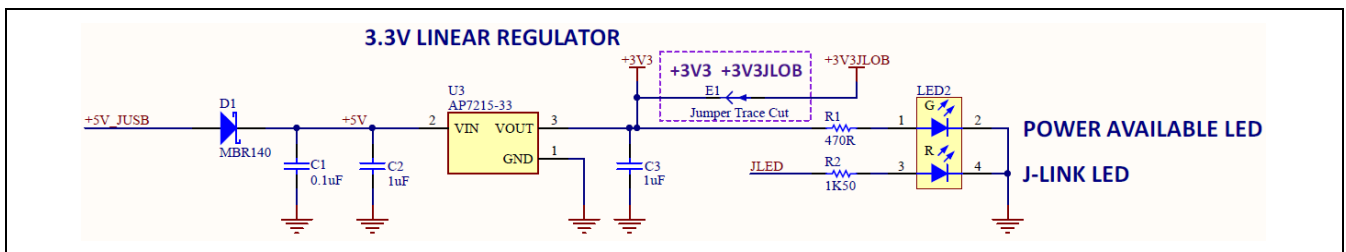


Figure 7 3.3V power regulator circuit

4.2.2 Power-up behavior

When powered, the green LED to the right of the DEVICE USB connector (LED2) lights up. The red LED in the same LED package functions as a status indicator for the J-Link On-Board debug interface on the board. If both LEDs in the LED2 package are lit, LED2 appears orange.

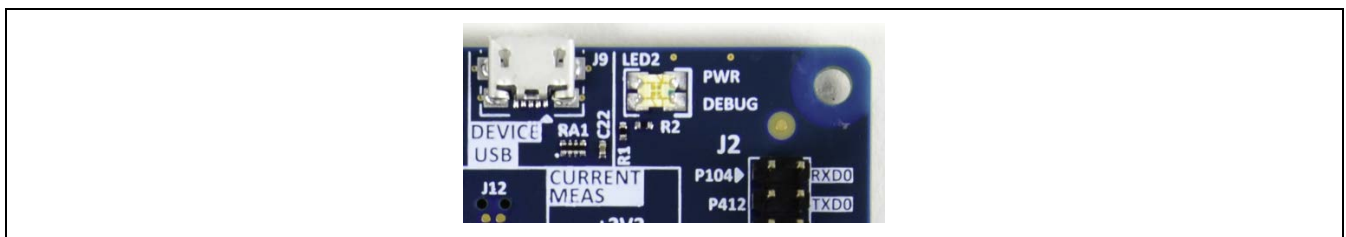


Figure 8 LED2 on target board (top)

4.2.3 Battery supply configuration

An external battery may be connected according to the methods outlined in Section 4.2.1, Power supply options, providing it meets the minimum voltage and current requirements.

Additionally, an external battery source may be connected to VBAT at Pin Header location J2-29 (J2-12 ground return) to maintain the MCU Real Time Clock (RTC) when other main power sources are disconnected from the TB-S3A6.

4.2.4 Measuring current consumption

Pad 1 and 3 of the Copper jumper E6, which is a dual trace-cut jumper, allow measurement of +3V3 MCU supply current. Pad 2 and 4 of E6 allow measurement of VBAT supply current. Both traces are connected by default. These traces should be cut to enable power measurement. Care must be taken when cutting the trace to not cause damage to PCB layers below the trace.

Note that the actual current consumed by the S3A6 MCU is dependent on many factors, including ambient temperature, internal clock speed, input voltage level, and device activity. The actual current consumed by the MCU can vary from less than 1 mA to nearly 40 mA. Please refer to the *S3A6 User's Manual* for more information on the electrical characteristics of the MCU.

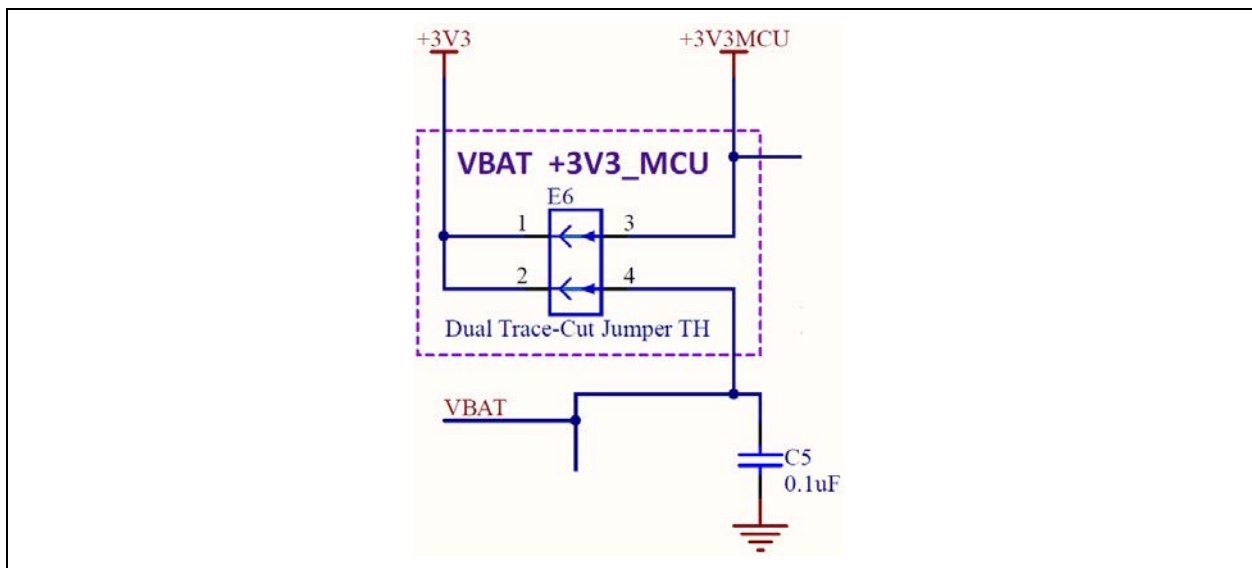


Figure 9 MCU current measurement circuit

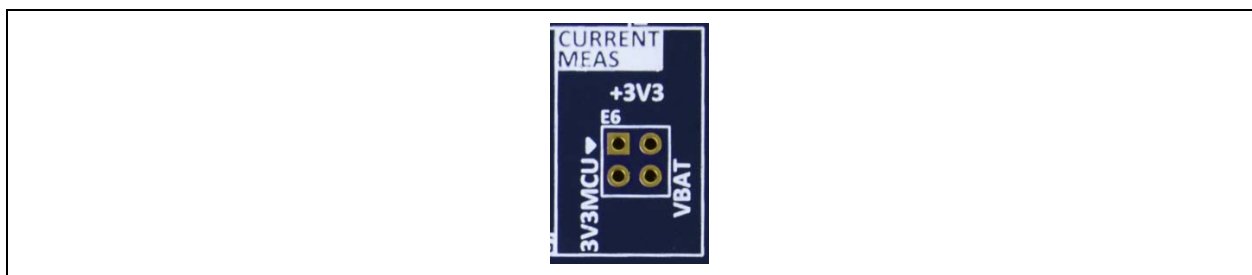


Figure 10 E6 on target board (Top side)

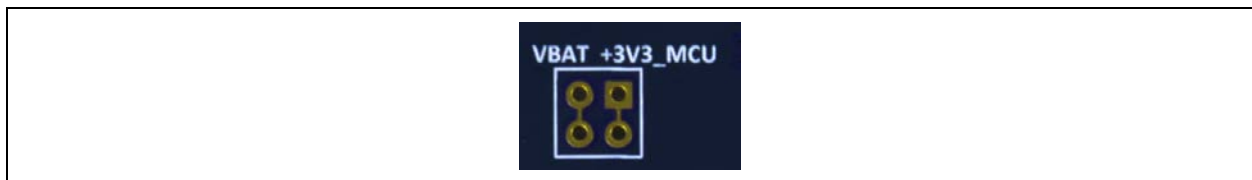


Figure 11 E6 on target board (Bottom side)

Once the shorting traces have been removed, there are several options to measure current:

- Pins can be installed that allow connection of a precision multi-meter or bench meter, or leaded current shunt to allow oscilloscope or data logger connection. When not measuring the current, this allows easily installed and removed shunts to be used to short the jumper terminals.

- Another option is to install current sense resistors between pads 1 and 3 for +3V3 MCU, and between pads 2 and 4 for VBAT. Precision non-inductive film or foil resistors are recommended for use in this application, and the value of each resistor should be carefully considered.

For example, if the expected current requirement for the +3V3 MCU supply voltage is 10 mA, and the user would expect to measure a 10 mV drop across the current measurement resistor, then a 1.0 Ohm resistor should be selected and installed.

The actual value selected should be based on the operating conditions of the MCU for the specific user application, and the sensitivity of the measurement equipment used.

4.3 Major components

Main MCU

- Renesas Synergy S3A6 MCU, part number R7FS3A6783A01CFP#AA0 (U1)
 - Main MCU

J-Link MCU

- Renesas Synergy S124 MCU, part number R7FS124773A01CFM#AA0 (U2)
 - J-Link MCU

USB Connectors

- FCI part number 10118192-0001LF (J9, J11)
 - Micro USB 2.0 Female connector
 - Primary communication with Main MCU and J-Link MCU

Push-buttons

- C&K part number PTS645SM43SMTR92 LFS (S1, S2)
 - Momentary push-button switch
 - Used for system reset and user defined functions

LDO Regulator

- Diodes Inc. part number AP7215-33YG-13 (U3)
 - Low-drop out linear regulator
 - Generates system 3.3V from J-Link USB 5V input

PMOD A Connector

- Samtec part number SSW-106-02-F-D-RA (J5)
 - 12 pin right angle connector for PMOD A

PMOD B Connector

- Samtec part number SSW-106-02-FM-S-RA (J6)
 - 6 pin right angle connector for PMOD B

Pin Headers

- Sullins part number PRPC020DAAN-RC (J1, J2, J3, J4)
 - 40 position pin header, 0.1 inch pitch
 - Provides signal breakout and access for Main MCU signals

System LED

- Dialight part number 598-8610-207F (LED2)
 - Dual color Red/Green LED
 - System status indicator for power and J-Link status

User LED

- Lite-On, part number LTST-C191KRKT (LED1)
 - User defined
 - Single color red LED as needed for user environment

User Potentiometer

- Bourns part number 3352T-1-1-3LF (POT1)
 - User defined
 - Provides variable resistance as needed for user environment

4.4 Connectivity and settings

Throughout this section, feature configuration using copper jumpers is described. Refer to Section 3.1.1, Copper jumpers for information on using copper jumpers.

4.4.1 Device USB

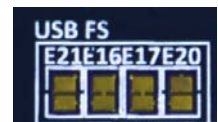
The DEVICE USB Micro-B connection jack connects the Main MCU to an external USB Host, FS capable, allowing communications for testing and use of the Main MCU firmware. Power for the Target Board cannot be received from this connector. The DEVICE USB interface can detect the presence of power from the USB Host PC. The USB Host power received at the DEVICE USB interface is not connected to the Target Board 5V power bus.



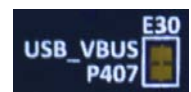
Table 2 DEVICE USB connector (J9)

USB device connector		TB-S3A6
Pin	Description	Signal/Bus
1	+5VDC, connected to a sense voltage 2/3 divider to allow Main MCU sensing of Host presence	+5VUSB P407/USB_VBUS = 2/3(5VUSB)
2	Data-	P915/USB_DM
3	Data+	P914/USB_DP
4	USB ID, jack internal switch, cable inserted	N.C.
5	Ground	GND

Connections in Table 2 are based on the condition of copper jumpers E16, E17, E20, E21, and E30 matching their as-manufactured status. As-manufactured, E16 and E17 are closed, E20 and E21 are open, and E30 is closed.

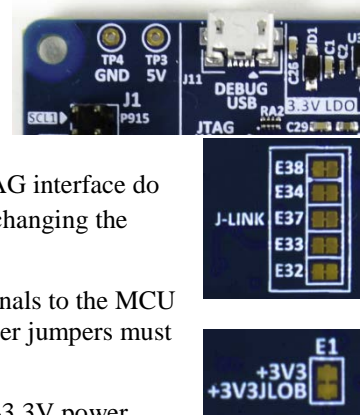


Alternatively, the Device USB signals to the Main MCU may be connected to MCU Pin Header J1. To enable this configuration, copper jumpers E16 and E17 should be open, E20 and E21 should be closed.



4.4.2 Debug USB

The DEBUG USB Micro-B connection jack connects the S124 J-Link MCU to an external USB Host, FS capable, allowing re-programming and debugging of the Main MCU firmware. Power for the Target Board may be received from this connector.



The J-Link OB interface is multiplexed with the JTAG interface, and can collectively be referred to as the Programming Interface. While the J-Link OB interface and the JTAG interface do not conflict, the J-Link OB signals may be isolated from the programming interface by changing the associated copper jumpers.

J-Link Disconnect Copper Jumpers E32, E33, E34, E37, and E38 connect the J-Link signals to the MCU programming interface. To isolate the J-Link signals from the JTAG interface, the copper jumpers must be open. To allow use of the J-Link interface, each copper jumper must be closed.

J-Link MCU Power Copper Jumper, E1, connects the main +3.3V power to the J-Link +3.3V power.

The default condition for E1 is closed, which connects the J-Link MCU power to the main +3.3V power. If J-Link signals are disconnected, the power to the J-Link MCU should also be removed by changing E1 to open.

Table 3 DEBUG USB connector (J11)

DEBUG USB Connector		TB-S3A6
Pin	Description	Signal/Bus
1	+5VDC	+5V_JUSB
2	Data-	U2 USB_DM (U2-18)
3	Data+	U2 USB_DP (U2-19)
4	USB ID, jack internal switch, cable inserted	N.C.
5	Ground	GND

Three of the J-Link ports (P108, P109, and P300) conflict with the SPI interface, as shown in the following table.

Table 4 J-Link Interface Conflicts

Programming Interface		Conflicting Interface	
Port	Use	Interface	Use
P108	SWDIO / JTAG TMS	SPI	SSLB0 fixed function, J1-13
P109	SWO / JTAG TDO	SPI	MOSIB fixed function, J1-7
P300	SWCLK / JTAG TCK	GPT	GTIOC0A fixed function, J1-31

4.4.3 JTAG/SWD

A 10-pin Cortex Debug Connector is provided at J10.

Table 5 JTAG / SWD connector (J10)

JTAG Connector			TB-S3A6
Pin	JTAG pin name	SWD pin name	Signal/Bus
1	VTref	VTref	+3V3
2	TMS	SWDIO	U1 P108/SWDIO (U1-51)
3	GND	GND	GND
4	TCK	SWCLK	U1 P300/SWCLK (U1-50)
5	GND	GND	GND
6	TDO	SWO	U1 P109 (U1-52)
7	Key	Key	N.C.
8	TDI	NC/EXTb	U1 P110 (U1-53)
9	GNDDetect	GNDDetect	N.C. (short E31 to connect to GND)
10	nSRST	nSRST	U1 RESET# (U1-38)

The Cortex Debug Connector is fully described in the Arm® CoreSight™ Architecture Specification.

The J-Link MCU Power copper jumper and J-Link Disconnects copper jumpers may be open for proper operation of the JTAG interface to prevent interactions with the J-Link MCU. See Section 4.4.2, Debug USB for details.

If a JTAG adapter is in use that properly interprets the ARM Cortex 10-pin Debug connector assignment of pin 9 to GND, the JTAG GNDDetect copper jumper E31 should be closed. If the JTAG adapter used is one of several that may be confused or damaged by the presence of GND at pin 9, E31 should be open (as shipped).



The J-Link OB interface is multiplexed with the JTAG interface, and can collectively be referred to as the Programming Interface. While the J-Link OB interface and the JTAG interface do not conflict, the J-Link OB signals may be isolated from the programming interface by changing the copper jumpers as described in Section 4.4.2, Debug USB.

Four of the JTAG ports (P108, P109, P110 and P300) conflict with the SPI interface, as shown in the following table.

Table 6 JTAG interface conflicts

Programming Interface		Conflicting Interface	
Port	Use	Interface	Use
P108	TMS / J-Link SWDIO	SPI	SSLB0_B fixed function, J1-13
P109	TDO / J-Link SWO	SPI	MOSIB_B fixed function, J1-7
P110	TDI	SPI	MISOB_B fixed function, J1-9
P300	SWCLK	GPT	GTIOC0A_A fixed function, J1-31

4.4.4 LEDs

Two LEDs are provided on the TB-S3A6 Target Board. Target Board U1 is the Main MCU, and directly controls LED1. See Figure 5 for LED1 location, Figure 8 for LED2 location, and Figure 7 for LED2 circuit. Target Board U2 is the J-Link MCU, and controls the Red LED in LED2.

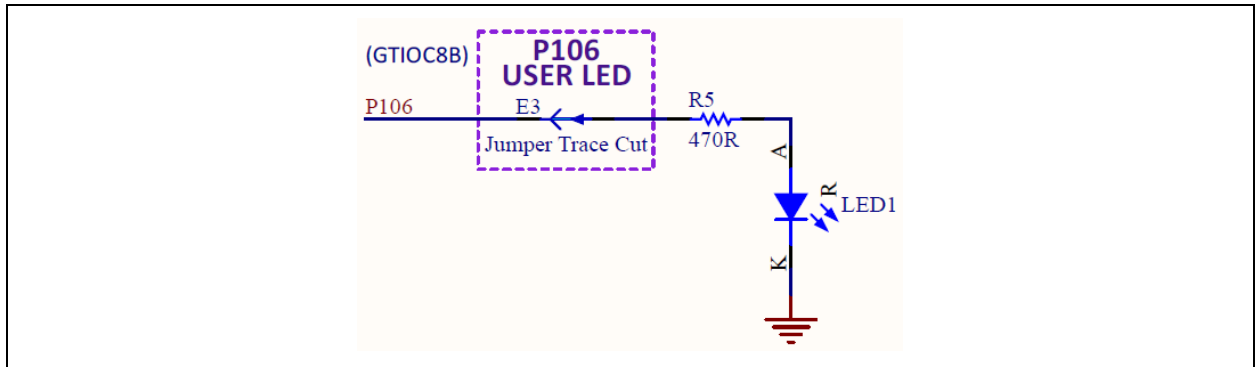


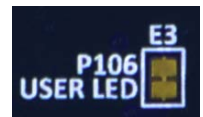
Figure 12 LED1 control circuit

The behavior of the LEDs is described in the following table.

Table 7 Target board LED functions

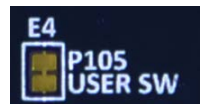
Designator	Color	Function	MCU control port	MCU pin
LED1	Red	User LED	U1 P106	U1-102
LED2	Red	J-Link Indicator	JLED (U2 P103)	U2-45
LED2	Green	3.3V Power Available	+3V3	N.A.

To disconnect the User LED from the MCU signal P106, the copper jumper E3 must be open.



4.4.5 Switches

Two miniature, momentary, mechanical push-button type SMT switches are mounted on the Target Board. Pressing the RESET Switch generates a reset signal to restart the Main MCU.



To disconnect the User Switch from the MCU signal P105/IRQ0, copper jumper E4 must be open.

Table 8 Target board switches

Designator	Function	MCU Control Port	MCU Pin
S1	User Switch	U1 P105/IRQ0	U1-103
S2	MCU Reset Switch	RESET#	U1-55

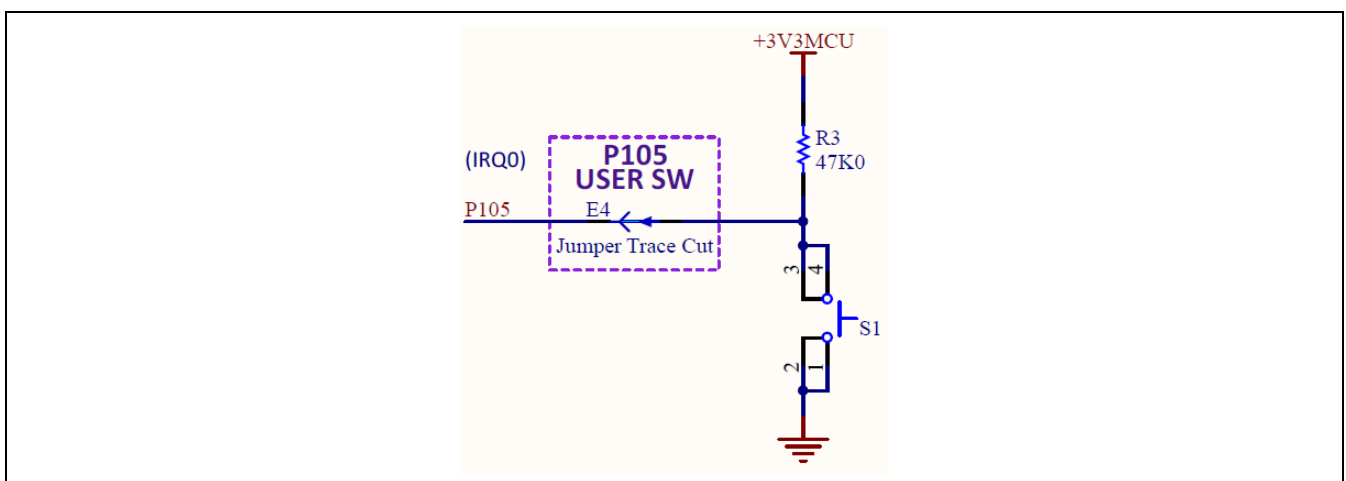


Figure 13 User switch circuit



Figure 14 User switch (S1) on target board

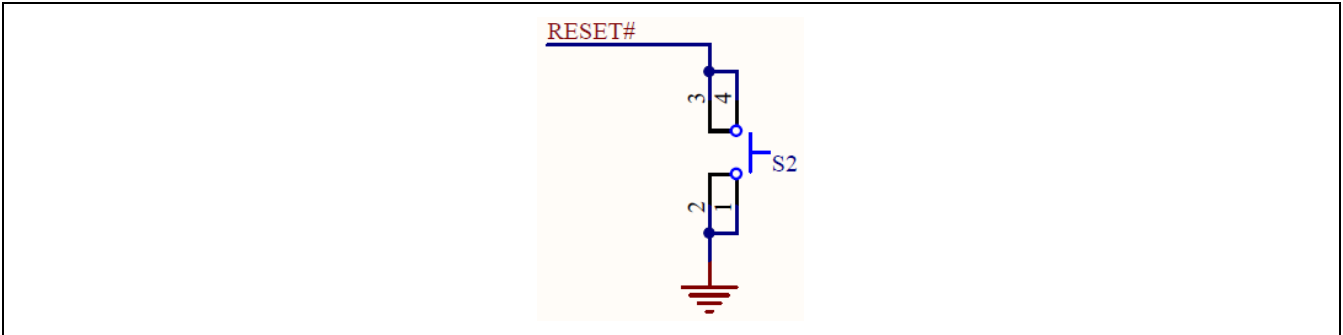


Figure 15 Reset switch circuit



Figure 16 Reset switch (S2) on target board

4.4.6 PMOD A

A 12-pin PMOD type 2A connector is provided at PMOD A. The interface is powered for 3.3V modules only. The Main MCU acts as the SPI master, and the connected module acts as an SPI slave device. This interface may additionally be re-configured in firmware as several other PMOD types.



Note that signals on PMOD A are shared with Main MCU pin headers J1 and J2. Care must be taken to ensure shared signals are not used concurrently.

Table 9 PMOD A connector (J5)

USB device connector		TB-S3A6
Pin	Description	Signal/Bus
1	SS (low to select slave)	U1 P103, SSLA0_A (U1-72)
2	MOSI	U1 P101, MOSIA_A (U1-74)
3	MISO	U1 P100, MISOA_A (U1-75)
4	SCK	U1 P102, RSPCKA_A (U1-73)
5	GND	GND
6	VCC	+3V3
7	INT (slave to master)	U1 P104, IRQ1 (U1-71)
8	RESET (master to slave)	U1 P107, GPIO (U1-68)
9	Not Specified	U1 P111, GPIO (U1-54)
10	Not Specified	U1 P112, GPIO (U1-55)
11	GND	GND
12	VCC	+3V3

Limits of the 3.3V regulator on the Target Board, and limits of the power source supplying that regulator (especially for USB Host devices), including the to-be-connected PMOD device, must be considered prior to connecting a module to a PMOD connector.

4.4.7 PMOD B

A 6-pin PMOD type 4 connector is provided at PMOD B. The interface is powered for 3.3V modules only. The Main MCU acts as the UART DCE, and the connected module acts as the UART DTE. This interface may additionally be re-configured in firmware as some other PMOD types.



Note that signals on PMOD B are shared with Main MCU pin header J1 and J2. Care must be taken to ensure shared signals are not used concurrently.

Table 10 PMOD B connector (J6)

USB device connector		TB-S3A6
Pin	Description	Signal/Bus
1	CTS (from module)	U1 P403, CTS1 (U1-4)
2	TXD	U1 P401, TXD1 (U1-2)
3	RXD	U1 P402, RXD1 (U1-3)
4	RTS (from Main MCU)	U1 P400, GPIO (U1-1) (for RTS by Main MCU firmware)
5	GND	GND
6	VCC	+3V3

Limits of the 3.3V regulator on the Target Board, and limits of the power source supplying that regulator (especially for USB Host devices), including the to-be-connected PMOD device, must be considered prior to connecting a module to a PMOD connector.

4.4.8 User capacitive touch button

A capacitive sensor region for use as a Capacitive Touch button is provided in the board USER INPUT region. A support circuit, TSCAP, is required for proper operation of Capacitive Touch button(s) by the Main MCU.

To disconnect the Capacitive Touch Button from the MCU, the copper jumper E2 must be open.

To connect MCU signal P115 to pin header J3, the copper jumper E5 must be closed.



Table 11 Target board capacitive touch button sensor

Designator	Function	MCU Control Port	MCU Pin
TS1	Capacitive Touch Button	U1 P115 (TS35)	U1-80
-	TSCAP Support	U1 P205 (TSCAP-A)	U1-43

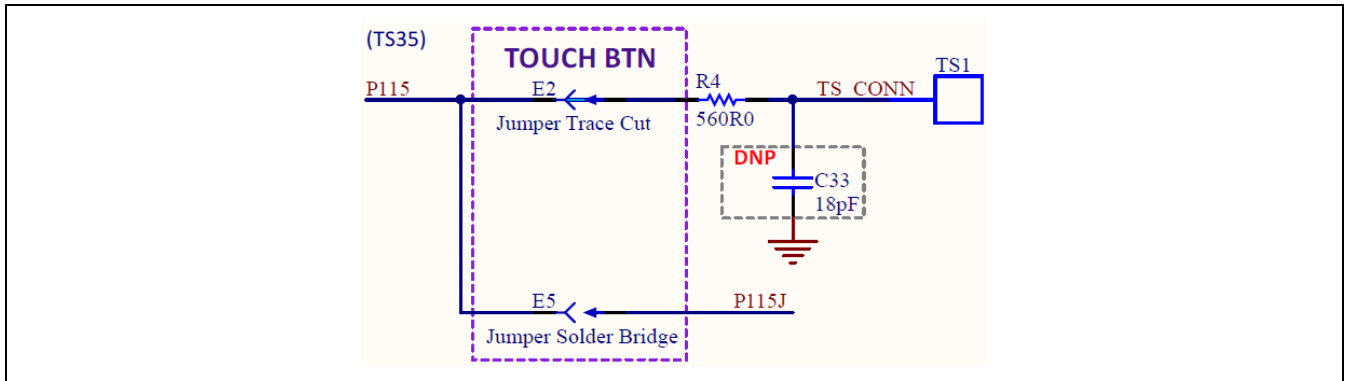


Figure 17 Capacitive touch button circuit

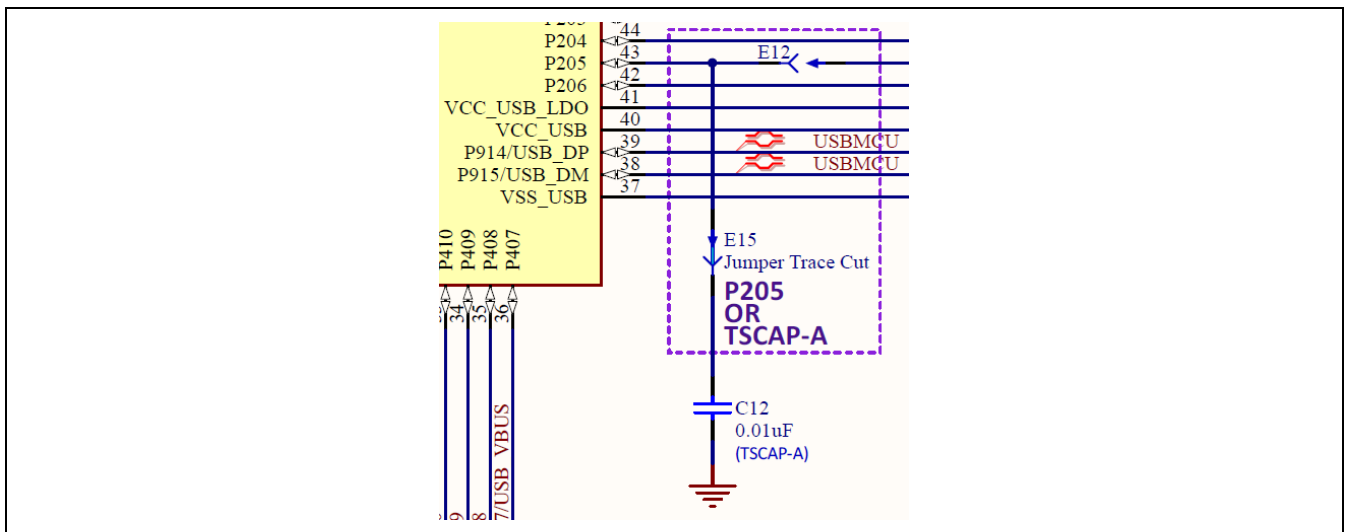


Figure 18 Capacitive touch TSCAP circuit



Figure 19 Capacitive touch button on target board (top)

4.5 Target board pin headers

The Target Board pin headers, J1, J2, J3, and J4, provide access to all Main MCU interface signals, and to voltages for all Main MCU power ports.

Fixed Function Pin Assignments

For consistency across all Synergy Target Board Kits, some pin assignments on the headers have **fixed function** signal assignments. This provides specific signals and functions to be at a common pin header location on all Target Boards for S1, S3, S5, S7 Synergy MCU Series.

On the TB-S3A6, 40 pins of the pin headers are set aside for **fixed function** assignment. These pins are odd-numbered pins of J1 and even-numbered pins of J2.

Pin Header Fixed Function Pins are labeled on the Target Board with dark text on a white background. Pins that are not Fixed Function pins are labeled with white text on a dark background. On the top side of the board is the functional label for the fixed location. On the bottom side of the board is the port information for the same pin.

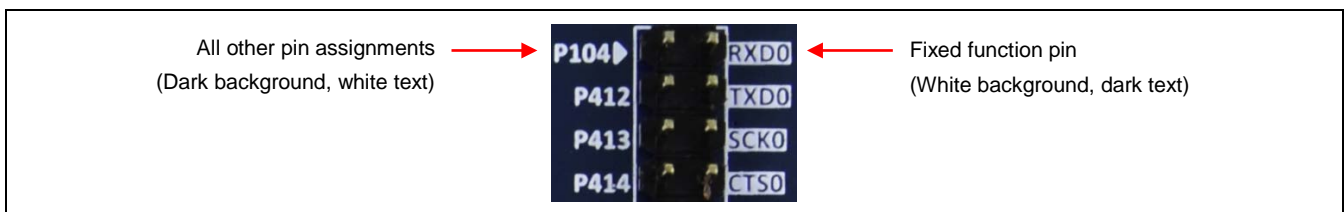


Figure 20 Fixed function pin label example

There are several pins in the headers that are **secondary fixed function** pins. These **secondary fixed function** pins share common pin assignments with other Target Boards having Main MCUs with the same functionality. The secondary fixed function pins are also labeled with the top side having a functional label, and bottom side having a port label.

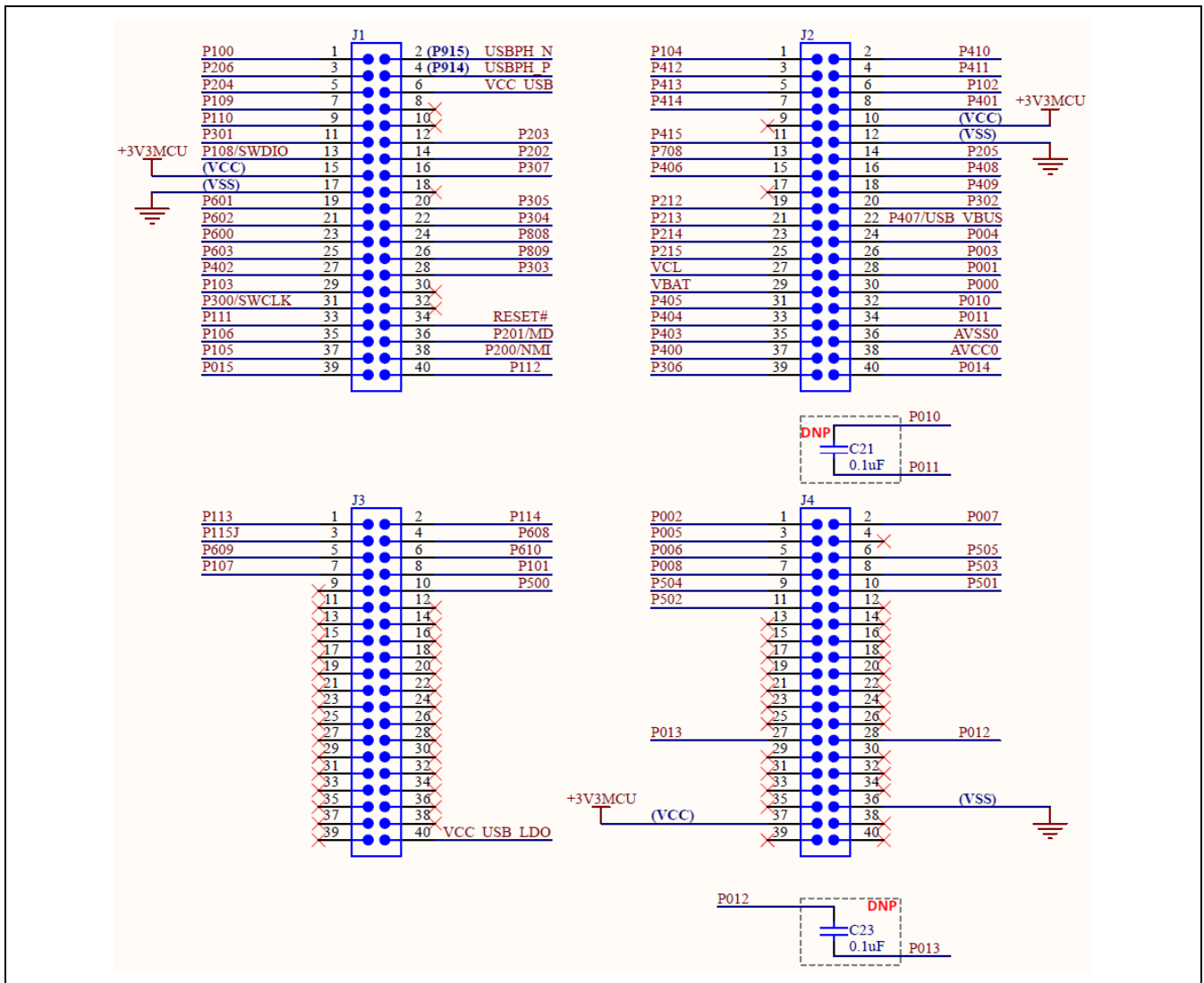


Figure 21 TB-S3A6 pin headers circuit

4.5.1 Pin header J1

Pin header J1 is a 2-column by 20-row through-hole pin header on 0.100 inch centers.

Table 12 Pin header J1 pin assignment

100p S3A6 Pin	S3A6 Signal	J1 Pins		S3A6 Signal	100p S3A6 Pin
75	P100	1	2	P914/USB_DP	28
31	P206	3	4	P915/USB_DM	27
33	P204	5	6	VCC_USB	29
52	P109/TDO/SWO	7	8	(None)	NC
53	P110/TDI	9	10	(None)	NC
49	P301	11	12	P203	34
51	P108/TMS/SWDIO	13	14	P202	35
62	VCC	15	16	P307	41
63	VSS	17	18	(None)	NC
66	P601	19	20	P305	43
65	P602	21	22	P304	44
67	P600	23	24	P808	45
64	P603	25	26	P809	46
3	P402	27	28	P303	47
72	P103	29	30	(None)	NC
50	P300/TCK/SWCLK	31	32	(None)	NC
54	P111	33	34	RES	38
69	P106	35	36	P201/MD	39
70	P105	37	38	P200	40
84	P015	39	40	P112	55

Color Key:

Primary Fixed Function Pins
Secondary Fixed Function Pins

4.5.2 Pin header J2

Pin header J2 is a 2-column by 20-row through-hole pin header on 0.100 inch centers.

Table 13 Pin header J2 pin assignment

100p S3A6 Pin	S3A6 Signal	J2 Pins		S3A6 Signal	100p S3A6 Pin
71	P104	1	2	P410	22
20	P412	3	4	P411	21
19	P413	5	6	P102	73
18	P414	7	8	P401	2
NC	(None)	9	10	VCC	15
17	P415	11	12	VSS	12
16	P708	13	14	P205	32
7	P406	15	16	P408	24
NC	(None)	17	18	P409	23
14	P212/EXTAL	19	20	P302	48
13	P213/XTAL	21	22	P407	25
11	P214/XCOUT	23	24	P004	96
10	P215/XCIN	25	26	P003	97
9	VCL	27	28	P001	99
8	VBATT	29	30	P000	100
6	P405	31	32	P010/VREFH0	91
5	P404	33	34	P011/VREFL0	90
4	P403	35	36	AVSS0	89
1	P400	37	38	AVCC0	88
42	P306	39	40	P014	85

Color Key:

Primary Fixed Function pins
Secondary Fixed Function pins

4.5.3 Pin header J3

Pin header J3 is a 2-column by 20-row through-hole pin header on 0.100 inch centers.

Table 14 Pin header J3 pin assignment

100p S3A6 Pin	S3A6 Signal	J3 Pins		S3A6 Signal	100p S3A6 Pin
56	P113	1	2	P114	57
58	P115	3	4	P608	59
60	P609	5	6	P610	61
68	P107	7	8	P101	74
NC	(None)	9	10	P500	76
NC	(None)	11	12	(None)	NC
NC	(None)	13	14	(None)	NC
NC	(None)	15	16	(None)	NC
NC	(None)	17	18	(None)	NC
NC	(None)	19	20	(None)	NC
NC	(None)	21	22	(None)	NC
NC	(None)	23	24	(None)	NC
NC	(None)	25	26	(None)	NC
NC	(None)	27	28	(None)	NC
NC	(None)	29	30	(None)	NC
NC	(None)	31	32	(None)	NC
NC	(None)	33	34	(None)	NC
NC	(None)	35	36	(None)	NC
NC	(None)	37	38	(None)	NC
NC	(None)	39	40	VCC_USB_LDO	30

Color Key:

Secondary Fixed Function pins

4.5.4 Pin header J4

Pin header J4 is a 2-column by 20-row through-hole pin header on 0.100 inch centers.

Table 15 Pin header J4 pin assignment

100p S3A6 Pin	S3A6 Signal	J4 Pins		S3A6 Signal	100p S3A6 Pin
98	P002	1	2	P007	93
95	P005	3	4	(None)	NC
94	P006	5	6	P505	81
92	P008	7	8	P503	79
80	P504	9	10	P501	77
78	P502	11	12	(None)	NC
NC	(None)	13	14	(None)	NC
NC	(None)	15	16	(None)	NC
NC	(None)	17	18	(None)	NC
NC	(None)	19	20	(None)	NC
NC	(None)	21	22	(None)	NC
NC	(None)	23	24	(None)	NC
NC	(None)	25	26	(None)	NC
87	P012/VREFH	27	28	P013/VREFL	86
NC	(None)	29	30	(None)	NC
NC	(None)	31	32	(None)	NC
NC	(None)	33	34	(None)	NC
NC	(None)	35	36	VSS	12
15	VCC	37	38	(None)	NC
NC	(None)	39	40	(None)	NC

Color Key:

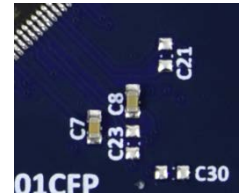
Secondary Fixed Function pins

4.6 Additional features

4.6.1 Analog reference voltages

A footprint for installation of capacitors C21 and C23 is provided on the Target Board. These two capacitors provide noise-bypass capability for ports P010/P011 and for ports P012/P013. See Figure 21 for the circuit design.

Port pair P010/P011 may be assigned as GPIO, where bypass capacitor C21 would damage signal quality. When P010/P011 are to be assigned as VREFH0/VREFL0, installation of the capacitor C21 can reduce reference voltage noise and improve ADC measurement and DAC output quality. The Target Board was designed for Samsung P/N CL10B104KB8NANC, or similar, noise-bypass capacitors.



Port pair P012/P013 may be assigned as GPIO, where bypass capacitor C23 would damage signal quality. When P012/P013 are to be assigned as VREFH/VREFL, installation of capacitor C23 may reduce reference voltage noise and improve ADC measurement and DAC output quality. The Target Board was designed for Samsung P/N CL10B104KB8NANC, or similar, noise-bypass capacitors.

4.6.2 On-board clock crystals

The TB-S3A6 includes two precision crystal clock sources. A precision 12.000 MHz crystal is installed at location X1, and a precision 32.768 kHz crystal is installed at location X2. These crystal clock sources are connected to the Main MCU by default.



The MCU pins for the 12 MHz clock crystal may be connected to P212 and P213. To disconnect the 12 MHz crystal, open copper jumpers E23 and E24, and close copper jumpers E18 and E19.

The MCU pins for the 32.768 kHz clock crystal may be connected to P214 and P215. To disconnect the 32.768 kHz crystal, open copper jumpers E25 and E26, and close copper jumpers E22 and E27.

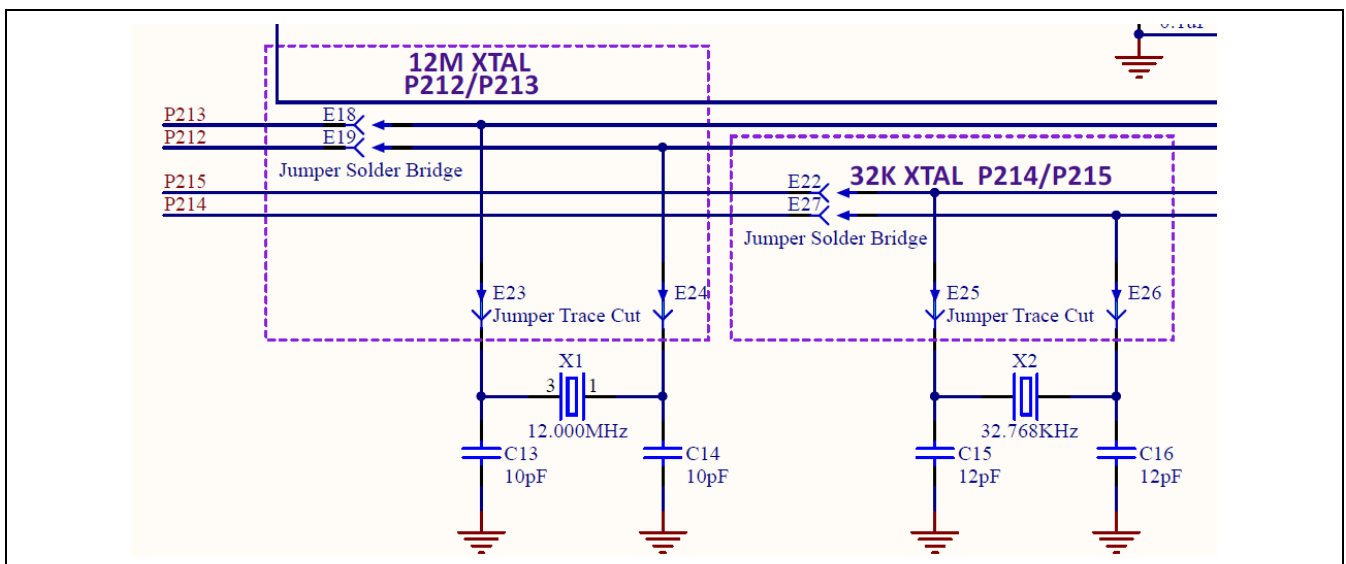


Figure 22 Crystal clock sources

4.6.3 User potentiometer

A footprint for installation of a potentiometer and a recommended noise-bypass capacitor are provided on the Target Board. The footprint was designed for installation of a Bourns P/N 3352T-1-103LF, or equivalent, as the potentiometer, and a Samsung P/N CL10B104KB8NNNC, or similar, as the noise-bypass capacitor.

When the User Potentiometer is installed, copper jumper E36 must be closed to connect the User Potentiometer to the MCU.



Table 16 Target board user potentiometer

Designator	Function	MCU Control Port	MCU Pin
POT1	User Potentiometer	U1 P004 (AN004)	U1-136

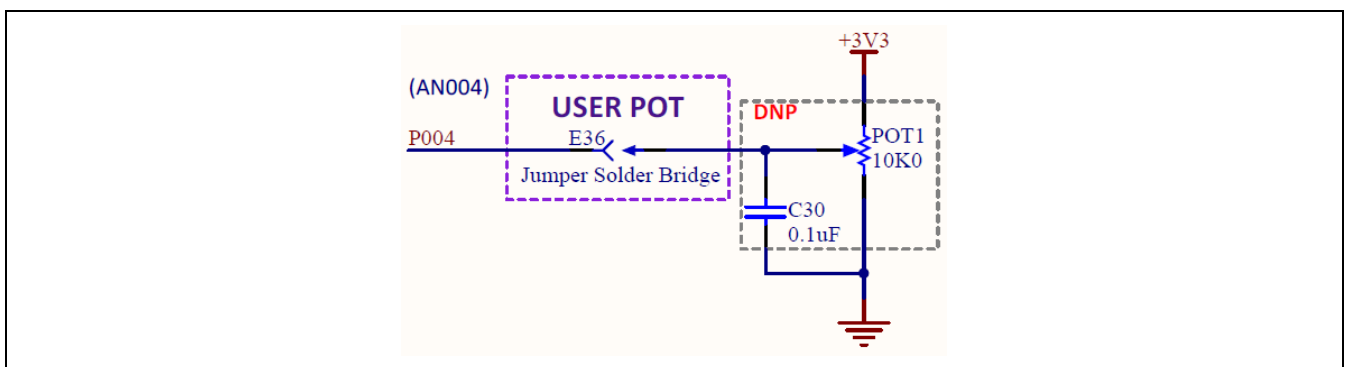


Figure 23 User potentiometer circuit

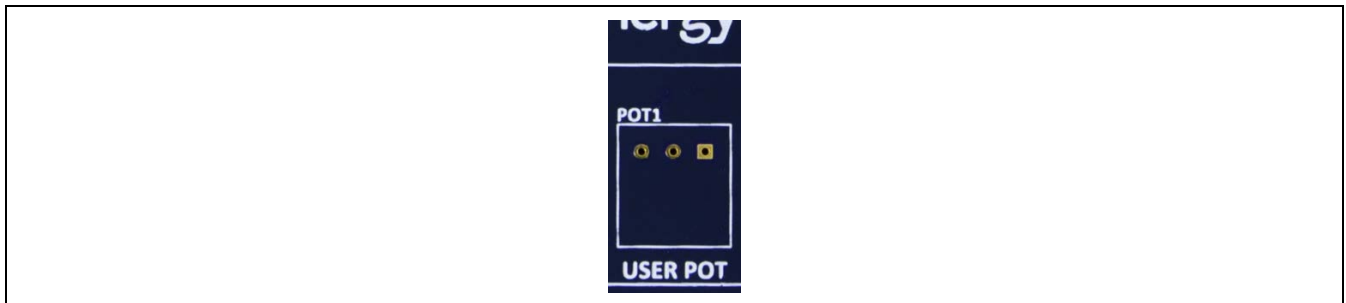


Figure 24 User potentiometer on target board (top)

4.6.4 Boot configuration

The BOOT CONFIG jumper, J8 is used to configure the operating mode of the S3A6 MCU at boot.

Table 17 Boot configuration

Boot Configuration	J8 Shunt Location
Normal Boot (default)	Pins 1 and 2
SCI / USB Boot	Pins 1 and 3

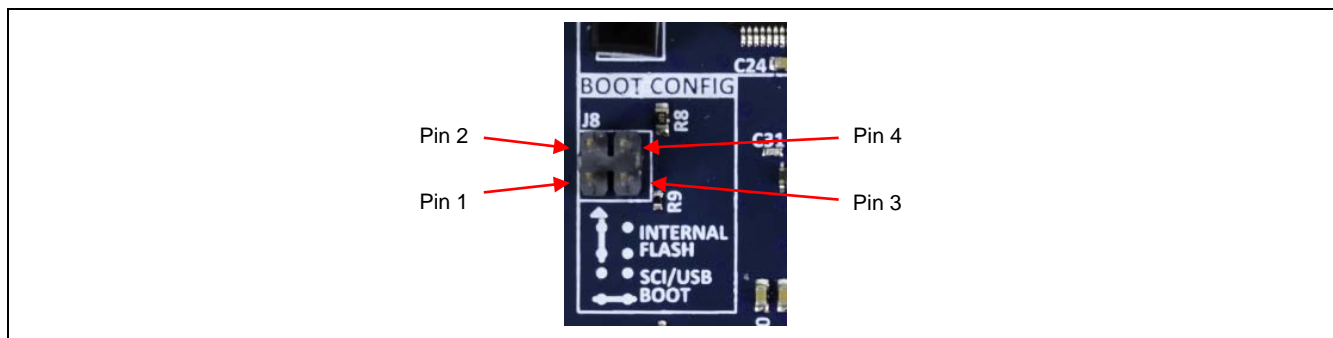


Figure 25 Boot config jumper J8

4.6.5 Miscellaneous signals

4.6.5.1 AVCC0/AVSS0

By default, AVCC0 is connected to +3V3 MCU and AVSS0 is connected to the system ground. To disconnect these references from the AVCC0 and AVSS0 lines, copper jumpers E10 and E11 must be open.



4.6.5.2 VCL

By default, the Main MCU pin VCL is connected to reference capacitor C17. To connect this pin to the MCU pin header J2, solder bridge E28 must be closed. To disconnect the reference capacitor C17, copper jumper E29 must be open.



4.6.5.3 VCC_USB_LDO

By default, the Main MCU pin VCC_USB_LDO is connected to the +3V3 MCU supply voltage. Alternatively, this pin may be connected to MCU pin header J3. To do this, copper jumper E7 must be open and copper jumper E13 must be closed.

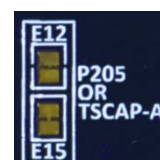


4.6.5.4 VCC_USB

By default, the Main MCU pin VCC_USB is connected to the +3V3 MCU supply voltage. Alternatively, this pin may be connected to MCU pin header J1. To do this the copper jumper E8 must be open and the copper jumper E14 must be closed.

4.6.5.5 Signal P205

By default, the Main MCU pin P205 is connected to a TSCAP-A capacitor. This pin may be connected to the MCU pin header J2. To do this the copper jumper E12 must be closed. The TSCAP-A capacitor may be disconnected by making the copper jumper E15 open.



5. Electrical Schematics

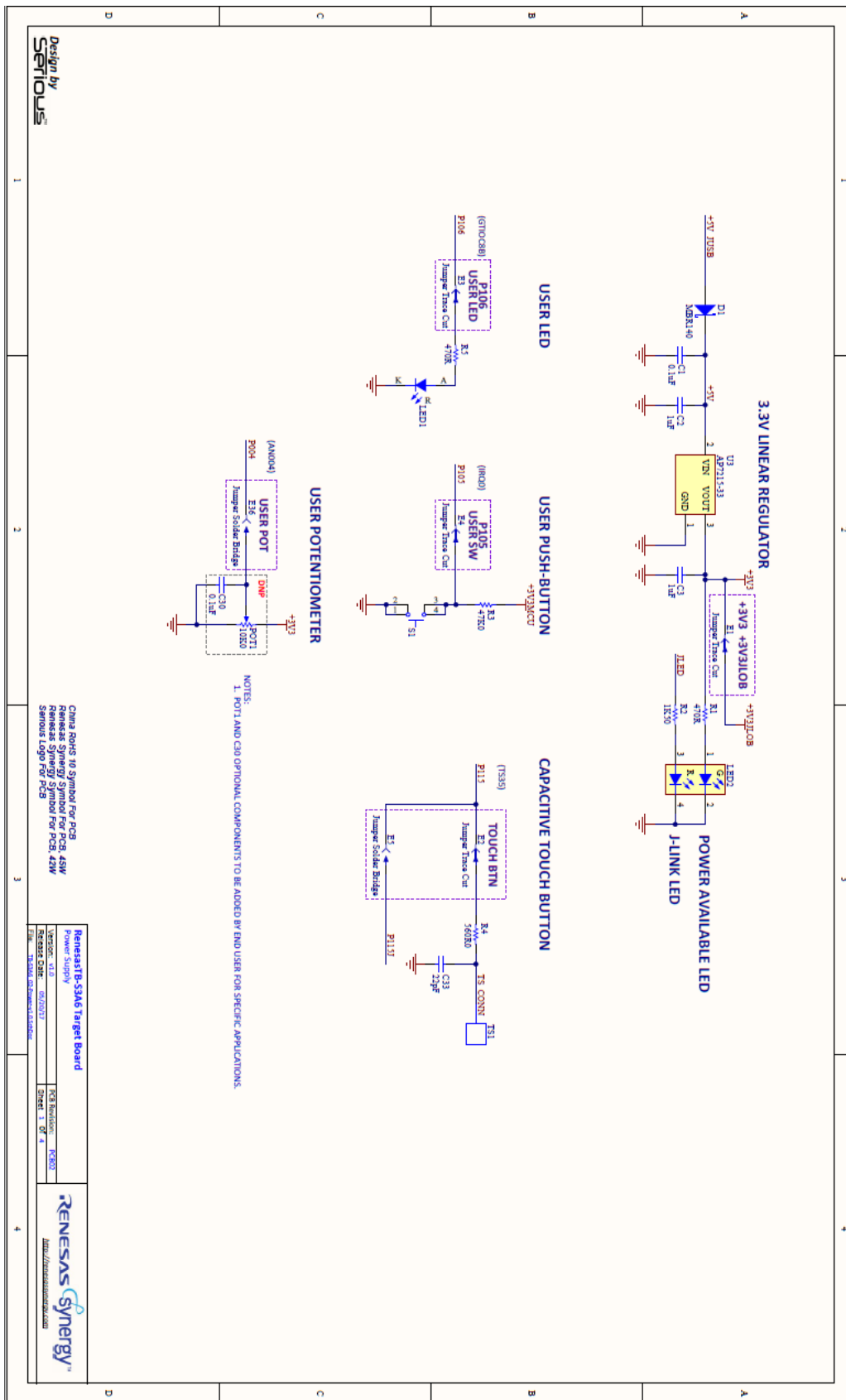


Figure 26 Schematics (1)

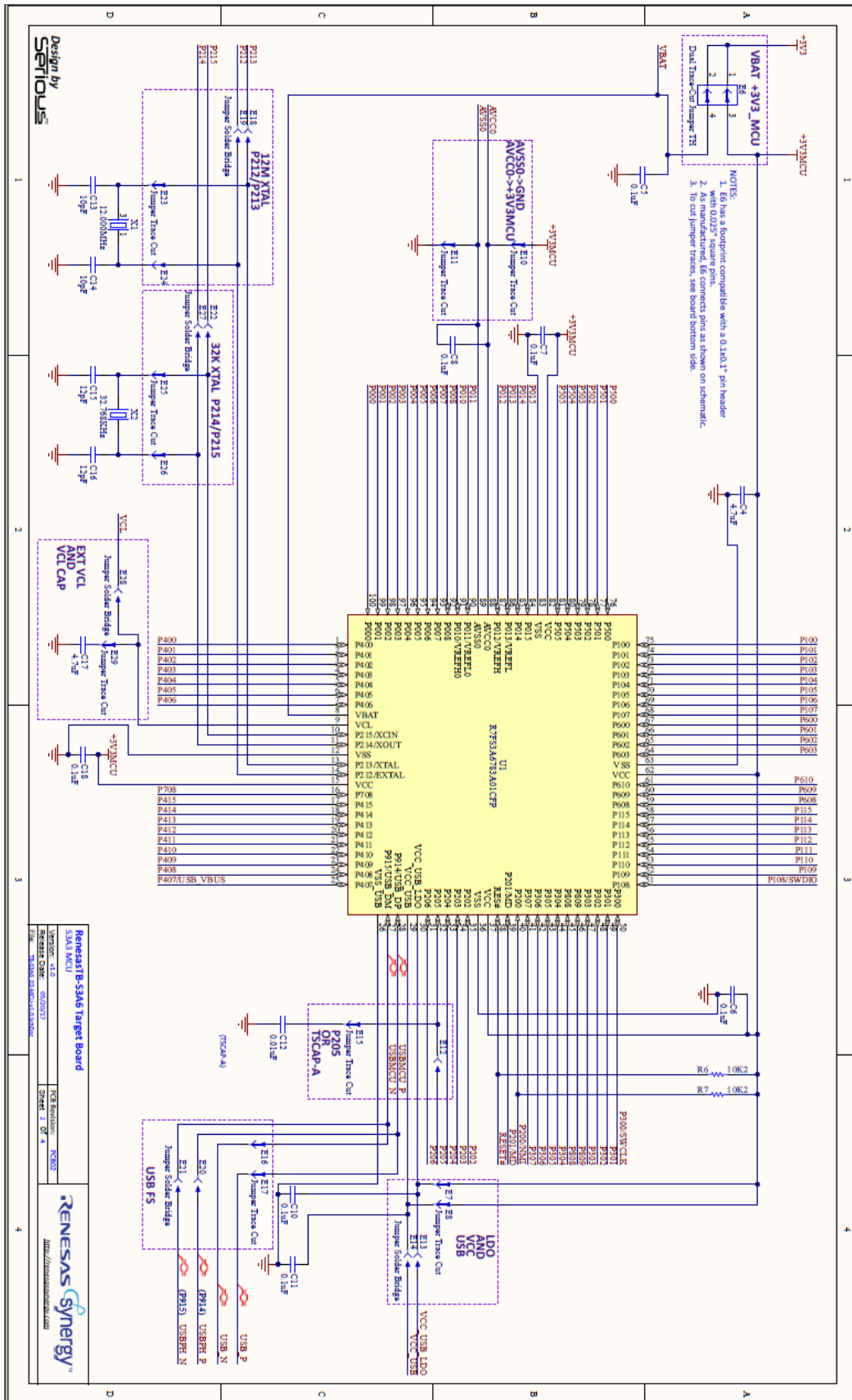


Figure 27 Schematics (2)

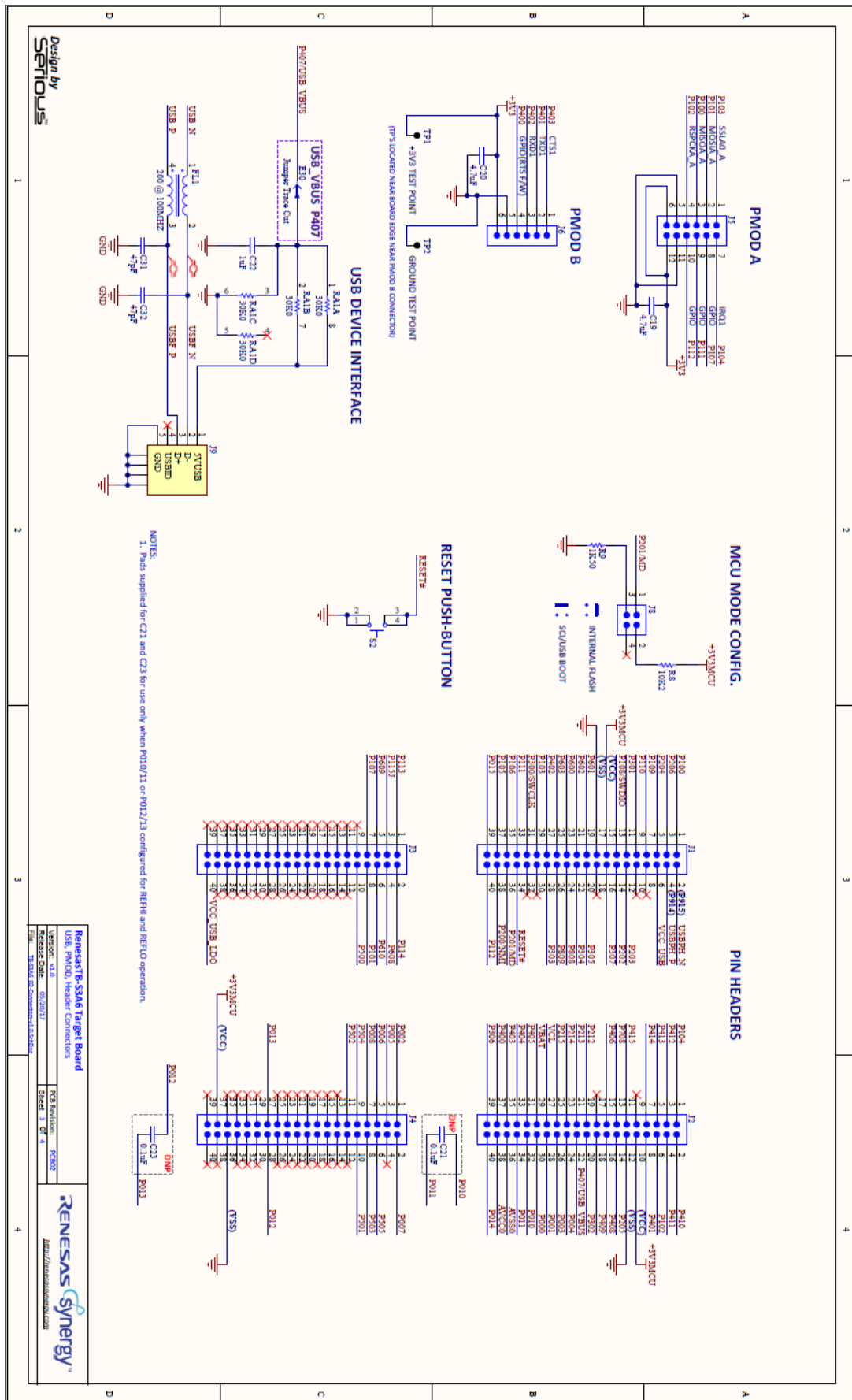


Figure 28 Schematics (3)

6. Mechanical Drawing

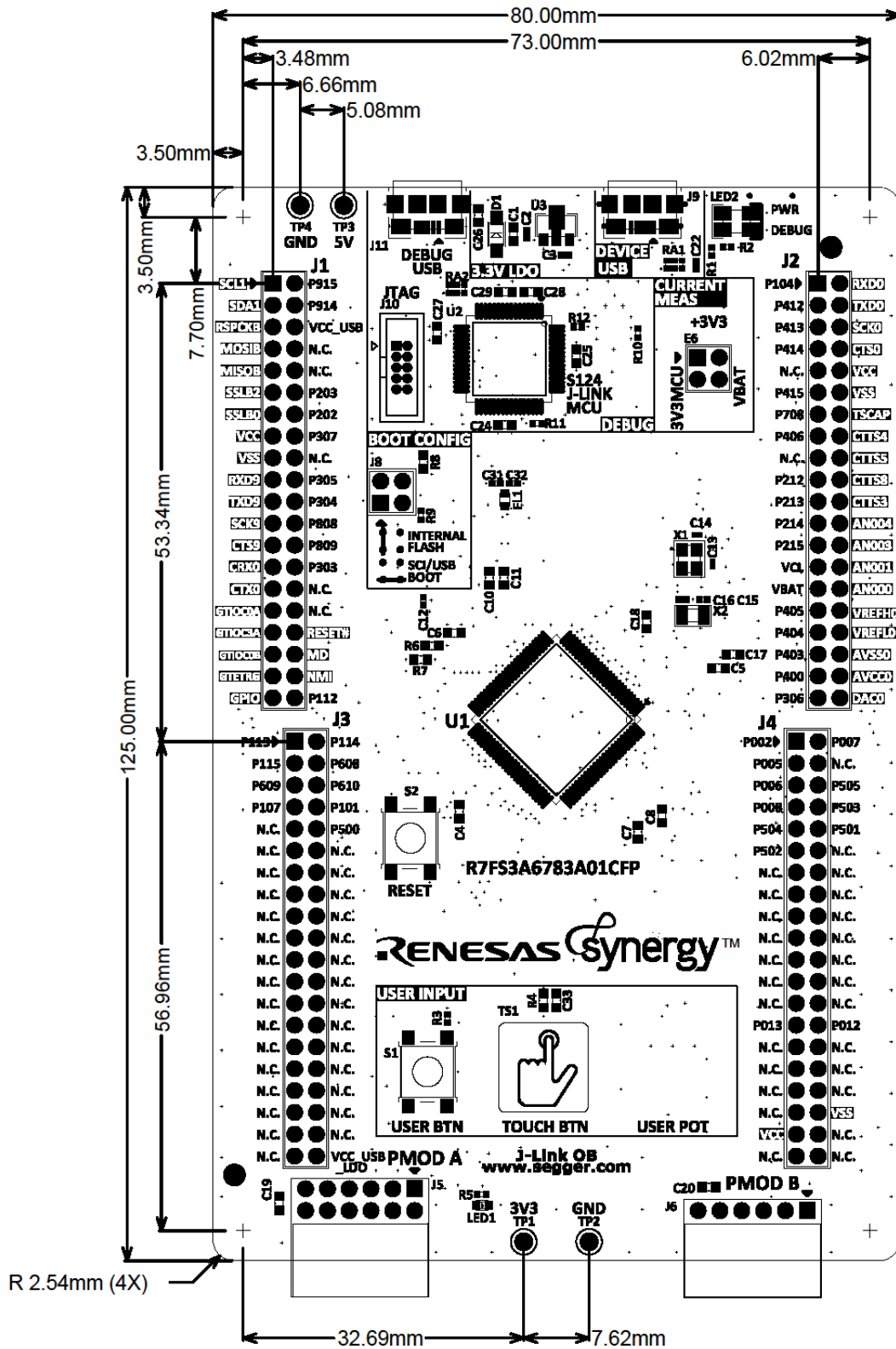


Table 18 Target board physical characteristics and locations

Parameter	Value	Units
Target Board Envelope Height	130	mm
Target Board Envelope Width	80	mm
Target Board Envelope Thickness, including solder mask, not including overlay printing	11	mm
Target Board assembled weight (estimated)	65	grams
Target Board shipping weight	TBD	grams
Target Board PCB Height	125	mm
Target Board PCB Width	80	mm
Target Board PCB Thickness, including solder mask, not including overlay printing	1.65	mm
PCB corner rounding radius	2.54	mm
Mounting holes' diameter	3.175	mm
Mounting Hole Upper Left (center)	(3.5,121.5)	mm
Mounting Hole Lower Left (center)	(3.5,3.5)	mm
Mounting Hole Upper Right (center)	(76.5,121.5)	mm
Mounting Hole Lower Right (center)	(76.5,3.5)	mm
J1 (Upper Left pin header, locate pin 1)	(6.98,113.8)	mm
J2 (Upper Right pin header, locate pin 1)	(70.48,113.8)	mm
J3 (Lower Left pin header, locate pin 1)	(9.52,60.46)	mm
J4 (Lower Right pin header, locate pin 1)	(67.94,60.46)	mm
TP1 (3V3, center)	(36.19,2.215)	mm
TP2 (GND, center)	(43.81,2.215)	mm
TP3 (5V, center)	(15.235,122.865)	mm
TP4 (GND, center)	(10.155,122.865)	mm
PMOD A (12-pin Female right-angle, locate pin 1)	(23.49,8.39)	mm
PMOD B (6-pin Female right-angle, locate pin 1)	(69.21,5.85)	mm

Notes:

- Envelope size is the enveloping box inner dimensions for the assembled Target Board with pin headers, USB micro-B connectors and PMOD connectors installed.
- Position is shown as (#,#), where the first number is distance from the left Target Board edge and the second number is distance from the lower Target Board edge (board viewed with **Renesas** oriented for normal viewing), board viewed from its top surface.

7. Certifications

FCC Compliance

This device complies with part 15 of the FCC Rules. Operation is subject to the following two conditions: (1) This device may not cause harmful interference, and (2) This device must accept any interference received, including interference that may cause undesired operation.

China SJ/T 113642014, 10 year environmental protection use period.

EU RoHS

EU EMI/EMC compliance

8. Resources and Support

For more information on how to order this kit from Renesas or from a local distributor, visit the kit page on our website. In addition to ordering information, you will also be able to download schematics, relevant application projects, technical updates and more.

[TB-S3A6 Kit page: http://renesassynergy.com/kits/tb-s3a6](http://renesassynergy.com/kits/tb-s3a6)

To learn more about Renesas Synergy™ Platform Tools & Kits, MCUs and more, visit us on the web at:
<http://www.renesassynergy.com/>

For technical support resources, including access to live chat with a Synergy Platform expert, visit:
<http://renesassynergy.com/support>

More information on specific Synergy resources can be found by following the link:

Synergy Kits - <https://www.renesas.com/en-us/products/synergy/tools-kits.html#kits>

Synergy Microcontrollers - <https://www.renesas.com/en-us/products/synergy/microcontrollers.html>

Synergy Software - <https://www.renesas.com/en-us/products/synergy/software.html>

Synergy Solutions - <https://www.renesas.com/en-us/products/synergy/solutions.html>

The Renesas Synergy Knowledge Base contains many useful articles for Synergy developers.

[Renesas Synergy Knowledge Base](#)

Please also visit our Professor IoT blog for technical articles on the latest additions to the Synergy platform:

[Professor IoT Blog](#)

For regional support resources, please visit the following websites:

- America: <https://www.renesas.com/en-us/support/contact.html>
- Europe: <https://www.renesas.com/en-eu/support/contact.html>
- Japan: <https://www.renesas.com/ja-jp/support/contact.html>

Revision History

Rev.	Date	Description	
		Page	Summary
1.00	Aug 23, 2017	-	Initial release
1.01	Dec 18, 2017	-	Graphics replaced.

Target Board S3A6 (TB-S3A6) User's Manual

Publication Date: Rev.1.01 Dec 18, 2017

Published by: Renesas Electronics Corporation

**SALES OFFICES****Renesas Electronics Corporation**<http://www.renesas.com>Refer to "<http://www.renesas.com/>" for the latest and detailed information.**Renesas Electronics America Inc.**2801 Scott Boulevard Santa Clara, CA 95050-2549, U.S.A.
Tel: +1-408-588-6000, Fax: +1-408-588-6130**Renesas Electronics Canada Limited**9251 Yonge Street, Suite 8309 Richmond Hill, Ontario Canada L4C 9T3
Tel: +1-905-237-2004**Renesas Electronics Europe Limited**Dukes Meadow, Millboard Road, Bourne End, Buckinghamshire, SL8 5FH, U.K
Tel: +44-1628-585-100, Fax: +44-1628-585-900**Renesas Electronics Europe GmbH**Arcadiastrasse 10, 40472 Düsseldorf, Germany
Tel: +49-211-6503-0, Fax: +49-211-6503-1327**Renesas Electronics (China) Co., Ltd.**Room 1709, Quantum Plaza, No.27 ZhiChunLu Haidian District, Beijing 100191, P.R.China
Tel: +86-10-8235-1155, Fax: +86-10-8235-7679**Renesas Electronics (Shanghai) Co., Ltd.**Unit 301, Tower A, Central Towers, 555 Langao Road, Putuo District, Shanghai, P. R. China 200333
Tel: +86-21-2226-0888, Fax: +86-21-2226-0999**Renesas Electronics Hong Kong Limited**Unit 1601-1611, 16/F., Tower 2, Grand Century Place, 193 Prince Edward Road West, Mongkok, Kowloon, Hong Kong
Tel: +852-2265-6688, Fax: +852 2886-9022**Renesas Electronics Taiwan Co., Ltd.**13F, No. 363, Fu Shing North Road, Taipei 10543, Taiwan
Tel: +886-2-8175-9600, Fax: +886 2-8175-9670**Renesas Electronics Singapore Pte. Ltd.**80 Bendemeer Road, Unit #06-02 Hyflux Innovation Centre, Singapore 339949
Tel: +65-6213-0200, Fax: +65-6213-0300**Renesas Electronics Malaysia Sdn.Bhd.**Unit 1207, Block B, Menara Amcorp, Amcorp Trade Centre, No. 18, Jln Persiaran Barat, 46050 Petaling Jaya, Selangor Darul Ehsan, Malaysia
Tel: +60-3-7955-9390, Fax: +60-3-7955-9510**Renesas Electronics India Pvt. Ltd.**No.777C, 100 Feet Road, HAL II Stage, Indiranagar, Bangalore, India
Tel: +91-80-67208700, Fax: +91-80-67208777**Renesas Electronics Korea Co., Ltd.**12F., 234 Teheran-ro, Gangnam-Gu, Seoul, 135-080, Korea
Tel: +82-2-558-3737, Fax: +82-2-558-5141

Renesas Synergy™ Platform Target Board S3A6 (TB-S3A6)

