

THIS DRAWING IS UNPUBLISHED. VERTRÄULICHE UNVERÖFFENTLICHTE ZEICHNUNG. RELEASED FOR PUBLICATION FREI FUER VERÖFFENTLICHUNG. 2014. MATED WITH: PASSEND ZU: -

© COPYRIGHT 2014 Tyco Electronics AMP GmbH. ALL RIGHTS RESERVED. ALLE RECHTE VORBEHALTEN.

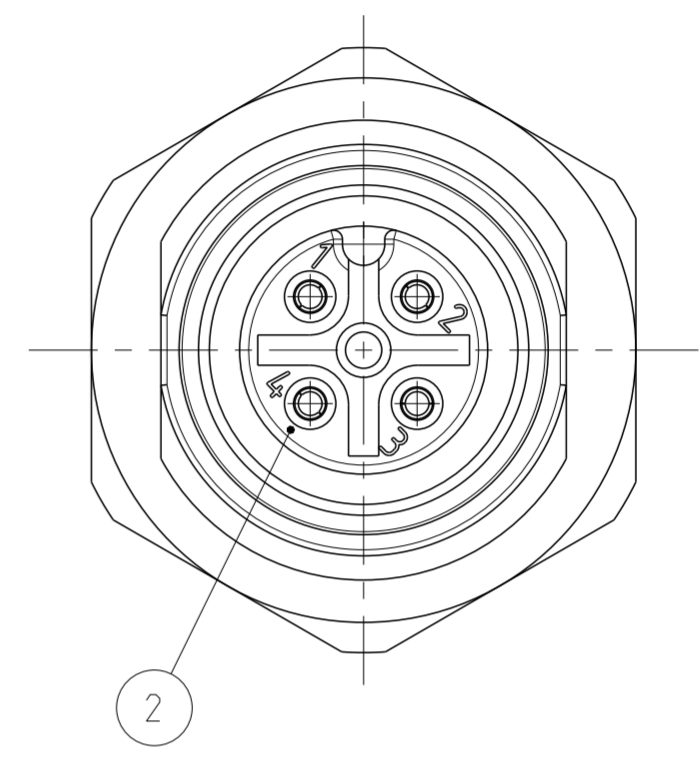
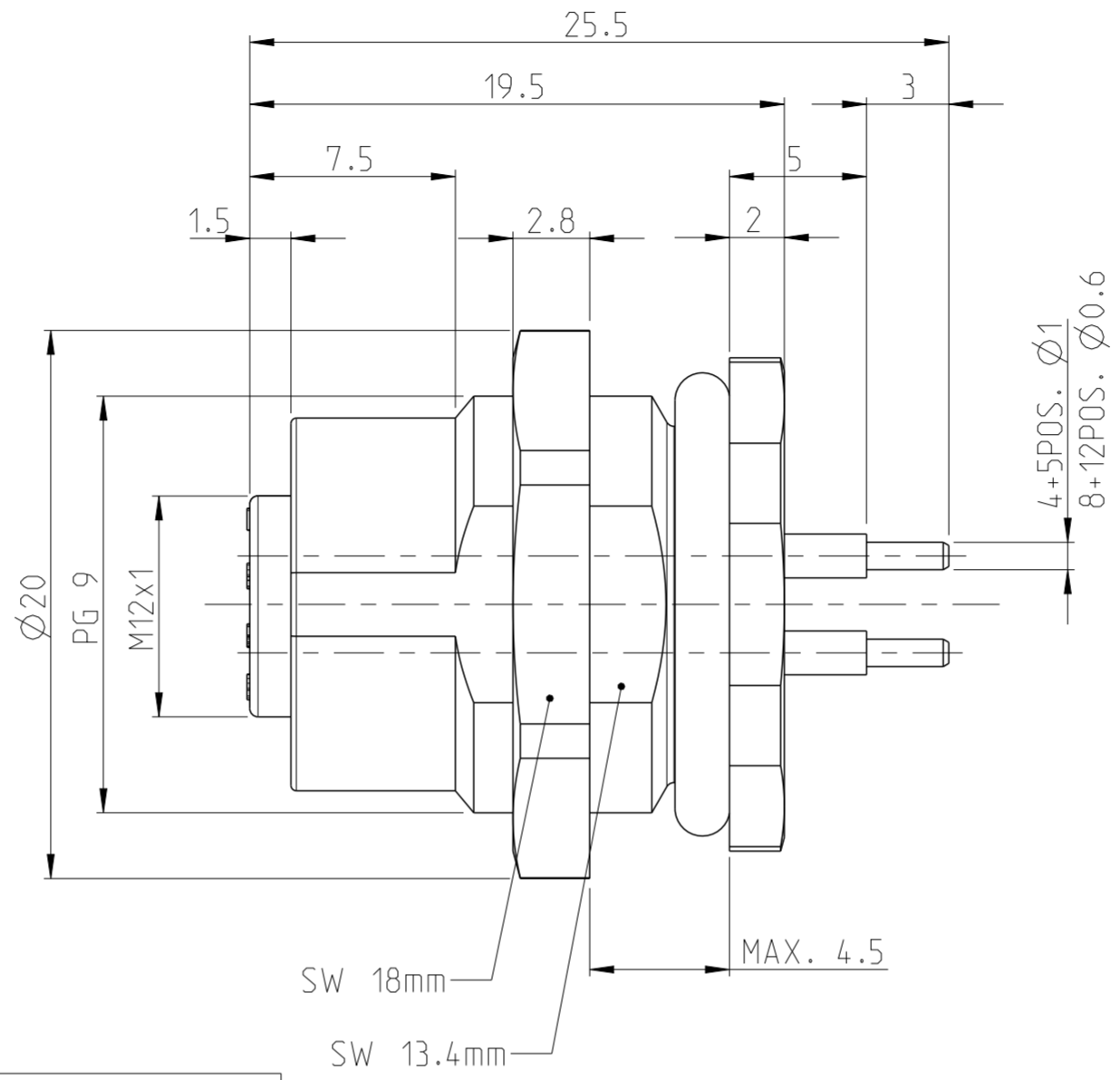
PROJEKT NR.: PRJ-14-00000805

| P | LTR | DESCRIPTION / BESCHREIBUNG | DATE | DWN | APVD |
|---|-----|-----------------------------|-----------|-----|------|
| | A2 | ADDED PCB LAYOUT IN DRAWING | 20AUG2014 | YR | MB |

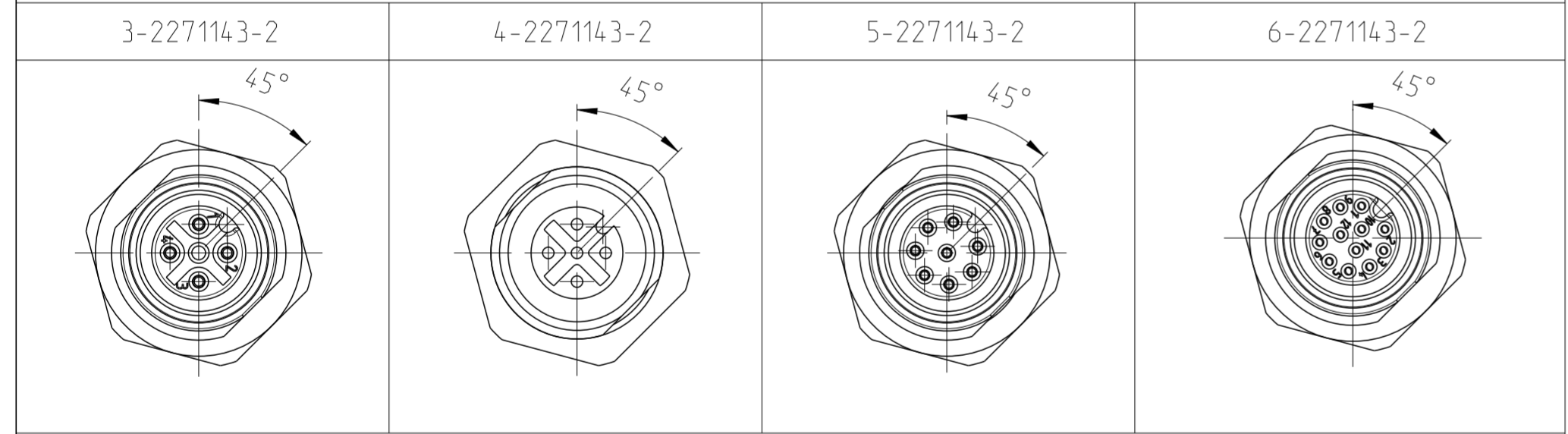
MATERIAL: ITEM NO. 1: HOUSING - ZINC DIECASTING, NICKEL PLATED
 ITEM NO. 2: CONTACT BODY - PA
 ITEM NO. 3: CONTACT - CuZn (BRONZE)
 CONTACT FINISH - Au (gold)

2 ALL DIMENSIONS ARE FOR NOMINAL REFERENCE ONLY UNLESS OTHERWISE STATED
 3 PACKAGING: 20 PIECE IN A BAG

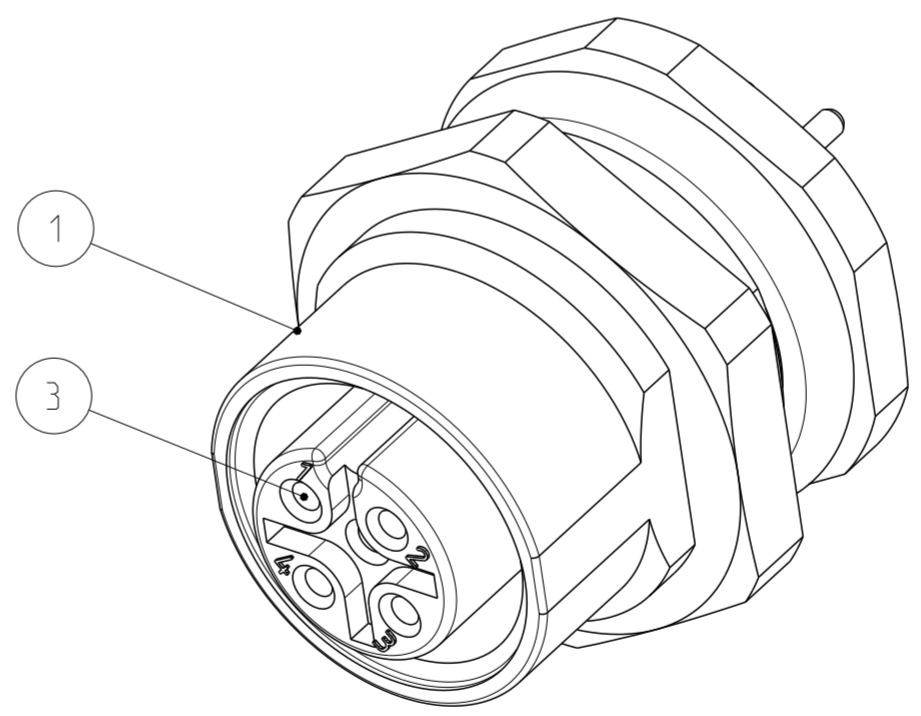
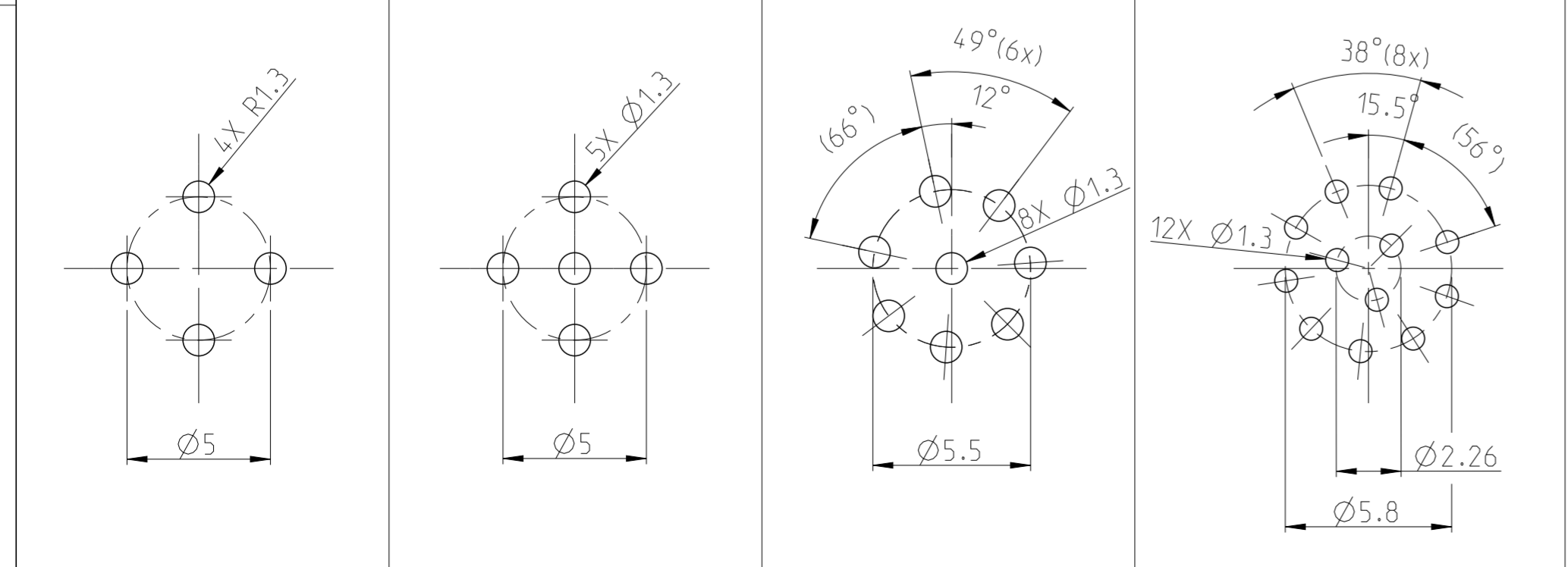
| TECHNICAL DATA | 3-2271143-2 | 4-2271143-2 | 5-2271143-2 | 6-2271143-2 |
|-----------------------|-------------|-------------|-------------|-------------|
| RATED VOLTAGE | 250V | 125V | 60V | 30V |
| RATED IMPULSE VOLTAGE | 2500V | 1500V | 800V | 500V |
| POLLUTION DEGREE | 3 | 3 | 3 | 3 |
| OVERVOLTAGE CATEGORY | II | II | II | II |
| MATERIAL GROUP | II | II | II | II |
| RATED CURRENT | 4A | 4A | 2A | 2A |
| VOLUME RESISTIVITY | ≤ 3mΩ | ≤ 3mΩ | ≤ 3mΩ | ≤ 3mΩ |
| DEGREE OF PROTECTION | IP68 | IP68 | IP68 | IP68 |
| UPPER TEMPERATURE | +85 °C | +85 °C | +85 °C | +85 °C |
| LOWER TEMPERATURE | -40 °C | -40 °C | -40 °C | -40 °C |



PIN ARRANGEMENT
A-CODING (SCALE 2:1)



PCB LAYOUT



SIZE ISO 14405 (E)

3-2 AS SHOWN
WIE GEZEICHNET

| | | | |
|-----------------------------|----------|-----------------|-------------|
| 24 / 0.25mm ² | ⚠ | 12 | 6-2271143-2 |
| 24 / 0.25mm ² | ⚠ | 8 | 5-2271143-2 |
| 24 / 0.25mm ² | ⚠ | 5 | 4-2271143-2 |
| 24 / 0.25mm ² | ⚠ | 4 | 3-2271143-2 |
| WIRES AWG / mm ² | MATERIAL | NUMBER OF POLES | TE-PART-NO. |

DIESE ZEICHNUNG IST EIN KONTROLLIERTES DOKUMENT. BEMASSUNGEN UND TOLERANZEN GEMAESS GPS (ISO STANDARDS). THIS DRAWING IS A CONTROLLED DOCUMENT. DIMENSIONING AND TOLERANCING PER GPS (ISO STANDARDS).

DWN: YASHKUMAR 15MAY2014
 CHK: M. STRELOW 15MAY2014
 APVD: C. SCHRETLINGER 15MAY2014

NAME: M12 RECEPTACLE, FEMALE, PCB MOUNT, PANEL REAR, STRAIGHT, A-CODED

PRODUCT SPEC: 108-19483
 APPLICATION SPEC: 114-32127

SIZE: A2 CAGE CODE: 00779 DRAWING NO: C-2271143

Customer Drawing / KUNDENZEICHNUNG SCALE: 4:1 SHEET: 1 OF 1 REV: A2

STE TE Connectivity