

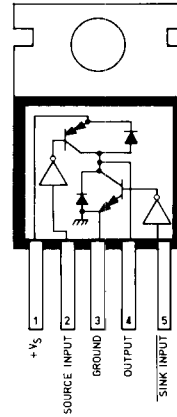
# HIGH-CURRENT HALF-BRIDGE POWER DRIVERS

## UDN2935Z AND UDN2950Z

### FEATURES

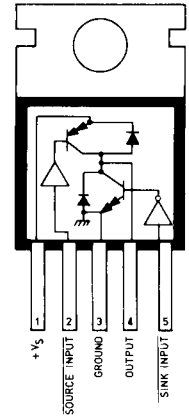
- 35 V Output Sustaining Voltage
- $\pm 2$  A Continuous Output Current
- Output Transient Protection
- Tri-State Outputs
- Logic Compatible Inputs
- Internal Thermal Shutdown

### UDN2950Z



Dwg. No. A-11,177

### UDN2935Z



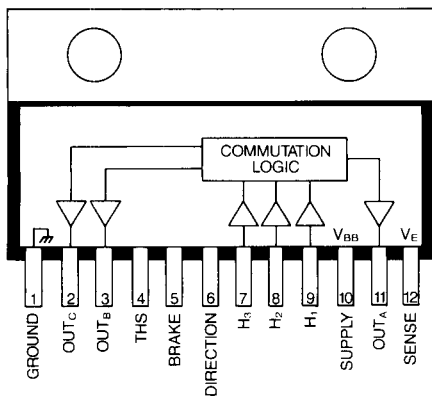
Dwg. No. A-12,116

# 3-PHASE BRUSHLESS DC MOTOR CONTROLLER/DRIVERS

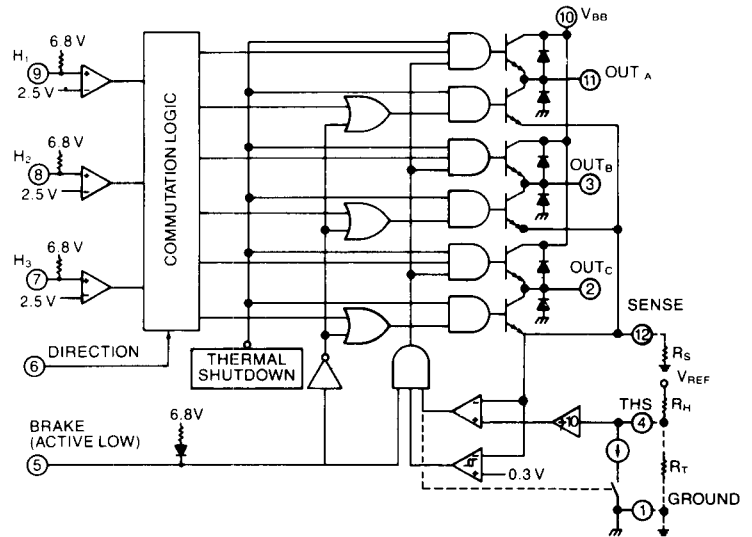
## UDN2936W/W-120

### FEATURES

- 10 to 45 V Operation
- $\pm 3$  A Peak Output Current
- Internal Clamp Diodes
- Internal PWM Current Control
- 60° Commutation Logic (UDN2936W) or 120° Commutation Logic (UDN2936W-120)
- Internal Thermal Shutdown Protection



Dwg. No. W-188



Dwg. No. W-190