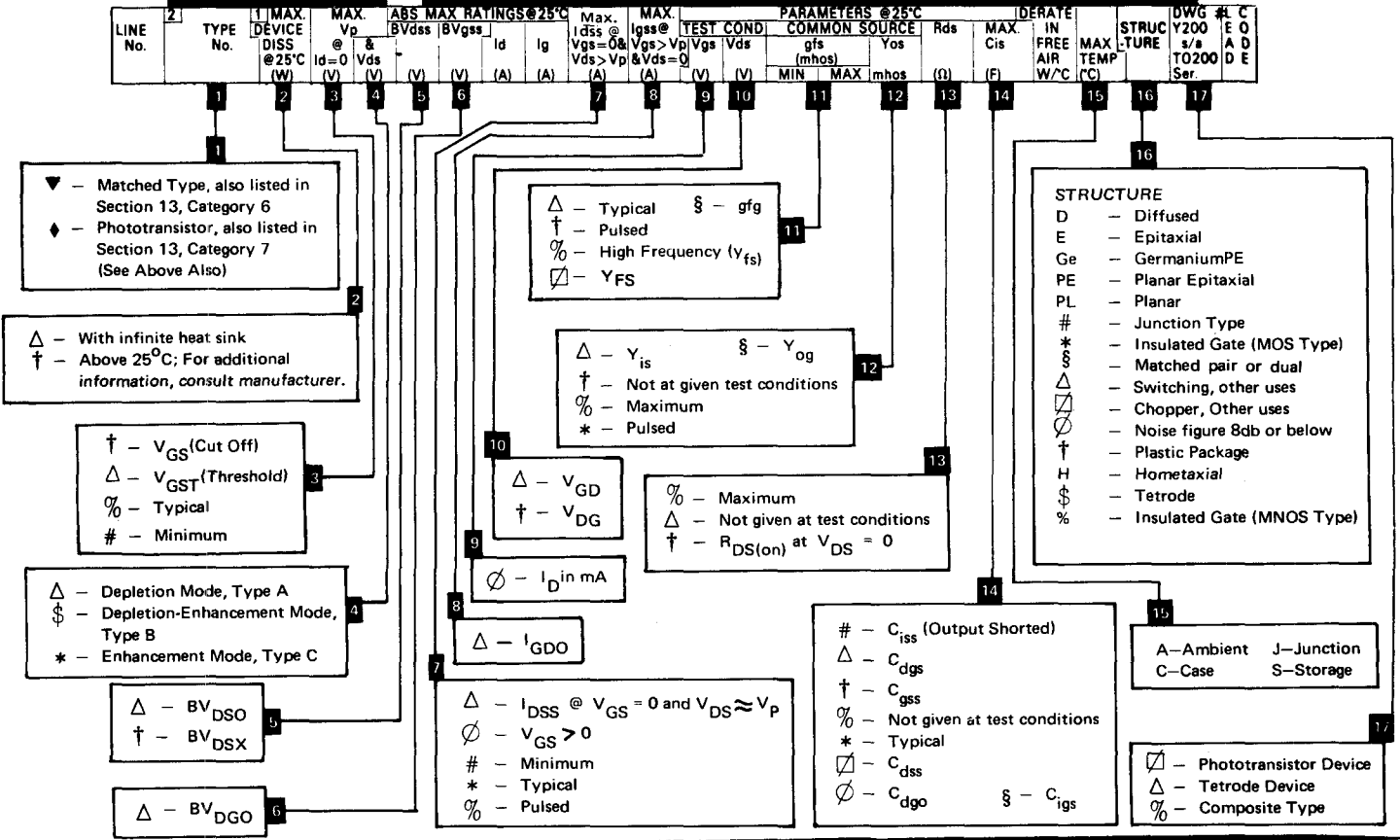
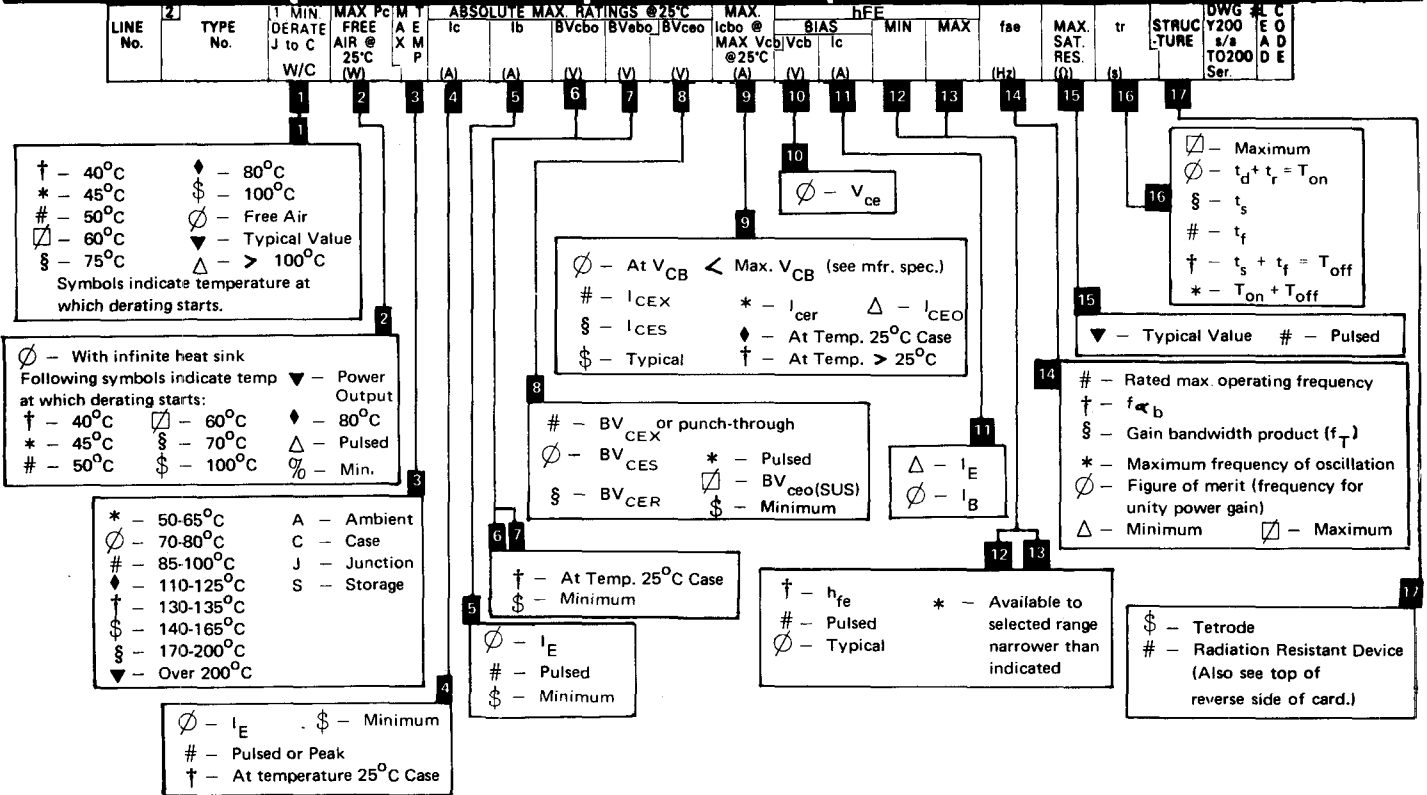


SYMBOLS & CODES EXPLAINED

6. "P" Channel 7. "N" Channel — SILICON FIELD EFFECT TRANSISTORS



8. GERMANIUM PNP 9. GERMANIUM NPN 10. SILICON PNP 11. SILICON NPN — High Power Transistors



# 8. GERMANIUM PNP - HIGH POWER TRANSISTORS

IN ORDER OF (1) MIN. DERATING FACTOR  
& (2) TYPE No.

LINE No.	TYPE No.	1 MIN. DERATE J TO C (W/°C)	MAX FREE AIR @ 25°C (W)	Pc	M T A X E M P	ABSOLUTE MAX. RATINGS @25°C					MAX. hFE		BIAS Vcb (V)	MIN (A)	MAX (A)	fae (Hz)	MAX. SAT. RES. (Ω)	tr (s)	STRUC-TURE	DWG Y200 s/a TO200 Ser.	# L E O D E	C O D E	
						Ic (A)	Ib (A)	BVcbo (V)	BVebo (V)	BVceo (V)	Icbo @ 25°C (A)	Vcb (V)											hFE (A)
1	B177	455m			#J	3.0				30		.50	150										
2	B178	455m			#J	3.0				30		.50	40										
3	B179	455m			#J	3.0				40		.50	25										
4	H5	455m			#J	3.5		80	28		2.0m	2.0	21	51		.30							
5	H6	455m			#J	3.5	50	80	28		2.0m	2.0	31	75		.30							
6	H7	455m			#J	3.5	50	80	28		2.0m	2.0	46	113		.30							
7	H45	455m			#J	3.5	50	80	28		2.0m	2.0	14	34	240k	.30	55u						
8	2N86	500m			#J	3.0	80	60	60		1.0m	4.5	25		200k	2.0							
9	2N234	500m	25		#J	3.0	150m			30	25	1.0m	25		8.0k								
10	2N235	500m			#J	3.0	.15			40		5.0	35			.80							
11	2N236	500m	25		#J	3.0	150m			40		1.0m	55			333m							
12	2N285	500m	25		#J	3.0	150m			40		1.0m	100			500m							
13	2N386	500m			#J	3.0		60		60		5.0	20		700k								
14	2N387	500m			#J	3.0		80		80		5.0	1.5		600k								
15	2N421	500m			#J	5.0	.50	85		45		1.5m	2.0	40	400k	.50	15u						
16	2N4631	500m			#	5.0	1.0	60	50	60		300u	2.0	20	4.0k	.80m	4.6u						
17	2N1433	500m			#J	3.5	.50	80	28	50		2.0m	2.0	20	50	200k	.75						
18	2N1434	500m			#J	3.5	.50	80	28	50		2.0m	2.0	20	50	200k	.50						
19	2N1435	500m			#J	3.5	.50	80	28	50		2.0m	2.0	20	30	200k	.30						
20#	2SB64	500m	25		#J	6.0	100	1.0	100	60		330u	1.5	34	160	1.0M							
21#	2SB69	500m	25		#J	6.0	60	1.0	60	60		330u	1.5	34	160	1.0M							
22#	2SB123	500m			#J	5.0	40	12				2.0m	1.5	50	250k	.09							
23#	2SB137	500m	30		#J	5.0	30	15	25			500u	1.5	30	250								
24#	2SB138	500m	30		#J	5.0	60	30	35			500u	1.5	30	250								
25#	2SB138A	500m	30		#J	5.0	80	30	40			500u	1.5	30	250								
26#	2SB138B	500m	30		#J	5.0	80	30	60			500u	1.5	30	250								
27#	2SB149	500m			#J	8.0	40	30				10m	1.5	60	250k	.50m							
28#	2SB231	500m			#J	6.0	1.0	120	1.0	120		5.0m	1.5	25	200	1.0M	.06	1.2u					
29#	2SB342	500m	30		#J	6.0	120	1.0	120	5.0		5.0m	1.5	25	250	1.0M	.06						
30#	2SB343	500m	30		#J	6.0	150	1.0	150	5.0		5.0m	1.5	25	250	1.0M	.06						
31#	2SB375	500m	30		#J	9.0	150	1.0	150	5.0		5.0m	1.5	25	250	1.0M	.06						
32#	2SB390	500m	30		#J	6.0	80	1.0	80	5.0		1.5	5.0	25	250	1.0M	.06						
33#	2SB391	500m	30		#J	6.0	50	1.0	50	5.0		1.5	5.0	25	350	1.0M	.06						
34#	2SB424	500m	30		#J	3.0	80	40	80	160u		1.5	1.0	34	80	300k							
35#	2SB425	500m	30		#J	7.0	60	12	60	160u		1.5	1.0	34	115	400k							
36#	2SB464	500m	30		#J	6.0	6.0	100	1.0	100		330u	1.5	30	170	1.6M	.60m						
37#	2SB465	500m	30		#J	6.0	6.0	1.0	60	330u		1.5	1.0	30	170	1.6M	.60m						
38#	147T1	500m			#J	3.0	60	30	40	1.0m		2.0	20	150	200k	130m							
39	A1392	500m	10		#J	10	155	4.0	150	60m		1.0	10	16									
40#	AD103	500m	23		#J	15	50	10	32	10m		500m	30	75	200k	30m	12u						
41#	AD104	500m	23		#J	10	65	20	45	10m		500m	28	70	200k	50m	12u						
42#	AD105	500m			#J	8.0	85		60	10m		500	25	40									
43#	AD166	500m	27		#J	5.0	60	1.0	40	1.0m		2.0	1.0	40	250	3.0M							
44#	AD167	500m	27		#J	5.0	75	1.5	50	1.0m		2.0	1.0	100	250	4.0M							
45#	AU1051	500m	27		#J	10	130	1.0	60	500u		2.0	5.0	50	200	5.0M		900n					
46	B113	500m			#J	5.0			80			4.0											
47	B114	500m			#J	3.0				40		.75											
48	B121	500m			#J	3.0				30		.50											
49	B1017	500m			#J	3.0				20			25										
50	B1085	500m			#	10		120	1.5	120		10m	5.0	40	1.5M	.15							
51	B10064	500m	10		#J	4.0	1.0			3.0		5.0m	2.0	10	15								
52	B10069	500m	10		#J	4.0	1.0			3.0		5.0m	2.0	10	15								
53	B10474	500m	40		#J	10		60		40		2.0m	1.0	50	400								
54#	CTP1104	500m			#J	3.0		40	10	30		2.0m	2.0	10		4.0k							
55#	GET571	500m			#J	12	2.0	16	6.0	16		2.0m	5.0	12	8.0	25	350k	.40					
56#	GET572	500m			#J	12	8.0	32	12	32		2.0m	5.0	12	8.0	25	350k	.40					
57#	GET573	500m			#J	12	2.0	64	12	40		2.0m	5.0	12	8.0	25	350k	.40					
58#	GET574	500m			#J	12	2.0	32	12	32		2.0m	2.0	1.0	40	350k	.40						
59#	GET581	500m			#J	6.0		80	40	60		1.0	6.0	15	30								
60#	GET582	500m			#J	6.0		80	40	32		1.0	6.0	20	65								
61#	GET583	500m			#J	6.0		80	20	32		1.0	6.0	20	45								
62#	GET584	500m			#J	6.0		60	20	32		1.0	6.0	35	80								
63#	GET585	500m			#J	4.0		40	10	40		1.0	4.0	12									
64#	GET586	500m			#J	3.0		32	10	30		1.0	3.0	15	50								
65	KL8010	500m	1.7		#A	10	3.0	60	30	35		2.0m	2.0	10	30	800k	100m						
66	KL8011	500m	1.7		#A	10	3.0	60	30	35		2.0m	2.0	10	60	800k	83m						
67	KL8012	500m	1.7		#A	10	3.0	100	30	50		2.0m	2.0	10	30	800k	100m						
68	KL8013	500m	1.7		#A	10	3.0	100	30	50		2.0m	2.0	10	60	800k	83m						
69	KR6500	500m	42		#	10	3.0	60	30	50		2.0m	2.0	5.0	50								
70	KR6501	500m	42		#	10	3.0	60	30	50		2.0m	2.0	5.0	100								
71	KR6502	500m	42		#	10	3.0	100	30	65		2.0m	2.0	5.0	50								
72	KR6503	500m	42		#	10	3.0	100	30	65		2.0m	2.0	5.0	100								
73	LT5052	500m			#J	4.5	.60	30	15	30		2.0m	2.0	.75	30	100k	1.0						
74	LT5053	500m			#J	4.5	.60	30	15	30		2.0m	2.0	.75	30	100k	1.0						
75	LT5054	500m			#J	4.5	.60	30	15	30		2.0m	2.0	.75	30	100k	1.0						
76	LT5056	500m			#J	4.5	.60	30	15	30		2.0m	2.0	.75	60	100k	1.0						
77	LT5056	500m			#J	4.5	.60	30	15	30		2.0m	2.0	.75	60	100k	1.0						
78	LT5057	500m			#J	4.5	.60	30	15	30		2.0m	2.0	.75	60	100k	1.0						
79	LT5058	500m			#J	4.5	.60	30	15	30		2											