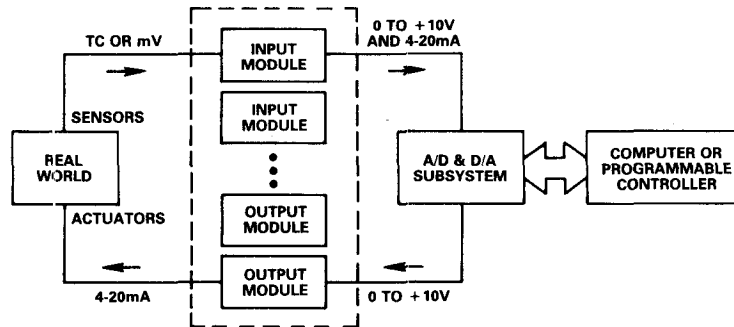


3B Series I/O Subsystems



Input Module Selection

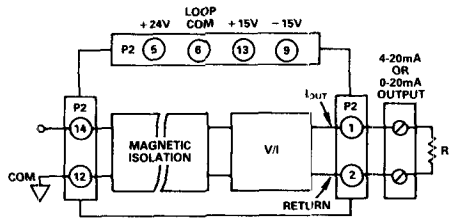
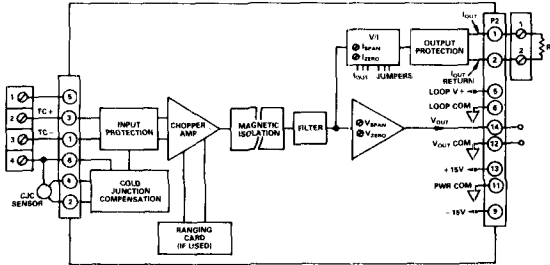
Input Type/Span	Voltage Output	Current Output	Nonisolated Modules	Isolated Modules
dc, $\pm 10\text{mV}$, $\pm 50\text{mV}$, $\pm 100\text{mV}$	$\pm 10\text{V}$	4-20mA/0-20mA	3B10	3B30
dc, $\pm 1\text{V}$, $\pm 5\text{V}$	$\pm 10\text{V}$	4-20mA/0-20mA	3B10	3B31
dc, $\pm 10\text{V}$	$\pm 10\text{V}$	4-20mA/0-20mA	3B11	3B31
dc, 4-20mA, 0-20mA	0 to +10V	4-20mA/0-20mA	3B12	3B32
Thermocouple Types J, K, T, E, R, S, B	0 to +10V	4-20mA/0-20mA		3B37
100 Ω Platinum RTD, 2-, 3-, 4-Wire $\alpha = 0.00385$ (linearized)	0 to +10V	4-20mA/0-20mA	3B14	3B34
100 Ω Platinum RTD, Kelvin 4-Wire $\alpha = 0.00385$ (linearized)	0 to +10V	4-20mA/0-20mA	3B15	
Strain Gage $\pm 30\text{mV}$, $\pm 100\text{mV}$	$\pm 10\text{V}$	4-20mA/0-20mA	3B16	
AD590/AD592/AC2626 Solid State Temperature Transducer	0 to +10V	4-20mA/0-20mA	3B13	
Wideband Strain Gage	$\pm 10\text{V}$	4-20mA/0-20mA	3B18	
Wideband mV, V	$\pm 10\text{V}$	4-20mA/0-20mA		3B40/1
AC Input	0 to +10V	4-20mA/0-20mA		3B42/3/4
Frequency Input	0 to +10V	4-20mA/0-20mA		3B45/6

Output Module Selection

Input Type/Span	Current Output	Nonisolated Modules	Isolated Modules
0 to +10V, $\pm 10\text{V}$	4-20mA/0-20mA	3B19	3B39

Selection Guide Signal Conditioners

3B Series I/O Subsystems



Input Modules

Wide Variety of Sensor Inputs: Thermocouples, RTD's, Strain Gages, AD590/AD592/AC2626
Dual High Level Outputs
Voltage: 0 to +10V or $\pm 10V$
Current: 4-20mA/0-20mA
Mix and Match Input Capability
Sensor Signals, mV, V, 4-20mA, 0-20mA
High Accuracy: $\pm 0.1\%$
High Noise Rejection and RF/EMI Immunity
Reliable Transformer Isolation: $\pm 1500V$ CMV
Meets IEEE-STD 472: Transient Protection (SWC)
Input Protection: 130V or 220V rms Continuous

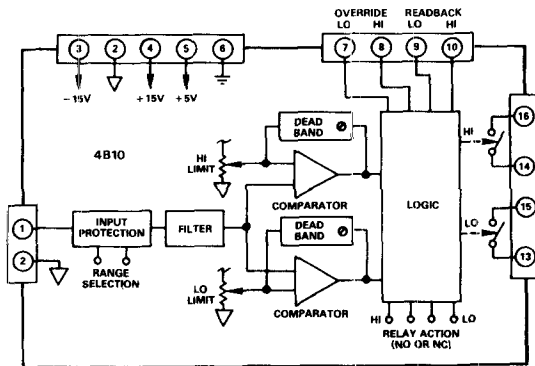
Page
Vol. II
9-65

Output Modules

High Level Voltage Input: (0 to +10V, $\pm 10V$)
Process Current Output: (4-20mA/0-20mA)
High Accuracy: $\pm 0.1\%$
Reliable Transformer Isolation: $\pm 1500V$ CMV,
CMR = 90dB
Meets IEEE-STD 472: Transient Protection (SWC)
Output Protection: 130V or 220V rms Continuous

Vol. II
9-65

4B Series Alarm Limit Subsystem



Features/Benefits

Low Cost, Completely Integrated 12-Channel Modular Alarm Limit Subsystem
Selection of Alarm Limit Modules
Rugged Industrial Chassis, Rack or Surface Mounted
On-Board Power Supplies Available
Alarm Modules Accept High Level Voltage and Process Current Inputs
Complete Alarm Function per Module
High Accuracy of $\pm 0.1\%$
Two Set Points, Adjustable Over 100% Span
Dead Band Adjustment per Set Point, Adjustable Over 0.5%–10.0% Span
Alarm Types are Configurable for HI or LO Operation
Two Relay Outputs
Display Indicates Set Points and Process Variable
LED per Set Point Provides Local Alarm Indication
Input Protection
High RF/EMI Immunity
Specifications Valid Over the 0 to +70°C Temperature Range
Easy to Install Calibrate and Service

Vol. II
9-69

FEATURES

- Low Cost, Completely Integrated 16-Channel Modular Signal Conditioning Subsystem**
- Wide Selection of Functionally Complete Input and Output Plug-In Modules,**
- Rugged Industrial Chassis, Rack or Surface Mounted**
- On-Board Power Supplies Available**
- Analog Input Modules Available for Direct Interface to a Wide Variety of Signal Sources**
 - Thermocouples, RTDs, Strain Gages,**
 - Millivolt and Voltage Sources,**
 - 4-20mA/0-20mA Process Current Inputs**
- Current Output Modules**
 - 4-20mA/0-20mA Outputs**
- Complete Signal Conditioning Function**
 - Input Protection, Filtering, Amplification,**
 - Galvanic Isolation to $\pm 1500V$,**
 - Wide-Range Zero Suppression,**
 - High Noise Rejection and RF/EMI Immunity,**
 - Simultaneous Voltage and Current Outputs**

GENERAL DESCRIPTION

The 3B Series Signal Conditioning I/O Subsystem provides a low cost, versatile method of interconnecting real world analog signals to a data acquisition, monitoring or control system. It is designed to interface directly to analog signals such as thermocouple, RTD, Strain Gage, or AD590/AC2626 solid state temperature sensor outputs or millivolt or process current signals and convert the inputs to standardized analog outputs compatible with high level analog I/O subsystems.

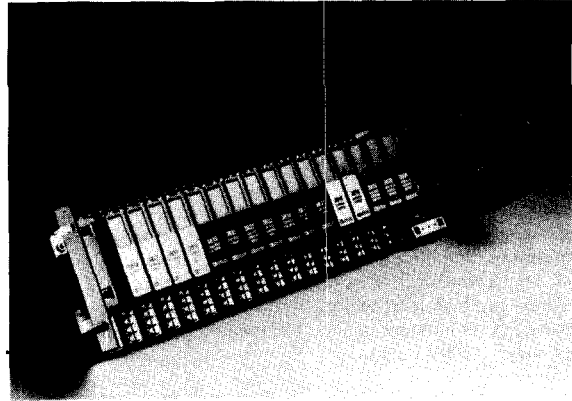
The 3B Series Subsystem consists of a 19" relay rack compatible universal mounting backplane and a family of plug in (up to 16 per rack) input and output signal conditioning modules. Eight and four channel backplanes are also available. Each backplane incorporates screw terminals for sensor inputs and current outputs and a connector for high level single ended outputs to the user's equipment.

The input and output modules are offered in both isolated ($\pm 1500V$ peak) and nonisolated versions. The input modules feature complete signal conditioning circuitry optimized for specific sensors or analog signals and provide high level analog outputs. Each input module provides two simultaneous outputs: 0 to 10V (or $\pm 10V$) and 4-20mA (or 0-20mA). Output modules accept high level single ended signals and provide an isolated or nonisolated 4-20mA (or 0-20mA) process signal. All modules feature a universal pin-out and may be readily "mixed and matched" and interchanged without disrupting field wiring.

Each backplane contains the provision for a subsystem power supply. The 3B Series Subsystem can operate from a dc/dc converter or ac power supply mounted on each backplane or from externally provided dc power. Two LEDs are used to indicate that power is being applied.

APPLICATIONS

The Analog Devices 3B Series Signal Conditioning Subsystem is designed to provide an easy and convenient solution to signal



conditioning problems in measurement and control applications. Some typical uses are in mini- and microcomputer based systems, standard data acquisition systems, programmable controllers, analog recorders, dedicated control systems, and any other applications where monitoring and control of temperature, pressure, flow, and analog signals are required. Since each input module features two simultaneous outputs, the voltage output can be used to provide an input to a microprocessor based data acquisition or control system while the current output can be used for analog transmission, operator interface, or an analog backup system.

DESIGN FEATURES AND USER BENEFITS

Ease of Use: Direct sensor interface via screw terminals, standardized high level outputs, factory precalibration of each unit and the modular design make the 3B Series Subsystem extremely easy to use. The subsystem features rugged packaging for the industrial environment and can be easily installed and maintained.

High Protection and Reliability: All field wired terminations offer 130V or 220V rms normal mode protection. To assure connection reliability, gold plated pin and socket connections are used throughout the system. The isolated modules offer protection against high common mode voltages and are designed to meet the IEEE Standard for Transient Voltage Protection (472-1974: SWC).

High Performance: The high quality signal conditioning features $\pm 0.1\%$ calibration accuracy and chopper-based amplification which assures low drift ($\pm 1\mu V/^\circ C$) and excellent long term stability. For thermocouple applications, high accuracy cold junction sensing is provided in the backplane on each channel. Low drift sensor excitation is provided for RTD and strain gage models. For RTD models, the input signal is linearized to provide an output which is linear with temperature.

This four-page data summary contains key specifications to speed your selection of the proper solution for your application. Additional information on this product can be obtained from your local sales office.

FEATURES

Wide Variety of Sensor Inputs

Thermocouples, RTDs, Strain Gages, AD590/AC2626

Dual High Level Outputs

Voltage: 0 to +10V or $\pm 10V$

Current: 4-20mA/0-20mA

Mix and Match Input Capability

Sensor Signals, mV, V, 4-20mA, 0-20mA

High Accuracy: $\pm 0.1\%$

Low Drift: $\pm 1\mu V/^\circ C$

Reliable Transformer Isolation:

$\pm 1500V$ CMV, CMR = 160dB

Meets IEEE-STD 472: Transient Protection (SWC)

Input Protection: 130V or 220V rms Continuous

Low Cost Per Channel

GENERAL DESCRIPTION

Each input module is a single channel signal conditioner that plugs into sockets on the backplane and accepts its signal from the input screw terminals. All input modules provide input protection, amplification and filtering of the input signal, accuracy of $\pm 0.1\%$, low drift of $1\mu V/^\circ C$ (low level input modules), and feature two high level analog outputs that are compatible with most process instrumentation. The isolated input modules also provide $\pm 1500V$ isolation.

THERMOCOUPLE INPUT MODEL 3B37

The isolated thermocouple models incorporate cold junction compensation circuitry which provides an accuracy of $\pm 0.5^\circ C$ over the $+5^\circ C$ to $+45^\circ C$ ambient temperature range. Open thermocouple detection (upscale) is also provided with the thermocouple models. Standard models are available with factory calibration for thermocouple types J, K, T, E, R, S and B. However, if another thermocouple type or a special range is desired, the 3B37-X-00 and ranging card, AC1310, can be used to satisfy the requirement. All screw terminal connections have at least 130V rms protection.

RTD INPUT MODELS 3B14, 3B15, 3B34

Each RTD model provides a sensor excitation current of 0.25mA and produces an output signal that is linear with temperature with a conformity error of $\pm 0.05\%$ of span and accuracy of $\pm 0.1\%$ span. The lead resistance effect for the three models is $\pm 0.02^\circ C/\Omega$ for the 3B14 and the 3B34, and $\pm .00001^\circ C/\Omega$ for the 3B15. All excitation input and output screw terminal connections have at least 130V rms protection.

STRAIN GAGE INPUT MODEL 3B16

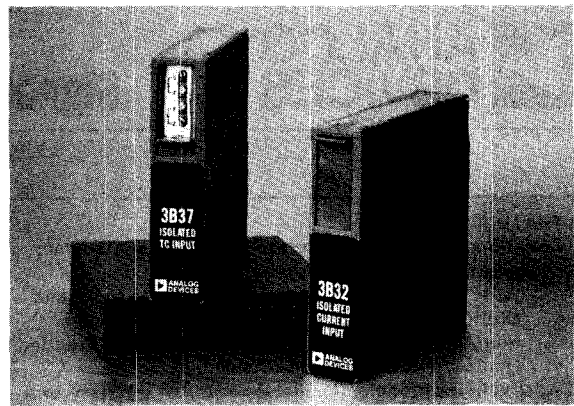
Model 3B16 is designed to accept inputs from full four arm bridge strain gage-type transducers. The 3B16 provides a constant +10V bridge excitation and can be used with a bridge resistance of 300 Ω or greater. All excitation input and output screw terminal connections have 130V rms protection.

WIDEBAND STRAIN GAGE MODEL 3B18

Model 3B18 is designed to accept inputs from full four arm bridge strain gage-type transducers. The 3B18 provides a switch selectable excitation of +3.3V or +10.0V and can be used with 100 Ω to 1000 Ω strain gage bridges. The module has a 20kHz bandwidth to interface to dynamic signals.

MILLIVOLT AND VOLTAGE INPUT MODELS 3B10, 3B11, 3B30, 3B31

Models 3B10 and 3B11 are nonisolated modules that accept



The choice of a specific 3B module depends on the type of input signal and also whether an isolated or nonisolated interface is required. Input modules are available to accept millivolt, volt, process current, thermocouple, RTD, strain gage, and AD590 inputs. The voltage output of each module is available from the voltage I/O connector while the current output is available on the output screw terminals.

millivolt and voltage signals respectively. Models 3B30 and 3B31 are isolated modules that accept millivolt and voltage signals respectively. All screw terminal connections have at least 130V rms protection.

WIDEBAND MILLIVOLT AND VOLT INPUT MODELS 3B40, 3B41

Models 3B40 and 3B41 are isolated modules that accept millivolt and voltage signals respectively. The modules have a 10kHz bandwidth to interface to dynamic signals. All screw terminal connections have at least 130V rms protection.

CURRENT INPUT MODELS 3B12, 3B32

Models 3B12 and 3B32 are nonisolated and isolated modules respectively that accept process current signals. Both models use a 100 Ω sensing resistor that is mounted on backplane terminals 2 and 3. All screw terminal connections have at least 130V rms protection.

AD590 INPUT MODEL 3B13

Model 3B13 accepts an AD590 as its input signal. Sensor excitation is provided and a 2k Ω sensing resistor is mounted on backplane terminals 2 and 3. All excitation input and output screw terminal connections have 130V rms protection.

AC INPUT MODELS 3B42, 3B43, 3B44

Models 3B42, 3B43 and 3B44 are designed to accept ac signals from 20mV to 450V rms. The modules are rms calibrated for sinusoidal inputs, such as ac power lines. All screw terminal connections have at least 130V rms protection.

FREQUENCY INPUT MODELS 3B45, 3B46

Preliminary models 3B45 and 3B46 are designed to accept frequency input signals from 25Hz to 25kHz. User selectable thresholds of 1.6V and 0V (for zero crossing) are available. All screw terminal connections have at least 130V rms protection.

Output Modules

FEATURES

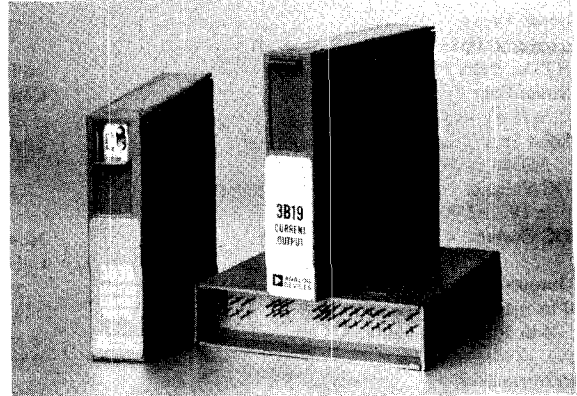
High Level Voltage Input (0 to +10V, $\pm 10V$)
Process Current Output (4-20mA/0-20mA)
High Accuracy: $\pm 0.1\%$
Reliable Transformer Isolation: $\pm 1500V$ CMV, CMR = 90dB
Meets IEEE-STD 472: Transient Protection (SWC)
Output Protection: 130V or 220V rms Continuous
Reliable Pin and Socket Connections
Low Cost Per Channel

GENERAL DESCRIPTION

Each output module accepts a high level analog signal from the system connector and provides a current output on the output screw terminals. When a +24V loop supply is used, loads up to 850 Ω can be driven. If desired, +15V can be used to power the output modules with a smaller load (up to 400 Ω). Each output module features high accuracy of $\pm 0.1\%$. If isolation is required, the 3B39 provides $\pm 1500V$ peak common mode voltage isolation protection.

NONISOLATED OUTPUT MODEL 3B19

The 3B19 output module accepts a 0 to +10V or $\pm 10V$ input signal and converts it to a proportional current output. Output



ranges are jumper selectable for either 0 to 20mA or 4 to 20mA. The current output is protected to 130V rms continuous.

ISOLATED OUTPUT MODEL 3B39

Model 3B39 is an isolated module that accepts a 0 to +10V or $\pm 10V$ input signal and converts it to a proportional current output. Output ranges are jumper selectable for either 0 to 20mA or 4 to 20mA. Input to output isolation is rated to 1500V pk continuous.

9

Backplanes

FEATURE

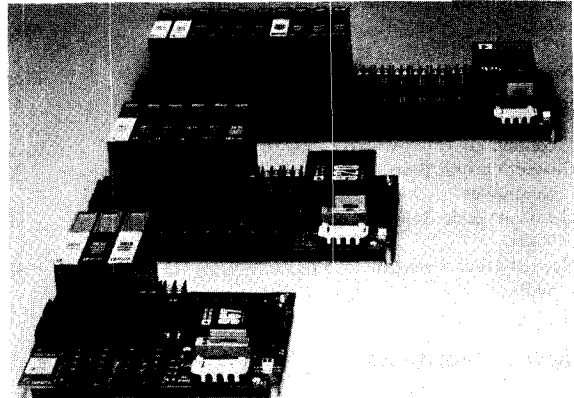
4, 8, or 16-Channel Versions Available
ac or dc Power Supply Options

GENERAL DESCRIPTION

The three backplane models, 3B01, 3B02 and 3B03 are designed for 16, 8 and 4 channels, respectively, to give users the flexibility to match the size of a system to specific applications. The sixteen channel backplane can be mounted in a 19" \times 5.25" panel space. The backplanes can be surface mounted, mounted on a rack or mounted in a NEMA enclosure.

POWER SUPPLY

The 3B Series Subsystem can operate from a common ac power supply or dc/dc (+24V input) power supply mounted on the backplane or an externally provided $\pm 15V$ and +24V supply. The power supply is bussed to all signal conditioners in the system. The current consumption is a function of the modules that are actually used.



3B Series Subsystem Specifications

INPUT MODULES

Input Types

Thermocouples: J, K, T, E, R, S, B

RTDs: 100Ω Platinum (linearized)

Strain Gage Transducers:

±30mV and ±100mV spans

Solid State Temperature Transducers:

AD590 or AC2626

DC Voltage: ±10mV, ±50mV, ±100mV

±1V, ±5V, ±10V

DC Current: 4 to 20mA, 0 to 20mA

Outputs (Simultaneous)

0 to +10V or ±10V and

4 to 20mA or 0 to 20mA

Performance

Accuracy: ±0.1% of span

Nonlinearity: ±0.01% of span

Bandwidth: 3Hz (-3dB)

Isolated Modules

Common Mode Voltage,

Input to Output: ±1500V pk continuous

Transient Protection: Meets IEEE-Std 472 (SWC)

Normal Mode Input Protection: 220V rms

continuous

Current Output Protection: 130V rms

continuous

Common Mode Rejection @ 50Hz or 60Hz:

160dB

Normal Mode Rejection @ 50Hz or 60Hz:

60dB

Nonisolated Modules

Common Mode Voltage: ±6.5V

Normal Mode Input Protection: 130V rms

continuous

Current Output Protection: 130V rms

continuous

Common Mode Rejection @ 50Hz or 60Hz:

90dB

Normal Mode Rejection @ 50Hz or 60Hz:

60dB

OUTPUT MODULES

Input

0 to +10V or ±10V

Output

4 to 20mA or 0 to 20mA

Performance

Accuracy: ±0.1% of span

Nonlinearity: ±0.01% of span

Isolated Module

Common Mode Voltage,

Input to Output: ±1500V pk continuous

Current Output Protection

Transient: Meets IEEE-Std 472 (SWC)

Continuous: 220V rms

Nonisolated Module

Current Output Protection: 130V rms

continuous

BACKPLANES

Channel Capacity

3B01: 16 channels

3B02: 8 channels

3B03: 4 channels

POWER SUPPLIES

Backplane Mounted:

100, 115, 220, 240V ac, 50/60Hz

or +24V dc

External Power Option

±15V dc and +24V dc

MECHANICAL

Input or Output Modules:

3.150" × 0.775" × 3.395"

(80.0mm × 19.7mm × 86.2mm)

Backplanes:

3B01: 17.40" × 5.20" × 4.37"

(442.0mm × 132.1mm × 111.1mm)

3B02: 11.00" × 5.20" × 4.37"

(279.4mm × 132.1mm × 111.1mm)

3B03: 7.80" × 5.20" × 4.37"

(198.1mm × 132.1mm × 111.1mm)

ENVIRONMENTAL

Temperature Range, Rated Performance:

-25°C to +85°C

Storage Temperature Range:

-55°C to +85°C

Relative Humidity: Conforms to MIL-STD 202,

Method 103

RFI Susceptibility: ±0.5% span error,

5W @ 400MHz @ 3 ft.

Specifications subject to change without notice.