

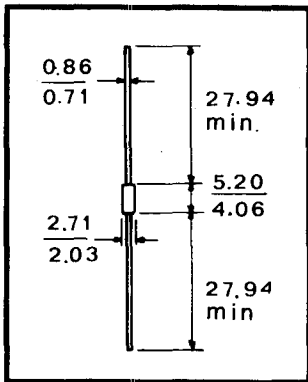


GLASS PASSIVATED PLASTIC RECTIFIERS REDRESSEURS EN VERRE PASSIVE
BOITIER PLASTIQUE GLASSPASSIVIERTE GLEICHRICHTER IN PLASTIKGEHÄUSE

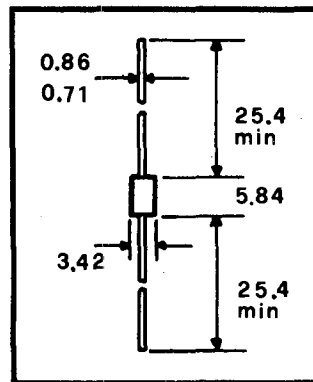
SUPERECTIFIER™

SUPERECTIFIER™

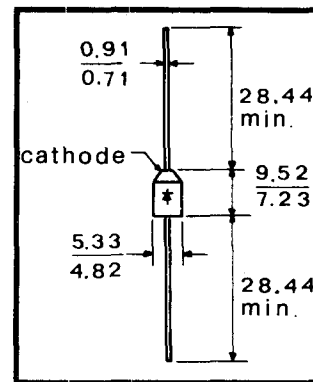
SUPERECTIFIER™



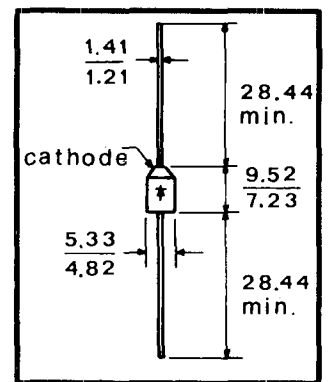
DO 41



DO 15



DO 27



DO 27A

MINIATURE GLASS PASSIVATED JUNCTION PLASTIC RECTIFIER 1 AMP (CASE DO 41)

$T_{oper} = -65^{\circ} + 175^{\circ}C$

Type Types Typen	V_{RRM} (V)	I_o For R & L Load		I_{FSM} (A)	$I_R^{(1)}$ (μA)	V_{FM} at 25°C (V)
		(A)	$T_A = ^{\circ}C$			
1N 4001GP	50	1.0	75	30	5.0	1.1 @ 1.0 A
1N 4002GP	100	1.0	75	30	5.0	1.1 @ 1.0 A
1N 4003GP	200	1.0	75	30	5.0	1.1 @ 1.0 A
1N 4004GP	400	1.0	75	30	5.0	1.1 @ 1.0 A
1N 4005GP	600	1.0	75	30	5.0	1.1 @ 1.0 A
1N 4006GP	800	1.0	75	30	5.0	1.2 @ 1.0 A
1N 4007GP	1000	1.0	75	30	5.0	1.2 @ 1.0 A

MINIATURE GLASS PASSIVATED JUNCTION PLASTIC RECTIFIER 1.5 AMP (CASE DO 15)

$T_{oper} = -65^{\circ} + 175^{\circ}C$

GP 15A	50	1.5	55	50	5.0	1.1 @ 1.5 A
GP 15B	100	1.5	55	50	5.0	1.1 @ 1.5 A
GP 15D	200	1.5	55	50	5.0	1.1 @ 1.5 A
GP 15G	400	1.5	55	50	5.0	1.1 @ 1.5 A
GP 15J	600	1.5	55	50	5.0	1.1 @ 1.5 A
GP 15K	800	1.5	55	50	5.0	1.1 @ 1.5 A
GP 15M	1000	1.5	55	50	5.0	1.1 @ 1.5 A

GLASS PASSIVATED JUNCTION PLASTIC RECTIFIER 2 AMP (CASE DO 27)

$T_{oper} = -65^{\circ} + 175^{\circ}C$

GP 20A	50	2.0	55	65	5.0	1.2 @ 2.0 A
GP 20B	100	2.0	55	65	5.0	1.2 @ 2.0 A
GP 20D	200	2.0	55	65	5.0	1.2 @ 2.0 A
GP 20G	400	2.0	55	65	5.0	1.2 @ 2.0 A
GP 20J	600	2.0	55	65	5.0	1.2 @ 2.0 A
GP 20K	800	2.0	55	65	5.0	1.2 @ 2.0 A
GP 20M	1000	2.0	55	65	5.0	1.2 @ 2.0 A
BY 127	1250	2.0	55	65	5.0	1.2 @ 2.0 A

GLASS PASSIVATED JUNCTION PLASTIC RECTIFIER 2.5 AMP (CASE DO 27A)

$T_{oper} = -65^{\circ} + 175^{\circ}C$

GP 25A	50	2.5	55	100	5.0	1.2 @ 2.5 A
GP 25B	100	2.5	55	100	5.0	1.2 @ 2.5 A
GP 25D	200	2.5	55	100	5.0	1.1 @ 2.5 A
GP 25G	400	2.5	55	100	5.0	1.1 @ 2.5 A
GP 25J	600	2.5	55	100	5.0	1.1 @ 2.5 A
GP 25K	800	2.5	55	100	5.0	1.1 @ 2.5 A
GP 25M	1000	2.5	55	100	5.0	1.1 @ 2.5 A

1) Measured at 25°C at specified V_{RRM} .

1) Mesuré à 25°C V_{RRM} nominal.

1) Gemessen bei 25°C und der angegebenen Sperrspannung V_{RRM} .