

# 7.6 mm (0.3 inch)/10.9 mm (0.43 inch) Seven Segment Displays

## Technical Data

**5082-761x Series**  
**5082-762x Series**  
**5082-765x Series**  
**5082-766x Series**  
**HDSP-360x Series**  
**HDSP-460x Series**  
**HDSP-E15x Series**

### Features

- **Industry Standard Size**
- **Industry Standard Pinout**  
7.62 mm (0.300 inch) DIP Leads on 2.54 mm (0.100 inch) Centers
- **Choice of Colors**  
AlGaAs Red, High Efficiency Red, Yellow, Green
- **Excellent Appearance**  
Evenly Lighted Segments  
± 50° Viewing Angle  
Optimum Contrast Given by  
Gray Top Surface for AlGaAs Red and Green Devices  
Red Top Surface for HER Devices  
Yellow Top Surface for Yellow Devices
- **Design Flexibility**  
Common Anode or  
Common Cathode  
Single Digits
- **Categorized for Luminous Intensity**  
Yellow and Green Categorized for Color  
Use of Like Categories Yields a Uniform Display
- **High Light Output**
- **High Peak Current**
- **Excellent for Long Digit String Multiplexing**
- **Intensity and Color Selection Available**  
See Intensity and Color Selected Displays Data Sheet
- **Sunlight Viewable AlGaAs**
- Left or Right Hand Decimal Point  
± 1. Overflow Character



### Description

The 7.6 mm (0.3 inch) and 10.9 mm (0.43 inch) LED seven segment displays are designed for viewing distances up to 3 metres (10 feet) and 5 metres (16 feet). These devices use an industry standard size package and pinouts. All devices are available as either common anode or common cathode.

### Devices

| AlGaAs <sup>[1]</sup><br>Red HDSP- | HER <sup>[1]</sup><br>5082- | Yellow<br>5082- | Green<br>HDSP- | Description   | Package<br>Drawing |
|------------------------------------|-----------------------------|-----------------|----------------|---|--------------------|
|                                    | 7610                        | 7620            | 3600           | 7.6 mm Common Anode Left Hand Decimal                             | A                  |
|                                    | 7611                        | 7621            | 3601           | 7.6 mm Common Anode Right Hand Decimal                            | B                  |
|                                    | 7613                        | 7623            | 3603           | 7.6 mm Common Cathode Right Hand Decimal                          | C                  |
|                                    | 7616                        | 7626            | 3606           | 7.6 mm Universal ± 1. Overflow Right Hand Decimal <sup>[2]</sup>  | D                  |
| E150                               | 7650                        | 7660            | 4600           | 10.9 mm Common Anode Left Hand Decimal                            | E                  |
| E151                               | 7651                        | 7661            | 4601           | 10.9 mm Common Anode Right Hand Decimal                           | F                  |
| E153                               | 7653                        | 7663            | 4603           | 10.9 mm Common Cathode Right Hand Decimal                         | G                  |
| E156                               | 7656                        | 7666            | 4606           | 10.9 mm Universal ± 1. Overflow Right Hand Decimal <sup>[2]</sup> | H                  |

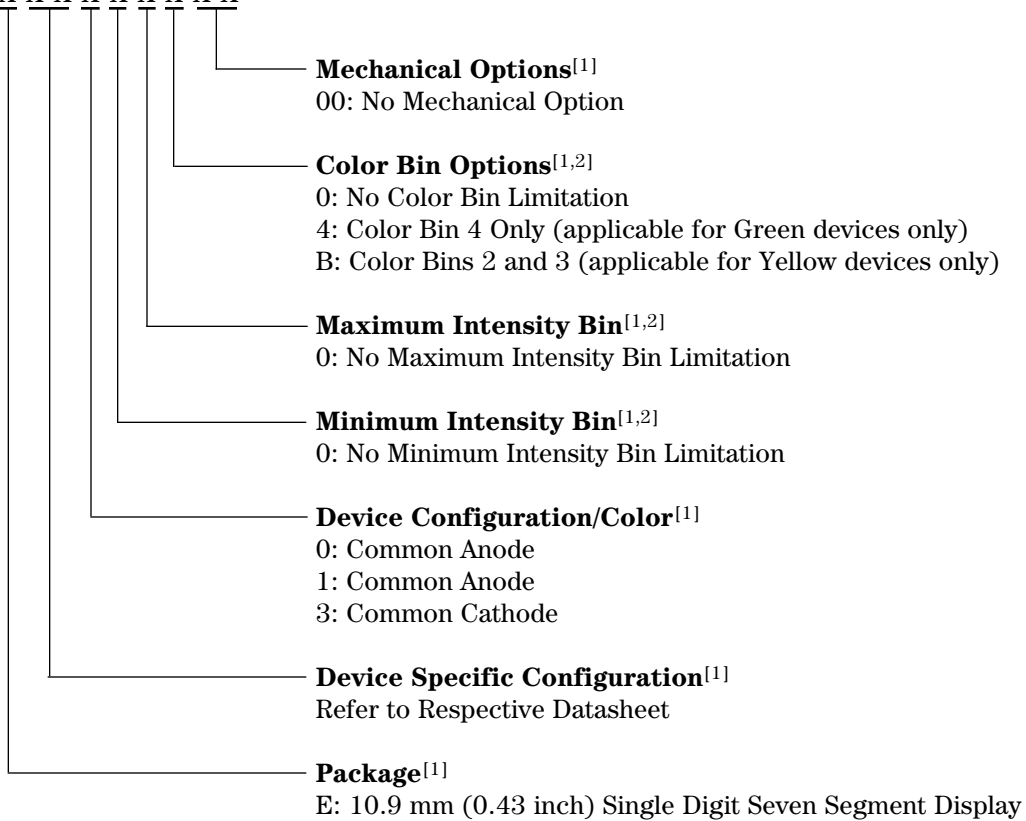
#### Notes:

1. These displays are recommended for high ambient light operation. Please refer to the HDSP-E10X AlGaAs and HDSP-335X HER data sheet for low current operation.
2. Universal pinout brings the anode and cathode of each segment's LED out to separate pins. See internal diagram D.
3. Universal pinout brings the anode and cathode of each segment's LED out to separate pins. See internal diagram H.

## Part Numbering System

5082 -X X X X-X X X X X

HDSP-X X X X-X X X X X



### Notes:

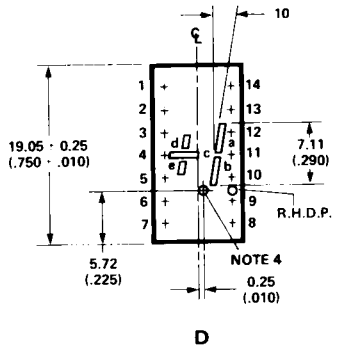
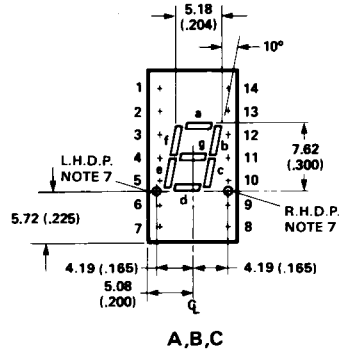
1. For codes not listed in the figure above, please refer to the respective datasheet or contact your nearest Agilent representative for details.
2. Bin options refer to shippable bins for a part number. Color and Intensity Bins are typically restricted to 1 bin per tube (exceptions may apply). Please refer to respective datasheet for specific bin limit information.

These displays are ideal for most applications. Pin for pin equivalent displays are also available in a low current or high light ambient design. The low current

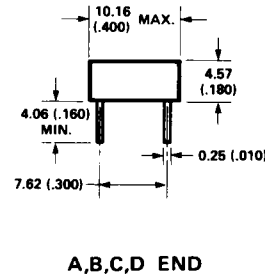
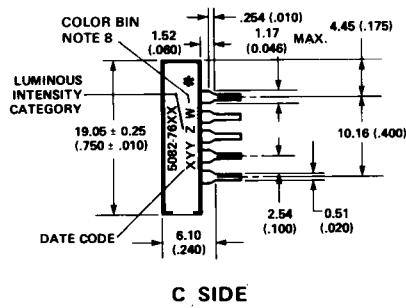
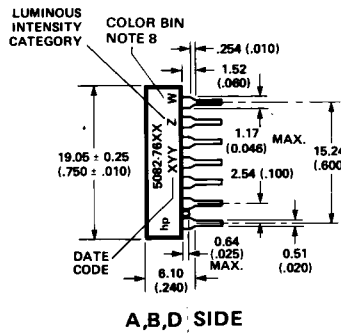
displays are ideal for portable applications. The high light ambient displays are ideal for high light ambients or long string lengths. For additional informa-

tion see the Low Current Seven Segment Displays, or High Light Ambient Seven Segment Displays data sheets.

### Package Dimensions

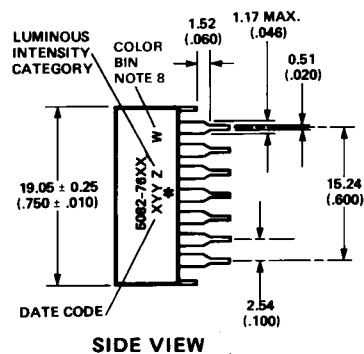
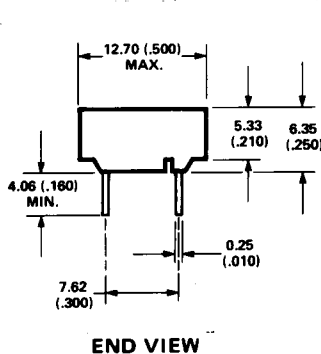
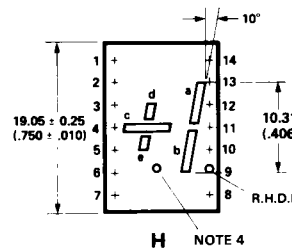
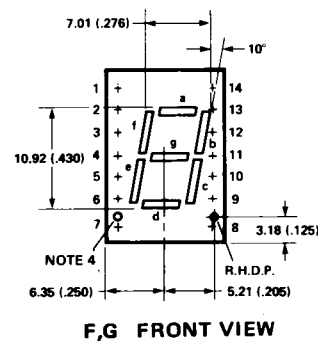
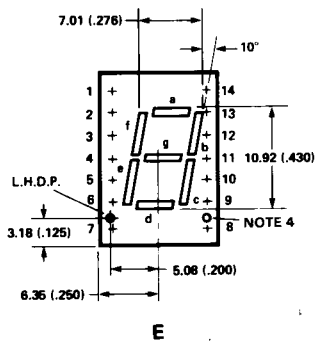


| PIN | FUNCTION                |                         |                        |            |
|-----|-------------------------|-------------------------|------------------------|------------|
|     | A                       | B                       | C                      | D          |
| 1   | CATHODE-a               | CATHODE-a               | NO PIN                 | ANODE-d    |
| 2   | CATHODE-f               | CATHODE-f               | CATHODE <sup>(4)</sup> | NO PIN     |
| 3   | ANODE <sup>(3)</sup>    | ANODE <sup>(3)</sup>    | ANODE-f                | CATHODE-d  |
| 4   | NO PIN                  | NO PIN                  | ANODE-g                | CATHODE-c  |
| 5   | NO PIN                  | NO PIN                  | ANODE-e                | CATHODE-e  |
| 6   | CATHODE-dp              | NO CONN. <sup>(5)</sup> | ANODE-d                | ANODE-e    |
| 7   | CATHODE-e               | CATHODE-e               | NO PIN                 | ANODE-c    |
| 8   | CATHODE-d               | CATHODE-d               | NO PIN                 | ANODE-dp   |
| 9   | NO CONN. <sup>(5)</sup> | CATHODE-dp              | CATHODE <sup>(4)</sup> | NO PIN     |
| 10  | CATHODE-c               | CATHODE-c               | ANODE-dp               | CATHODE-dp |
| 11  | CATHODE-g               | CATHODE-g               | ANODE-c                | CATHODE-b  |
| 12  | NO PIN                  | NO PIN                  | ANODE-b                | CATHODE-a  |
| 13  | CATHODE-b               | CATHODE-b               | ANODE-a                | ANODE-a    |
| 14  | ANODE <sup>(3)</sup>    | ANODE <sup>(3)</sup>    | NO PIN                 | ANODE-b    |



- NOTES:
1. DIMENSIONS IN MILLIMETRES AND (INCHES).
  2. ALL UNTOLERANCED DIMENSIONS ARE FOR REFERENCE ONLY.
  3. REDUNDANT ANODES.
  4. UNUSED DP POSITION.
  5. SEE INTERNAL CIRCUIT DIAGRAM.
  6. REDUNDANT CATHODE.
  7. SEE PART NUMBER TABLE FOR L.H.D.P. AND R.H.D.P. DESIGNATION.
  8. FOR YELLOW AND GREEN DEVICES ONLY.

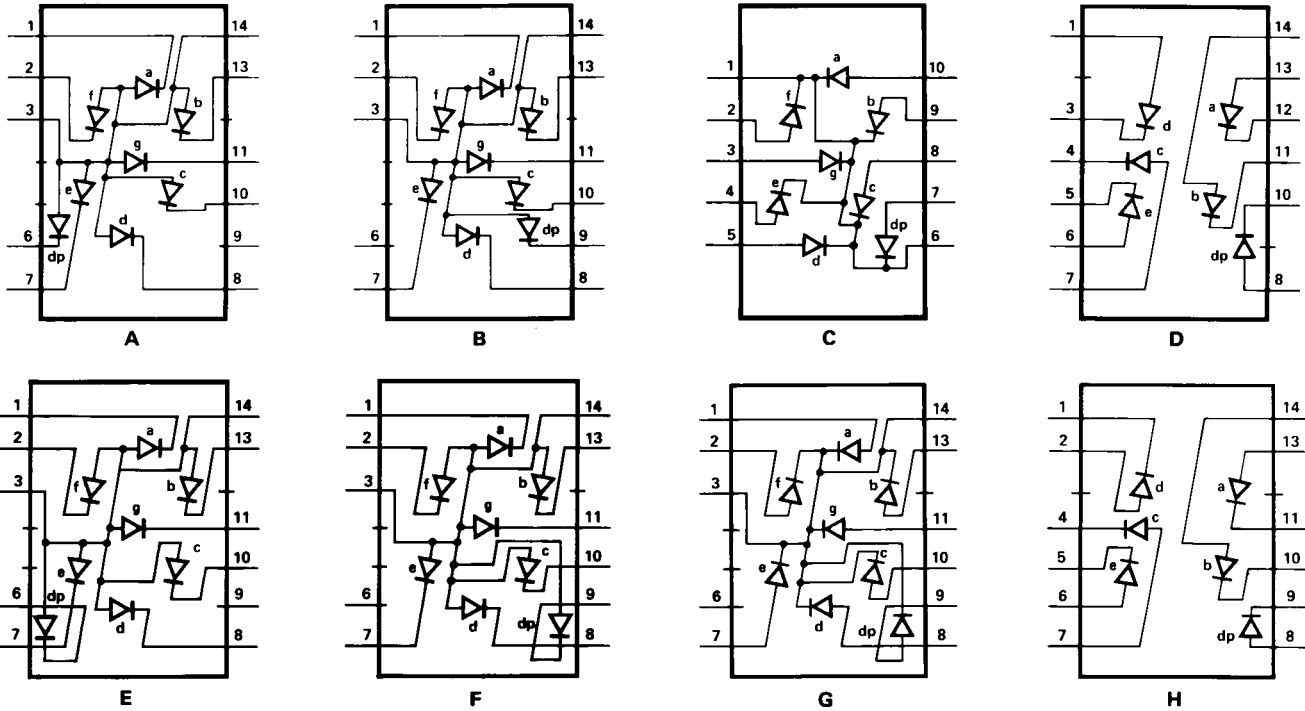
\*The Side View of package indicates Country of Origin.



\*The Side View of package indicates Country of Origin.

| PIN | FUNCTION                |                         |                         |            |
|-----|-------------------------|-------------------------|-------------------------|------------|
|     | E                       | F                       | G                       | H          |
| 1   | CATHODE-a               | CATHODE-a               | ANODE-a                 | CATHODE-d  |
| 2   | CATHODE-f               | CATHODE-f               | ANODE-f                 | ANODE-d    |
| 3   | ANODE <sup>(3)</sup>    | ANODE <sup>(3)</sup>    | CATHODE <sup>(4)</sup>  | NO PIN     |
| 4   | NO PIN                  | NO PIN                  | NO PIN                  | CATHODE-c  |
| 5   | NO PIN                  | NO PIN                  | NO PIN                  | CATHODE-e  |
| 6   | CATHODE-dp              | NO CONN. <sup>(5)</sup> | NO CONN. <sup>(5)</sup> | ANODE-e    |
| 7   | CATHODE-e               | CATHODE-e               | ANODE-e                 | ANODE-c    |
| 8   | CATHODE-d               | CATHODE-d               | ANODE-d                 | ANODE-dp   |
| 9   | NO CONN. <sup>(5)</sup> | CATHODE-dp              | ANODE-dp                | CATHODE-dp |
| 10  | CATHODE-c               | CATHODE-c               | ANODE-c                 | CATHODE-b  |
| 11  | CATHODE-g               | CATHODE-g               | ANODE-g                 | CATHODE-a  |
| 12  | NO PIN                  | NO PIN                  | NO PIN                  | NO PIN     |
| 13  | CATHODE-b               | CATHODE-b               | ANODE-b                 | ANODE-a    |
| 14  | ANODE <sup>(3)</sup>    | ANODE <sup>(3)</sup>    | CATHODE <sup>(4)</sup>  | ANODE-b    |

## Internal Circuit Diagram



## Absolute Maximum Ratings

| Description   | AlGaAs Red<br>HDSP-E150<br>Series | HER<br>5082-7610/<br>7650 Series | Yellow<br>5082-7620/<br>7660 Series | Green<br>HDSP-3600/<br>4600 Series | Units |
|---|-----------------------------------|----------------------------------|-------------------------------------|------------------------------------|-------|
| Average Power per Segment or DP   | 96                                | 105                              | 80                                  | 105                                | mW    |
| Peak Forward Current per Segment or DP  | 160 <sup>[1]</sup>                | 90 <sup>[3]</sup>                | 60 <sup>[5]</sup>                   | 90 <sup>[7]</sup>                  | mA    |
| DC Forward Current per Segment or DP  | 40 <sup>[2]</sup>                 | 30 <sup>[4]</sup>                | 20 <sup>[6]</sup>                   | 30 <sup>[8]</sup>                  | mA    |
| Operating Temperature Range   | -20 to +100 <sup>[9]</sup>        | -40 to +100                      |                                     |                                    | °C    |
| Storage Temperature Range   | -55 to +100                       |                                  |                                     |                                    | °C    |
| Reverse Voltage per Segment or DP   | 3.0                               |                                  |                                     |                                    | V     |
| Lead Solder Temperature for 3 Seconds (1.59 mm [0.063 in.] below seating plane) | 260                               |                                  |                                     |                                    | °C    |

### Notes:

- See Figure 1 to establish pulsed conditions.
- Derate above 46°C at 0.54 mA/°C.
- See Figure 6 to establish pulsed conditions.
- Derate above 53°C at 0.45 mA/°C.
- See Figure 7 to establish pulsed conditions.
- Derate above 81°C at 0.52 mA/°C.
- See Figure 8 to establish pulsed conditions.
- Derate above 39°C at 0.37 mA/°C.
- For operation below -20°C, contact your local Agilent components sales office or an authorized distributor.

## Electrical/Optical Characteristics at $T_A = 25^\circ\text{C}$

### AlGaAs Red

| Device Series                          | Parameter  | Symbol                      | Min. | Typ. | Max.     | Units | Test Conditions                |
|--|--|-----------------------------|------|------|----------|-------|--------------------------------|
| HDSP-E15x                              | Luminous Intensity/Segment <sup>[1,2,5]</sup><br>(Digit Average) | $I_V$                       | 8.5  | 15.0 |          | mcd   | $I_F = 20\text{ mA}$           |
|  | Forward Voltage/Segment or DP                                    | $V_F$                       |      | 1.8  |          | V     | $I_F = 20\text{ mA}$           |
|  |  |                             |      | 2.0  | 3.0      | V     | $I_F = 100\text{ mA}$          |
|  | Peak Wavelength  | $\lambda_{\text{PEAK}}$     |      | 645  |          | nm    |                                |
|  | Dominant Wavelength <sup>[3]</sup>                               | $\lambda_d$                 |      | 637  |          | nm    |                                |
|  | Reverse Voltage/Segment or DP <sup>[4]</sup>                     | $V_R$                       | 3.0  | 15   |          | V     | $I_R = 100\text{ }\mu\text{A}$ |
|  | Temperature Coefficient of $V_F$ /Segment or DP                  | $\Delta V_F/^\circ\text{C}$ |      | -2   |          | mV/°C |                                |
| Thermal Resistance LED Junction-to-Pin | $R\theta_{\text{J-PIN}}$   |                             | 340  |      | °C/W/Seg |       |                                |

### High Efficiency Red

| Device Series | Parameter  | Symbol                      | Min. | Typ. | Max. | Units          | Test Conditions                |
|---------------|--|-----------------------------|------|------|------|----------------|--------------------------------|
| 5082-761x     | Luminous Intensity/Segment <sup>[1,2,6]</sup><br>(Digit Average) | $I_V$                       | 340  | 800  |      | $\mu\text{cd}$ | $I_F = 5\text{ mA}$            |
| 5082-765x     |  |                             | 340  | 1115 |      | $\mu\text{cd}$ | $I_F = 5\text{ mA}$            |
| All           | Forward Voltage/Segment or DP                                    | $V_F$                       |      | 2.1  | 2.5  | V              | $I_F = 20\text{ mA}$           |
|               | Peak Wavelength  | $\lambda_{\text{PEAK}}$     |      | 635  |      | nm             |                                |
|               | Dominant Wavelength <sup>[3]</sup>                               | $\lambda_d$                 |      | 626  |      | nm             |                                |
|               | Reverse Voltage/Segment or DP <sup>[4]</sup>                     | $V_R$                       | 3.0  | 30   |      | V              | $I_R = 100\text{ }\mu\text{A}$ |
|               | Temperature Coefficient of $V_F$ /Segment or DP                  | $\Delta V_F/^\circ\text{C}$ |      | -2   |      | mV/°C          |                                |
|               | Thermal Resistance LED Junction-to-Pin                           | $R\theta_{\text{J-PIN}}$    |      | 280  |      | °C/W           |                                |

**Yellow**

| Device Series | Parameter  | Symbol                      | Min.  | Typ. | Max.  | Units          | Test Conditions         |
|---------------|--|-----------------------------|-------|------|-------|----------------|-------------------------|
| 5082-762x     | Luminous Intensity/Segment <sup>[1,2]</sup><br>(Digit Average) | $I_V$                       | 205   | 620  |       | $\mu\text{cd}$ | $I_F = 5 \text{ mA}$    |
| 5082-766x     |  |                             | 290   | 835  |       | $\mu\text{cd}$ | $I_F = 5 \text{ mA}$    |
| All           | Forward Voltage/Segment or DP                                  | $V_F$                       |       | 2.2  | 2.5   | V              | $I_F = 20 \text{ mA}$   |
|               | Peak Wavelength  | $\lambda_{\text{PEAK}}$     |       | 583  |       | nm             |                         |
|               | Dominant Wavelength <sup>[3,7]</sup>                           | $\lambda_d$                 | 581.5 | 586  | 592.5 | nm             |                         |
|               | Reverse Voltage/Segment or DP <sup>[4]</sup>                   | $V_R$                       | 3.0   | 40   |       | V              | $I_R = 100 \mu\text{A}$ |
|               | Temperature Coefficient of $V_F$ /Segment or DP                | $\Delta V_F/^\circ\text{C}$ |       | -2   |       | mV/°C          |                         |
|               | Thermal Resistance LED Junction-to-Pin                         | $R\theta_{\text{J-PIN}}$    |       | 280  |       | °C/W/Seg       |                         |

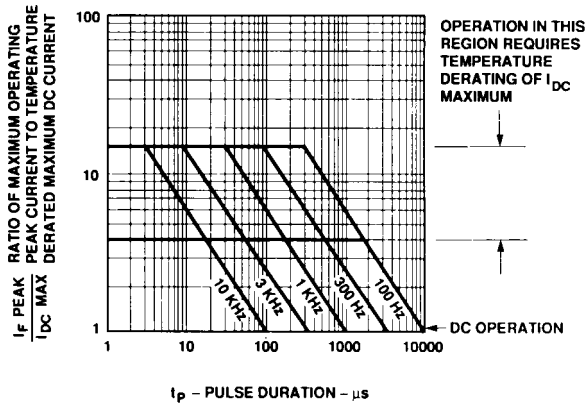
**High Performance Green**

| Device Series | Parameter  | Symbol                      | Min. | Typ. | Max. | Units          | Test Conditions         |
|---------------|--|-----------------------------|------|------|------|----------------|-------------------------|
| HDSP-360x     | Luminous Intensity/Segment <sup>[1,2]</sup><br>(Digit Average) | $I_V$                       | 860  | 2700 |      | $\mu\text{cd}$ | $I_F = 10 \text{ mA}$   |
| HDSP-460x     |  |                             | 1030 | 4000 |      | $\mu\text{cd}$ | $I_F = 10 \text{ mA}$   |
| All           | Forward Voltage/Segment or DP                                  | $V_F$                       |      | 2.1  | 2.5  | V              | $I_F = 10 \text{ mA}$   |
|               | Peak Wavelength  | $\lambda_{\text{PEAK}}$     |      | 566  |      | nm             |                         |
|               | Dominant Wavelength <sup>[3,7]</sup>                           | $\lambda_d$                 |      | 571  | 577  | nm             |                         |
|               | Reverse Voltage/Segment or DP <sup>[4]</sup>                   | $V_R$                       | 3.0  | 50   |      | V              | $I_R = 100 \mu\text{A}$ |
|               | Temperature Coefficient of $V_F$ /Segment or DP                | $\Delta V_F/^\circ\text{C}$ |      | -2   |      | mV/°C          |                         |
|               | Thermal Resistance LED Junction-to-Pin                         | $R\theta_{\text{J-PIN}}$    |      | 280  |      | °C/W/Seg       |                         |

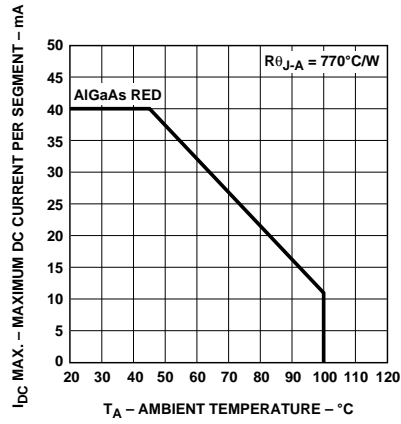
**Notes:**

- Device case temperature is 25°C prior to the intensity measurement.
- The digits are categorized for luminous intensity. The intensity category is designated by a letter on the side of the package.
- The dominant wavelength,  $\lambda_d$ , is derived from the CIE chromaticity diagram and is that single wavelength which defines the color of the device.
- Typical specification for reference only. Do not exceed absolute maximum ratings.
- For low current operation, the AlGaAs HDSP-E10X series displays are recommended. They are tested at 1 mA dc/segment and are pin compatible with the HDSP-E15X series.
- For low current operation, the HER HDSP-335X series displays are recommended. They are tested at 2 mA dc/segment and are pin compatible with the 5082-7650 series.
- The Yellow (5082-7620/7660) and Green (HDSP-3600/4600) displays are categorized for dominant wavelength. The category is designated by a number adjacent to the luminous intensity category letter.

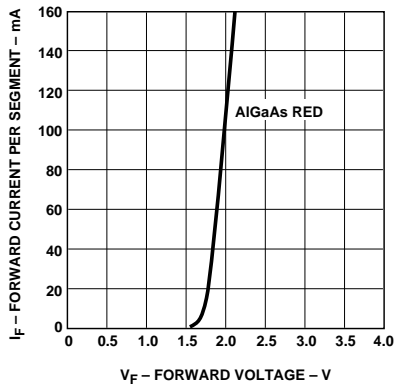
**AlGaAs Red**



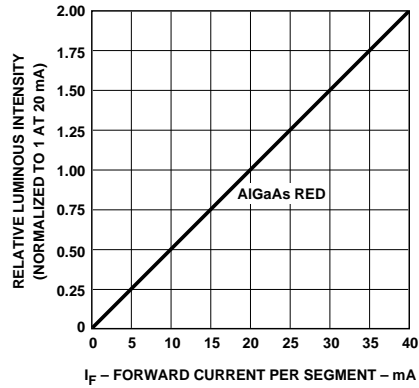
**Figure 1. Maximum Allowed Peak Current vs. Pulse Duration – AlGaAs Red.**



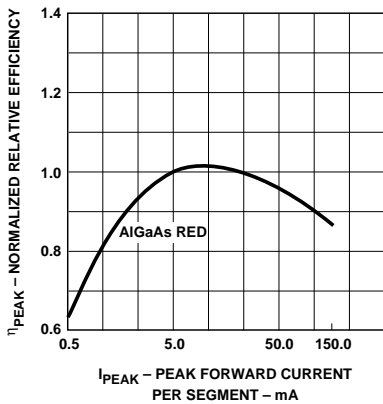
**Figure 2. Maximum Allowable DC Current vs. Ambient Temperature.**



**Figure 3. Forward Current vs. Forward Voltage.**



**Figure 4. Relative Luminous Intensity vs. DC Forward Current.**



**Figure 5. Relative Efficiency (Luminous Intensity per Unit Current) vs. Peak Current.**

HER, Yellow, Green

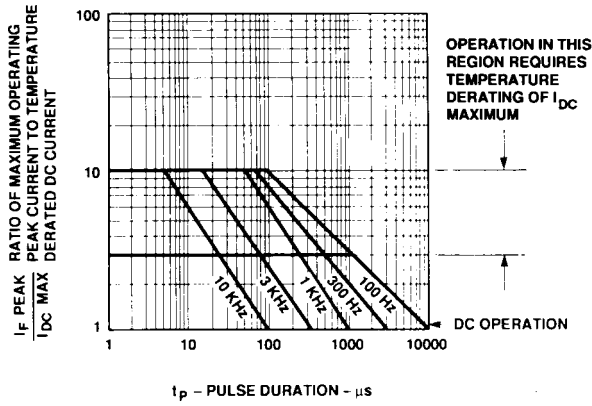


Figure 6. Maximum Tolerable Peak Current vs. Pulse Duration - HER Series.

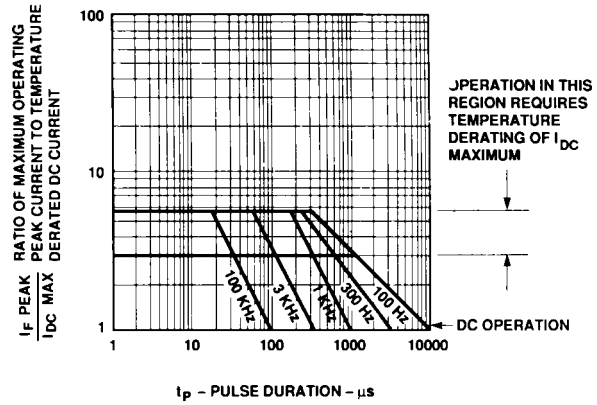


Figure 7. Maximum Tolerable Peak Current vs. Pulse Duration - Yellow Series.

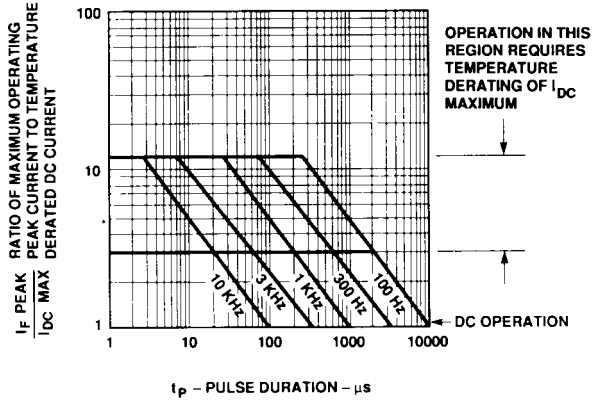


Figure 8. Allowable Peak Current vs. Pulse Duration - Green Series.

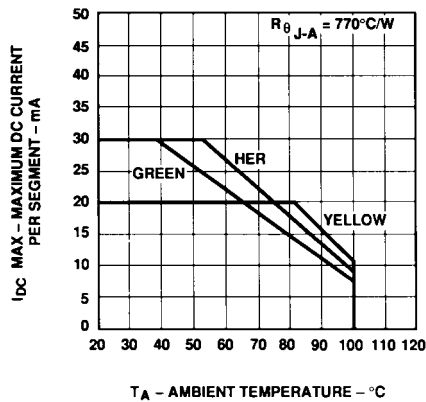


Figure 9. Maximum Allowable DC Current vs. Ambient Temperature.

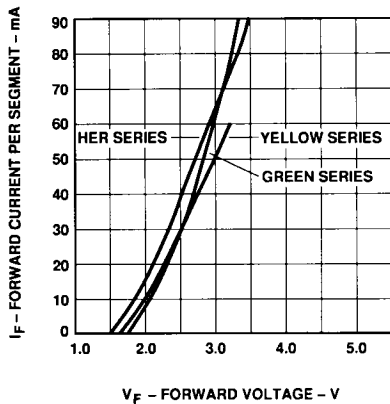


Figure 10. Forward Current vs. Forward Voltage.

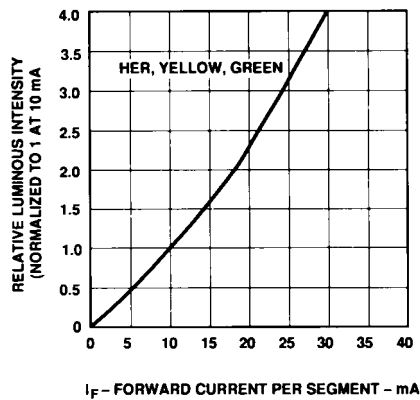


Figure 11. Relative Luminous Intensity vs. DC Forward Current.

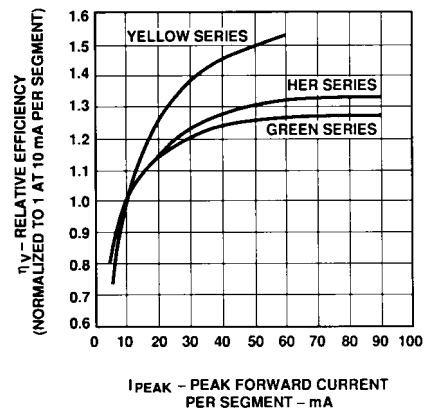


Figure 12. Relative Luminous Efficiency (Luminous Intensity per Unit Current) vs. Peak Current.



**Intensity Bin Limits (mcd)****AlGaAs Red**

| <b>HDSP-E15x</b>       |             |             |
|------------------------|-------------|-------------|
| <b>IV Bin Category</b> | <b>Min.</b> | <b>Max.</b> |
| L                      | 8.67        | 15.90       |
| M                      | 13.00       | 23.80       |
| N                      | 19.50       | 35.80       |
| O                      | 29.30       | 53.60       |
| P                      | 43.90       | 80.50       |

**HER**

| <b>5082-761x</b>       |             |             |
|------------------------|-------------|-------------|
| <b>IV Bin Category</b> | <b>Min.</b> | <b>Max.</b> |
| B                      | 0.369       | 0.630       |
| C                      | 0.516       | 0.946       |
| D                      | 0.774       | 1.418       |
| E                      | 1.160       | 2.127       |
| F                      | 1.740       | 3.190       |
| G                      | 2.610       | 4.785       |
| H                      | 3.915       | 7.177       |

| <b>5082-765x</b>       |             |             |
|------------------------|-------------|-------------|
| <b>IV Bin Category</b> | <b>Min.</b> | <b>Max.</b> |
| B                      | 0.347       | 0.593       |
| C                      | 0.485       | 0.890       |
| D                      | 0.728       | 1.333       |
| E                      | 1.091       | 2.000       |
| F                      | 1.636       | 3.000       |
| G                      | 2.454       | 4.500       |
| H                      | 3.682       | 6.751       |

**Yellow**

| <b>5082-762x</b>       |             |             |
|------------------------|-------------|-------------|
| <b>IV Bin Category</b> | <b>Min.</b> | <b>Max.</b> |
| B                      | 0.229       | 0.387       |
| C                      | 0.317       | 0.582       |
| D                      | 0.476       | 0.872       |
| E                      | 0.714       | 1.311       |
| F                      | 1.073       | 1.967       |
| G                      | 1.609       | 2.950       |
| H                      | 2.413       | 4.425       |

| <b>5082-766x</b>       |             |             |
|------------------------|-------------|-------------|
| <b>IV Bin Category</b> | <b>Min.</b> | <b>Max.</b> |
| C                      | 0.297       | 0.543       |
| D                      | 0.445       | 0.817       |
| E                      | 0.669       | 1.225       |
| F                      | 1.003       | 1.838       |
| G                      | 1.504       | 2.758       |
| H                      | 2.256       | 4.137       |

**Green**

| <b>HDSP-360x</b>       |             |             |
|------------------------|-------------|-------------|
| <b>IV Bin Category</b> | <b>Min.</b> | <b>Max.</b> |
| H                      | 0.86        | 1.58        |
| I                      | 1.29        | 2.37        |
| J                      | 1.94        | 3.55        |
| K                      | 2.90        | 5.33        |
| L                      | 4.37        | 8.01        |

| <b>HDSP-460x</b>       |             |             |
|------------------------|-------------|-------------|
| <b>IV Bin Category</b> | <b>Min.</b> | <b>Max.</b> |
| G                      | 1.03        | 1.88        |
| H                      | 1.54        | 2.82        |
| I                      | 2.31        | 4.23        |
| J                      | 3.46        | 6.34        |
| K                      | 5.18        | 9.50        |
| L                      | 7.78        | 14.26       |

## Color Categories

| Color  | Bin | Dominant Wavelength (nm) |        |
|--------|-----|--------------------------|--------|
|        |     | Min.                     | Max.   |
| Yellow | 1   | 581.50                   | 585.00 |
|        | 3   | 584.00                   | 587.50 |
|        | 2   | 586.50                   | 590.00 |
|        | 4   | 589.00                   | 592.50 |
| Green  | 2   | 573.00                   | 577.00 |
|        | 3   | 570.00                   | 574.00 |
|        | 4   | 567.00                   | 571.00 |
|        | 5   | 564.00                   | 568.00 |

**Note:**

All categories are established for classification of products. Products may not be available in all categories. Please contact your Agilent representatives for further clarification/information.

## Contrast Enhancement

For information on contrast enhancement, please see Application Note 1015.

## Soldering/Cleaning

For information on soldering LEDs, please refer to Application Note 1027.

*[www.semiconductor.agilent.com](http://www.semiconductor.agilent.com)*

Data subject to change.  
Copyright © 2001 Agilent Technologies, Inc.  
August 27, 2001  
Obsoletes 5963-7394E (11/99)  
5988-3325EN