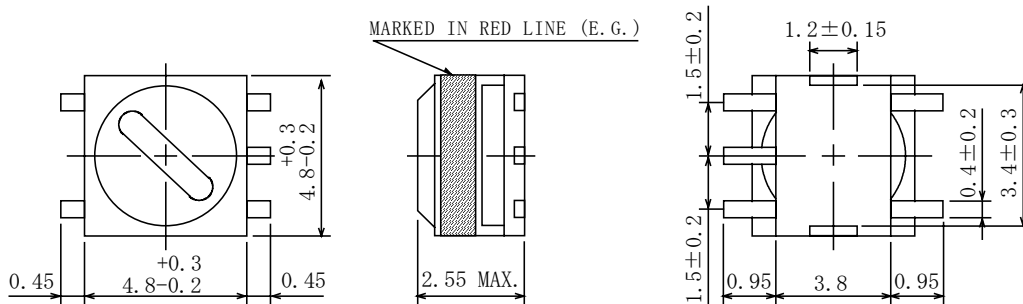
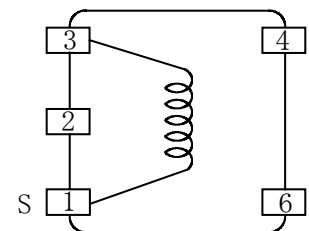


**Type: CP-4L2**
**◆ Product Description**

- 6.0×5.1mm Max.(L×W), 2.55mm Max. Height.
- Inductance range:330 μ H Max.
- Operating Frequency:15MHz Max.
- In addition to the reference versions of parameters shown here, custom designs are available to meet your exact requirements.

**◆ Feature**

- Low profile variable type of tight-space design
- RoHS Compliance

**◆ Dimensions (mm)**

**◆ Connection (Bottom View)**


“S” is winding start

- \* Dimension does not include solder used on coil.
- \* Pin pitch shall be measured at the root of terminal.
- \* Dimension without tolerance are approx.

**◆ Specification**

NO.	Part No.	Color	Inductance [Variable] ※ 1	Unloaded Q [MIN.]	Measuring Frequency
01	CP4L2-4R8	RED	4.8 μ H ± 1%	30	7.96 MHz
02	CP4L2-6R8	YELLOW	6.8 μ H ± 1%	50	7.96 MHz
03	CP4L2-15Ø	BLACK	15 μ H ± 1%	40	2.52 MHz