



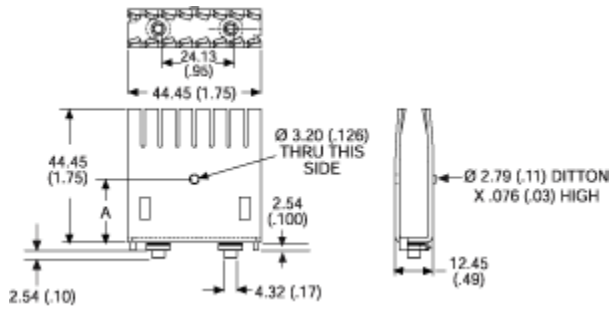
For use with TO-218 packages

530101b00150

VIS#001624



Mechanical Outline Drawing

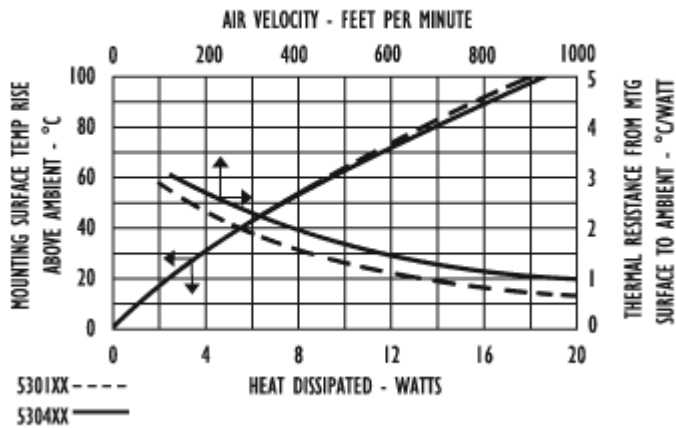


A Dim 21.08 (.830)

| | |
|---------------------------|-----|
| Thermal Resistance | 6.3 |
|---------------------------|-----|

Thermal resistance value is based on a 75°C rise in natural convection

Thermal Curves



Product Information

| 12 Digit Part # | Description | Finish | Board Mounting |
|-----------------|---|---------------|--------------------------------------|
| 530101b00150 | For vertical mounting with solderable mountings and Kool-Klips (50) | Black Anodize | View Hole Dimensions |

Not Exactly what you need?

We offer several options for those applications which require a more unique solution. For slight modifications of this part or other attachment options, finishes, and interface materials, contact your [local representative](#). Challenge us with your thermal requirements - we can design custom solutions.

For technical help with our Standard Products, please call (603) 223-1921, or contact your local Manufacturer's Rep
Email: info@aavid.com

Visit us at www.aavidthermalloy.com • ©2002 Aavid Thermalloy, LLC