

# LM317AHV

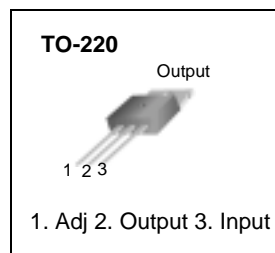
## 3-Terminal Positive Adjustable Regulator

### Features

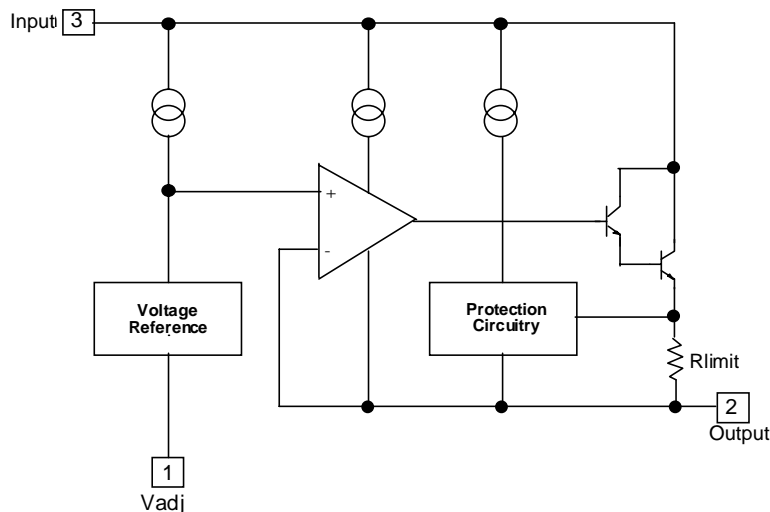
- Output Current in Excess of 1.5A
- Output Adjustable Between 1.2V and 57V
- Internal Thermal Overload Protection
- Internal Short Circuit Current Limiting
- Output Transistor Safe Area Compensation
- TO-220 Package

### Description

This monolithic integrated circuit is an adjustable 3-terminal positive voltage regulator designed to supply more than 1.5A of load current with an output voltage adjustable over a 1.2 to 57V. It employs internal current limiting, thermal shut down and safe area compensation.



### Internal Block Diagram



## Absolute Maximum Ratings

Parameter	Symbol	Value	Unit
Input-Output Voltage Differential	$V_I - V_O$	60	V
Lead Temperature	$T_{LEAD}$	230	°C
Power Dissipation	$P_D$	Internally limited	W
Operating Junction Temperature Range	$T_j$	0 ~ +125	°C
Storage Temperature Range	$T_{STG}$	-65 ~ +125	°C
Temperature Coefficient of Output Voltage	$\Delta V_O/\Delta T$	±0.02	%/°C

## Electrical Characteristics

( $V_I - V_O = 5V$ ,  $I_O = 0.5A$ ,  $0^\circ C \leq T_J \leq +125^\circ C$ ,  $I_{MAX} = 1.5A$ ,  $P_{DMAX} = 20W$ , unless otherwise specified)

Parameter	Symbol	Conditions	Min.	Typ.	Max.	Unit
Line Regulation (Note1)	Rline	$T_A = +25^\circ C$ $3V \leq V_I - V_O \leq 60V$	-	0.01	0.04	%/V
		$3V \leq V_I - V_O \leq 60V$	-	0.02	0.07	%/V
Load Regulation (Note1)	Rload	$T_A = +25^\circ C$ , $10mA \leq I_O \leq I_{MAX}$ $V_O < 5V$ $V_O \geq 5V$	-	18 0.4	25 0.5	mV %/V <sub>O</sub>
		$10mA \leq I_O \leq I_{MAX}$ $V_O < 5V$ $V_O \geq 5V$	-	40 0.8	70 1.5	mV %/V <sub>O</sub>
Adjustable Pin Current	I <sub>ADJ</sub>	-	-	46	100	µA
Adjustable Pin Current Change	ΔI <sub>ADJ</sub>	$3V \leq V_I - V_O \leq 60V$ $10mA \leq I_O \leq I_{MAX}$ $P_D \leq P_{MAX}$	-	2.0	5	µA
Reference Voltage	V <sub>REF</sub>	$3V \leq V_{IN} - V_O \leq 60V$ $10mA \leq I_O \leq I_{MAX}$ $P_D \leq P_{MAX}$	1.20	1.25	1.30	V
Temperature Stability	STT	-	-	0.7	-	%/V <sub>O</sub>
Minimum Load Current to Maintain Regulation	I <sub>L(MIN)</sub>	$V_I - V_O = 60V$	-	3.5	12	mA
Maximum Output Current	I <sub>O(MAX)</sub>	$V_I - V_O \leq 15V$ , $P_D \leq P_{MAX}$ $V_I - V_O \leq 60V$ , $P_D \leq P_{MAX}$ $T_A = 25^\circ C$	1.0	2.2 0.3	-	A
RMS Noise, % of V <sub>OUT</sub>	e <sub>N</sub>	$T_A = +25^\circ C$ , $10Hz \leq f \leq 10kHz$	-	0.003	0.01	%/V <sub>O</sub>
Ripple Rejection	RR	$V_O = 10V$ , $f = 120Hz$ without C <sub>ADJ</sub> C <sub>ADJ</sub> = 10µF (Note2)	66	60 75	-	dB
Long-Term Stability, $T_J = T_{HIGH}$	ST	$T_A = +25^\circ C$ for end point measurements, 1000HR	-	0.3	1	%
Thermal Resistance Junction to Case	R <sub>θJC</sub>	-	-	5	-	°C/W

### Note :

- Load and line regulation are specified at constant junction temperature. Change in  $V_D$  due to heating effects must be taken into account separately. Pulse testing with low duty is used. ( $P_{MAX} = 20W$ )
- C<sub>ADJ</sub>, when used, is connected between the adjustment pin and ground.

## Typical Performance Characteristics

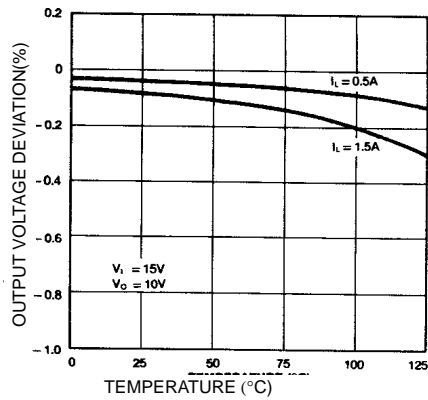


Figure 1. Load Regulation

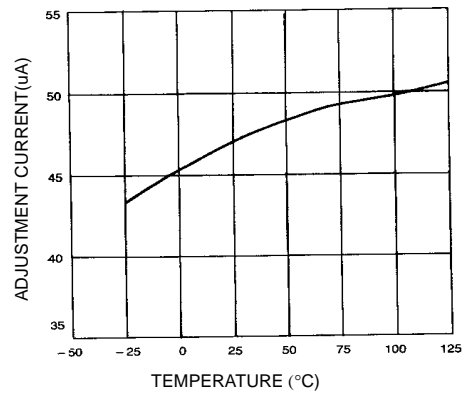


Figure 2. Adjustment Current

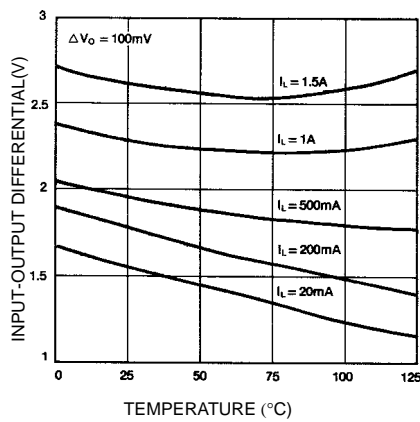


Figure 3. Dropout Voltage

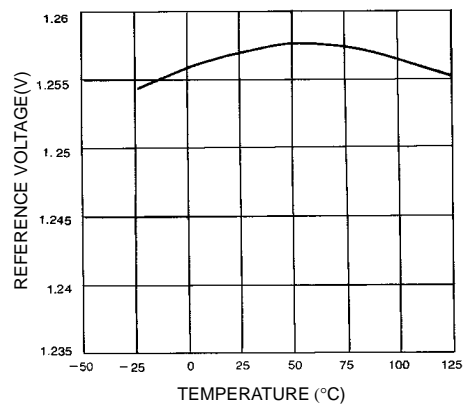


Figure 4. Reference Voltage

## Typical Application

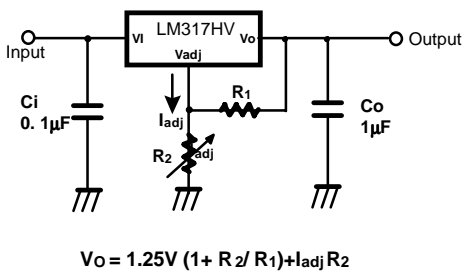


Figure 5. Programmable Regulator

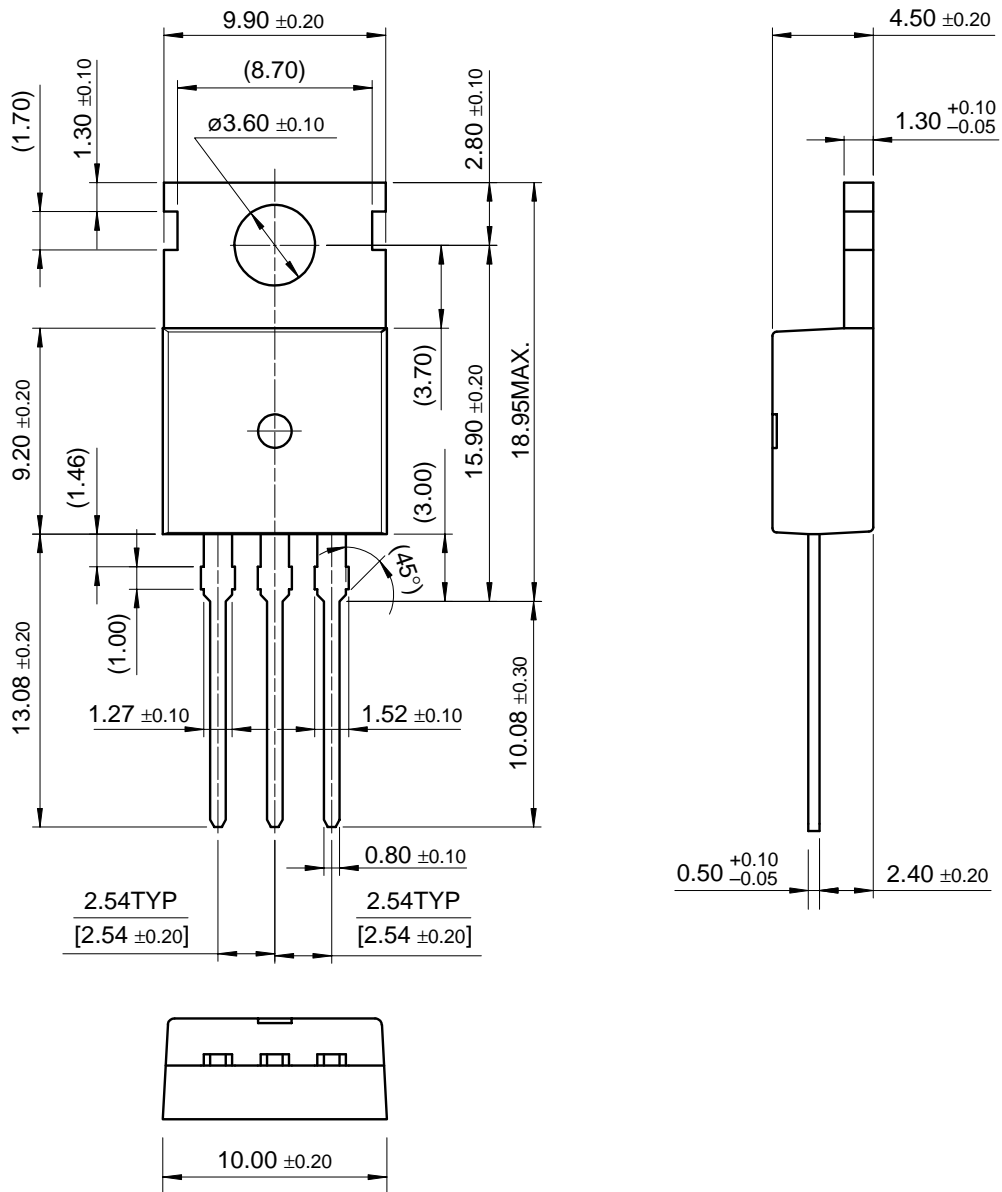
- $C_i$  is required when regulator is located an appreciable distance from power supply filter.  
 $C_o$  is not needed for stability, however, it does improve transient response.  
 Since  $I_{ADJ}$  is controlled to less than  $100\mu A$ , the error associated with this term is negligible in most applications.

# Mechanical Dimensions

## Package

Dimensions in millimeters

### TO-220



## Ordering Information

Product Number	Package	Operating Temperature
LM317AHVT	TO-220	0°C to +125°C

### DISCLAIMER

FAIRCHILD SEMICONDUCTOR RESERVES THE RIGHT TO MAKE CHANGES WITHOUT FURTHER NOTICE TO ANY PRODUCTS HEREIN TO IMPROVE RELIABILITY, FUNCTION OR DESIGN. FAIRCHILD DOES NOT ASSUME ANY LIABILITY ARISING OUT OF THE APPLICATION OR USE OF ANY PRODUCT OR CIRCUIT DESCRIBED HEREIN; NEITHER DOES IT CONVEY ANY LICENSE UNDER ITS PATENT RIGHTS, NOR THE RIGHTS OF OTHERS.

### LIFE SUPPORT POLICY

FAIRCHILD'S PRODUCTS ARE NOT AUTHORIZED FOR USE AS CRITICAL COMPONENTS IN LIFE SUPPORT DEVICES OR SYSTEMS WITHOUT THE EXPRESS WRITTEN APPROVAL OF THE PRESIDENT OF FAIRCHILD SEMICONDUCTOR CORPORATION. As used herein:

1. Life support devices or systems are devices or systems which, (a) are intended for surgical implant into the body, or (b) support or sustain life, and (c) whose failure to perform when properly used in accordance with instructions for use provided in the labeling, can be reasonably expected to result in a significant injury of the user.
2. A critical component in any component of a life support device or system whose failure to perform can be reasonably expected to cause the failure of the life support device or system, or to affect its safety or effectiveness.