



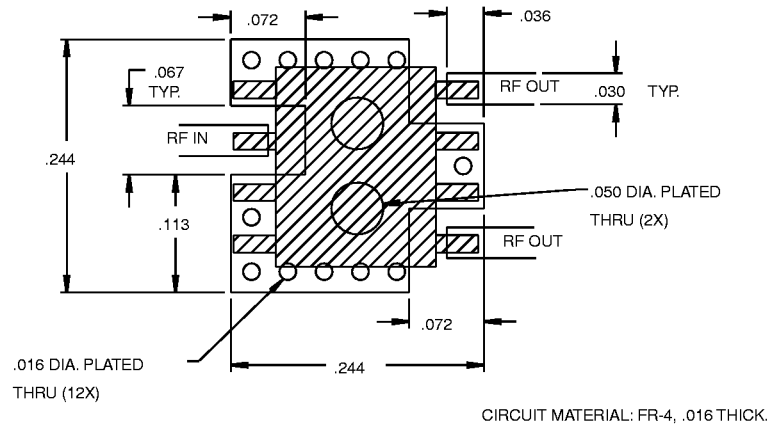
**Absolute Maximum Ratings<sup>1</sup>**

Parameter	Absolute Maximum
Input Power <sup>2</sup>	1 W CW
Operating Temperature	-40 °C to +85 °C
Storage Temperature	-65 °C to +150 °C

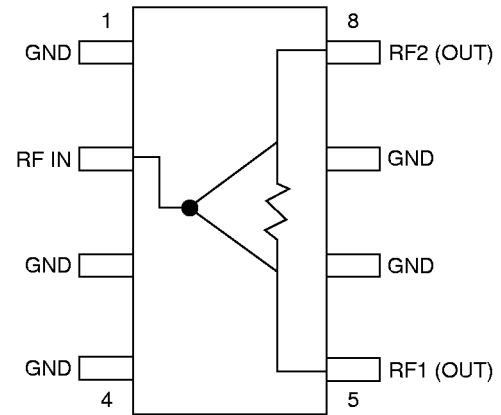
1. Exceeding these limits may cause permanent damage.  
 2. With internal load dissipation of 0.125 W maximum.

**Recommended PCB Configuration**

(Dimensions in Inches)

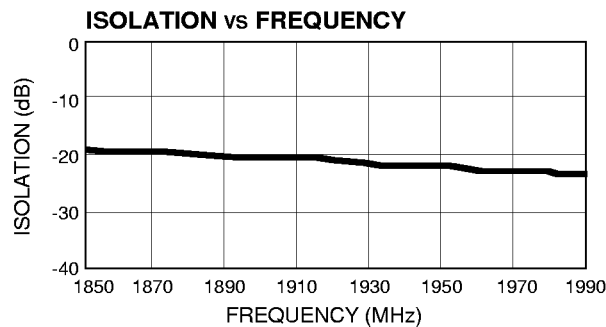
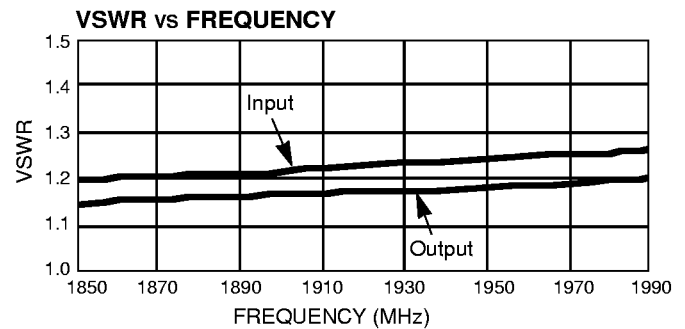
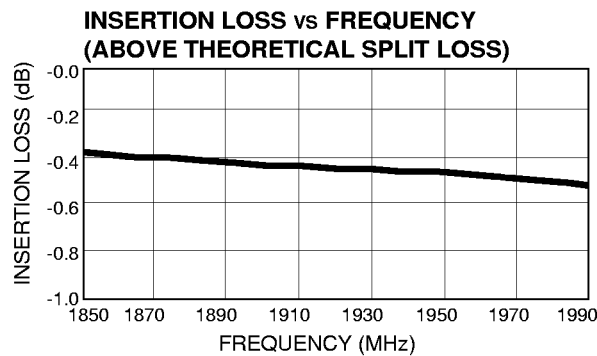


**Functional Diagram<sup>3</sup>**



3. Pins 1, 3, 4, and 6 must be RF and DC grounded.

**Typical Performance @ +25 °C**



Specifications Subject to Change Without Notice.