

---

# HA19211BP/BNT/BMP

High-Speed, Low-Power 8-bit A/D Flash Converter

## HITACHI

November 1996

---

### Description

The HA19211BP/BNT/BMP high-speed, low-power 8-bit A/D flash converters require no sampling and holding circuits. The digital outputs and clock inputs of these monolithic bipolar ICs are fully TTL/CMOS compatible.

These devices are suitable for high-speed image processing applications such as video signal digitization.

### Features

- 8-bit resolution (with overflow)
- Low power consumption (250 mW Typ)
- High conversion rate (20 Msps Min)
- Single power supply operation: +5 V
- Built-in output latch circuit
- TTL/CMOS compatible digital outputs and clock inputs

### Applications

- Digital TV/VCR
- Industrial pattern recognition equipment
- High-speed measuring devices

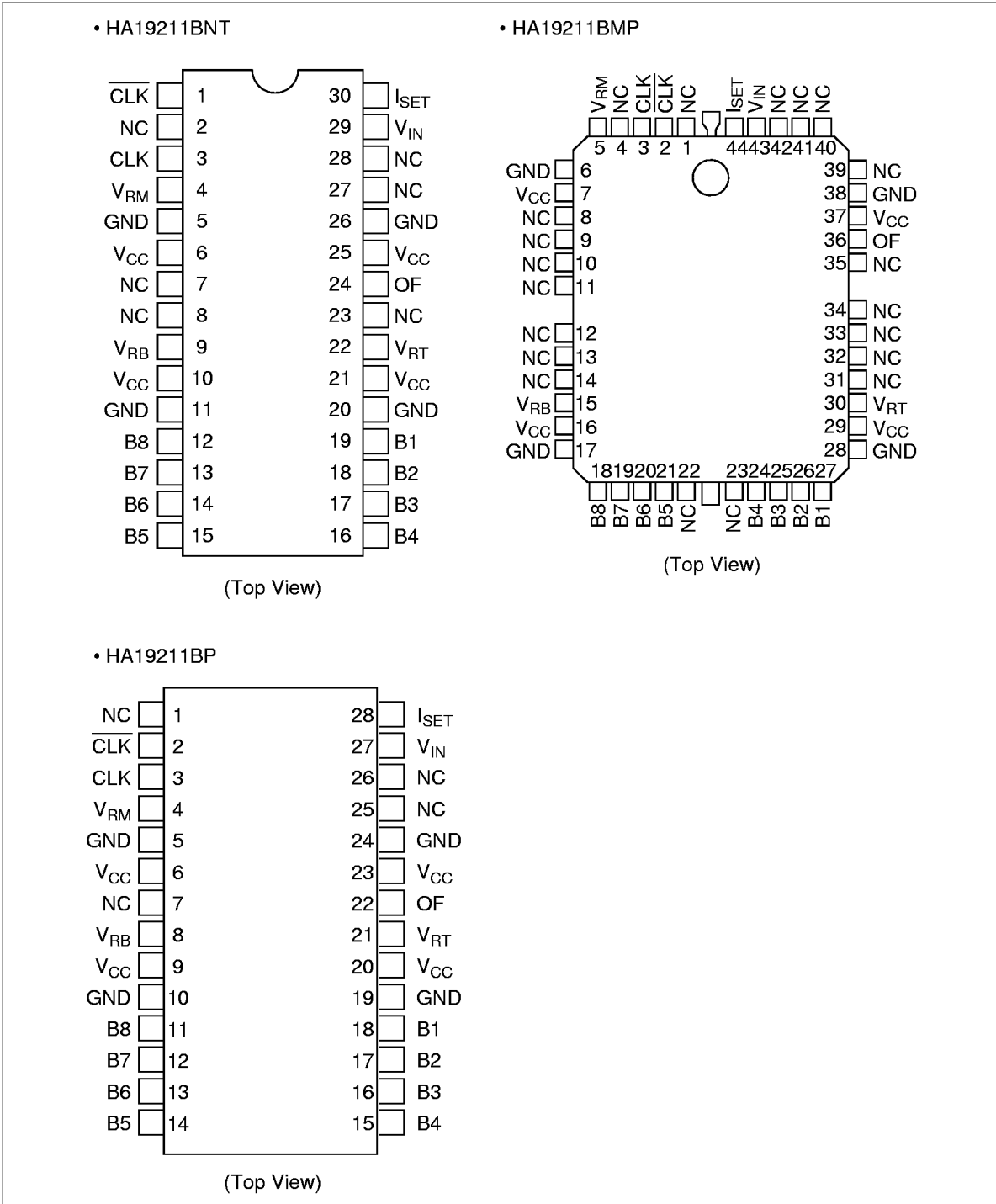
### Ordering Information

Type No.	Package
HA19211BP	600mil 28-pin plastic DIP (DP-28)
HA19211BNT	400mil 30-pin plastic shrink DIP (DP-30S)
HA19211BMP	44-pin plastic QFI (MP-44)

---

# HA19211BP/BNT/BMP

## Pin Arrangement



**Pin Descriptions****HA19211BP, HA19211BMP**

<b>Pin No.</b>	<b>Symbol</b>	<b>Function</b>
1 (1)	NC	No Connected
2 (2)	$\overline{\text{CLK}}$	Inverted clock input
3 (3)	CLK	Clock input
4 (5)	$V_{\text{RM}}$	Reference voltage compensation input
5 (6)	GND	Ground
6 (7)	$V_{\text{CC}}$	Power supply (+5 V)
7 (8)	NC	No Connected
8 (15)	$V_{\text{RB}}$	Low-level reference voltage input
9 (16)	$V_{\text{CC}}$	Power supply (+5 V)
10 (17)	GND	Ground
11 (18)	B8	Digital output (MSB)
12 (19)	B7	Digital output
13 (20)	B6	Digital output
14 (21)	B5	Digital output
15 (24)	B4	Digital output
16 (25)	B3	Digital output
17 (26)	B2	Digital output
18 (27)	B1	Digital output (LSB)
19 (28)	GND	Ground
20 (29)	$V_{\text{CC}}$	Power Supply (+5 V)
21 (30)	$V_{\text{RT}}$	High-level reference voltage input
22 (36)	OF	Overflow output
23 (37)	$V_{\text{CC}}$	Power supply (+5 V)
24 (38)	GND	Ground
25 (39)	NC	No connected
26 (40)	NC	No connected
27 (43)	$V_{\text{IN}}$	Analog input
28 (44)	$I_{\text{SET}}$	Output current setting input

Note: Pin numbers in parentheses are for the HA19211BMP. For this chip pins 4, 9 to 14, 22, 23, 31 to 35, 41 and 42 are no connected.

---

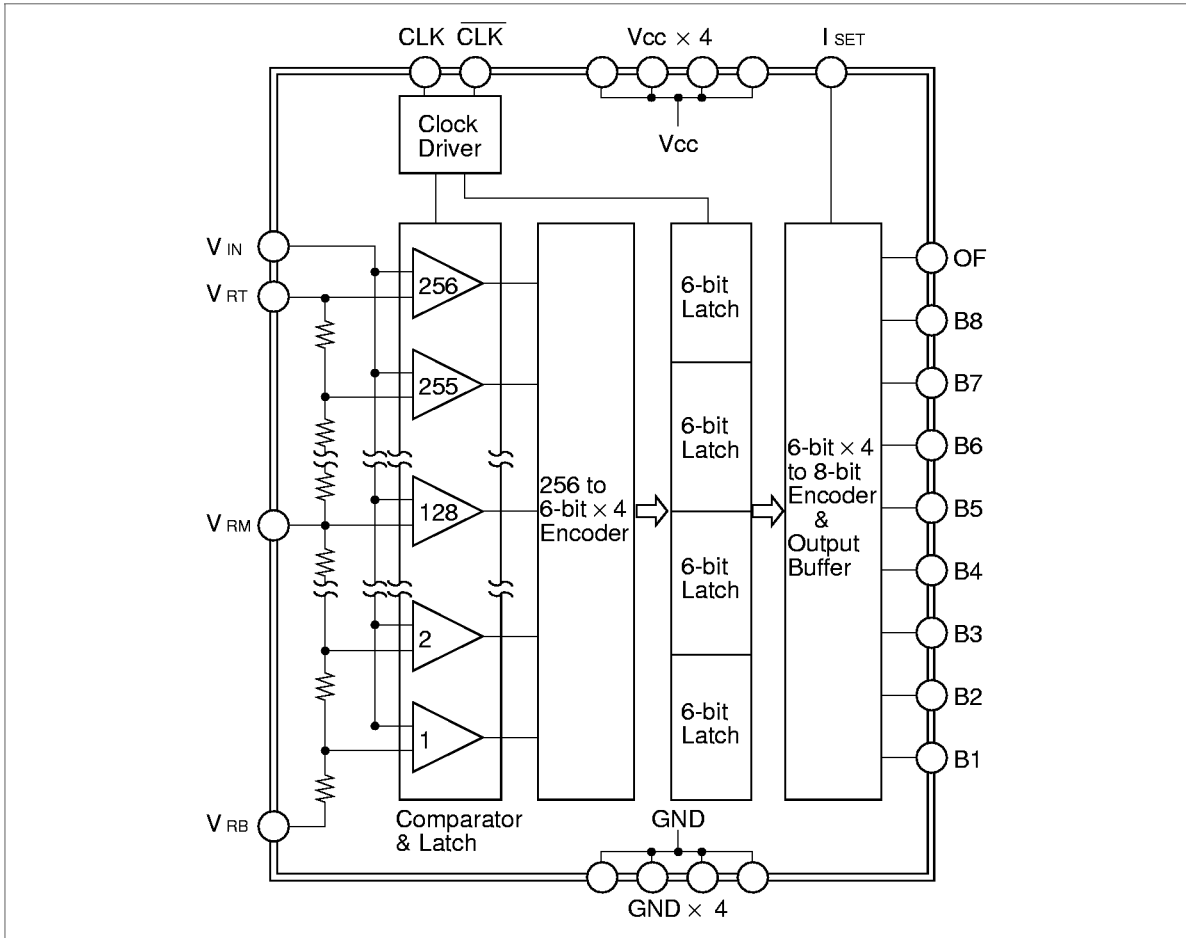
## HA19211BP/BNT/BMP

---

### HA19211BNT

Pin No.	Symbol	Function
1	$\overline{\text{CLK}}$	Inverted clock input
2	NC	No connected
3	CLK	Clock input
4	$V_{\text{RM}}$	Reference voltage compensation input
5	GND	Ground
6	$V_{\text{CC}}$	Power supply (+5 V)
7	NC	No connected
8	NC	No connected
9	$V_{\text{RB}}$	Low-level reference voltage input
10	$V_{\text{CC}}$	Power supply (+5 V)
11	GND	Ground
12	B8	Digital output (MSB)
13	B7	Digital output
14	B6	Digital output
15	B5	Digital output
16	B4	Digital output
17	B3	Digital output
18	B2	Digital output
19	B1	Digital output (LSB)
20	GND	Ground
21	$V_{\text{CC}}$	Power supply (+5 V)
22	$V_{\text{RT}}$	High-level reference voltage input
23	NC	No connected
24	OF	Digital output (overflow)
25	$V_{\text{CC}}$	Power supply (+5 V)
26	GND	Ground
27	NC	No connected
28	NC	No connected
29	$V_{\text{IN}}$	Analog input
30	$I_{\text{SET}}$	Output current setting input

Block Diagram



---

## HA19211BP/BNT/BMP

---

### Absolute Maximum Ratings ( Ta = 25°C unless otherwise specified)

Parameter	Symbol	Rating	Unit
Power supply voltage	$V_{CC}$	+7.0	V
Analog Input voltage* <sup>1</sup>	$V_{IN}$	0 to $V_{CC} - 0.9$	V
Reference voltage* <sup>1</sup>	$V_R$	0 to $V_{CC} - 0.9$	V
Clock input voltage* <sup>2</sup>	$V_{CLK}$	0 to $V_{CC}$	V
Power dissipation	$P_T$	800	mW
Operating temperature	Topr	-20 to +85	°C
Storage temperature	Tstg	-55 to +125	°C
Reference voltage difference	$V_{RT} - V_{RB}$	2.1	V
Output current setting	$I_{SET(max)}$	5	mA
Reference center tap voltage	$V_{RM}$	Open state voltage $\pm 0.1$	V

Notes: 1.  $V_{IN}$  and  $V_R$  should never be below 1.2 V at the same time.  
2.  $V_{CLK}$  and  $V_{CLK}$  should never be below 1.5 V at the same time.

## HA19211BP/BNT/BMP

**Electrical Characteristics** ( $T_a = 25^\circ\text{C}$ ,  $V_{CC} = 5\text{ V}$ ,  $V_{RT} = 3.5\text{ V}$ ,  $V_{RB} = 1.5\text{ V}$ , unless otherwise specified)

Item	Symbol	Min	Typ	Max	Unit	Test conditions
Resolution		8	8	8	bits	
Power supply voltage	$V_{CC}$	4.75	5.0	5.25	V	
Power supply current	$I_{CC}$	—	50	75	mA	$V_{CC} = 5.0\text{ V}$ , $f_{CLK} = 20\text{ Msps}$ , $I_{SET} = 0\text{ mA}$
Reference current (+)	$I_{RT}$	—	11	14.5	mA	
Reference current (–)	$I_{RB}$	–14.5	–11	—	mA	
Input current	$I_{IN}$	—	70	200	$\mu\text{A}$	$V_{IN} = 4.1\text{ V}$
Input capacitance	$C_{IN}$	—	40	—	pF	$f_{IN} = 1\text{ MHz}$ , $V_{RB} < V_{IN} < V_{RT}$
Digital output high voltage	$V_{OH1}$	4.0	4.2	—	V	$I_{OH} = -400\text{ }\mu\text{A}$ , $I_{SET} = 0\text{ mA}$
	$V_{OH2}$	3.5	3.8	—	V	$I_{OH} = -5\text{ mA}$ , $I_{SET} = 0\text{ mA}$
Digital output low voltage	$V_{OL}$	—	0.6	0.70	V	$I_{OL} = 400\text{ }\mu\text{A}$ , $I_{SET} = 2\text{ mA}$
Clock input current	$I_I$	–400	—	400	$\mu\text{A}$	$V_{CLK}$ : 0.4 V to 2.7 V
Clock input high voltage	$V_{IH}$	2.0	—	$V_{CC}$	V	
Clock input low voltage	$V_{IL}$	0	—	0.8	V	
Static linearity	Differential	D.N.L	–0.5	—	0.5	LSB
Error	Integral	I.N.L	—	—	2.0	LSB <sub>P-P</sub>
Maximum conversion rate	$f_{CLK}$	20	—	—	Msps	$f_{IN} = 3.58\text{ MHz}$
Differential gain	DG	—	1.0	—	%	$f_{CLK} = 20\text{ Msps}$ , NTSC,
Differential phase	DP	—	0.5	—	deg	40 IRE UNLOCKED
Clock pulse width	$t_{WH}$	25	30	—	ns	$f_{CLK} = 20\text{ Msps}$
	$t_{WL}$	15	20	—	ns	$I_{SET} = 5\text{ mA}$
Digital output delay time	$t_{PD}$	—	35	46	ns	
Digital output hold time	$t_{HOLD}$	5	10	—	ns	

---

## HA19211BP/BNT/BMP

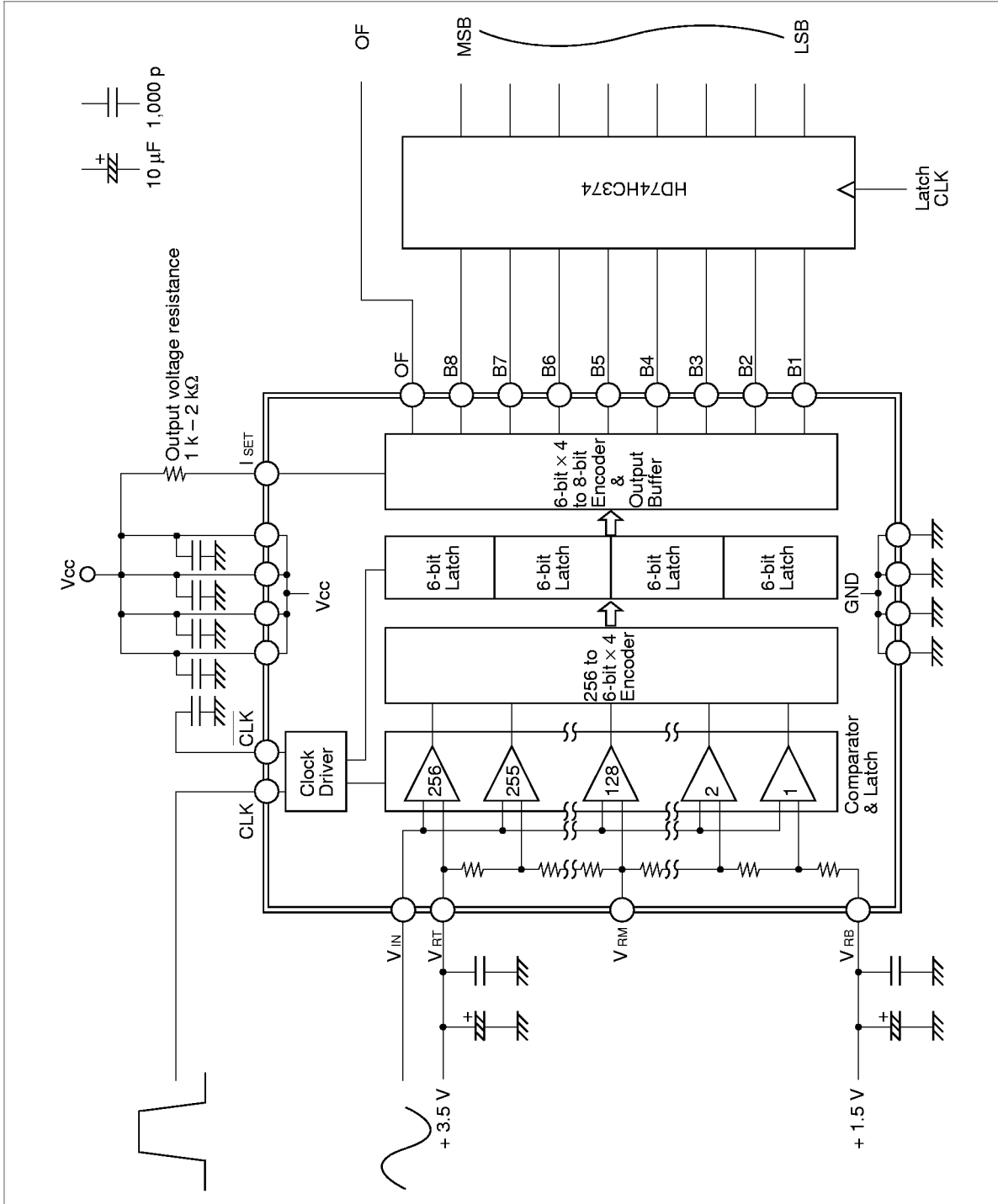
---

### Output Code Table

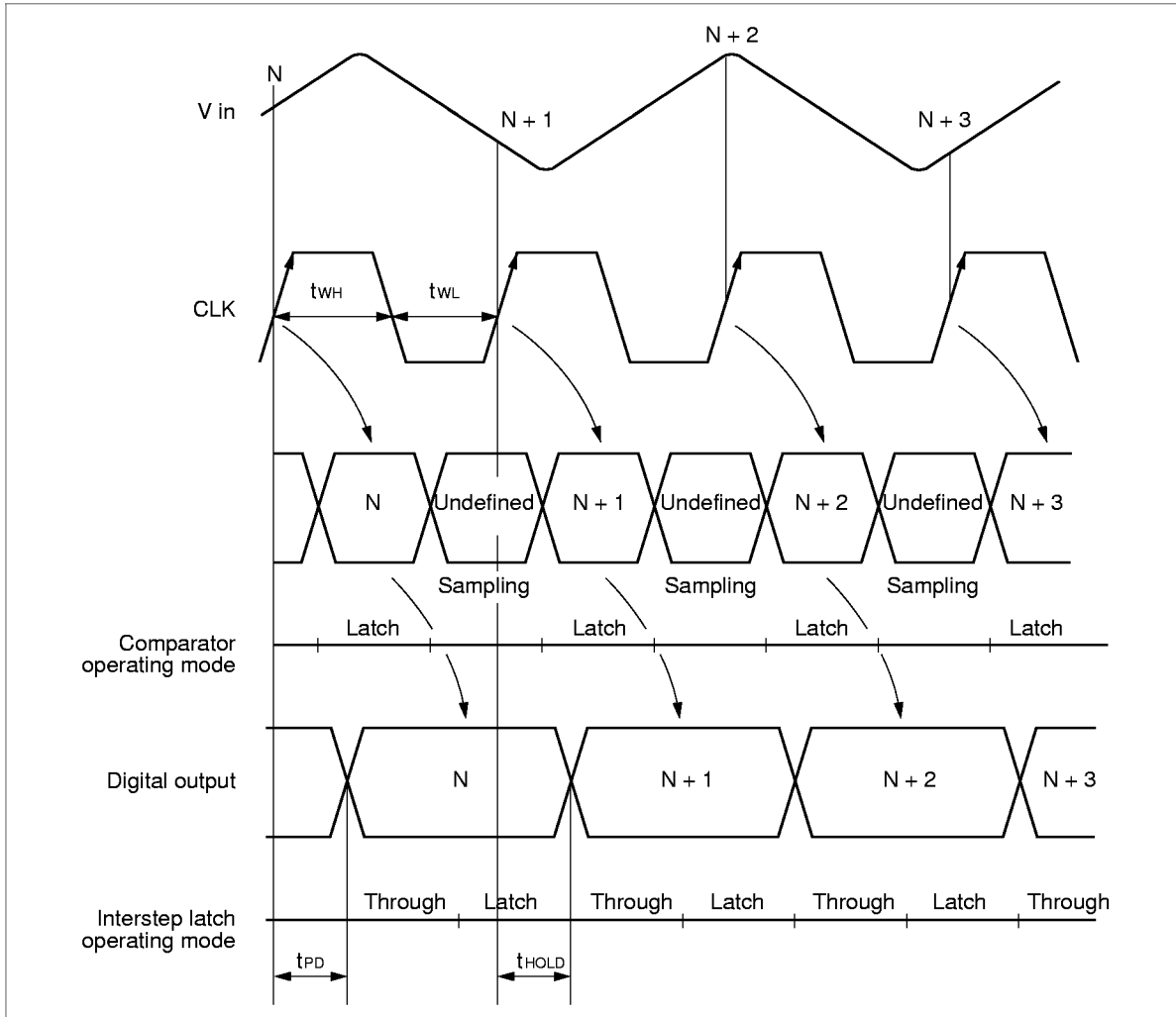
Input voltage	OF	B8	B7	...	B2	B1
$V_{RB}$	0	0	0		0	0
$V_{RB} + 1\text{LSB}$	0	0	0		0	1
$V_{RB} + 2\text{LSB}$	0	0	0		1	0
$V_{RB} + 127\text{LSB}$	0	0	1		1	1
$V_{RB} + 128\text{LSB}$	0	1	0		0	0
$V_{RT} - 2\text{LSB}$	0	1	1		1	0
$V_{RT} - 1\text{LSB}$	0	1	1		1	1
$V_{RT}$	1	1	1		1	1



Application Example



**Timing Chart**



When using this document, keep the following in mind:

1. This document may, wholly or partially, be subject to change without notice.
2. All rights are reserved: No one is permitted to reproduce or duplicate, in any form, the whole or part of this document without Hitachi's permission.
3. Hitachi will not be held responsible for any damage to the user that may result from accidents or any other reasons during operation of the user's unit according to this document.
4. Circuitry and other examples described herein are meant merely to indicate the characteristics and performance of Hitachi's semiconductor products. Hitachi assumes no responsibility for any intellectual property claims or other problems that may result from applications based on the examples described herein.
5. No license is granted by implication or otherwise under any patents or other rights of any third party or Hitachi, Ltd.
6. **MEDICAL APPLICATIONS:** Hitachi's products are not authorized for use in **MEDICAL APPLICATIONS** without the written consent of the appropriate officer of Hitachi's sales company. Such use includes, but is not limited to, use in life support systems. Buyers of Hitachi's products are requested to notify the relevant Hitachi sales offices when planning to use the products in **MEDICAL APPLICATIONS**.

---

---

# HITACHI

## **Hitachi, Ltd.**

Semiconductor & IC Div.  
Nippon Bldg., 2-6-2, Ohte-machi, Chiyoda-ku, Tokyo 100, Japan  
Tel: Tokyo (03) 3270-2111  
Fax: (03) 3270-5109

### **For further information write to:**

Hitachi America, Ltd.  
Semiconductor & IC Div.  
2000 Sierra Point Parkway  
Brisbane, CA. 94005-1835  
U S A  
Tel: 415-589-8300  
Fax: 415-583-4207

Hitachi Europe GmbH  
Electronic Components Group  
Continental Europe  
Dornacher Straße 3  
D-85622 Feldkirchen  
München  
Tel: 089-9 91 80-0  
Fax: 089-9 29 30 00

Hitachi Europe Ltd.  
Electronic Components Div.  
Northern Europe Headquarters  
Whitebrook Park  
Lower Cookham Road  
Maidenhead  
Berkshire SL6 8YA  
United Kingdom  
Tel: 0628-585000  
Fax: 0628-778322

Hitachi Asia Pte. Ltd.  
16 Collyer Quay #20-00  
Hitachi Tower  
Singapore 0104  
Tel: 535-2100  
Fax: 535-1533

Hitachi Asia (Hong Kong) Ltd.  
Unit 706, North Tower,  
World Finance Centre,  
Harbour City, Canton Road  
Tsim Sha Tsui, Kowloon  
Hong Kong  
Tel: 27359218  
Fax: 27306071