



## Device Overview

The 89HPES3T3 is a member of IDT's PRECISE™ family of PCI Express switching solutions. The PES3T3 is a 3-lane, 3-port peripheral chip that performs PCI Express Base switching. It provides connectivity and switching functions between a PCI Express upstream port and up to four downstream ports and supports switching between downstream ports.

## Features

- ◆ **High Performance PCI Express Switch**
  - Three 2.5Gbps PCI Express lanes
  - Three switch ports
  - x1 Upstream port
  - Two x1 Downstream ports
  - Low latency cut-through switch architecture
  - Support for Max payload sizes up to 256 bytes
  - One virtual channel
  - Eight traffic classes
  - PCI Express Base Specification Revision 1.1 compliant
- ◆ **Flexible Architecture with Numerous Configuration Options**
  - Automatic lane reversal on all ports
  - Automatic polarity inversion on all lanes
  - Ability to load device configuration from serial EEPROM
- ◆ **Legacy Support**
  - PCI compatible INTx emulation
  - Bus locking

- ◆ **Highly Integrated Solution**
  - Requires no external components
  - Incorporates on-chip internal memory for packet buffering and queueing
  - Integrates three 2.5 Gbps embedded SerDes with 8B/10B encoder/decoder (no separate transceivers needed)
- ◆ **Reliability, Availability, and Serviceability (RAS) Features**
  - Internal end-to-end parity protection on all TLPs ensures data integrity even in systems that do not implement end-to-end CRC (ECRC)
  - Supports ECRC and Advanced Error Reporting
  - Supports PCI Express Native Hot-Plug, Hot-Swap capable I/O
  - Compatible with Hot-Plug I/O expanders used on PC motherboards
- ◆ **Power Management**
  - Utilizes advanced low-power design techniques to achieve low typical power consumption
  - Supports PCI Power Management Interface specification (PCI-PM 1.2)
  - Unused SerDes are disabled.
  - Supports Advanced Configuration and Power Interface Specification, Revision 2.0 (ACPI) supporting active link state
- ◆ **Testability and Debug Features**
  - Built in Pseudo-Random Bit Stream (PRBS) generator
  - Numerous SerDes test modes
  - Ability to bypass link training and force any link into any mode
  - Provides statistics and performance counters

Advance Information

## Block Diagram

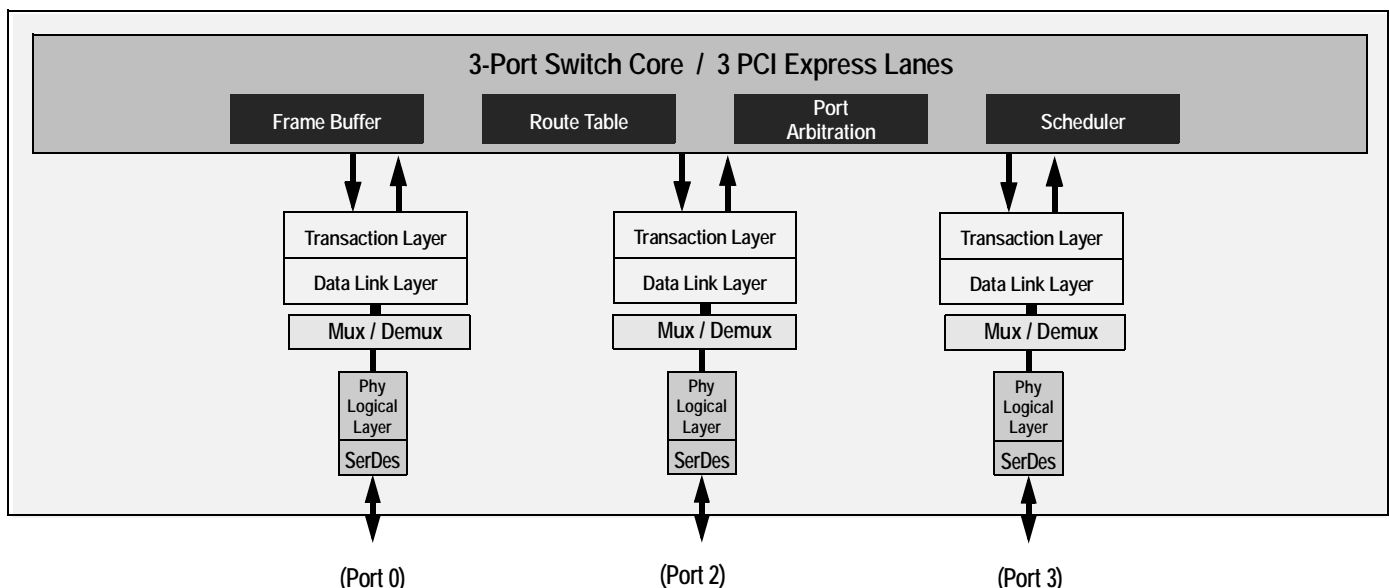


Figure 1 Internal Block Diagram

IDT and the IDT logo are registered trademarks of Integrated Device Technology, Inc.

- ◆ **Five General Purpose Input/Output Pins**
  - Each pin may be individually configured as an input or output
  - Each pin may be individually configured as an interrupt input
  - Four pins have selectable alternate functions
- ◆ **Packaged in a 13mm x 13mm 144-ball BGA with 1mm ball spacing**

## Product Description

Utilizing standard PCI Express interconnect, the PES3T3 provides the most efficient fan-out solution for applications requiring x1 connectivity, low latency, and simple board layout with a minimum number of board layers. Each lane provides 2.5 Gbps of bandwidth in both directions and is fully compliant with PCI Express Base specification 1.1.

The PES3T3 is based on a flexible and efficient layered architecture. The PCI Express layer consists of SerDes, Physical, Data Link and Transaction layers in compliance with PCI Express Base specification Revision 1.1. The PES3T3 can operate either as a store and forward or cut-through switch and is designed to switch memory and I/O transactions. It supports eight Traffic Classes (TCs) and one Virtual Channel (VC) with sophisticated resource management to allow efficient switching for applications requiring additional narrow port connectivity and also some high-end connectivity.

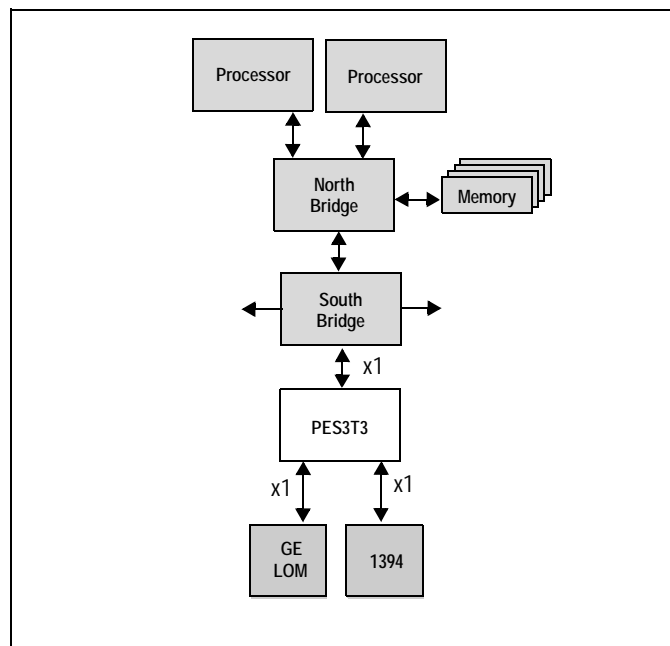


Figure 2 I/O Expansion Application

## SMBus Interface

The PES3T3 contains an SMBus master interface. This master interface allows the default configuration register values of the PES3T3 to be overridden following a reset with values programmed in an external serial EEPROM. The master interface is also used by an external Hot-Plug I/O expander. Two pins make up the SMBus master interface. These pins consist of an SMBus clock pin and an SMBus data pin.

## Hot-Plug Interface

The PES3T3 supports PCI Express Hot-Plug on each downstream port. To reduce the number of pins required on the device, the PES3T3 utilizes an external I/O expander, such as that used on PC motherboards, connected to the SMBus master interface. Following reset and configuration, whenever the state of a Hot-Plug output needs to be modified, the PES3T3 generates an SMBus transaction to the I/O expander with the new value of all of the outputs. Whenever a Hot-Plug input changes, the I/O expander generates an interrupt which is received on the IOEXPINTN input pin (alternate function of GPIO) of the PES3T3. In response to an I/O expander interrupt, the PES3T3 generates an SMBus transaction to read the state of all of the Hot-Plug inputs from the I/O expander.

## General Purpose Input/Output

The PES3T3 provides 5 General Purpose Input/Output (GPIO) pins that may be used by the system designer as bit I/O ports. Each GPIO pin may be configured independently as an input or output through software control, and each GPIO pin is shared with another on-chip function. These alternate functions may be enabled via software or serial configuration EEPROM.

## Pin Description

The following tables lists the functions of the pins provided on the PES3T3. Some of the functions listed may be multiplexed onto the same pin. The active polarity of a signal is defined using a suffix. Signals ending with an "N" are defined as being active, or asserted, when at a logic zero (low) level. All other signals (including clocks, buses, and select lines) will be interpreted as being active, or asserted, when at a logic one (high) level.

| Signal                 | Type | Name/Description  |
|------------------------|------|---|
| PE0RP[0]<br>PE0RN[0]   | I    | <b>PCI Express Port 0 Serial Data Receive.</b> Differential PCI Express receive pair for port 0.  |
| PE0TP[0]<br>PE0TN[0]   | O    | <b>PCI Express Port 0 Serial Data Transmit.</b> Differential PCI Express transmit pair for port 0.  |
| PE2RP[0]<br>PE2RN[0]   | I    | <b>PCI Express Port 2 Serial Data Receive.</b> Differential PCI Express receive pair for port 2.  |
| PE2TP[0]<br>PE2TN[0]   | O    | <b>PCI Express Port 2 Serial Data Transmit.</b> Differential PCI Express transmit pair for port 2.  |
| PE3RP[0]<br>PE3RN[0]   | I    | <b>PCI Express Port 3 Serial Data Receive.</b> Differential PCI Express receive pair for port 3.  |
| PE3TP[0]<br>PE3TN[0]   | O    | <b>PCI Express Port 3 Serial Data Transmit.</b> Differential PCI Express transmit pair for port 3.  |
| PEREFCLKP<br>PEREFCLKN | I    | <b>PCI Express Reference Clock.</b> Differential reference clock pair input. This clock is used as the reference clock by on-chip PLLs to generate the clocks required for the system logic and on-chip SerDes. The frequency of the differential reference clock is 100 MHz. |

Table 1 PCI Express Interface Pins

| Signal  | Type | Name/Description   |
|---------|------|--|
| MSMBCLK | I/O  | <b>Master SMBus Clock.</b> This bidirectional signal is used to synchronize transfers on the master SMBus. |
| MSMBDAT | I/O  | <b>Master SMBus Data.</b> This bidirectional signal is used for data on the master SMBus.                  |

Table 2 SMBus Interface Pins

| Signal  | Type | Name/Description  |
|---------|------|---|
| GPIO[0] | I/O  | <b>General Purpose I/O.</b><br>This pin can be configured as a general purpose I/O pin.<br>Alternate function pin name: P2RSTN<br>Alternate function pin type: Output<br>Alternate function: Reset output for downstream port 2 |
| GPIO[1] | I/O  | <b>General Purpose I/O.</b><br>This pin can be configured as a general purpose I/O pin.   |
| GPIO[2] | I/O  | <b>General Purpose I/O.</b><br>This pin can be configured as a general purpose I/O pin.<br>Alternate function pin name: IOEXPINTN0<br>Alternate function pin type: Input<br>Alternate function: I/O Expander interrupt 0 input  |
| GPIO[7] | I/O  | <b>General Purpose I/O.</b><br>This pin can be configured as a general purpose I/O pin.<br>Alternate function pin name: GPEN<br>Alternate function pin type: Output<br>Alternate function: General Purpose Event (GPE) output   |
| GPIO[9] | I/O  | <b>General Purpose I/O.</b><br>This pin can be configured as a general purpose I/O pin.<br>Alternate function pin name: P3RSTN<br>Alternate function pin type: Output<br>Alternate function: Reset output for downstream port 3 |

Table 3 General Purpose I/O Pins

| Signal   | Type | Name/Description  |
|----------|------|---|
| APWRDISN | I    | <b>Auxiliary Power Disable Input.</b> When this pin is active, it disables the device from using auxiliary power supply.  |
| CCLKDS   | I    | <b>Common Clock Downstream.</b> The assertion of this pin indicates that all downstream ports are using the same clock source as that provided to downstream devices. This bit is used as the initial value of the Slot Clock Configuration bit in all of the Link Status Registers for downstream ports. The value may be override by modifying the SCLK bit in the downstream port's PCIELSTS register. |
| CCLKUS   | I    | <b>Common Clock Upstream.</b> The assertion of this pin indicates that the upstream port is using the same clock source as the upstream device. This bit is used as the initial value of the Slot Clock Configuration bit in the Link Status Register for the upstream port. The value may be overridden by modifying the SCLK bit in the PA_PCIEELSTS register.  |
| PERSTN   | I    | <b>Fundamental Reset.</b> Assertion of this signal resets all logic inside the PES3T3 and initiates a PCI Express fundamental reset.  |

Table 4 System Pins (Part 1 of 2)

| Signal      | Type | Name/Description   |
|-------------|------|--|
| RSTHALT     | I    | <b>Reset Halt.</b> When this signal is asserted during a PCI Express fundamental reset, the PES3T3 executes the reset procedure and remains in a reset state with the Master SMBus active. This allows software to read and write registers internal to the device before normal device operation begins. The device exits the reset state when the RSTHALT bit is cleared in the PA_SWCTL register by the SMBus master. |
| SWMODE[2:0] | I    | <b>Switch Mode.</b> These configuration pins determine the PES3T3 switch operating mode.<br>0x0 - Normal switch mode<br>0x1 - Normal switch mode with Serial EEPROM initialization<br>0x2 - through 0xF Reserved   |
| WAKEN       | I/O  | <b>Wake Input/Output.</b> The WAKEN signal is an input or output. The WAKEN signal input/output selection can be made through WAKEDIR bit setting in the WAKEUPCNTL register.  |

Table 4 System Pins (Part 2 of 2)

| Signal      | Type | Name/Description   |
|-------------|------|--|
| JTAG_TCK    | I    | <b>JTAG Clock.</b> This is an input test clock used to clock the shifting of data into or out of the boundary scan logic or JTAG Controller. JTAG_TCK is independent of the system clock with a nominal 50% duty cycle.  |
| JTAG_TDI    | I    | <b>JTAG Data Input.</b> This is the serial data input to the boundary scan logic or JTAG Controller.   |
| JTAG_TDO    | O    | <b>JTAG Data Output.</b> This is the serial data shifted out from the boundary scan logic or JTAG Controller. When no data is being shifted out, this signal is tri-stated.  |
| JTAG_TMS    | I    | <b>JTAG Mode.</b> The value on this signal controls the test mode select of the boundary scan logic or JTAG Controller.  |
| JTAG_TRST_N | I    | <b>JTAG Reset.</b> This active low signal asynchronously resets the boundary scan logic and JTAG TAP Controller. An external pull-up on the board is recommended to meet the JTAG specification in cases where the tester can access this signal. However, for systems running in functional mode, one of the following should occur:<br>1) actively drive this signal low with control logic<br>2) statically drive this signal low with an external pull-down on the board |

Table 5 Test Pins

| Signal               | Type | Name/Description   |
|----------------------|------|--|
| V <sub>DD</sub> CORE | I    | <b>Core VDD.</b> Power supply for core logic.  |
| V <sub>DD</sub> I/O  | I    | <b>I/O VDD.</b> LVTTTL I/O buffer power supply.  |
| V <sub>DD</sub> PE   | I    | <b>PCI Express Digital Power.</b> PCI Express digital power used by the digital power of the SerDes. |
| V <sub>DD</sub> APE  | I    | <b>PCI Express Analog Power.</b> PCI Express analog power used by the PLL and bias generator.        |
| V <sub>TT</sub> PE   | I    | <b>PCI Express Termination Power.</b>  |
| V <sub>SS</sub>      | I    | <b>Ground.</b>   |

Table 6 Power and Ground Pins

## Pin Characteristics

**Note:** Some input pads of the PES3T3 do not contain internal pull-ups or pull-downs. Unused inputs should be tied off to appropriate levels. This is especially critical for unused control signal inputs which, if left floating, could adversely affect operation. Also, any input pin left floating can cause a slight increase in power consumption.

| Function                   | Pin Name      | Type | Buffer | I/O Type         | Internal Resistor | Notes                |
|----------------------------|---------------|------|--------|------------------|-------------------|----------------------|
| PCI Express Inter-<br>face | PE0RN[0]      | I    | CML    | Serial Link      |                   |                      |
|                            | PE0RP[0]      | I    |        |                  |                   |                      |
|                            | PE0TN[0]      | O    |        |                  |                   |                      |
|                            | PE0TP[0]      | O    |        |                  |                   |                      |
|                            | PE2RN[0]      | I    |        |                  |                   |                      |
|                            | PE2RP[0]      | I    |        |                  |                   |                      |
|                            | PE2TN[0]      | O    |        |                  |                   |                      |
|                            | PE2TP[0]      | O    |        |                  |                   |                      |
|                            | PE3RN[0]      | I    |        |                  |                   |                      |
|                            | PE3RP[0]      | I    |        |                  |                   |                      |
|                            | PE3TN[0]      | O    |        |                  |                   |                      |
|                            | PE3TP[0]      | O    |        |                  |                   |                      |
|                            | PEREFCLKN     | I    |        |                  | LVPECL/<br>CML    | Diff. Clock<br>Input |
|                            | PEREFCLKP     | I    |        |                  |                   |                      |
| SMBus                      | MSMBCLK       | I/O  | LVTTTL | STI <sup>1</sup> |                   |                      |
|                            | MSMBDAT       | I/O  |        | STI              |                   |                      |
| General Purpose I/O        | GPIO[9,7,2:0] | I/O  | LVTTTL | High Drive       | pull-up           |                      |
| System Pins                | APWRDISN      | I    | LVTTTL | Input            | pull-down         |                      |
|                            | CCLKDS        | I    |        |                  | pull-up           |                      |
|                            | CCLKUS        | I    |        |                  | pull-up           |                      |
|                            | PERSTN        | I    |        |                  |                   |                      |
|                            | RSTHALT       | I    |        |                  | pull-down         |                      |
|                            | SWMODE[2:0]   | I    |        |                  | pull-down         |                      |
|                            | WAKEN         | I/O  |        |                  | open-drain        |                      |
| EJTAG / JTAG               | JTAG_TCK      | I    | LVTTTL | STI              | pull-up           |                      |
|                            | JTAG_TDI      | I    |        | STI              | pull-up           |                      |
|                            | JTAG_TDO      | O    |        |                  |                   |                      |
|                            | JTAG_TMS      | I    |        | STI              | pull-up           |                      |
|                            | JTAG_TRST_N   | I    |        | STI              | pull-up           |                      |

Table 7 Pin Characteristics

<sup>1</sup>. Schmitt Trigger Input (STI).

# Logic Diagram — PES3T3

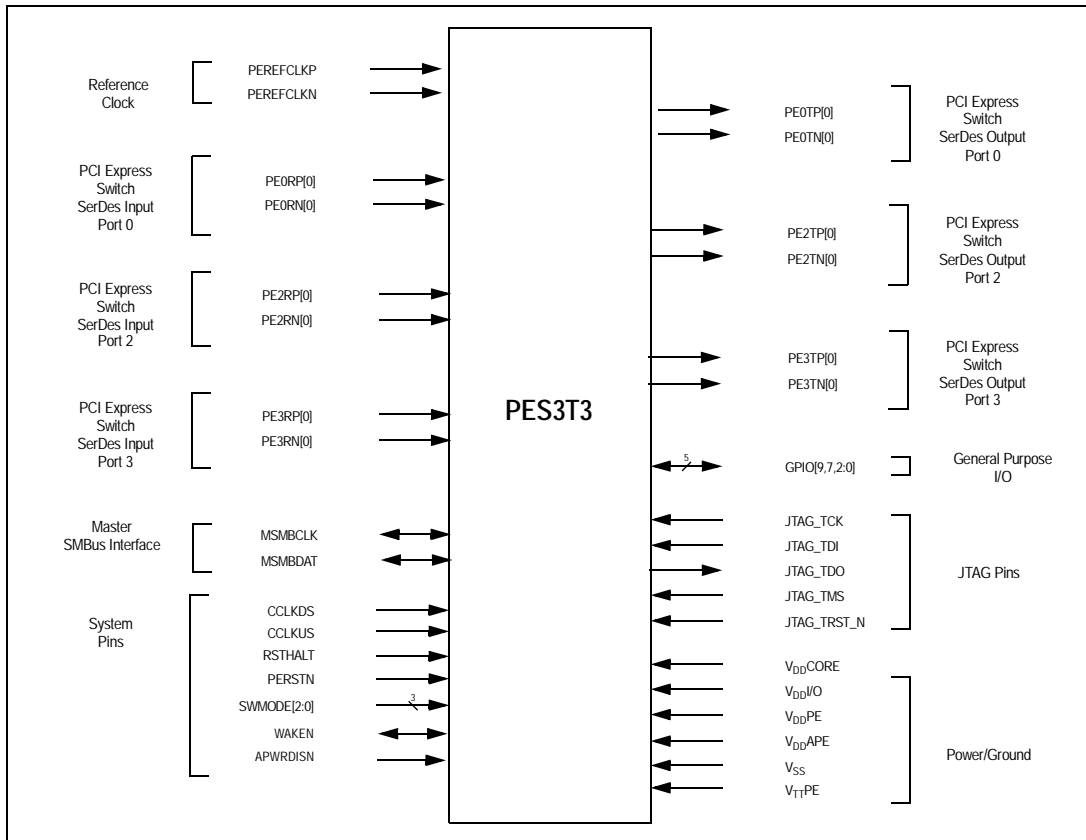


Figure 3 PES3T3 Logic Diagram

Advance Information

## System Clock Parameters

Values based on systems running at recommended supply voltages and operating temperatures, as shown in Tables 12 and 13.

| Parameter                         | Description                                   | Min | Typical | Max      | Unit              |
|-----------------------------------|---|-----|---------|----------|-------------------|
| <b>PEREFCLK</b>                   |   |     |         |          |                   |
| Refclk <sub>FREQ</sub>            | Input reference clock frequency range         | 100 |         |          | MHz               |
| Refclk <sub>DC</sub> <sup>1</sup> | Duty cycle of input clock                     | 40  | 50      | 60       | %                 |
| T <sub>R</sub> , T <sub>F</sub>   | Rise/Fall time of input clocks                |     |         | 0.2*RCUI | RCUI <sup>2</sup> |
| V <sub>SW</sub>                   | Differential input voltage swing <sup>3</sup> | 0.6 |         | 1.6      | V                 |
| T <sub>jitter</sub>               | Input clock jitter (cycle-to-cycle)           |     |         | 125      | ps                |

**Table 8 Input Clock Requirements**

<sup>1</sup> ClkIn must be AC coupled. Use 0.01 — 0.1 μF ceramic capacitors.

<sup>2</sup> RCUI (Reference Clock Unit Interval) refers to the reference clock period.

<sup>3</sup> AC coupling required.

## AC Timing Characteristics

| Parameter                                   | Description  | Min    | Typical | Max               | Units |
|---|--|--------|---------|-------------------|-------|
| <b>PCIe Transmit</b>                        |  |        |         |                   |       |
| T <sub>TX-RISE</sub> , T <sub>TX-FALL</sub> | Rise / Fall time of TxP, TxN outputs   | 80     |         | 110 <sup>1</sup>  | ps    |
| UI  | Unit Interval  | 399.88 | 400     | 400.12            | ps    |
| T <sub>TX-MAX-JITTER</sub>                  | Transmitter Total Jitter (peak-to-peak)  |        |         | 0.25 <sup>2</sup> | UI    |
| T <sub>TX-EYE</sub>                         | Minimum Tx Eye Width (1 - T <sub>TX-MAX-JITTER</sub> )   | 0.75   |         |                   | UI    |
| T <sub>TX-EYE-MEDIAN-to-MAX-JITTER</sub>    | Maximum time between the jitter median and maximum deviation from the median                       |        |         | 0.15              | UI    |
| L <sub>TLAT-10</sub>                        | Transmitter data latency (for n=10)  | 9      |         | 11                | bits  |
| L <sub>TLAT-20</sub>                        | Transmitter data latency (for n=20)  | 9      |         | 11                | bits  |
| T <sub>TX-SKEW</sub>                        | Transmitter data skew between any 2 lanes  |        | 500     | 1300              | ps    |
| T <sub>TX-IDLE-SET-TO-IDLE</sub>            | Maximum time to transition to a valid electrical idle after sending an Electrical Idle ordered set |        | 4       | 6                 | ns    |
| T <sub>EIExit</sub>                         | Time to exit Electrical Idle (LOs) state into LO   |        | 12      | 16                | ns    |
| T <sub>BTEn</sub>                           | Time from asserting Beacon TxEn to beacon being transmitted on the lane                            |        | 30      | 80                | ns    |
| T <sub>RxDetectEn</sub>                     | Pulse width of RxDetectEn input  | 9.8    | 10      | 10.2              | ns    |
| T <sub>RxDetect</sub>                       | RxDetectEn falling edge to RxDetect delay  |        | 1       | 2                 | ns    |
| <b>PCIe Receive</b>                         |  |        |         |                   |       |
| L <sub>RLAT-10</sub>                        | Recover data latency for n=10  | 28     |         | 29                | bits  |
| L <sub>RLAT-20</sub>                        | Recover data latency for n=20  | 49     |         | 60                | bits  |
| T <sub>RX-SKEW</sub>                        | Receiver data skew between any 2 lanes   |        |         | 20                | ns    |

**Table 9 PCIe AC Timing Characteristics (Part 1 of 2)**



| Parameter                                | Description  | Min  | Typical | Max   | Units |
|--|--|------|---------|-------|-------|
| T <sub>BDDly</sub>                       | Beacon-Activity on channel to detection of Beacon <sup>3</sup>                                       |      |         | 200   | μs    |
| T <sub>RX-IDLE_ENTER</sub>               | Delay from detection of Electrical Idle condition on the channel to assertion of TxIdleDetect output |      | 10      | 20    | ns    |
| T <sub>RX-IDLE_EXIT</sub>                | Delay from detection of L0s to L0 transition to de-assertion of TxIdleDetect output                  |      | 5       | 10    | ns    |
| T <sub>RX-MAX-JITTER</sub>               | Receiver total jitter tolerance  |      |         | 0.65  | UI    |
| T <sub>RX-EYE</sub>                      | Minimum Receiver Eye Width   | 0.35 |         |       | UI    |
| T <sub>RX-EYE-MEDIAN-to-MAX JITTER</sub> | Maximum time between jitter median and max deviation from median                                     |      |         | 0.325 | UI    |

Table 9 PCIe AC Timing Characteristics (Part 2 of 2)

- <sup>1</sup>. As measured between 20% and 80% points. Will depend on package characteristics.
- <sup>2</sup>. Measured using PCI Express Compliance Pattern.
- <sup>3</sup>. This is a function of beacon frequency.

| Signal                     | Symbol               | Reference Edge | Min | Max | Unit | Timing Diagram Reference |
|----------------------------|----------------------|----------------|-----|-----|------|--------------------------|
| GPIO                       |                      |                |     |     |      |                          |
| GPIO[9,7,2:0] <sup>1</sup> | Tpw_13b <sup>2</sup> | None           | 50  | —   | ns   | See Figure 4.            |

Table 10 GPIO AC Timing Characteristics

- <sup>1</sup>. GPIO signals must meet the setup and hold times if they are synchronous or the minimum pulse width if they are asynchronous.
- <sup>2</sup>. The values for this symbol were determined by calculation, not by testing.

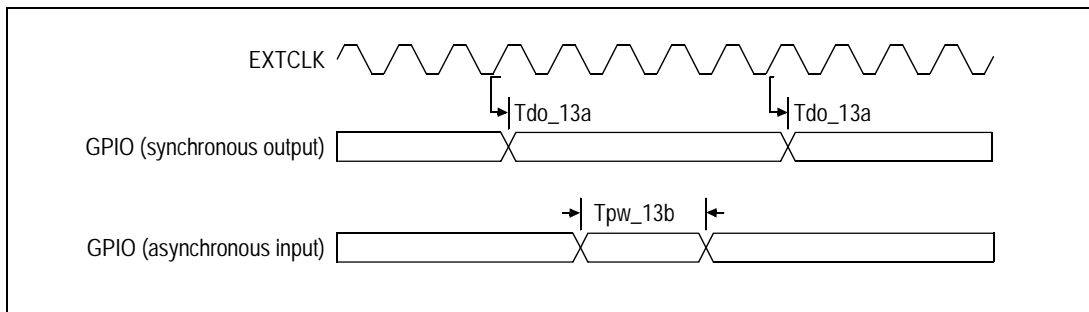


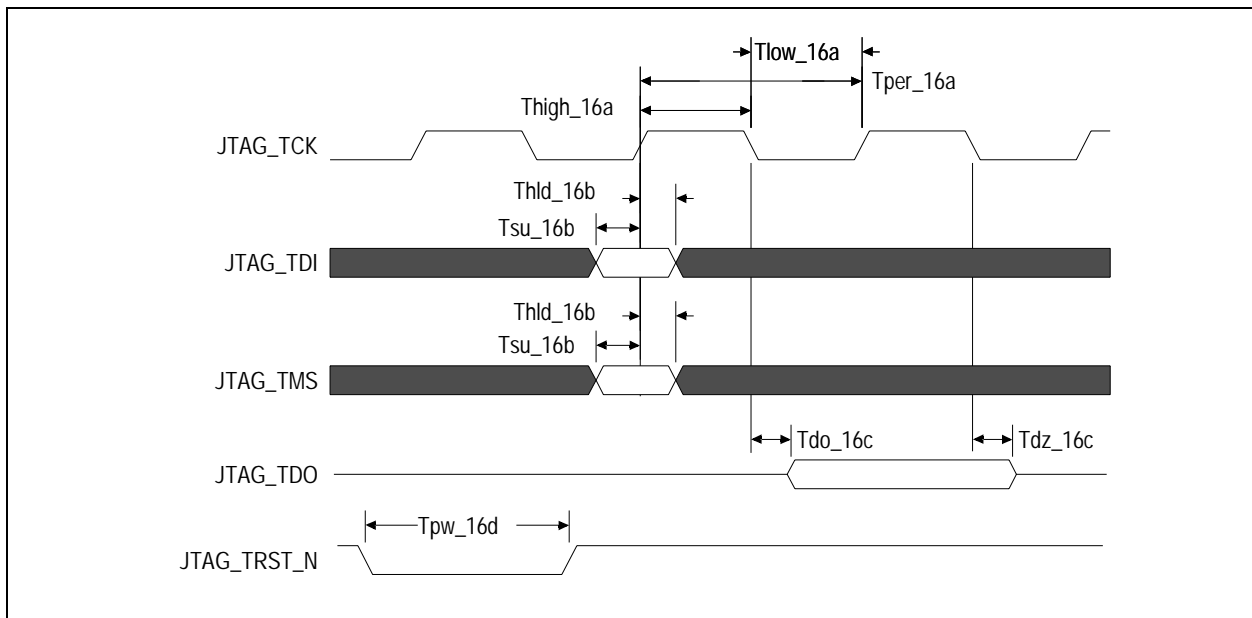
Figure 4 GPIO AC Timing Waveform

| Signal                           | Symbol               | Reference Edge   | Min  | Max  | Unit | Timing Diagram Reference |
|----------------------------------|----------------------|------------------|------|------|------|--------------------------|
| <b>JTAG</b>                      |                      |                  |      |      |      |                          |
| JTAG_TCK                         | Tper_16a             | none             | 25.0 | 50.0 | ns   | See Figure 5.            |
|                                  | Thigh_16a, Tlow_16a  |                  | 10.0 | 25.0 | ns   |                          |
| JTAG_TMS <sup>1</sup> , JTAG_TDI | Tsu_16b              | JTAG_TCK rising  | 2.4  | —    | ns   |                          |
|                                  | Thld_16b             |                  | 1.0  | —    | ns   |                          |
| JTAG_TDO                         | Tdo_16c              | JTAG_TCK falling | —    | 11.3 | ns   |                          |
|                                  | Tdz_16c <sup>2</sup> |                  | —    | 11.3 | ns   |                          |
| JTAG_TRST_N                      | Tpw_16d <sup>2</sup> | none             | 25.0 | —    | ns   |                          |

**Table 11 JTAG AC Timing Characteristics**

<sup>1</sup> The JTAG specification, IEEE 1149.1, recommends that JTAG\_TMS should be held at 1 while the signal applied at JTAG\_TRST\_N changes from 0 to 1. Otherwise, a race may occur if JTAG\_TRST\_N is deasserted (going from low to high) on a rising edge of JTAG\_TCK when JTAG\_TMS is low, because the TAP controller might go to either the Run-Test/Idle state or stay in the Test-Logic-Reset state.

<sup>2</sup> The values for this symbol were determined by calculation, not by testing.



**Figure 5 JTAG AC Timing Waveform**

## Recommended Operating Supply Voltages

| Symbol       | Parameter  | Minimum | Typical | Maximum | Unit |
|--------------|--|---------|---------|---------|------|
| $V_{DDCORE}$ | Internal logic supply                                | 0.9     | 1.0     | 1.1     | V    |
| $V_{DDI/O}$  | I/O supply except for SerDes LVPECL/CML              | 3.135   | 3.3     | 3.465   | V    |
| $V_{DDPE}$   | PCI Express Digital Power                            | 0.9     | 1.0     | 1.1     | V    |
| $V_{DDAPE}$  | PCI Express Analog Power                             | 0.9     | 1.0     | 1.1     | V    |
| $V_{TTPE}$   | PCI Express Serial Data Transmit Termination Voltage | 1.425   | 1.5     | 1.575   | V    |
| $V_{SS}$     | Common ground  | 0       | 0       | 0       | V    |

Table 12 PES3T3 Operating Voltages

## Power-Up/Power-Down Sequence

This section describes the sequence in which various voltages must be applied to the part during power-up to ensure proper functionality. For the PES3T3, the power-up sequence must be as follows:

1.  $V_{DDI/O}$  — 3.3V
2.  $V_{DDCORE}$ ,  $V_{DDPE}$ ,  $V_{DDAPE}$  — 1.0V
3.  $V_{TTPE}$  — 1.5V

When powering up, each voltage level must ramp and stabilize prior to applying the next voltage in the sequence to ensure internal latch-up issues are avoided. There are no maximum time limitations in ramping to valid power levels.

The power-down sequence must be in the reverse order of the power-up sequence.

## Recommended Operating Temperature

| Grade      | Temperature          |
|------------|----------------------|
| Commercial | 0°C to +70°C Ambient |

Table 13 PES3T3 Operating Temperatures

## Power Consumption

| Parameter           |                           | Typ. | Max. | Unit | Conditions  |
|---------------------|---------------------------|------|------|------|---|
| $I_{DD}/I_O$        |                           | tbd  | tbd  | mA   | $T_{\text{ambient}} = 25^{\circ}\text{C}$<br>Max. values use the maximum voltages listed in Table 12. Typical values use the typical voltages listed in that table. |
| $I_{DD}\text{Core}$ | Normal mode               | tbd  | tbd  | mA   |   |
|                     | Standby mode <sup>1</sup> | tbd  | —    | mA   |   |
| $I_{DD}\text{PE}_i$ |                           | tbd  | tbd  | mA   |   |
| $I_{DD}\text{APE}$  |                           | tbd  | tbd  | mA   |   |
| $I_{TT}\text{PE}$   |                           | tbd  | tbd  | mA   |   |
| Power Dissipation   | Normal mode               | tbd  | tbd  | W    |   |
|                     | Standby mode <sup>1</sup> | tbd  | —    | W    |   |

Table 14 PES3T3 Power Consumption

<sup>1</sup>: All ports in D1 state.

## DC Electrical Characteristics

Values based on systems running at recommended supply voltages, as shown in Table 12.

Note: See Table 7, Pin Characteristics, for a complete I/O listing.

| I/O Type                         | Parameter                                     | Description   | Min <sup>1</sup> | Typ <sup>1</sup> | Max <sup>1</sup> | Unit | Conditions |
|----------------------------------|---|---|------------------|------------------|------------------|------|------------|
| Serial Link                      | <b>PCIe Transmit</b>                          |   |                  |                  |                  |      |            |
|                                  | V <sub>TX-DIFFp-p</sub>                       | Differential peak-to-peak output voltage                | 800              |                  | 1200             | mV   |            |
|                                  | V <sub>TX-DE-RATIO</sub>                      | De-emphasized differential output voltage               | -3               |                  | -4               | dB   |            |
|                                  | V <sub>TX-DC-CM</sub>                         | DC Common mode voltage                                  | -0.1             | 1                | 3.7              | V    |            |
|                                  | V <sub>TX-CM-ACP</sub>                        | RMS AC peak common mode output voltage                  |                  |                  | 20               | mV   |            |
|                                  | V <sub>TX-CM-DC-active-idle-delta</sub>       | Abs delta of DC common mode voltage between L0 and idle |                  |                  | 100              | mV   |            |
|                                  | V <sub>TX-CM-DC-line-delta</sub>              | Abs delta of DC common mode voltage between D+ and D-   |                  |                  | 25               | mV   |            |
|                                  | V <sub>TX-Idle-DiffP</sub>                    | Electrical idle diff peak output                        |                  |                  | 20               | mV   |            |
|                                  | V <sub>TX-RCV-Detect</sub>                    | Voltage change during receiver detection                |                  |                  | 600              | mV   |            |
|                                  | RL <sub>TX-DIFF</sub>                         | Transmitter Differential Return loss                    | 12               |                  |                  | dB   |            |
|                                  | RL <sub>TX-CM</sub>                           | Transmitter Common Mode Return loss                     | 6                |                  |                  | dB   |            |
|                                  | Z <sub>TX-DEFF-DC</sub>                       | DC Differential TX impedance                            | 80               | 100              | 120              | Ω    |            |
|                                  | Z <sub>OSE</sub>                              | Single ended TX Impedance                               | 40               | 50               | 60               | Ω    |            |
|                                  | Transmitter Eye Diagram                       | TX Eye Height (De-emphasized bits)                      | 505              | 650              |                  | mV   |            |
|                                  | Transmitter Eye Diagram                       | TX Eye Height (Transition bits)                         | 800              | 950              |                  | mV   |            |
|                                  | <b>PCIe Receive</b>                           |   |                  |                  |                  |      |            |
|                                  | V <sub>RX-DIFFp-p</sub>                       | Differential input voltage (peak-to-peak)               | 175              |                  | 1200             | mV   |            |
|                                  | V <sub>RX-CM-AC</sub>                         | Receiver common-mode voltage for AC coupling            |                  |                  | 150              | mV   |            |
|                                  | RL <sub>RX-DIFF</sub>                         | Receiver Differential Return Loss                       | 15               |                  |                  | dB   |            |
|                                  | RL <sub>RX-CM</sub>                           | Receiver Common Mode Return Loss                        | 6                |                  |                  | dB   |            |
| Z <sub>RX-DIFF-DC</sub>          | Differential input impedance (DC)             | 80  | 100              | 120              | Ω                |      |            |
| Z <sub>RX-COMM-DC</sub>          | Single-ended input impedance                  | 40  | 50               | 60               | Ω                |      |            |
| Z <sub>RX-COMM-HIGH-Z-DC</sub>   | Powered down input common mode impedance (DC) | 200k  | 350k             |                  | Ω                |      |            |
| V <sub>RX-IDLE-DET-DIFFp-p</sub> | Electrical idle detect threshold              | 65  |                  | 175              | mV               |      |            |
| <b>PCIe REFCLK</b>               |   |   |                  |                  |                  |      |            |
|                                  | C <sub>IN</sub>                               | Input Capacitance                                       | 1.5              | —                |                  | pF   |            |

Table 15 DC Electrical Characteristics (Part 1 of 2)

| I/O Type                    | Parameter                               | Description | Min <sup>1</sup> | Typ <sup>1</sup> | Max <sup>1</sup>          | Unit | Conditions                |
|-----------------------------|---|-------------|------------------|------------------|---------------------------|------|---------------------------|
| <b>Other I/Os</b>           |   |             |                  |                  |                           |      |                           |
| LOW Drive Output            | I <sub>OL</sub>                         |             | —                | 2.5              | —                         | mA   | V <sub>OL</sub> = 0.4v    |
|                             | I <sub>OH</sub>                         |             | —                | -5.5             | —                         | mA   | V <sub>OH</sub> = 1.5V    |
| High Drive Output           | I <sub>OL</sub>                         |             | —                | 12.0             | —                         | mA   | V <sub>OL</sub> = 0.4v    |
|                             | I <sub>OH</sub>                         |             | —                | -20.0            | —                         | mA   | V <sub>OH</sub> = 1.5V    |
| Schmitt Trigger Input (STI) | V <sub>IL</sub>                         |             | -0.3             | —                | 0.8                       | V    | —                         |
|                             | V <sub>IH</sub>                         |             | 2.0              | —                | V <sub>DD</sub> I/O + 0.5 | V    | —                         |
| Input                       | V <sub>IL</sub>                         |             | -0.3             | —                | 0.8                       | V    | —                         |
|                             | V <sub>IH</sub>                         |             | 2.0              | —                | V <sub>DD</sub> I/O + 0.5 | V    | —                         |
| Capacitance                 | C <sub>IN</sub>                         |             | —                | —                | 8.5                       | pF   | —                         |
| Leakage                     | Inputs                                  |             | —                | —                | ± 10                      | μA   | V <sub>DD</sub> I/O (max) |
|                             | I/O <sub>LEAK</sub> w/o Pull-ups/downs  |             | —                | —                | ± 10                      | μA   | V <sub>DD</sub> I/O (max) |
|                             | I/O <sub>LEAK</sub> WITH Pull-ups/downs |             | —                | —                | ± 80                      | μA   | V <sub>DD</sub> I/O (max) |

Table 15 DC Electrical Characteristics (Part 2 of 2)

<sup>1</sup>: Minimum, Typical, and Maximum values meet the requirements under PCI Specification 1.1.

## Package Pinout — 144-BGA Signal Pinout for PES3T3

The following table lists the pin numbers and signal names for the PES3T3 device.

| Pin | Function             | Alt | Pin | Function             | Alt | Pin | Function             | Alt | Pin | Function             | Alt |
|-----|----------------------|-----|-----|----------------------|-----|-----|----------------------|-----|-----|----------------------|-----|
| A1  | V <sub>SS</sub>      |     | C11 | V <sub>DD</sub> CORE |     | F9  | V <sub>DD</sub> CORE |     | J7  | V <sub>SS</sub>      |     |
| A2  | V <sub>DD</sub> IO   |     | C12 | V <sub>SS</sub>      |     | F10 | V <sub>DD</sub> IO   |     | J8  | V <sub>DD</sub> CORE |     |
| A3  | APWRDISN             |     | D1  | JTAG_TDO             |     | F11 | V <sub>DD</sub> IO   |     | J9  | V <sub>SS</sub>      |     |
| A4  | V <sub>TT</sub> PE   |     | D2  | MSMBCLK              |     | F12 | GPIO_01              |     | J10 | V <sub>SS</sub>      |     |
| A5  | V <sub>TT</sub> PE   |     | D3  | V <sub>DD</sub> CORE |     | G1  | V <sub>SS</sub>      |     | J11 | V <sub>DD</sub> IO   |     |
| A6  | PE0TP00              |     | D4  | V <sub>SS</sub>      |     | G2  | JTAG_TRST_N          |     | J12 | GPIO_09              | 1   |
| A7  | V <sub>DD</sub> PE   |     | D5  | V <sub>SS</sub>      |     | G3  | V <sub>SS</sub>      |     | K1  | V <sub>SS</sub>      |     |
| A8  | PE0RP00              |     | D6  | V <sub>SS</sub>      |     | G4  | V <sub>DD</sub> CORE |     | K2  | V <sub>DD</sub> CORE |     |
| A9  | V <sub>DD</sub> IO   |     | D7  | V <sub>DD</sub> CORE |     | G5  | V <sub>SS</sub>      |     | K3  | V <sub>DD</sub> IO   |     |
| A10 | SWMODE_0             |     | D8  | V <sub>SS</sub>      |     | G6  | V <sub>DD</sub> CORE |     | K4  | V <sub>DD</sub> CORE |     |
| A11 | SWMODE_1             |     | D9  | V <sub>SS</sub>      |     | G7  | V <sub>SS</sub>      |     | K5  | V <sub>DD</sub> PE   |     |
| A12 | V <sub>SS</sub>      |     | D10 | V <sub>SS</sub>      |     | G8  | V <sub>DD</sub> CORE |     | K6  | V <sub>SS</sub>      |     |
| B1  | V <sub>DD</sub> CORE |     | D11 | PERSTN               |     | G9  | V <sub>SS</sub>      |     | K7  | V <sub>DD</sub> PE   |     |
| B2  | WAKEN                |     | D12 | RSTHALT              |     | G10 | V <sub>DD</sub> CORE |     | K8  | V <sub>SS</sub>      |     |
| B3  | CCLKUS               |     | E1  | JTAG_TDI             |     | G11 | V <sub>SS</sub>      |     | K9  | V <sub>DD</sub> CORE |     |
| B4  | V <sub>DD</sub> PE   |     | E2  | MSMBDAT              |     | G12 | GPIO_02              | 1   | K10 | V <sub>DD</sub> IO   |     |
| B5  | V <sub>DD</sub> PE   |     | E3  | V <sub>DD</sub> IO   |     | H1  | PEREFCLKP            |     | K11 | V <sub>SS</sub>      |     |
| B6  | PE0TN00              |     | E4  | V <sub>DD</sub> CORE |     | H2  | V <sub>DD</sub> IO   |     | K12 | V <sub>SS</sub>      |     |
| B7  | V <sub>DD</sub> PE   |     | E5  | V <sub>SS</sub>      |     | H3  | V <sub>DD</sub> APE  |     | L1  | PE2RN00              |     |
| B8  | PE0RN00              |     | E6  | V <sub>DD</sub> CORE |     | H4  | V <sub>SS</sub>      |     | L2  | V <sub>SS</sub>      |     |
| B9  | CCLKDS               |     | E7  | V <sub>SS</sub>      |     | H5  | V <sub>SS</sub>      |     | L3  | PE2TP00              |     |
| B10 | SWMODE_2             |     | E8  | V <sub>SS</sub>      |     | H6  | V <sub>SS</sub>      |     | L4  | V <sub>SS</sub>      |     |
| B11 | V <sub>SS</sub>      |     | E9  | V <sub>SS</sub>      |     | H7  | V <sub>DD</sub> CORE |     | L5  | PE3TN00              |     |
| B12 | V <sub>SS</sub>      |     | E10 | V <sub>DD</sub> CORE |     | H8  | V <sub>SS</sub>      |     | L6  | V <sub>DD</sub> APE  |     |
| C1  | JTAG_TMS             |     | E11 | V <sub>SS</sub>      |     | H9  | V <sub>SS</sub>      |     | L7  | PE3RN00              |     |
| C2  | V <sub>SS</sub>      |     | E12 | GPIO_00              | 1   | H10 | V <sub>DD</sub> CORE |     | L8  | V <sub>TT</sub> PE   |     |
| C3  | V <sub>SS</sub>      |     | F1  | JTAG_TCK             |     | H11 | V <sub>SS</sub>      |     | L9  | NC                   |     |
| C4  | V <sub>DD</sub> CORE |     | F2  | V <sub>DD</sub> IO   |     | H12 | GPIO_07              | 1   | L10 | V <sub>SS</sub>      |     |
| C5  | V <sub>DD</sub> APE  |     | F3  | V <sub>DD</sub> CORE |     | J1  | PEREFCLKN            |     | L11 | NC                   |     |
| C6  | V <sub>DD</sub> APE  |     | F4  | V <sub>SS</sub>      |     | J2  | V <sub>SS</sub>      |     | L12 | V <sub>DD</sub> CORE |     |
| C7  | V <sub>SS</sub>      |     | F5  | V <sub>DD</sub> CORE |     | J3  | V <sub>SS</sub>      |     | M1  | PE2RP00              |     |
| C8  | V <sub>DD</sub> CORE |     | F6  | V <sub>SS</sub>      |     | J4  | V <sub>SS</sub>      |     | M2  | V <sub>SS</sub>      |     |
| C9  | V <sub>DD</sub> CORE |     | F7  | V <sub>DD</sub> CORE |     | J5  | V <sub>SS</sub>      |     | M3  | PE2TN00              |     |
| C10 | V <sub>SS</sub>      |     | F8  | V <sub>SS</sub>      |     | J6  | V <sub>DD</sub> CORE |     | M4  | V <sub>TT</sub> PE   |     |

Table 16 PES3T3 144-pin Signal Pin-Out (Part 1 of 2)

| Pin | Function        | Alt | Pin | Function            | Alt | Pin | Function        | Alt | Pin | Function        | Alt |
|-----|-----------------|-----|-----|---------------------|-----|-----|-----------------|-----|-----|-----------------|-----|
| M5  | PE3TP00         |     | M7  | PE3RP00             |     | M9  | NC              |     | M11 | NC              |     |
| M6  | V <sub>SS</sub> |     | M8  | V <sub>DD</sub> APE |     | M10 | V <sub>SS</sub> |     | M12 | V <sub>SS</sub> |     |

Table 16 PES3T3 144-pin Signal Pin-Out (Part 2 of 2)

Alternate Signal Functions

| Pin | GPIO    | Alternate  |
|-----|---------|------------|
| E12 | GPIO_00 | P2RSTN     |
| G12 | GPIO_02 | IOEXPINTN0 |
| H12 | GPIO_07 | GPEN       |
| J12 | GPIO_09 | P3RSTN     |

Table 17 PES3T3 Alternate Signal Functions

Power Pins

| V <sub>DD</sub> Core | V <sub>DD</sub> Core | V <sub>DD</sub> I/O | V <sub>DD</sub> PE | V <sub>DD</sub> APE | V <sub>TT</sub> PE |
|----------------------|----------------------|---------------------|--------------------|---------------------|--------------------|
| B1                   | F9                   | A2                  | A7                 | C5                  | A4                 |
| C4                   | G4                   | A9                  | B4                 | C6                  | A5                 |
| C8                   | G6                   | E3                  | B5                 | H3                  | L8                 |
| C9                   | G8                   | F2                  | B7                 | L6                  | M4                 |
| C11                  | G10                  | F10                 | K5                 | M8                  |                    |
| D3                   | H7                   | F11                 | K7                 |                     |                    |
| D7                   | H10                  | H2                  |                    |                     |                    |
| E4                   | J6                   | J11                 |                    |                     |                    |
| E6                   | J8                   | K3                  |                    |                     |                    |
| E10                  | K2                   | K10                 |                    |                     |                    |
| F3                   | K4                   |                     |                    |                     |                    |
| F5                   | K9                   |                     |                    |                     |                    |
| F7                   | L12                  |                     |                    |                     |                    |

Table 18 PES3T3 Power Pins



## Ground Pins

| V <sub>SS</sub> | V <sub>SS</sub> | V <sub>SS</sub> | V <sub>SS</sub> |
|-----------------|-----------------|-----------------|-----------------|
| A1              | D10             | G11             | K1              |
| A12             | E5              | H4              | K6              |
| B11             | E7              | H5              | K8              |
| B12             | E8              | H6              | K11             |
| C2              | E9              | H8              | K12             |
| C3              | E11             | H9              | L2              |
| C7              | F4              | H11             | L4              |
| C10             | F6              | J2              | L10             |
| C12             | F8              | J3              | M2              |
| D4              | G1              | J4              | M6              |
| D5              | G3              | J5              | M10             |
| D6              | G5              | J7              | M12             |
| D8              | G7              | J9              |                 |
| D9              | G9              | J10             |                 |

Table 19 PES3T3 Ground Pins

## Signals Listed Alphabetically

| Signal Name | I/O Type | Location | Signal Category              |
|-------------|----------|----------|------------------------------|
| APWRDISN    | I        | A3       | System                       |
| CCLKDS      | I        | B9       |                              |
| CCLKUS      | I        | B3       |                              |
| GPIO_00     | I/O      | E12      | General Purpose Input/Output |
| GPIO_01     | I/O      | F12      |                              |
| GPIO_02     | I/O      | G12      |                              |
| GPIO_07     | I/O      | H12      |                              |
| GPIO_09     | I/O      | J12      |                              |
| JTAG_TCK    | I        | F1       | JTAG                         |
| JTAG_TDI    | I        | E1       |                              |
| JTAG_TDO    | I        | D1       |                              |
| JTAG-TMS    | O        | C1       |                              |
| JTAG-TRST_N | I        | G2       |                              |
| MSMBCLK     | I/O      | D2       | SMBus                        |
| MSMBDAT     | I/O      | E2       |                              |

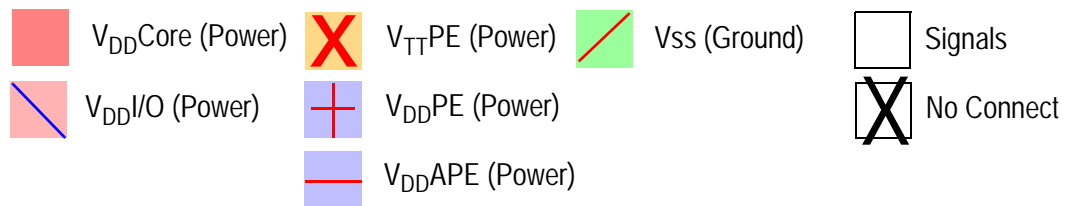
Table 20 89PES3T3 Alphabetical Signal List (Part 1 of 2)

| Signal Name  | I/O Type | Location                                   | Signal Category |        |
|--|----------|--|-----------------|--------|
| No Connection  |          | L9, L11, M9, M11                           |                 |        |
| PE0RN00  | I        | B8   | PCI Express     |        |
| PE0RP00  | I        | A8   |                 |        |
| PE0TN00  | O        | B6   |                 |        |
| PE0TP00  | O        | A6   |                 |        |
| PE2RN00  | I        | L1   |                 |        |
| PE2RP00  | I        | M1   |                 |        |
| PE2TN00  | O        | M3   |                 |        |
| PE2TP00  | O        | L3   |                 |        |
| PE3RN00  | I        | L7   |                 |        |
| PE3RP00  | I        | M7   |                 |        |
| PE3TN00  | O        | L5   |                 |        |
| PE3TP00  | O        | M5   |                 |        |
| PEREFCLKN  | I        | J1   |                 |        |
| PEREFCLKP  | I        | H1   |                 |        |
| PERSTN   | I        | D11  |                 | System |
| RSTHALT  | I        | D12  |                 |        |
| SWMODE_0   | I        | A10  |                 |        |
| SWMODE_1   | I        | A11  |                 |        |
| SWMODE_2   | I        | B10  |                 |        |
| WAKEN  | I/O      | B2   |                 |        |
| V <sub>DD</sub> CORE,<br>V <sub>DD</sub> APE, V <sub>DD</sub> I/O,<br>V <sub>DD</sub> PE, V <sub>TT</sub> PE |          | See Table 18 for a listing of power pins.  |                 |        |
| V <sub>SS</sub>  |          | See Table 19 for a listing of ground pins. |                 |        |

Table 20 89PES3T3 Alphabetical Signal List (Part 2 of 2)

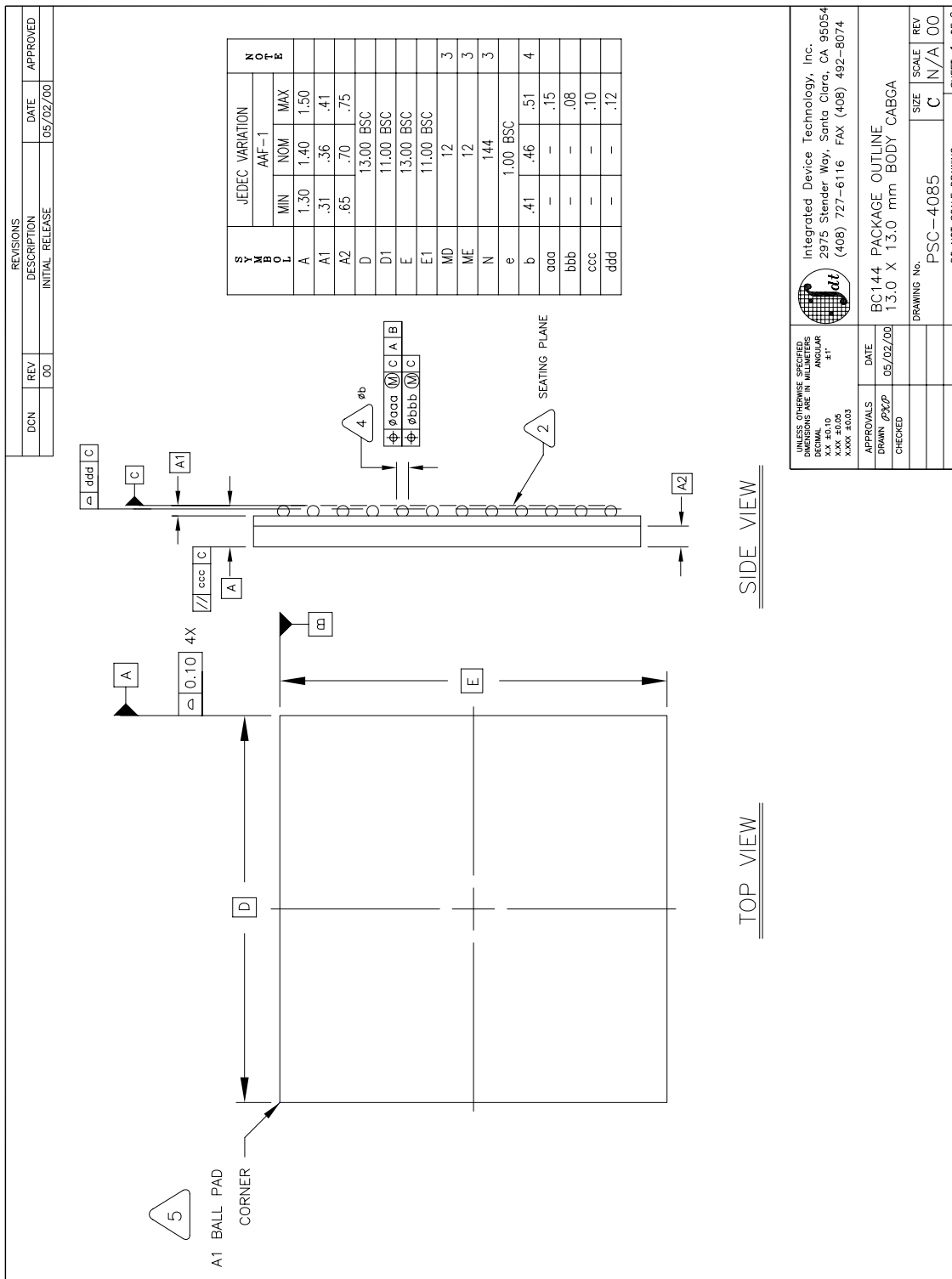
### PES3T3 Pinout — Top View

|   | 1 | 2 | 3 | 4 | 5 | 6 | 7 | 8 | 9 | 10 | 11 | 12 |   |
|---|---|---|---|---|---|---|---|---|---|----|----|----|---|
| A |   |   |   |   |   |   |   |   |   |    |    |    | A |
| B |   |   |   |   |   |   |   |   |   |    |    |    | B |
| C |   |   |   |   |   |   |   |   |   |    |    |    | C |
| D |   |   |   |   |   |   |   |   |   |    |    |    | D |
| E |   |   |   |   |   |   |   |   |   |    |    |    | E |
| F |   |   |   |   |   |   |   |   |   |    |    |    | F |
| G |   |   |   |   |   |   |   |   |   |    |    |    | G |
| H |   |   |   |   |   |   |   |   |   |    |    |    | H |
| J |   |   |   |   |   |   |   |   |   |    |    |    | J |
| K |   |   |   |   |   |   |   |   |   |    |    |    | K |
| L |   |   |   |   |   |   |   |   |   |    |    |    | L |
| M |   |   |   |   |   |   |   |   |   |    |    |    | M |
|   | 1 | 2 | 3 | 4 | 5 | 6 | 7 | 8 | 9 | 10 | 11 | 12 |   |



Advance Information

# PES3T3 Package Drawing — 144-Pin BC144/BCG144



UNLESS OTHERWISE SPECIFIED  
DIMENSIONS ARE IN MILLIMETERS  
DECIMAL TO ANGULAR  
X.XX ±0.05  
X.XXX ±0.03

APPROVALS  
DRAWN: PZP  
CHECKED:

DATE  
05/02/00

Integrated Device Technology, Inc.  
2975 Stender Way, Santa Clara, CA 95054  
(408) 727-6116 FAX (408) 492-8074

BC144 PACKAGE OUTLINE  
13.0 X 13.0 mm BODY CABGA

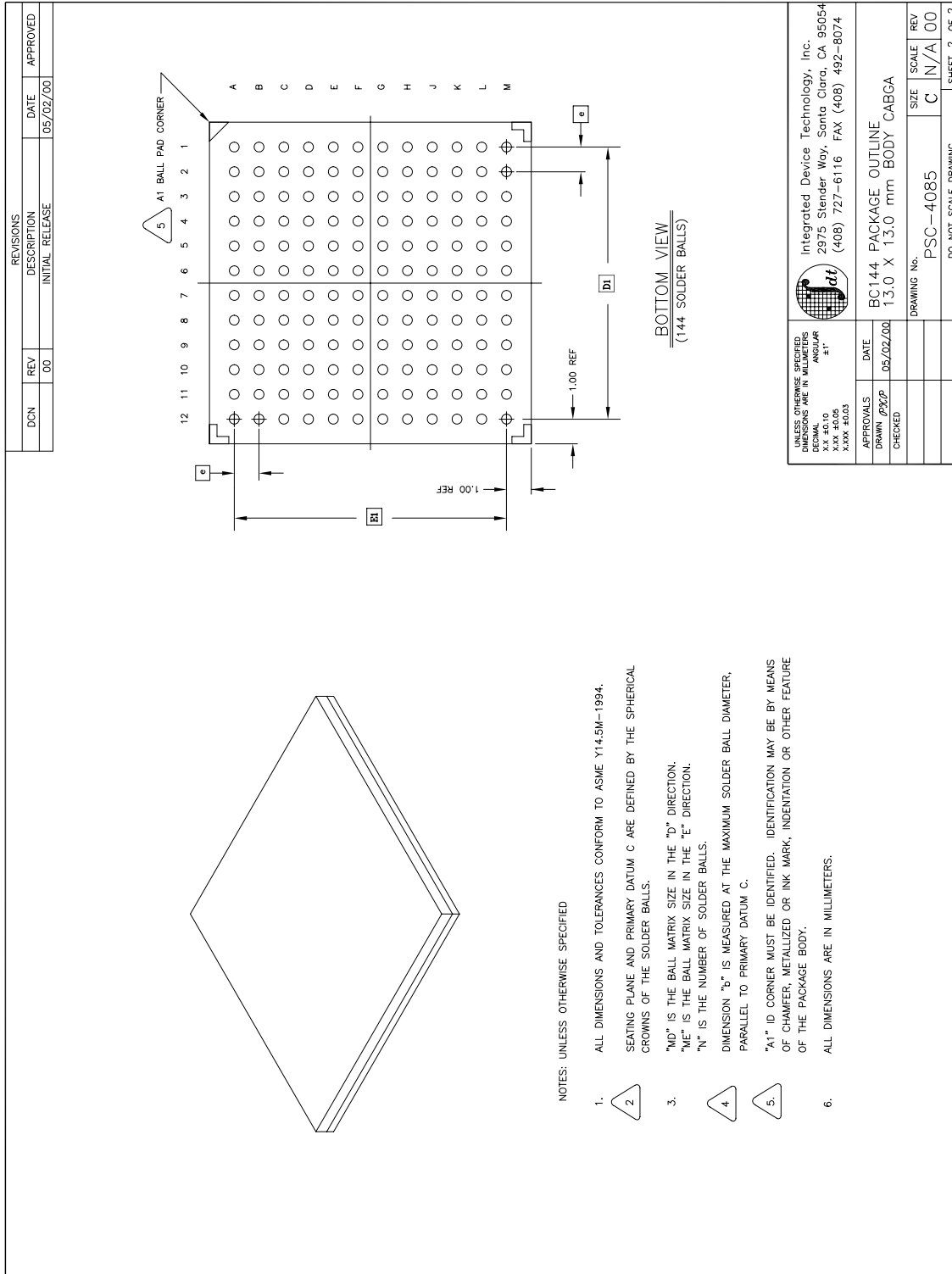
DRAWING No. PSC-4085  
DO NOT SCALE DRAWING

SIZE SCALE REV  
C N/A 00

SHEET 1 OF 2

Advance Information

PES3T3 Package Drawing — Page Two

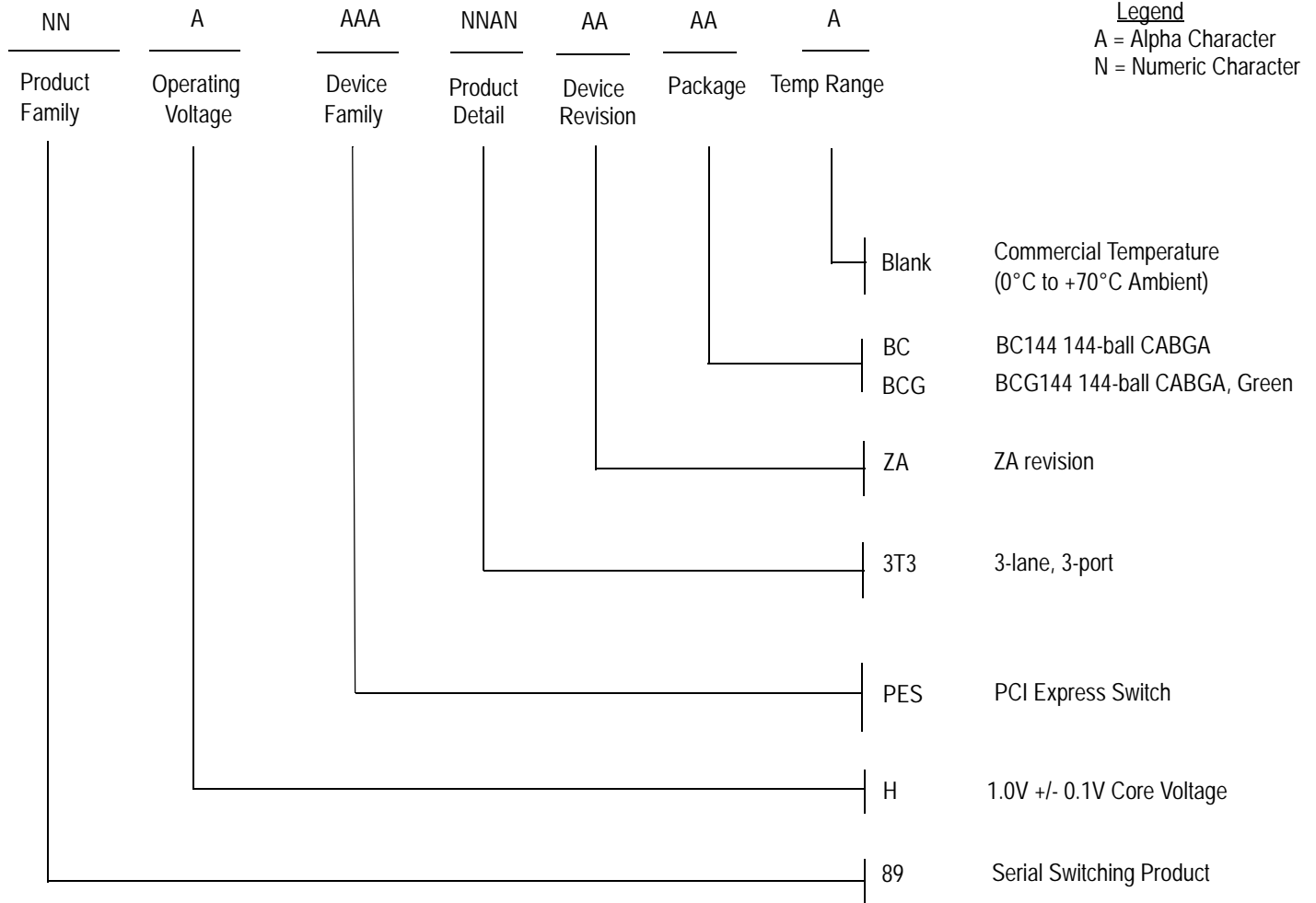


## Revision History

August 16, 2007: Initial publication of advanced data sheet.

September 7, 2007: Added Power-Up/Power Down Sequence.

## Ordering Information



**Legend**  
 A = Alpha Character  
 N = Numeric Character

Advance Information

### Valid Combinations

- 89HPES3T3ZABC 144-pin BC144 package, Commercial Temperature
- 89HPES3T3ZABCG 144-pin Green BC144 package, Commercial Temperature



**CORPORATE HEADQUARTERS**  
 6024 Silver Creek Valley Road  
 San Jose, CA 95138

**for SALES:**  
 800-345-7015 or 408-284-8200  
 fax: 408-284-2775  
[www.idt.com](http://www.idt.com)

**for Tech Support:**  
 email: [ssdhelp@idt.com](mailto:ssdhelp@idt.com)  
 phone: 408-284-8208