

## Radiation Hardened 4-Bit Synchronous Counter

January 1996

### Features

- Devices QML Qualified in Accordance with MIL-PRF-38535
- Detailed Electrical and Screening Requirements are Contained in SMD# 5962-96706 and Intersil' QM Plan
- 1.25 Micron Radiation Hardened SOS CMOS
- Total Dose ..... >300K RAD (Si)
- Single Event Upset (SEU) Immunity: <1 x 10<sup>-10</sup> Errors/Bit/Day (Typ)
- SEU LET Threshold ..... >100 MEV-cm<sup>2</sup>/mg
- Dose Rate Upset ..... >10<sup>11</sup> RAD (Si)/s, 20ns Pulse
- Dose Rate Survivability ..... >10<sup>12</sup> RAD (Si)/s, 20ns Pulse
- Latch-Up Free Under Any Conditions
- Military Temperature Range ..... -55°C to +125°C
- Significant Power Reduction Compared to ALSTTL Logic
- DC Operating Voltage Range ..... 4.5V to 5.5V
- Input Logic Levels
  - VIL = 30% of VCC Max
  - VIH = 70% of VCC Min
- Input Current ≤ 1μA at VOL, VOH
- Fast Propagation Delay ..... 21ns (Max), 14ns (Typ)

### Description

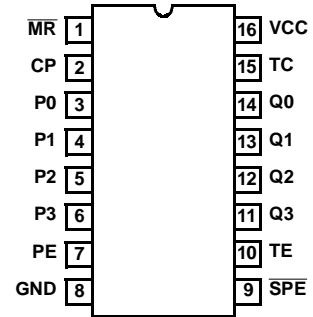
The Intersil ACS161MS is a Radiation Hardened 4-Bit Binary Synchronous Counter. The  $\overline{MR}$  is an active low master reset.  $\overline{SPE}$  is an active low Synchronous Parallel Enable which disables counting and allows data at the preset inputs (P0 - P3) to load the counter. CP is the positive edge clock. TC is the terminal count or carry output. Both TE and PE must be high for counting to occur, but are irrelevant to loading. TE low will keep TC low.

The ACS161MS utilizes advanced CMOS/SOS technology to achieve high-speed operation. This device is a member of a radiation hardened, high-speed, CMOS/SOS Logic family.

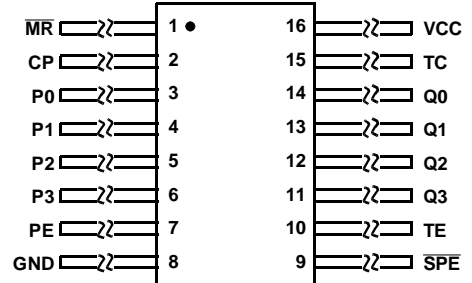
The ACS161MS is supplied in a 16 lead Ceramic Flatpack (K suffix) or a Ceramic Dual-In-Line Package (D suffix).

### Pinouts

16 PIN CERAMIC DUAL-IN-LINE  
MIL-STD-1835, DESIGNATOR CDIP2-T16,  
LEAD FINISH C  
TOP VIEW



16 PIN CERAMIC FLATPACK  
MIL-STD-1835, DESIGNATOR CDFP4-F16,  
LEAD FINISH C  
TOP VIEW

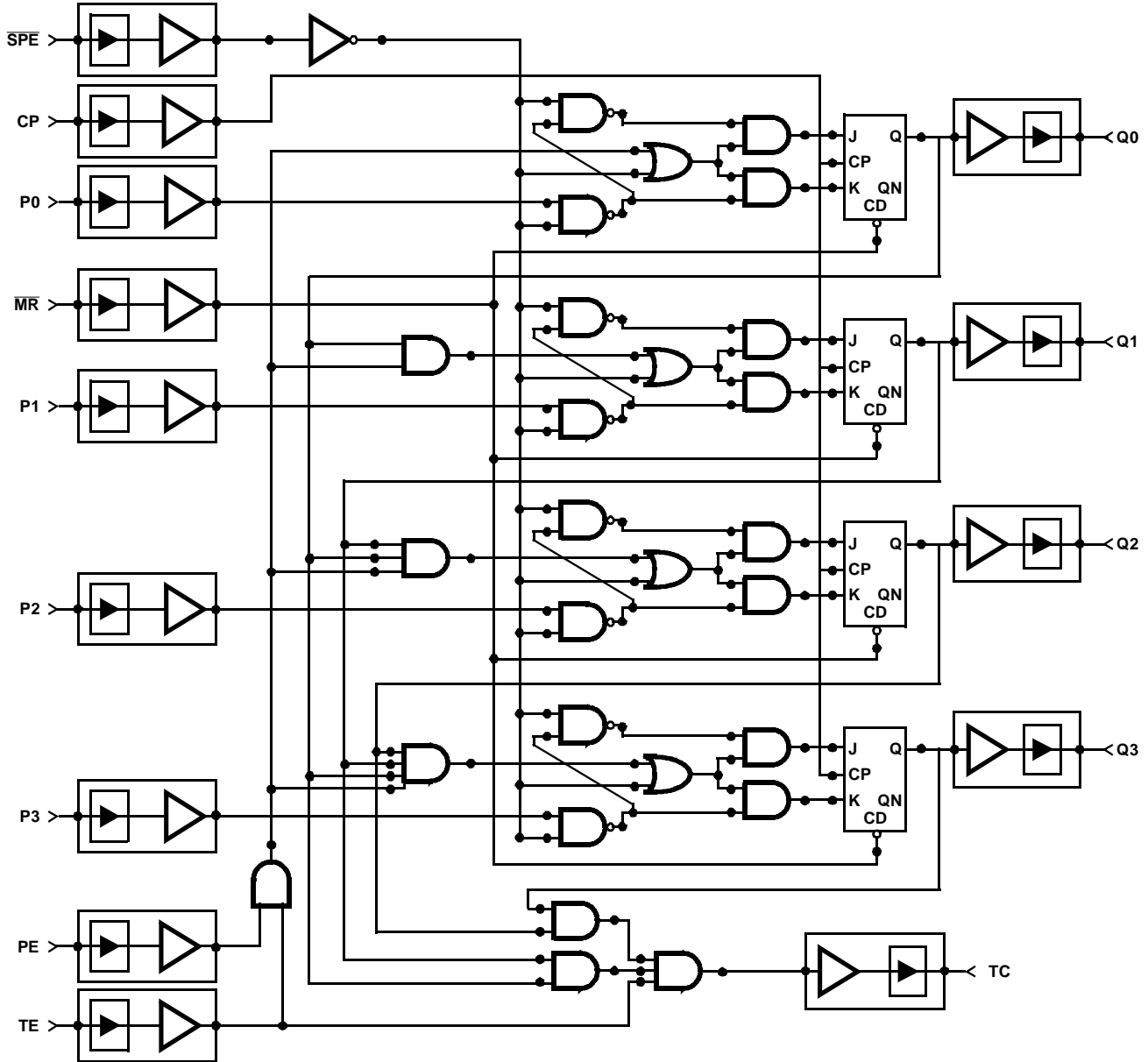


### Ordering Information

PART NUMBER	TEMPERATURE RANGE	SCREENING LEVEL	PACKAGE
5962F9670601VEC	-55°C to +125°C	MIL-PRF-38535 Class V	16 Lead SBDIP
5962F9670601VXC	-55°C to +125°C	MIL-PRF-38535 Class V	16 Lead Ceramic Flatpack
ACS161D/Sample	25°C	Sample	16 Lead SBDIP
ACS161K/Sample	25°C	Sample	16 Lead Ceramic Flatpack
ACS161HMSR	25°C	Die	Die

# ACS161MS

## Functional Diagram



**TRUTH TABLE**

OPERATING MODE	INPUTS						OUTPUTS	
	MR	CP	PE	TE	SPE	P <sub>N</sub>	Q <sub>N</sub>	TC
Reset (Clear)	L	X	X	X	X	X	L	L
Parallel Load	H		X	X	l	l	L	L
	H		X	X	l	h	H	(Note 1)
Count	H		h	h	h (Note 3)	X	count	(Note 1)
Inhibit	H	X	l (Note 2)	X	h (Note 3)	X	q <sub>N</sub>	(Note 1)
	H	X	X	l (Note 2)	h (Note 3)	X	q <sub>N</sub>	L

H = High Steady State, L = Low Steady State, h = High voltage level one setup time prior to the Low-to-High clock transition, l = Low voltage level one setup time prior to the Low-to-High clock transition, X = Don't Care, q = Lower case letters indicate the state of the referenced output prior to the Low-to-High clock transition, = Low-to-High Transition.

**NOTES:**

1. The TC output is High when TE is High and the counter is at Terminal Count (HHHH).
2. The High-to-Low transition of PE or TE should only occur while ZCP is High for conventional operation.
3. The Low-to-High transition of SPE should only occur while CP is High for conventional operation.
4. The TC output is High when TE is High and the counter is at Terminal Count (HHHH).

**Die Characteristics**

**DIE DIMENSIONS:**

88 mils x 88 mils  
2240mm x 2240mm

**METALLIZATION:**

Type: AlSi  
Metal 1 Thickness:  $7.125\text{k}\text{\AA} \pm 1.125\text{k}\text{\AA}$   
Metal 2 Thickness:  $9\text{k}\text{\AA} \pm 1\text{k}\text{\AA}$

**GLASSIVATION:**

Type: SiO<sub>2</sub>  
Thickness:  $8\text{k}\text{\AA} \pm 1\text{k}\text{\AA}$

**WORST CASE CURRENT DENSITY:**

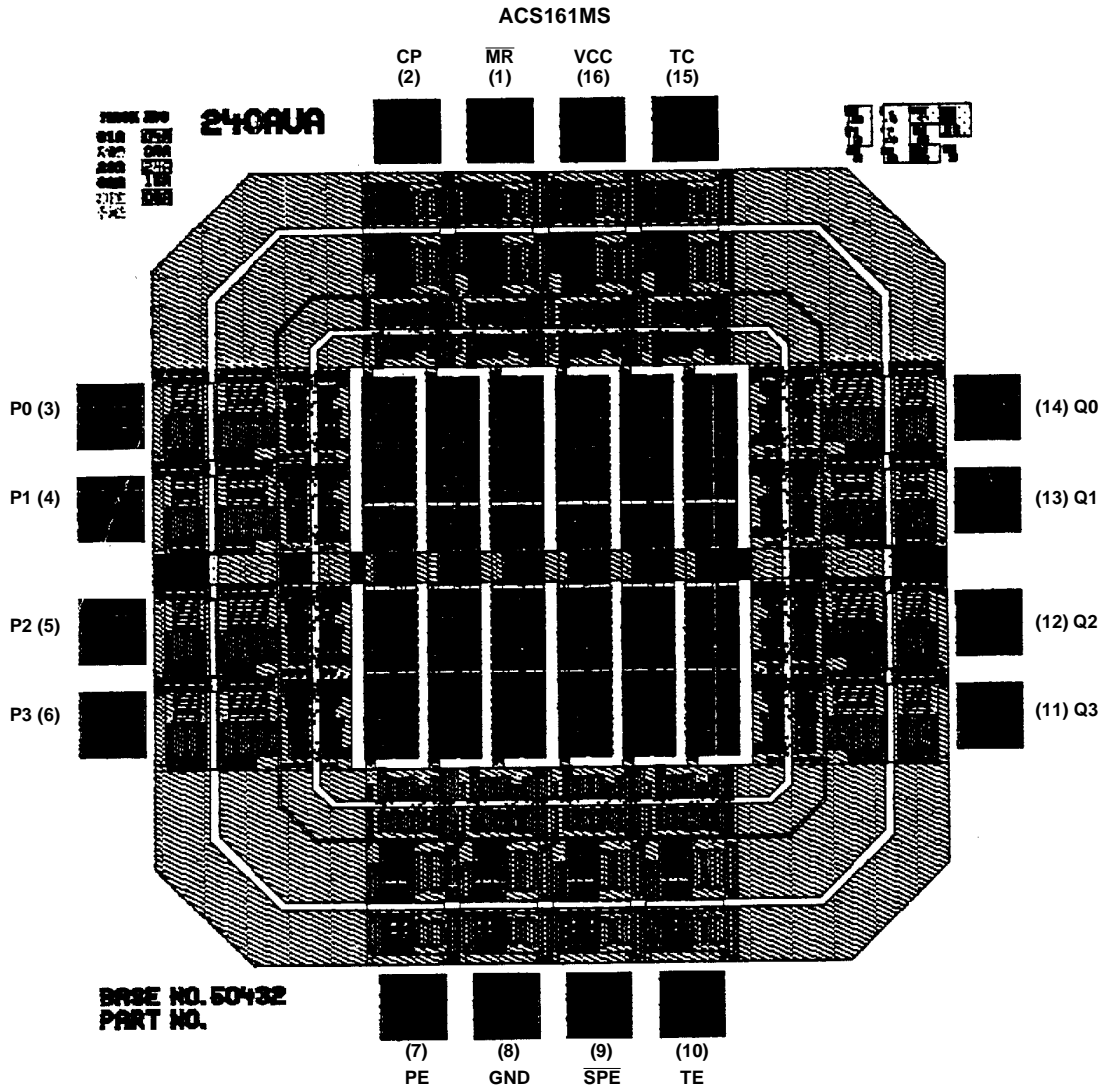
$< 2.0 \times 10^5\text{A/cm}^2$

**BOND PAD SIZE:**

110mm x 110mm  
4.3 mils x 4.3 mils

# ACS161MS

## Metallization Mask Layout



All Intersil U.S. products are manufactured, assembled and tested utilizing ISO9000 quality systems. Intersil Corporation's quality certifications can be viewed at [www.intersil.com/design/quality](http://www.intersil.com/design/quality)

*Intersil products are sold by description only. Intersil Corporation reserves the right to make changes in circuit design, software and/or specifications at any time without notice. Accordingly, the reader is cautioned to verify that data sheets are current before placing orders. Information furnished by Intersil is believed to be accurate and reliable. However, no responsibility is assumed by Intersil or its subsidiaries for its use; nor for any infringements of patents or other rights of third parties which may result from its use. No license is granted by implication or otherwise under any patent or patent rights of Intersil or its subsidiaries.*

For information regarding Intersil Corporation and its products, see [www.intersil.com](http://www.intersil.com)

### Sales Office Headquarters

**NORTH AMERICA**  
Intersil Corporation  
7585 Irvine Center Drive  
Suite 100  
Irvine, CA 92618  
TEL: (949) 341-7000  
FAX: (949) 341-7123

Intersil Corporation  
2401 Palm Bay Rd.  
Palm Bay, FL 32905  
TEL: (321) 724-7000  
FAX: (321) 724-7946

**EUROPE**  
Intersil Europe Sarl  
Ave. William Graisse, 3  
1006 Lausanne  
Switzerland  
TEL: +41 21 6140560  
FAX: +41 21 6140579

**ASIA**  
Intersil Corporation  
Unit 1804 18/F Guangdong Water Building  
83 Austin Road  
TST, Kowloon Hong Kong  
TEL: +852 2723 6339  
FAX: +852 2730 1433

Spec Number **518818**