

## CMOS High Performance Programmable DMA Controller

March 1997

### Features

- Fully Compatible with Intersil 82C37A
  - 82C237 May be Used in 8MHz and 12.5MHz 82C37A Sockets
- Optimized for 10MHz and 12.5MHz 80C286 Systems
- Special Mode Permits 16-Bit, Zero Wait State DMA Transfers
- High Speed Data Transfers:
  - Up to 6.25MBytes/sec with 12.5MHz Clock in Normal Mode
  - Up to 12.5MBytes/sec with 12.5MHz Clock in 16-Bit Mode
- Compatible with the NMOS 8237A
- Four Independent Maskable Channels with Autoinitialization Capability
- Cascadable to any Number of Channels
- Memory-to-Memory Transfers
- Static CMOS Design Permits Low Power Operation
  - ICCSB = 10 $\mu$ A Maximum
  - ICCOP = 2mA/MHz Maximum
- Fully TTL/CMOS Compatible
- Internal Registers may be Read from Software

### Description

The 82C237 is a modified version of the 82C37A. The 82C237 is fully software and pin for pin compatible with the 82C37A but provides an additional mode for 16-bit DMA transfers, as well as enhanced speed. Each channel may be individually programmed for 8-bit or 16-bit data transfers.

The 82C237 controller can improve system performance by allowing external devices to transfer data directly to or from system memory. Memory-to-memory transfer capability is also provided, along with a memory block initialization feature. DMA requests may be generated by either hardware or software, and each channel is independently programmable with a variety of features for flexible operation.

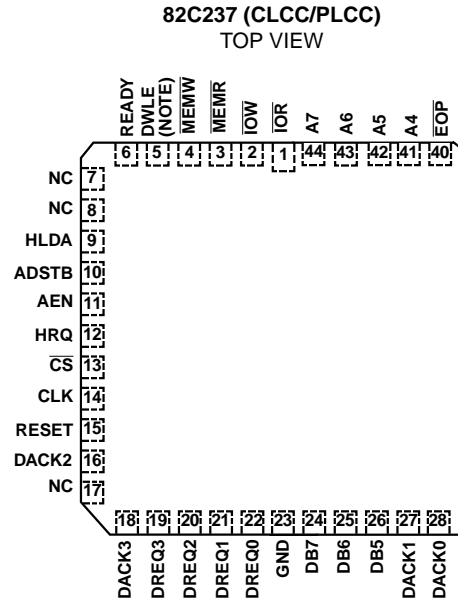
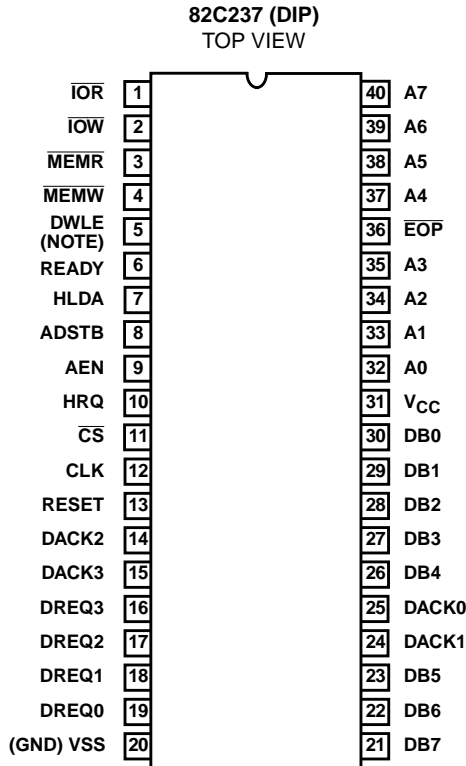
The 82C237 is designed to be used with an external address latch, such as the 82C82, to demultiplex the most significant 8 bits of address. An additional latch is required to temporarily store the most significant 8 bits of data if 16-bit memory-to-memory transfers are desired. The 82C237 can be used with industry standard microprocessors such as 80C286, 80286, 80C86, 80C88, 8086, 8088, 8085, Z80, NSC800, 80186 and others. Multimode programmability allows the user to select from three basic types of DMA services, and reconfiguration under program control is possible even with the clock to the controller stopped. Each channel has a full 64K address and word count range, and may be programmed to autoinitialize these registers following DMA termination (end of process).

### Ordering Information

PACKAGE	TEMPERATURE RANGE	8MHz	12.5MHz	PKG. NO.
PDIP	0°C to +70°C	CP82C237	CP82C237-12	E40.6
	-40°C to +85°C	IP82C237	IP82C237-12	E40.6
PLCC	0°C to +70°C	CS82C237	CS82C237-12	N44.65
	-40°C to +85°C	IS82C237	IS82C237-12	N44.65
SBDIP	0°C to +70°C	CD82C237	CD82C237-12	F40.6
	-40°C to +85°C	ID82C237	ID82C237-12	F40.6
	-55°C to +125°C	MD82C237/B	MD82C237-12/B	F40.6
SMD#		5962-9054304MQA	5962-9054305MQA	F40.6
CLCC	-55°C to +125°C	MR82C237/B	MR82C237-12/B	J44.A
		SMD#	5962-9054304MXA	5962-9054305MXA

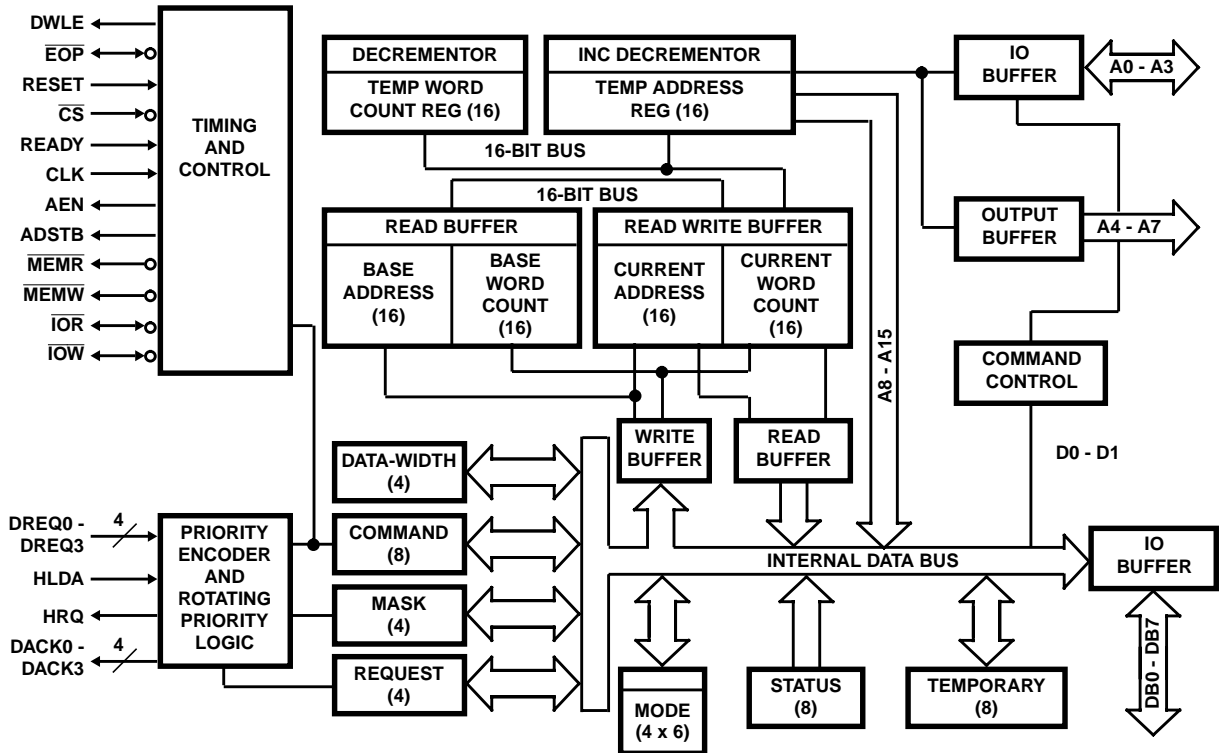
# 82C237

## Pinouts



NOTE: See Pin Description.

## Block Diagram



## 82C237

### Pin Description

SYMBOL	PIN NUMBER	TYPE	DESCRIPTION
V <sub>CC</sub>	31		V <sub>CC</sub> : is the +5V power supply pin. A 0.1μF capacitor between pins 31 and 20 is recommended for decoupling.
GND	20		Ground
CLK	12	I	CLOCK INPUT: The Clock Input is used to generate the timing signals which control 82C237 operations. This input may be driven from DC to 12.5MHz for the 82C237-12 or from DC to 8MHz for the 82C237. The Clock may be stopped in either state for standby operation.
$\overline{CS}$	11	I	CHIP SELECT: Chip Select is an active low input used to enable the controller onto the data bus for CPU communications.
RESET	13	I	RESET: This is an active high input which clears the Command, Status, Request, and Temporary registers, the First/Last Flip-Flop, and the mode register counter. The Mask register is set to ignore requests. The Data-Width register is set to perform 8-bit transfers on all channels (82C237 only). Following a Reset, the controller is in an idle cycle.
READY	6	I	READY: This signal can be used to extend the memory read and write pulses from the 82C237 to accommodate slow memories or I/O devices. READY must not make transitions during its specified set-up and hold times. See Figure 14 for timing. READY is ignored in verify transfer mode.
HLDA	7	I	HOLD ACKNOWLEDGE: The active high Hold Acknowledge from the CPU indicates that it has relinquished control of the system busses. HLDA is a synchronous input and must not transition during its specified set-up time. There is an implied hold time (HLDA inactive) of TCH from the rising edge of clock, during which time HLDA must not transition.
DREQ0-DREQ3	16-19	I	DMA REQUEST: The DMA Request (DREQ) lines are individual asynchronous channel request inputs used by peripheral circuits to obtain DMA service. In Fixed Priority, DREQ0 has the highest priority and DREQ3 has the lowest priority. A request is generated by activating the DREQ line of a channel. DACK will acknowledge the recognition of a DREQ signal. Polarity of DREQ is programmable. RESET initializes these lines to active high. DREQ must be maintained until the corresponding DACK goes active. DREQ will not be recognized while the clock is stopped. Unused DREQ inputs should be pulled High or Low (inactive) and the corresponding mask bit set. In 16-bit Transfer mode (82C237 only), each DREQ channel may be programmed to perform either 8-bit or 16-bit DMA transfers.
DB0-DB7	21-23 26-30	I/O	DATA BUS: The Data Bus lines are bidirectional three-state signals connected to the system data bus. The outputs are enabled in the Program condition during the I/O Read to output the contents of a register to the CPU. The outputs are disabled and the inputs are read during an I/O Write cycle when the CPU is programming the 82C237 control registers. During DMA cycles, the most significant 8-bits of the address are output onto the data bus to be strobed into an external latch by ADSTB. In memory-to-memory operations, data from the memory enters the 82C237 on the data bus during the read-from-memory transfer, then during the write-to-memory transfer, the data bus outputs write the data into the new memory location.
$\overline{IOR}$	1	I/O	I/O READ: I/O Read is a bidirectional active low three-state line. In the Idle cycle, it is an input control signal used by the CPU to read the control registers. In the Active cycle, it is an output control signal used by the 82C237 to access data from the peripheral during a DMA Write transfer.
$\overline{IOW}$	2	I/O	I/O WRITE: I/O Write is a bidirectional active low three-state line. In the Idle cycle, it is an input control signal used by the CPU to load information into the 82C237. In the Active cycle, it is an output control signal used by the 82C237 to load data to the peripheral during a DMA Read transfer.

**Pin Description** (Continued)

SYMBOL	PIN NUMBER	TYPE	DESCRIPTION
$\overline{EOP}$	36	I/O	<p>END OF PROCESS: End of Process (<math>\overline{EOP}</math>) is an active low bidirectional signal. Information concerning the completion of DMA services is available at the bidirectional <math>\overline{EOP}</math> pin.</p> <p>The 82C237 allows an external signal to terminate an active DMA service by pulling the <math>\overline{EOP}</math> pin low. A pulse is generated by the 82C237 when terminal count (TC) for any channel is reached, except for channel 0 in memory-to-memory mode. During memory-to-memory transfers, <math>\overline{EOP}</math> will be output when the TC for channel 1 occurs.</p> <p>The <math>\overline{EOP}</math> pin is driven by an open drain transistor on-chip, and requires an external pull-up resistor to <math>V_{CC}</math>.</p> <p>When an <math>\overline{EOP}</math> pulse occurs, whether internally or externally generated, the 82C237 will terminate the service, and if autoinitialize is enabled, the base registers will be written to the current registers of that channel. The mask bit and TC bit in the status word will be set for the currently active channel by <math>\overline{EOP}</math> unless the channel is programmed for autoinitialize. In that case, the mask bit remains clear.</p>
A0-A3	32-35	I/O	<p>ADDRESS: The four least significant address lines are bidirectional three-state signals. In the Idle cycle, they are inputs and are used by the 82C237 to address the control register to be loaded or read. In the Active cycle, they are outputs and provide the lower 4-bits of the output address. When in 16-bit mode (82C237 only), and the active channel is a 16-bit channel (as defined by the Data-Width register), then A0 will remain low during the entire transfer (i.e. an even word address will always be generated).</p>
A4-A7	37-40	O	<p>ADDRESS: The four most significant address lines are three-state outputs and provide 4-bits of address. These lines are enabled only during the DMA service.</p>
HRQ	10	O	<p>HOLD REQUEST: The Hold Request (HRQ) output is used to request control of the system bus. When a DREQ occurs and the corresponding mask bit is clear, or a software DMA request is made, the 82C237 issues HRQ. The HLDA signal then informs the controller when access to the system busses is permitted. For stand-alone operation where the 82C237 always controls the busses, HRQ may be tied to HLDA. This will result in one S0 state before the transfer.</p>
DACK0-DACK3	14, 15 24, 25	O	<p>DMA ACKNOWLEDGE: DMA acknowledge is used to notify the individual peripherals when one has been granted a DMA cycle. The sense of these lines is programmable. RESET initializes them to active low.</p>
AEN	9	O	<p>ADDRESS ENABLE: Address Enable enables the 8-bit latch containing the upper 8 address bits onto the system address bus. AEN can also be used to disable other system bus drivers during DMA transfers. AEN is active HIGH.</p>
ADSTB	8	O	<p>ADDRESS STROBE: This is an active high signal used to control latching of the upper address byte. It will drive directly the strobe input of external transparent octal latches, such as the 82C82. During block operations, ADSTB will only be issued when the upper address byte must be updated, thus speeding operation through elimination of S1 states. ADSTB timing is referenced to the falling edge of the 82C237 clock.</p>
$\overline{MEMR}$	3	O	<p>MEMORY READ: The Memory Read signal is an active low three-state output used to access data from the selected memory location during a DMA Read or a memory-to-memory transfer.</p>
$\overline{MEMW}$	4	O	<p>MEMORY WRITE: The Memory Write is an active low three-state output used to write data to the selected memory location during a DMA Write or a memory-to-memory transfer.</p>
DWLE	5	O	<p>DATA-WIDTH, LATCH ENABLE: In normal 8-bit transfer mode (16-bit transfer mode not enabled), this output is always high impedance three-stated. In 16-bit transfer mode (82C237 only), this output serves a dual purpose. During S1 cycles, the DWLE output indicates the data width (0 = 16-bit, 1 = 8-bit) of the active channel. During memory-to-memory transfers, the DWLE output is used to enable an external latch which temporarily stores the 8 most significant bits of data during the read-from-memory transfer. DWLE enables this byte of data onto the data bus during the write-to-memory transfer of a memory-to-memory operation.</p>

## Functional Description

The 82C237 is an improved version of the Intersil 82C37A DMA controller and is fully software and pin for pin compatible with the 82C37A. All operational and pin descriptions of the 82C37A apply to the 82C237 with additional features noted in the section titled 82C237 Operation.

The 82C237 direct memory access controller is designed to improve the data transfer rate in systems which must transfer data from an I/O device to memory, or move a block of memory to an I/O device. It will also perform memory-to-memory block moves, or fill a block of memory with data from a single location. Operating modes are provided to handle single byte transfers as well as discontinuous data streams, which allows the 82C237 to control data movement with software transparency.

The DMA controller is a state-driven address and control signal generator, which permits data to be transferred directly from an I/O device to memory or vice versa without ever being stored in a temporary register. This can greatly increase the data transfer rate for sequential operations, compared with processor move or repeated string instructions. Memory-to-memory operations require temporary internal storage of the data byte between generation of the source and destination addresses, so memory-to-memory transfers take place at less than half the rate of I/O operations, but still much faster than with central processor techniques. The maximum data transfer rates obtainable with the 82C237 are shown in Figure 1.

The block diagram of the 82C237 is shown on page 2. The timing and control block, priority block, and internal registers are the main components. Figure 2 lists the name and size of the internal registers. The timing and control block derives internal timing from CLK input, and generates external control signals. The Priority Encoder block resolves priority contention between DMA channels requesting service simultaneously.

82C237 TRANSFER TYPE	8MHz		12.5MHz		UNIT
	8-BIT	16-BIT	8-BIT	16-BIT	
Compressed	4.00	8.00	6.25	12.5	MByte/sec
Normal I/O	2.67	5.34	4.17	8.34	MByte/sec
Memory-to-Memory	1.00	2.00	1.56	3.12	MByte/sec

FIGURE 1. DMA TRANSFER RATES

### DMA Operation

In a system, the 82C237 address and control outputs and data bus pins are basically connected in parallel with the system busses. An external latch is required for the upper address byte. While inactive, the controller's outputs are in a high impedance state. When activated by a DMA request and bus control is relinquished by the host, the 82C237 drives the busses and generates the control signals to perform the data transfer. The operation performed by activating one of the four DMA request inputs has previously

been programmed into the controller via the Command, Mode, Address, and Word Count registers.

For example, if a block of data is to be transferred from RAM to an I/O device, the starting address of the data is loaded into the 82C237 Current and Base Address registers for a particular channel, and the length of the block is loaded into the channel's Word Count register. The corresponding Mode register is programmed for a memory-to-I/O operation (read transfer), and various options are selected by the Command register and the other Mode register bits. The channel's mask bit is cleared to enable recognition of a DMA request (DREQ). The DREQ can either be a hardware signal or a software command.

Once initiated, the block DMA transfer will proceed as the controller outputs the data address, simultaneous  $\overline{\text{MEMR}}$  and  $\overline{\text{IOW}}$  pulses, and selects an I/O device via the DMA acknowledge (DACK) outputs. The data byte flows directly from the RAM to the I/O device. After each byte is transferred, the address is automatically incremented (or decremented) and the word count is decremented. The operation is then repeated for the next byte. The controller stops transferring data when the Word Count register underflows, or an external  $\overline{\text{EOP}}$  is applied.

NAME	SIZE	NUMBER
Base Address Registers	16-Bits	4
Base Word Count Registers	16-Bits	4
Current Address Registers	16-Bits	4
Current Word Count Registers	16-Bits	4
Temporary Address Register	16-Bits	1
Temporary Word Count Register	16-Bits	1
Status Register	8-Bits	1
Command Register	8-Bits	1
Temporary Register	8-Bits	1
Mode Registers	6-Bits	4
Mask Register	4-Bits	1
Request Register	4-Bits	1
Data-Width Register (See Note)	4-Bits	1

NOTE: 82C237 only

FIGURE 2. 82C237 INTERNAL REGISTERS

To further understand 82C237 operation, the states generated by each CLK cycle must be considered. The DMA controller operates in two major cycles, active and idle. After being programmed, the controller is normally idle until a DMA request occurs on an unmasked channel, or a software request is given. The 82C237 will then request control of the system busses and enter the active cycle. The active cycle is composed of several internal states, depending on what options have been selected and what type of operation has been requested.

The 82C237 can assume seven separate states, each composed of one full CLK period. State I (SI) is the idle state. It is entered when the 82C237 has no valid DMA requests pending, at the end of a transfer sequence, or when a RESET or Master Clear has occurred. While in SI, the DMA controller is inactive but may be in the Program Condition (being programmed by the processor).

State 0 (S0) is the first state of a DMA service. The 82C237 has requested a hold but the processor has not yet returned an acknowledge. The 82C237 may still be programmed until it has received HLDA from the CPU. An acknowledge from the CPU will signal the DMA transfer may begin. S1, S2, S3, and S4 are the working state of the DMA service. If more time is needed to complete a transfer than is available with normal timing, wait states (SW) can be inserted between S3 and S4 in normal transfers by the use of the READY line on the 82C237. For compressed transfers, wait states can be inserted between S2 and S4. See timing Figures 14 and 15.

Note that the data is transferred directly from the I/O device to memory (or vice versa) with  $\overline{\text{IOR}}$  and  $\overline{\text{MEMW}}$  (or  $\overline{\text{MEMR}}$  and  $\overline{\text{IOW}}$ ) being active at the same time. The data is not read into or driven out of the 82C237 in I/O-to-memory or memory-to-I/O DMA transfers.

Memory-to-memory transfers require a read-from and a write-to memory to complete each transfer. The States, which resemble the normal working states, use two-digit numbers for identification. Eight states are required for a single transfer. The first four states (S11, S12, S13, S14) are used for the read-from-memory half and the last four states (S21, S22, S23, S24) for the write-to-memory half of the transfer.

### Idle Cycle

When no channel is requesting service, the 82C237 will enter the idle cycle and perform "SI" States. In this cycle, the 82C237 will sample the DREQ lines on the falling edge of every CLK cycle to determine if any channel is requesting a DMA service.

Note that for standby operation where the clock has been stopped, DMA requests will be ignored. The device will respond to CS (chip select), in case of an attempt by the microprocessor to write or read the internal registers of the 82C237. When  $\overline{\text{CS}}$  is low and HLDA is low, the 82C237 enters the Program Condition. The CPU can now establish, change or inspect the internal definition of the part by reading from or writing to the internal registers.

The 82C237 may be programmed with the clock stopped, provided that HLDA is low and at least one rising CLK edge has occurred after HLDA was driven low, so the controller is in an SI state. Address lines A0-A3 are inputs to the device and select which registers will be read or written. The  $\overline{\text{IOR}}$  and  $\overline{\text{IOW}}$  lines are used to select and time the read or write operations. Due to the number and size of the internal registers, an internal flip-flop called the First/Last Flip-Flop is used to generate an additional bit of address. The bit is used to determine the upper or lower byte of the 16-bit Address and Work Count registers. The flip-flop is reset by Master Clear or RESET. Separate software commands can also set or reset this flip-flop.

Special software commands can be executed by the 82C237 in the Program Condition. These commands are decoded as sets of addresses with  $\overline{\text{CS}}$ ,  $\overline{\text{IOR}}$ , and  $\overline{\text{IOW}}$ . The commands do not make use of the data bus. Instructions include Set and Clear First/Last Flip-Flop, Master Clear, Clear Mode Register Counter, and Clear Mask Register.

### Active Cycle

When the 82C237 is in the Idle cycle, and a software request or an unmasked channel requests a DMA service, the device will issue HRQ to the microprocessor and enter the Active cycle. It is in this cycle that the DMA service will take place, in one of four modes:

**Single Transfer Mode** - In single transfer mode, the device is programmed to make one transfer only. The word count will be decremented and the address decremented or incremented following each transfer. When the word count "rolls over" from zero to FFFFH, a terminal count bit in the status register is set, an  $\overline{\text{EOP}}$  pulse is generated, and the channel will autoinitialize if this option has been selected. If not programmed to autoinitialize, the mask bit will be set, along with the TC bit and EOP pulse.

DREQ must be held active until DACK becomes active. If DREQ is held active throughout the single transfer, HRQ will go inactive and release the bus to the system. It will again go active and, upon receipt of a new HLDA, another single transfer will be performed, unless a higher priority channel takes over. In 8080A, 8085A, 80C88, or 80C86 systems, this will ensure one full machine cycle execution between DMA transfers. Details of timing between the 82C237 and other bus control protocols will depend upon the characteristics of the microprocessor involved.

**Block Transfer Mode** - In Block Transfer mode, the device is activated by DREQ or software request and continues making transfers during the service until a TC, caused by word count going to FFFFH, or an external End of Process ( $\overline{\text{EOP}}$ ) is encountered. DREQ need only be held active until DACK becomes active. Again, an Autoinitialization will occur at the end of the service if the channel has been programmed for that option.

**Demand Transfer Mode** - In Demand Transfer mode the device continues making transfers until a TC or external  $\overline{\text{EOP}}$  is encountered, or until DREQ goes inactive. Thus, transfer may continue until the I/O device has exhausted its data capacity. After the I/O device has had a chance to catch up, the DMA service is reestablished by means of a DREQ. During the time between services when the microprocessor is allowed to operate, the intermediate values of address and word count are stored in the 82C237 Current Address and Current Word Count registers. Higher priority channels may intervene in the demand process, once DREQ has gone inactive. Only an  $\overline{\text{EOP}}$  can cause an Autoinitialization at the end of service.  $\overline{\text{EOP}}$  is generated either by TC or by an external signal.

**Cascade Mode** - This mode is used to cascade more than one 82C237 for simple system expansion. The HRQ and HLDA signals from the additional 82C237 are connected to the DREQ and DACK signals respectively of a channel for

the initial 82C237. This allows the DMA requests of the additional device to propagate through the priority network circuitry of the preceding device. The priority chain is preserved and the new device must wait for its turn to acknowledge requests. Since the cascade channel of the initial 82C237 is used only for prioritizing the additional device, it does not output an address or control signals of its own. These could conflict with the outputs of the active channel in the added device. The initial 82C237 will respond to DREQ and generate DACK but all other outputs except HRQ will be disabled. An external  $\overline{EOP}$  will be ignored by the initial device, but will have the usual effect on the added device.

Figure 3 shows two additional devices cascaded with an initial device using two of the initial device's channels. This forms a two-level DMA system. More 82C237s could be added at the second level by using the remaining channels of the first level. Additional devices can also be added by cascading into the channels of the second level devices, forming a third level.

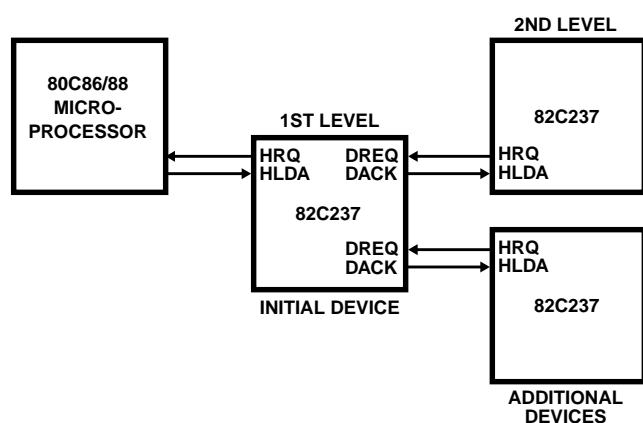


FIGURE 3. CASCADED 82C237s

When programming cascaded controllers, start with the first level device (closest to the microprocessor). After RESET, the DACK outputs are programmed to be active low and are held in the high state. If they are used to drive HLDA directly, the second level device(s) cannot be programmed until DACK polarity is selected as active high on the initial device. Also, the initial device's mask bits function normally on cascaded channels, so they may be used to inhibit second-level services.

### Transfer Types

Each of the three active transfer modes can perform three different types of transfers. These are Read, Write and Verify. Write transfers move data from an I/O device to the memory by activating  $\overline{MEMW}$  and  $\overline{IOR}$ . Read transfers move data from memory to an I/O device by activating  $\overline{MEMR}$  and  $\overline{IOW}$ .

Verify transfers are pseudo-transfers. The 82C237 operates as in Read or Write transfers generating addresses and responding to  $\overline{EOP}$ , etc., however the memory and I/O control lines all remain inactive. Verify mode is not permitted for memory-to-memory operation. READY is ignored during verify transfers.

**Autoinitialize** - By setting bit 4 in the Mode register, a channel may be set up as an Autoinitialize channel. During Autoinitialization, the original values of the Current Address and Current Word Count registers are automatically restored from the Base Address and Base Word Count registers of the channel following  $\overline{EOP}$ . The base registers are loaded simultaneously with the current registers by the microprocessor and remain unchanged throughout the DMA service. The mask bit is not set when the channel is in Autoinitialize mode. Following Autoinitialization, the channel is ready to perform another DMA service, without CPU intervention, as soon as a valid DREQ is detected, or software request made.

**Memory-to-Memory** - To perform block moves of data from one memory address space to another with minimum of program effort and time, the 82C237 includes a memory-to-memory transfer feature. Setting bit 0 in the Command register selects channels 0 and 1 to operate as memory-to-memory transfer channels.

The transfer is initiated by setting the software or hardware DREQ for channel 0. The 82C237 requests a DMA service in the normal manner. After HLDA is true, the device, using four-state transfers in Block Transfer mode, reads data from the memory. The channel 0 Current Address register is the source for the address used and is decremented or incremented in the normal manner. The data byte read from the memory is stored in the 82C237 internal Temporary register. Another four-state transfer moves the data to memory using the address in channel one's Current Address register and incrementing or decrementing it in the normal manner. The channel 1 Current Word Count is decremented.

When the word count of channel 1 decrements to FFFFH, a TC is generated causing an  $\overline{EOP}$  output, terminating the service, and setting the channel 1 TC bit in the Status register. The channel 1 mask bit will also be set, unless the channel 1 mode register is programmed for autoinitialization. Channel 0 word count decrementing to FFFFH will not set the channel 0 TC bit in the status register or generate an  $\overline{EOP}$ , or set the channel 0 mask bit in this mode. It will cause an autoinitialization of channel 0, if that option has been selected.

If full Autoinitialization for a memory-to-memory operation is desired, the channel 0 and channel 1 word counts must be set to equal values before the transfer begins. Otherwise, if channel 0 underflows before channel 1, it will autoinitialize and set the data source address back to the beginning of the block. If the channel 1 word count underflows before channel 0, the memory-to-memory DMA service will terminate, and channel 1 will autoinitialize but channel 0 will not.

In memory-to-memory mode, Channel 0 may be programmed to retain the same address for all transfers. This allows a single byte to be written to a block of memory. This channel 0 address hold feature is selected by setting bit 1 in the Command register.

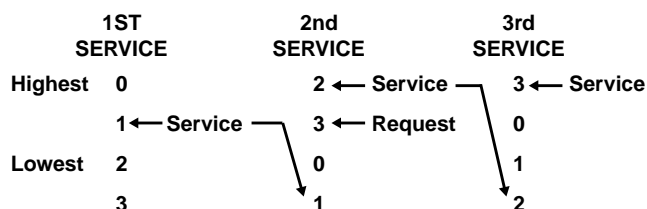
The 82C237 will respond to external  $\overline{EOP}$  signals during memory-to-memory transfers, but will only relinquish the system busses after the transfer is complete (i.e. after an S24 state). It should be noted that an external  $\overline{EOP}$  cannot cause the channel 0 Address and Word Count registers to

autoinitialize, even if the Mode register is programmed for autoinitialization. An external  $\overline{EOP}$  will autoinitialize the channel 1 registers, if so programmed. Data comparators in block search schemes may use the  $\overline{EOP}$  input to terminate the service when a match is found. The timing of memory-to-memory transfers is found in Figure 13. Memory-to-memory operations can be detected as an active AEN with no DACK outputs.

**Priority** - The 82C237 has two types of priority encoding available as software selectable options. The first is Fixed Priority which fixes the channels in priority order based upon the descending value of their numbers. The channel with the lowest priority is 3 followed by 2, 1 and the highest priority channel, 0. After the recognition of any one channel for service, the other channels are prevented from interfering with the service until it is completed.

The second scheme is Rotating Priority. The last channel to get service becomes the lowest priority channel with the others rotating accordingly. The next lower channel from the channel serviced has highest priority on the following request. Priority rotates every time control of the system busses is returned to the processor.

#### Rotating Priority



With Rotating Priority in a single chip DMA system, any device requesting service is guaranteed to be recognized after no more than three higher priority services have occurred. This prevents any one channel from monopolizing the system.

Regardless of which priority scheme is chosen, priority is evaluated every time a HLDA is returned to the 82C237.

**Compressed Timing** - In order to achieve even greater throughput where system characteristics permit, the 82C237 can compress the transfer time to two clock cycles. From Figure 12 it can be seen that state S3 is used to extend the access time of the read pulse. By removing state S3, the read pulse width is made equal to the write pulse width and a transfer consists only of state S2 to change the address and state S4 to perform the read/write. S1 states will still occur when A8-A15 need updating (see Address Generation). Timing for compressed transfers is found in Figure 15.  $\overline{EOP}$  will output in S2 if compressed timing is selected. Compressed timing is not allowed for memory-to-memory transfers.

**Address Generation** - In order to reduce pin count, the 82C237 multiplexes the eight higher order address bits on the data lines. State S1 is used to output the higher order address bits to an external latch from which they may be placed on the address bus. The falling edge of Address Strobe (ADSTB) is used to load these bits from the data

lines to the latch. Address Enable (AEN) is used to enable the bits onto the address bus through a three-state enable. The lower order address bits are output by the 82C237 directly. Lines A0-A7 should be connected to the address bus. Figure 12 shows the time relationships between CLK, AEN, ADSTB, DB0-DB7 and A0-A7.

During Block and Demand Transfer mode service, which include multiple transfers, the addresses generated will be sequential. For many transfers the data held in the external address latch will remain the same. This data need only change when a carry or borrow from A7 to A8 takes place in the normal sequence of addresses. To save time and speed transfers, the 82C237 executes S1 states only when updating of A8-A15 in the latch is necessary. This means for long services, S1 states and Address Strobes may occur only once every 256 transfers, a savings of 255 clock cycles for each 256 transfers.

### Programming

The 82C237 will accept programming from the host processor anytime that HLDA is inactive, and at least one rising CLK edge has occurred after HLDA went low. It is the responsibility of the host to assure that programming and HLDA are mutually exclusive.

Note that a problem can occur if a DMA request occurs on an unmasked channel while the 82C237 is being programmed. For instance, the CPU may be starting to reprogram the two byte Address register of channel 1 when channel 1 receives a DMA request. If the 82C237 is enabled (bit 2 in the Command register is 0), and channel 1 is unmasked, a DMA service will occur after only one byte of the Address register has been reprogrammed. This condition can be avoided by disabling the controller (setting bit 2 in the Command register) or masking the channel before programming any of its registers. Once the programming is complete, the controller can be enabled/unmasked.

After power-up it is suggested that all internal locations be loaded with some known value, even if some channels are unused. This will aid in debugging.

### Register Description

**Current Address Register** - Each channel has a 16-bit Current Address register. This register holds the value of the address used during DMA transfers. The address is automatically incremented or decremented by one after each transfer and the values of the address are stored in the Current Address register during the transfer. This register is written or read by the microprocessor in successive 8-bit bytes. See Figure 6 for programming information. It may also be reinitialized by an Autoinitialize back to its original value. Autoinitialize takes place only after an  $\overline{EOP}$ . In memory-to-memory mode, the channel 0 Current Address register can be prevented from incrementing or decrementing by setting the address hold bit in the Command register.

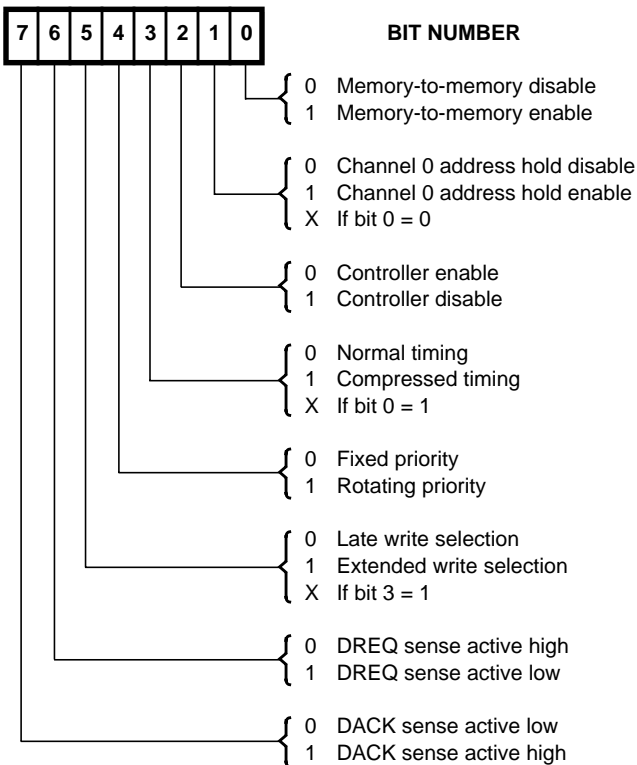


**Current Word Count Register** - Each channel has a 16-Bit Current Word Count register. This register determines the number of transfers to be performed. The actual number of transfers will be one more than the number programmed in the Current Word Count register (i.e., programming a count of 100 will result in 101 transfers). The word count is decremented after each transfer. When the value in the register goes from zero to FFFFH, a TC will be generated. This register is loaded or read in successive 8-bit bytes by the microprocessor in the Program Condition. See Figure 6 for programming information. Following the end of a DMA service it may also be reinitialized by an Autoinitialization back to its original value. Autoinitialization can occur only when an  $\overline{EOP}$  occurs. If it is not Autoinitialized, this register will have a count of FFFFH after TC.

**Base Address and Base Word Count Registers** - Each Channel has a pair of Base Address and Base Word Count registers. These 16-bit registers store the original value of their associated current registers. During Autoinitialize these values are used to restore the current registers to their original values. The base registers are written simultaneously with their corresponding current register in 8-bit bytes in the Program Condition by the microprocessor. See Figure 6 for programming information. These registers cannot be read by the microprocessor.

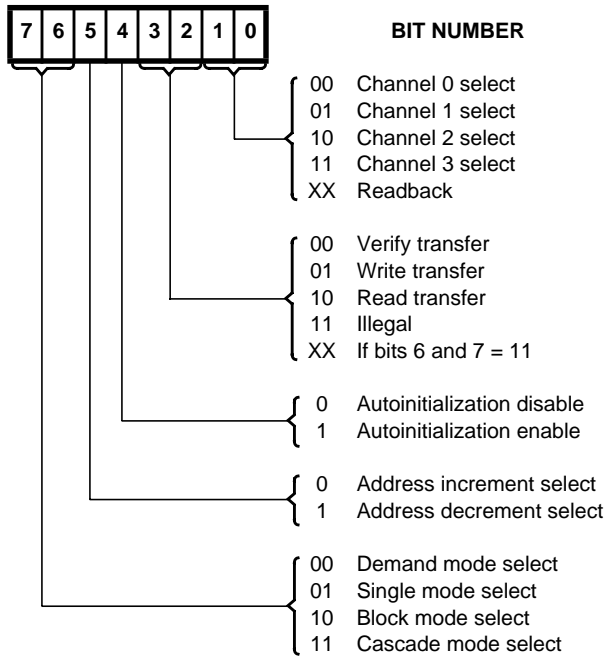
**Command Register** - This 8-bit register controls the operation of the 82C237. It is programmed by the microprocessor and is cleared by RESET or a Master Clear instruction. The following diagram lists the function of the Command register bits. See Figure 4 for Read and Write addresses.

**Command Register**



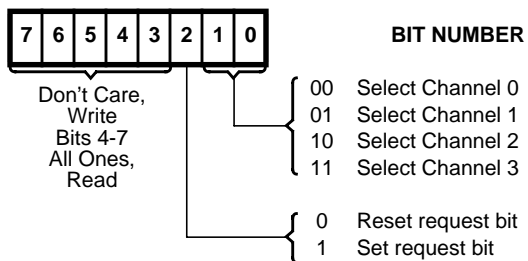
**Mode Register** - Each channel has a 6-bit Mode register associated with it. When the register is being written to by the microprocessor in the Program condition, bits 0 and 1 determine which channel Mode register is to be written. When the processor reads a Mode register, bits 0 and 1 will both be ones. See the following diagram and Figure 4 for Mode register functions and addresses.

**Mode Register**



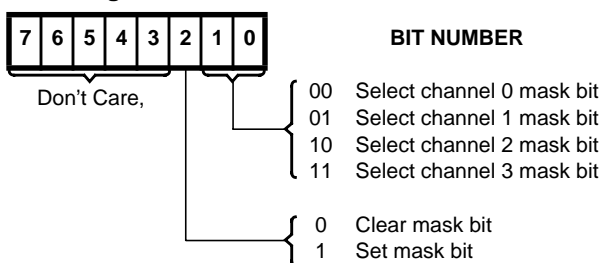
**Request Register** - The 82C237 can respond to requests for DMA service which are initiated by software as well as by a DREQ. Each channel has a request bit associated with it in the 4-bit Request register. These are non-maskable and subject to prioritization by the Priority Encoder network. Each register bit is set or reset separately under software control. The entire register is cleared by a RESET or Master Clear instruction. To set or reset a bit, the software loads the proper form of the data word. See Figure 4 for register address coding, and the following diagram for Request register format. A software request for DMA operation can be made in block or single modes. For memory-to-memory transfers, the software request for channel 0 should be set. When reading the Request register, bits 4-7 will always read as ones, and bits 0-3 will display the request bits of channels 0-3 respectively.

**Mode Register**

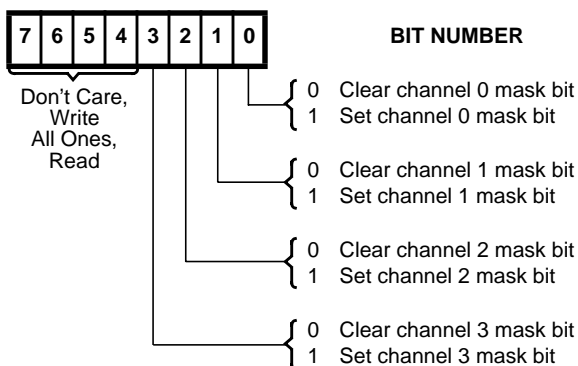


**Mask Register** - Each channel has associated with it a mask bit which can be set to disable an incoming DREQ. Each mask bit is set when its associated channel produces an  $\overline{EOP}$  if the channel is not programmed to Autoinitialize. Each bit of the 4-bit Mask register may also be set or cleared separately or simultaneously under software control. The entire register is also set by a RESET or Master clear. This disables all hardware DMA requests until a Clear Mask Register instruction allows them to occur. The instruction to separately set or clear the mask bits is similar in form to that used with the Request register. Refer to the following diagram and Figure 4 for details. When reading the Mask register, bits 4-7 will always read as logical ones, and bits 0-3 will display the mask bits of channels 0-3, respectively. The 4-bits of the mask register may be cleared simultaneously by using the Clear Mask Register command (see software commands section).

#### Mask Register

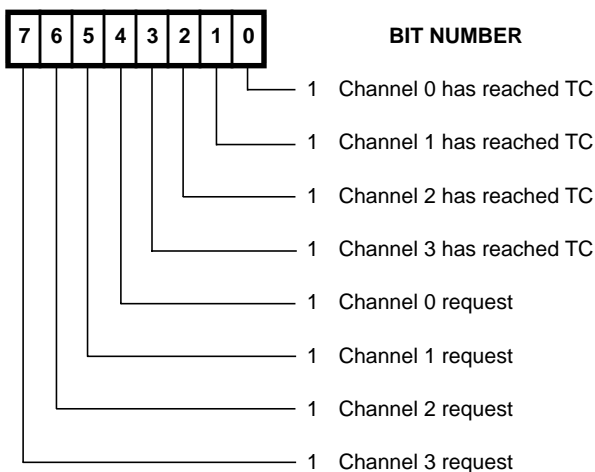


All four bits of the Mask register may also be written with a single command.



**Status Register** - The Status register is available to be read out of the 82C237 by the microprocessor. It contains information about the status of the devices at this point. This information includes which channels have reached a terminal count and which channels have pending DMA requests. Bits 0-3 are set every time a TC is reached by that channel or an external  $\overline{EOP}$  is applied. These bits are cleared upon RESET, Master Clear, and on each Status Read. Bits 4-7 are set whenever their corresponding channel is requesting service, regardless of the mask bit state. If the mask bits are set, software can poll the Status register to determine which channels have DREQs, and selectively clear a mask bit, thus allowing user defined service priority. Status bits 4-7 are updated while the clock is high, and latched on the falling edge. Status Bits 4-7 are cleared upon RESET or Master Clear.

#### Status Register



**Temporary Register** - The Temporary register is used to hold data during memory-to-memory transfers. Following the completion of the transfers, the last byte moved can be read by the microprocessor. The Temporary register always contains the last byte transferred in the previous memory-to-memory operation, unless cleared by a RESET or Master Clear.

OPERATION	A3	A2	A1	A0	$\overline{IOR}$	$\overline{IOW}$
Read Status Register	1	0	0	0	0	1
Write Command Register	1	0	0	0	1	0
Read Request Register	1	0	0	1	0	1
Write Request Register	1	0	0	1	1	0
Read Command Register	1	0	1	0	0	1
Write Single Mask Bit	1	0	1	0	1	0
Read Mode Register	1	0	1	1	0	1
Write Mode Register	1	0	1	1	1	0
Set First/Last F/F	1	1	0	0	0	1
Clear First/Last F/F	1	1	0	0	1	0
Read Temporary Register	1	1	0	1	0	1
Master Clear	1	1	0	1	1	0
Clear Mode Reg. Counter	1	1	1	0	0	1
Clear Mask Register	1	1	1	0	1	0
Read All Mask Bits	1	1	1	1	0	1
Write All Mask Bits	1	1	1	1	1	0

FIGURE 4. SOFTWARE COMMAND CODES AND REGISTER CODES

## Software Commands

There are special software commands which can be executed by reading or writing to the 82C237. These commands do not depend on the specific data pattern on the data bus, but are activated by the I/O operation itself. On read type commands, the data value is not guaranteed. These commands are:

**Clear First/Last Flip-Flop** - This command is executed prior to writing or reading new address or word count information to the 82C237. This command initializes the flip-flop to a known state (low byte first) so that subsequent accesses to register contents by the microprocessor will address upper and lower bytes in the correct sequence.

**Set First/Last Flip-Flop** - This command will set the flip-flop to select the high byte first on read and write operations to address and word count registers.

**Master Clear** - This software instruction has the same effect as the hardware RESET. The Command, Status, Request, and Temporary registers, and Internal First/Last Flip-Flop and mode register counter are cleared and the Mask register is set. The 82C237 will enter the idle cycle.

**Clear Mask Register** - This command clears the mask bits of all four channels, enabling them to accept DMA requests.

**Clear Mode Register Counter** - Since only one address location is available for reading the Mode registers, an internal two-bit counter has been included to select Mode registers during read operation. To read the Mode registers, first execute the Clear Mode Register Counter command, then do consecutive reads until the desired channel is read. Read order is channel 0 first, channel 3 last. The lower two bits on all Mode registers will read as ones.

## External $\overline{EOP}$ Operation

The  $\overline{EOP}$  pin is a bidirectional, open drain pin which may be driven by external signals to terminate DMA operation. Because  $\overline{EOP}$  is an open drain pin an external pull-up resistor to  $V_{CC}$  is required. The value of the external pull-up resistor used should guarantee a rise time of less than 125ns. It is important to note that the 82C237 will not accept external  $\overline{EOP}$  signals when it is in an SI (Idle) state. The controller must be active to latch EXT  $\overline{EOP}$ . Once latched, the EXT  $\overline{EOP}$  will be acted upon during the next S2 state, unless the 82C237 enters an idle state first. In the latter case, the latched  $\overline{EOP}$  is cleared. External  $\overline{EOP}$  pulses occurring between active DMA transfers in demand mode will not be recognized, since the 82C237 is in an SI state.

## 16-Bit Transfer Mode

The 82C237 is fully software and pin for pin compatible with the 82C37A. Therefore, the 82C237 may be used as a faster 82C37A without modifications to software or hardware. The 82C237 may be used as an 82C37A, however, the 82C237 has an additional feature in that it may be programmed to perform 16-bit DMA transfers, thus doubling data transfer rate. In 16-bit transfer mode the device operates the same as in normal (8-bit) transfer mode with exceptions noted in this section.

**16-Bit Transfer Mode Initialization** - To initialize the 82C237 to 16-bit Transfer Mode, a specific sequence of software commands must be written to the device immediately after a hardware RESET or a Master Clear instruction. The sequence to initialize 16-bit Transfer Mode is as follows:

- 1) Hardware RESET or Master Clear
- 2) Set First/Last Flip-Flop
- 3) Clear First/Last Flip-Flop

These software commands must occur sequentially with no communication to or from the 82C237 between commands. Once in 16-bit mode, the device will remain in this mode until a hardware RESET or Master Clear sets it back to normal (8-bit) transfer mode. If this initialization sequence is not followed exactly, the 82C237 will operate exactly like the 82C37A or the 82C237 in normal 8-bit mode.

**16-Bit DMA Transfers** - In 16-bit transfer mode, each DMA channel may be programmed to perform 8-bit or 16-bit transfers. Channels which are programmed to perform 8-bit transfers will operate like a normal 82C37A transfer. On channels programmed to perform 16-bit transfers, the Current Address register, which is normally incremented or decremented by one after each transfer, is incremented or decremented by two after each transfer. Also, the Current Word Count register, which is normally decremented by one after each transfer, is decremented by two after each transfer.

**16-Bit Memory-to-Memory Transfers** - 16-bit memory-to-memory transfers require an external latch to temporarily store the 8 most significant bits of data. When 16-bit transfer mode is enabled, Pin 5 (DWLE) becomes an active output which may be used to enable the external data latch during memory-to-memory operations. See Figure 9 for a 16-bit DMA application. Channels 0 and 1 operate as memory-to-memory transfer channels. If either channel 0 or channel 1 is programmed to perform 16-bit transfers when a memory-to-memory transfer is initiated, the transfer will be a 16-bit transfer. If 8-bit memory-to-memory transfers are desired while the 82C237 is in 16-bit transfer mode, channels 0 and 1 must both be programmed for 8-bit transfers.

**Pin 5 DWLE Output** - When the 82C237 is initialized to 16-bit transfer mode, pin 5 is always high impedance three-stated. This insures compatibility with the 82C37A pin 5 description. In 16-bit transfer mode, this output becomes active and serves a dual purpose.

During the S1 cycle of a transfer, the DWLE output indicates the data width (0 = 16-bit, 1 = 8-bit) of the active channel. This signal may be used with the A0 output to generate a High Byte Enable signal for use in chip select decode logic. Since DWLE is a multiplexed pin, Data Width information needs to be captured in an external latch on the falling edge of ADSTB. See Figure 9 for a 16-bit DMA application.

During memory-to-memory transfer, the DWLE output is used to enable an external latch which temporarily stores the 8 most significant bits of data during the read-from-memory half of the transfer. DWLE enables this byte of data onto the data bus during the write-to-memory half of the transfer. See Figure 9 for a 16-bit DMA application.

If an active channel is cascaded, as defined by its mode register, DWLE will be driven low at the start of the transfer, and will remain low for the entire transfer. This allows the DWLE signal from the slave 82C237 to control the system. To form the system DWLE signal for cascaded 82C237s, simply "OR" the individual DWLE outputs of the Master and Slaves.

### Registers Affected by 16-Bit Transfer Mode

**Current Address Register** - Each channel has a 16-bit Current Address register. This register holds the value of the address used during DMA transfers. On channels programmed to perform 8-bit DMA transfers, the address is automatically incremented or decremented by one after each transfer. On channels programmed for 16-bit DMA transfers, the address is automatically incremented or decremented by two after each transfer.

During all 16-bit transfers, the A0 output will remain low for the entire transfer, even if an odd address is programmed into the channel's Current Address register (i.e. only even word addresses will be generated).

The Current Address register is written or read by the microprocessor in successive 8-bit bytes. See Figure 6 for programming information. It may also be reinitialized by an Autoinitialize back to its original value. Autoinitialize takes place only after an  $\overline{EOP}$ . In memory-to-memory mode, the channel 0 Current Address register can be prevented from incrementing or decrementing by setting the address hold bit in the Command register.

**Current Word Count Register** - Each channel has a 16-bit Current Word Count register. This register determines the number of transfers to be performed. On channels programmed for 8-bit transfers, the actual number of transfers will be one more than the number programmed in the Current Word Count register (i.e. programming a count of 100 will result in 101 transfers). The word count is decremented by one after each transfer on 8-bit transfer channels.

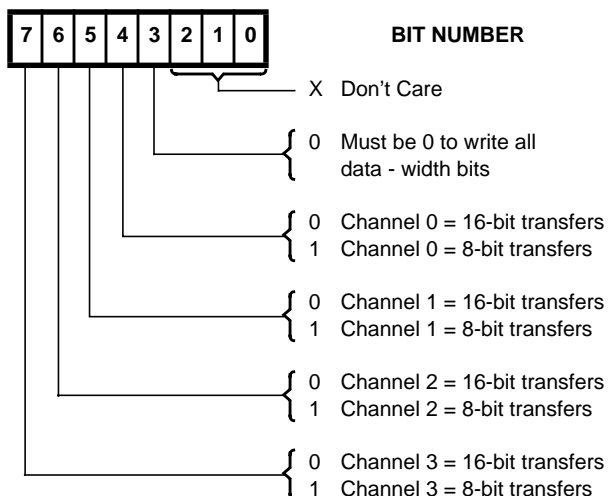
On channels programmed for 16-bit transfers, the word count is decremented by two after each transfer. This means that for even values in the Current Word Count register, the actual number of transfers will be  $n/2 + 1$ , where  $n$  is the value in the Current Word Count register. For odd values in this register, the actual number of transfers will be  $(n+1)/2$ . When the value in the Current Word Count register decrements past zero (i.e. 0 to FFFE<sub>H</sub> or 1 to FFFF<sub>H</sub>), a TC will be generated.

This register is loaded or read in successive 8-bit bytes by the microprocessor in the Program Condition. See Figure 6 for programming information. Following the end of a DMA service it may also be reinitialized by an Autoinitialization back to its original value. Autoinitialization can occur only when an  $\overline{EOP}$  occurs. If it is not Autoinitialized, this register will have a count of FFFF<sub>H</sub> after TC on 8-bit transfers, or FFFE<sub>H</sub> after TC on 16-bit transfers.

**Data-Width Register** - When 16-bit transfer mode is enabled, the Data-Width register becomes accessible and is used to program each DMA channel to perform either 8-bit transfers

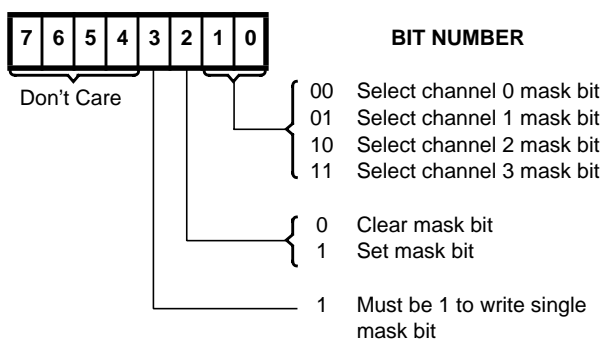
or 16-bit transfers. Data bits 4-7 represent DREQ channels 0-3 respectively and determine the data width (8-bit or 16-bit) of each channel during DMA transfers. When programming this register, bit 3 of the data must be set to "0". Since the address of the Data-Width register is the same as the Mask register, bit 3 selects which register is actually written.

#### Data-Width Register - 16-bit transfer mode enabled



**Mask Register** - In 16-bit transfer mode this register operates the same as the previous Mask register description with the exception of bit 3 when writing the instruction to separately set or clear a mask bit. Bit 3 of the data must be "1" when writing a single mask bit. Bits 4-7 are ignored when this instruction is written. Refer to the following diagram for writing single mask bits.

#### Mask Register - 16-bit transfer mode enabled



The software command to write all four bits of the Mask register has no effect on the state of the Data-Width bits.

When reading the Mask/Data-Width register (they share the same address), bits 0-3 will always display the mask bits of channels 0-3, respectively. With 16-bit transfer mode not enabled, bits 4-7 will always read as logical ones. With 16-bit transfer mode enabled, bits 4-7 will display the data-width bits for channels 0-3 respectively.

The Mask and Data-Width registers are set by RESET or Master Clear. This disables all hardware DMA requests until a clear mask bit instruction allows them to be recognized. RESET or Master Clear forces the Mask and Data-Width

registers to operate as in normal mode (Data-Width register not accessible) until 16-bit transfer mode is again entered. The four mask bits may also be cleared simultaneously by using the Clear Mask Register command (see software commands section). This command has no effect on the data-width bits.

**Temporary Register** - The internal Temporary register is used to hold data during memory-to-memory transfers. Following the completion of the transfers, the last byte moved can be read by the microprocessor. In the case of 16-bit transfers, only the least significant 8-bits of the last word transferred are stored in this register. The Temporary register always contains the last byte transferred in the previous memory-to-memory operation, unless cleared by a RESET or Master Clear.

### Software Commands Affected by 16-Bit Mode

**Master Clear** - This software instruction has the same effect as the hardware RESET. The Command, Status, Request, and Temporary registers, and Internal First/Last Flip-Flop and mode register counter are cleared and the Mask register is set. When the Master Clear instruction occurs while in 16-bit transfer mode, the 82C237 enters normal (8-bit) transfer mode in the Idle cycle.

**Clear Mask Register** - This command clears the mask bits of all four channels, enabling them to accept DMA requests. This command has no effect on data-width bits in 16-bit transfer mode.

OPERATION	A3	A2	A1	A0	$\overline{\text{IOR}}$	$\overline{\text{IOW}}$
Read Status Register	1	0	0	0	0	1
Write Command Register	1	0	0	0	1	0
Read Request Register	1	0	0	1	0	1
Write Request Register	1	0	0	1	1	0
Read Command Register	1	0	1	0	0	1
Write Single Mask Bit (Note 1)	1	0	1	0	1	0
Write All Data-Width Bits (Notes 1, 2)	1	0	1	0	1	0
Read Mode Register	1	0	1	1	0	1
Write Mode Register	1	0	1	1	1	0
Set First/Last F/F	1	1	0	0	0	1
Clear First/Last F/F	1	1	0	0	1	0
Read Temporary Register	1	1	0	1	0	1
Master Clear	1	1	0	1	1	0
Clear Mode Reg. Counter	1	1	1	0	0	1
Clear Mask Register	1	1	1	0	1	0
Read All Mask/Data-Width Bits (Note 2)	1	1	1	1	0	1
Write All Mask Bits	1	1	1	1	1	0

NOTES:

1. The register to be written is determined by data bit 3.
2. Data-Width bits exist in 82C237, 16-bit mode only.

FIGURE 5. 16-BIT MODE SOFTWARE COMMAND CODES AND REGISTER CODES

CHANNEL	REGISTER	OPERATION	SIGNALS							FIRST/LAST FLIP-FLOP STATE	DATA BUS DB0-DB7
			$\overline{CS}$	$\overline{IOR}$	$\overline{IOW}$	A3	A2	A1	A0		
0	Base and Current Address	Write	0	1	0	0	0	0	0	0	A0-A7
			0	1	0	0	0	0	0	1	A8-A15
	Current Address	Read	0	0	1	0	0	0	0	0	A0-A7
			0	0	1	0	0	0	0	1	A8-A15
	Base and Current Word Count	Write	0	1	0	0	0	0	1	0	W0-W7
			0	1	0	0	0	0	1	1	W8-W15
Current Word Count	Read	0	0	1	0	0	0	1	0	W0-W7	
		0	0	1	0	0	0	1	1	W8-W15	
1	Base and Current Address	Write	0	1	0	0	0	1	0	0	A0-A7
			0	1	0	0	0	1	0	1	A8-A15
	Current Address	Read	0	0	1	0	0	1	0	0	A0-A7
			0	0	1	0	0	1	0	1	A8-A15
	Base and Current Word Count	Write	0	1	0	0	0	1	1	0	W0-W7
			0	1	0	0	0	1	1	1	W8-W15
Current Word Count	Read	0	0	1	0	0	1	1	0	W0-W7	
		0	0	1	0	0	1	1	1	W8-W15	
2	Base and Current Address	Write	0	1	0	0	1	0	0	0	A0-A7
			0	1	0	0	1	0	0	1	A8-A15
	Current Address	Read	0	0	1	0	1	0	0	0	A0-A7
			0	0	1	0	1	0	0	1	A8-A15
	Base and Current Word Count	Write	0	1	0	0	1	0	1	0	W0-W7
			0	1	0	0	1	0	1	1	W8-W15
Current Word Count	Read	0	0	1	0	1	0	1	0	W0-W7	
		0	0	1	0	1	0	1	1	W8-W15	
3	Base and Current Address	Write	0	1	0	0	1	1	0	0	A0-A7
			0	1	0	0	1	1	0	1	A8-A15
	Current Address	Read	0	0	1	0	1	1	0	0	A0-A7
			0	0	1	0	1	1	0	1	A8-A15
	Base and Current Word Count	Write	0	1	0	0	1	1	1	0	W0-W7
			0	1	0	0	1	1	1	1	W8-W15
Current Word Count	Read	0	0	1	0	1	1	1	0	W0-W7	
		0	0	1	0	1	1	1	1	W8-W15	

FIGURE 6. WORD COUNT AND ADDRESS REGISTER COMMAND CODES

## Application Information

Figure 7 shows an application for a DMA system utilizing the 82C237 DMA controller and the 80C88 Microprocessor. In this application, the 82C237 DMA controller is used to improve system performance by allowing an I/O device to transfer data directly to or from system memory.

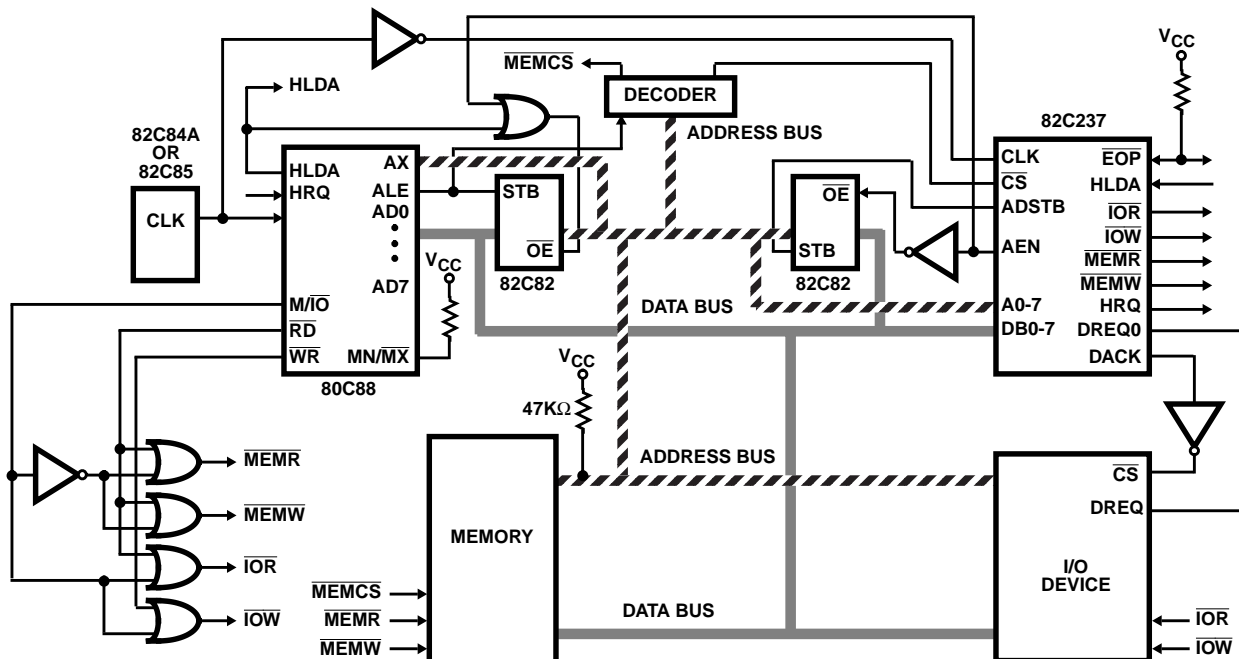
### Components

The system clock is generated by the 82C84A clock driver and is inverted to meet the clock high and low times required by the 82C237 DMA controller. The four OR gates are used to support the 80C88 Microprocessor in minimum mode by producing the control signals used by the processor to access memory or I/O. A decoder is used to generate chip select for the DMA controller and memory. The most significant bits of the address are output on the address/data bus. Therefore, the 82C82 octal latch is used to demultiplex the

address. Hold Acknowledge (HLDA) and Address Enable (AEN) are "ORed" together to insure that the DMA controller does not have bus contention with the microprocessor.

### Operation

A DMA request (DREQ) is generated by the I/O device. After receiving the DMA request, the DMA controller will issue a Hold request (HRQ) to the processor. The system busses are not released to the DMA controller until a Hold Acknowledge signal is returned to the DMA controller from the 80C88 processor. After the Hold Acknowledge has been received, addresses and control signals are generated by the DMA controller to accomplish the DMA transfers. Data is transferred directly from the I/O device to memory (or vice versa) with  $\overline{\text{IOR}}$  and MEMW (or MEMR and  $\overline{\text{IOW}}$ ) being active. Note that data is not read into or driven out of the DMA controller in I/O-to-memory or memory-to-I/O data transfers.



NOTE: The address lines need pull-up resistors.

FIGURE 7. APPLICATION FOR DMA SYSTEM

## 82C237

Figure 8 shows an application for a DMA system using the 82C237 DMA controller and the 80C286 Microprocessor.

In this application, the system clock comes from the 82C284 clock generator PCLK signal which is inverted to provide proper READY setup and hold times to the DMA controller in an 80C286 system. The Read and Write signals from the DMA controller may be wired directly to the Read/Write control signals from the 82C288 Bus Controller. The octal latch

for A8-A15 from the DMA controller's data bus is on the local 80C286 address bus so that memory chip selects may still be generated during DMA transfers. The transceiver on A0-A7 is controlled by AEN and is not necessary, but may be used to drive a heavily loaded system address bus during transfers. The data bus transceivers simply isolate the DMA controller from the local microprocessor bus and allow programming on the upper or lower half of the data bus.

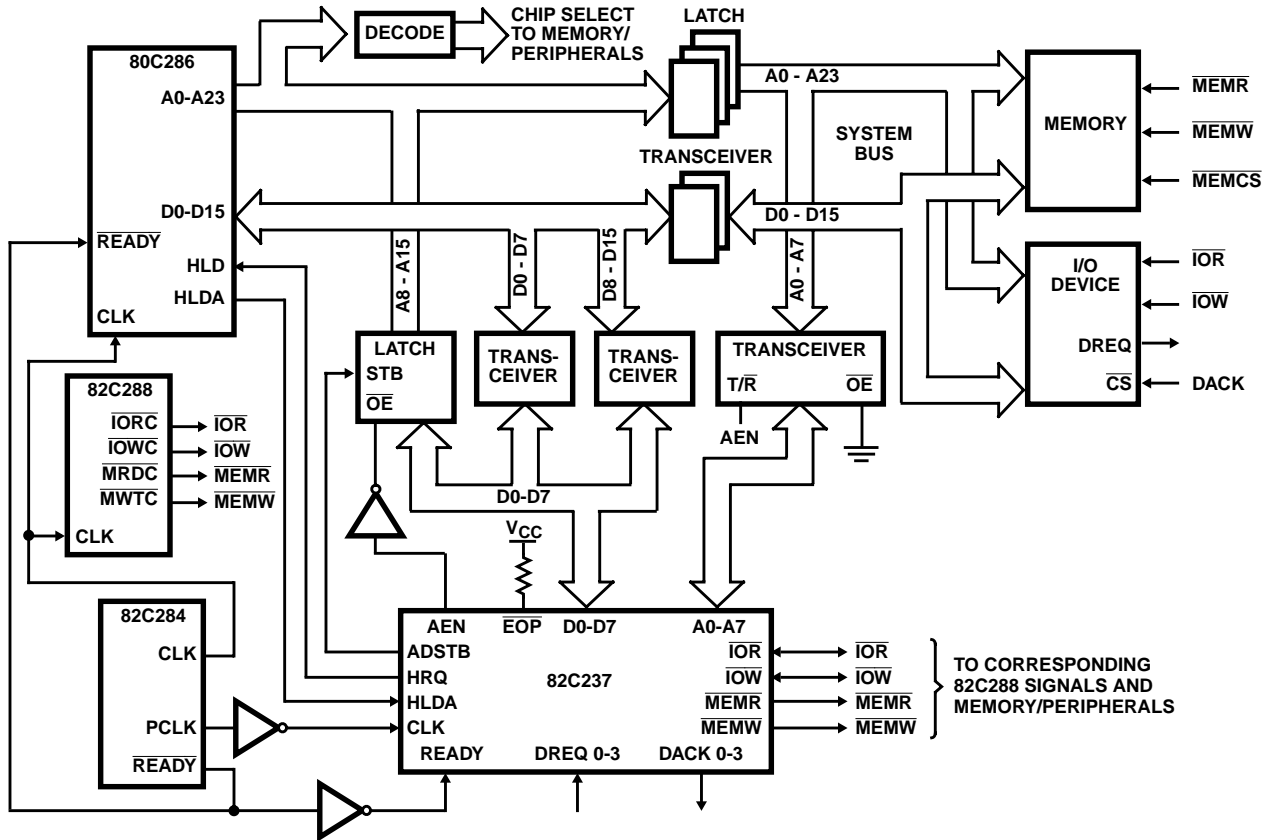
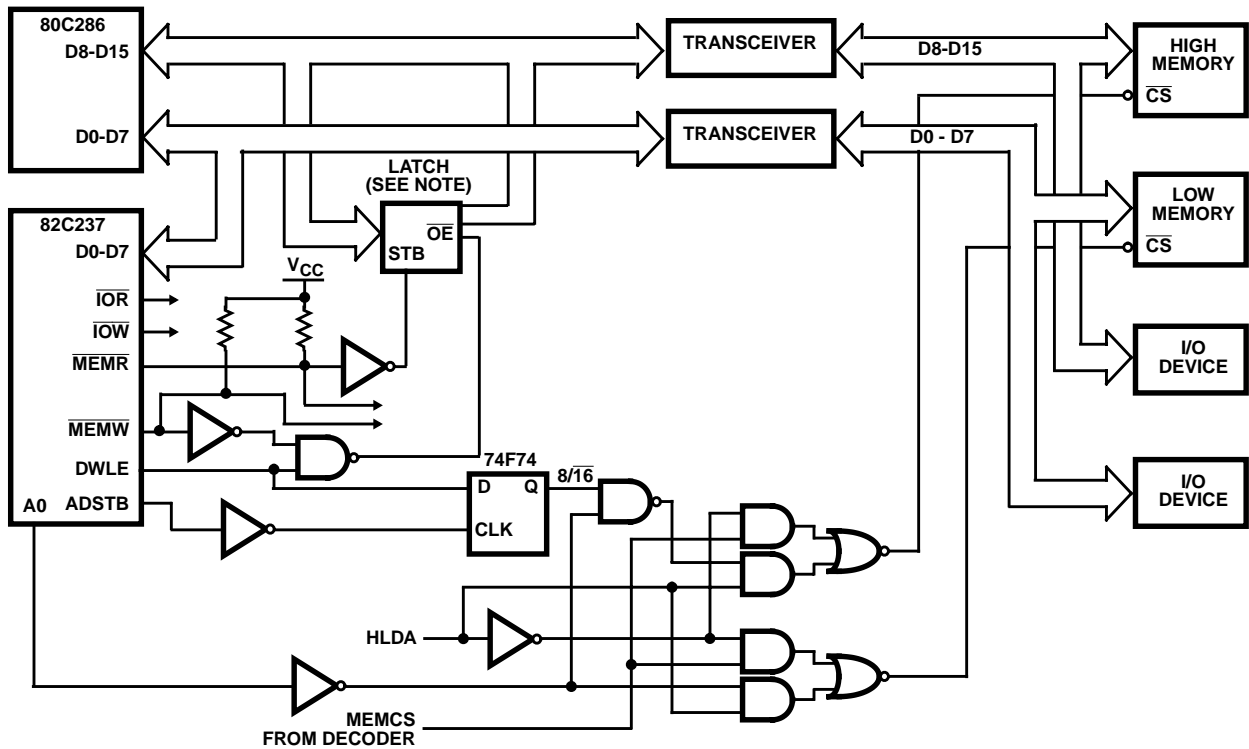


FIGURE 8. 80C286 DMA APPLICATION



Figure 9 shows the data bus for a 16-bit DMA application with the 82C237. High memory and low memory are selected accordingly with A0 and the 8/16 signal during DMA transfers. The 8/16 signal is formed from DWLE with a D flip-flop and ADSTB. ADSTB must be inverted to the D flip-flop since DWLE is set up to the falling edge of ADSTB and the 74F74 latches data on the rising edge of CLK.

The ADSTB inverted could be eliminated by using a 74F75 falling edge D latch. The latch on D8-D15 is needed for 16-bit memory-to-memory transfers. The upper eight bits of data are latched by MEMR during the read half of the transfer. The data is then enabled onto the data bus during the write half of the transfer.



NOTE: Only needed for memory-to-memory transfers.

FIGURE 9. DATA BUS FOR 16-BIT DMA APPLICATION

# 82C237

## Absolute Maximum Ratings

Supply Voltage ..... +8.0V  
 Input, Output or I/O Voltage ..... GND -0.5V to  $V_{CC} + 0.5V$   
 ESD Classification ..... Class 1

## Operating Conditions

Operating Voltage Range ..... +4.5V to +5.5V  
 Operating Temperature Range  
   C82C237 ..... 0°C to +70°C  
   I82C237 ..... -40°C to +85°C  
   M82C237 ..... -55°C to +125°C

## Thermal Information

Thermal Resistance (Typical)	$\theta_{JA}$ (°C/W)	$\theta_{JC}$ (°C/W)
CERDIP Package	50	10
CLCC Package	65	14
PDIP Package	55	N/A
PLCC Package	50	N/A

Storage Temperature Range ..... -65°C to +150°C  
 Maximum Junction Temperature Ceramic Package ..... +175°C  
 Maximum Junction Temperature Plastic Package ..... +150°C  
 Maximum Lead Temperature (Soldering 10s) ..... +300°C  
   Ceramic Package  
 Maximum Lead Temperature (Soldering 10s) ..... +260°C  
   Plastic Package

## Die Characteristics

Gate Count ..... 2325 Gates

*CAUTION: Stresses above those listed in "Absolute Maximum Ratings" may cause permanent damage to the device. This is a stress only rating and operation of the device at these or any other conditions above those indicated in the operational sections of this specification is not implied.*

**DC Electrical Specifications**  $V_{CC} = +5.0 \pm 10\%$ ,  $T_A = 0^\circ\text{C}$  to  $+70^\circ\text{C}$  (C82C237)  
 $T_A = -40^\circ\text{C}$  to  $+85^\circ\text{C}$  (I82C237)  
 $T_A = -55^\circ\text{C}$  to  $+125^\circ\text{C}$  (M82C237)

SYMBOL	PARAMETER	MIN	MAX	UNITS	TEST CONDITIONS
VIH	Logical One Input Voltage	2	-	V	C82C237, I82C237
		2.2	-	V	M82C237
VIL	Logical Zero Input Voltage	-	0.8	V	
VIHC	CLK Input Logical One Voltage	$V_{CC} - 0.8$	-	V	
VILC	CLK Input Logical Zero Voltage	-	0.8	V	
VOH	Output HIGH Voltage	3.0	-	V	IOH = -2.5mA
		$V_{CC} - 0.4$	-	V	IOH = -100µA
VOL	Output LOW Voltage	-	0.4	V	IOL = +2.5mA all output except $\overline{EOP}$ , IOL = +3.2mA for $\overline{EOP}$ pin 36 only.
II	Input Leakage Current	-1	+1	µA	VIN = GND or $V_{CC}$ , Pins 6, 7, 11-13, 16-19
IO	Output Leakage Current	-10	+10	µA	VOU = GND or $V_{CC}$ , Pins 1-5, 21-23, 26-30, 32-40
ICCSB	Standby Power Supply Current	-	10	µA	$V_{CC} = 5.5V$ , VIN = $V_{CC}$ or GND, Outputs Open
ICCOP	Operating Power Supply Current	-	2	mA/MHz	$V_{CC} = 5.5V$ , CLK FREQ = Maximum, VIN = $V_{CC}$ or GND, Outputs Open

## Capacitance $T_A = +25^\circ\text{C}$

SYMBOL	PARAMETER	TYP	UNITS	TEST CONDITIONS
CIN	Input Capacitance	25	pF	FREQ = 1MHz, All measurements are referenced to device GND
COUT	Output Capacitance	40	pF	
CI/O	I/O Capacitance	25	pF	

## 82C237

**AC Electrical Specifications**  $V_{CC} = +5.0V \pm 10\%$ ,  $GND = 0V$ ,  $T_A = 0^\circ C$  to  $+70^\circ C$  (C82C237),  
 $T_A = -40^\circ C$  to  $+85^\circ C$  (I82C237),  
 $T_A = -55^\circ C$  to  $+125^\circ C$  (M82C237)

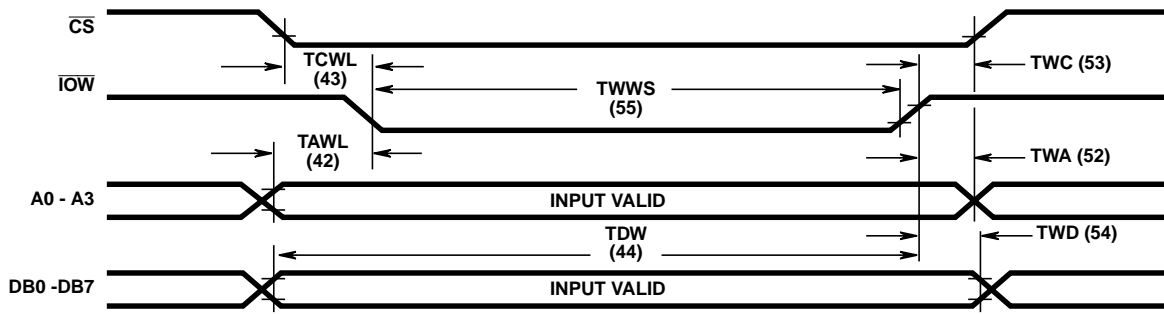
SYMBOL	PARAMETER	82C237		82C237-12		UNITS
		MIN	MAX	MIN	MAX	
<b>DMA (MASTER) MODE</b>						
(1)TAEL	AEN HIGH from CLK LOW (S1) Delay Time	-	105	-	50	ns
(2)TAET	AEN LOW from CLK HIGH (SI) Delay Time	-	80	-	50	ns
(3)TAFAB	ADR Active to Float Delay from CLK HIGH	-	55	-	55	ns
(4)TAFC	READ or WRITE Float Delay from CLK HIGH	-	75	-	50	ns
(5)TAFDB	DB Active to Float Delay from CLK HIGH	-	135	-	90	ns
(6)TAHR	ADR from $\overline{READ}$ HIGH Hold Time	TCY-75	-	TCY-65	-	ns
(7)TAHS	DB from ADSTB LOW Hold Time	TCL-18	-	TCL-18	-	ns
(8)TAHW	ADR from $\overline{WRITE}$ HIGH Hold Time	TCY-65	-	TCY-50	-	ns
(9)TAK	DACK Valid from CLK LOW Delay Time	-	105	-	69	ns
	EOP HIGH from CLK HIGH Delay Time	-	105	-	90	ns
	EOP LOW from CLK HIGH Delay Time	-	60	-	35	ns
(10)TASM	ADR Stable from CLK HIGH	-	60	-	50	ns
(11)TASS	DB to ADSTB LOW Setup Time	TCH-20	-	TCH-20	-	ns
(12)TCH	CLK HIGH Time (Transitions 10ns)	55	-	30	-	ns
(13)TCL	CLK LOW Time (Transitions 10ns)	43	-	30	-	ns
(14)TCY	CLK Cycle Time	125	-	80	-	ns
(15)TDCL	CLK HIGH to $\overline{READ}$ or $\overline{WRITE}$ LOW Delay	-	130	-	120	ns
(16)TDCTR	$\overline{READ}$ HIGH from CLK HIGH (S4) Delay Time	-	115	-	80	ns
(17)TDCTW	$\overline{WRITE}$ HIGH from CLK HIGH (S4) Delay Time	-	80	-	70	ns
(18)TDQ	HRQ Valid from CLK HIGH Delay Time	-	75	-	30	ns
(19)TEPH	$\overline{EOP}$ Hold Time from CLK LOW (S2)	90	-	50	-	ns
(20)TEPS	EOP LOW to CLK LOW Setup Time	25	-	0	-	ns
(21)TEPW	EOP Pulse Width	135	-	50	-	ns
(22)TFAAB	ADR Valid Delay from CLK HIGH	-	60	-	50	ns
(23)TFAC	READ or WRITE Active from CLK HIGH	-	90	-	50	ns
(24)TFADB	DB Valid Delay from CLK HIGH	-	60	-	45	ns
(25)THS	HLDA Valid to CLK HIGH Setup Time	45	-	10	-	ns
(26)TIDH	Input Data from $\overline{MEMR}$ HIGH Hold Time	0	-	0	-	ns
(27)TIDS	Input Data to $\overline{MEMR}$ HIGH Setup Time	90	-	45	-	ns
(28)TODH	Output Data from $\overline{MEMW}$ HIGH Hold Time	15	-	TCY-50	-	ns
(29)TODV	Output Data Valid to $\overline{MEMW}$ HIGH	TCY-35	-	TCY-10	-	ns
(30)TQS	DREQ to CLK LOW (SI, S4) Setup Time	0	-	0	-	ns
(31)TRH	CLK to READY LOW Hold Time	20	-	10	-	ns
(32)TRS	READY to CLK LOW Setup Time	35	-	15	-	ns
(33)TCLSH	ADSTB HIGH from CLK LOW Delay Time	-	70	-	70	ns
(34)TCLSL	ADSTB LOW from CLK LOW Delay Time	-	120	-	60	ns

## 82C237

**AC Electrical Specifications**  $V_{CC} = +5.0V \pm 10\%$ ,  $GND = 0V$ ,  $T_A = 0^\circ C$  to  $+70^\circ C$  (C82C237),  
 $T_A = -40^\circ C$  to  $+85^\circ C$  (I82C237),  
 $T_A = -55^\circ C$  to  $+125^\circ C$  (M82C237) (Continued)

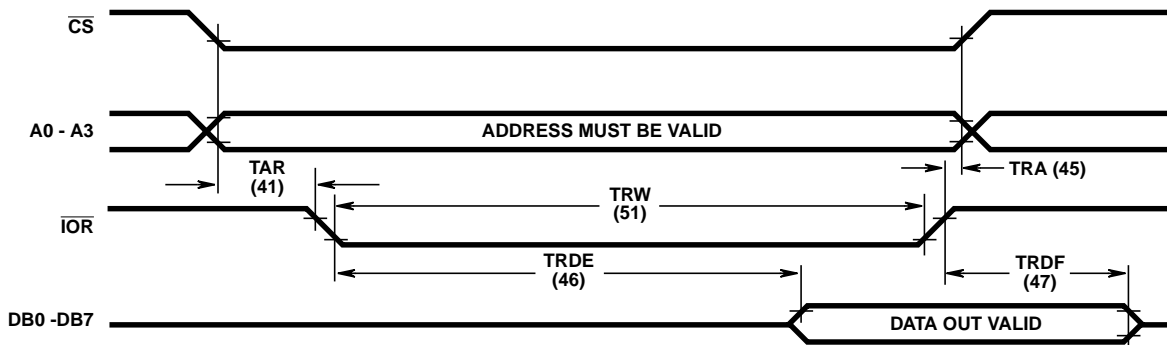
SYMBOL	PARAMETER	82C237		82C237-12		UNITS
		MIN	MAX	MIN	MAX	
(35)TWRRD	READ HIGH Delay from WRITE HIGH	0	-	5	-	ns
(36)TRLRH	READ Pulse Width, Normal Timing	2TCY-60	-	2TCY-55	-	ns
(37)TSHSL	ADSTB Pulse Width	TCY-50	-	TCY-35	-	ns
(38)TWLWHA	Extended $\overline{WRITE}$ Pulse Width	2TCY-85	-	2TCY-80	-	ns
(39)TWLWH	$\overline{WRITE}$ Pulse Width	TCY-85	-	TCY-80	-	ns
(40)TRLRHC	READ Pulse Width, Compressed	TCY-60	-	TCY-55	-	ns
(56)TAVRL	ADR Valid to $\overline{READ}$ LOW	17	-	17	-	ns
(57)TAVWL	ADR Valid to $\overline{WRITE}$ LOW	7	-	7	-	ns
(58)TRHAL	$\overline{READ}$ HIGH to AEN LOW	15	-	15	-	ns
(59)TRHSH	$\overline{READ}$ HIGH to ADSTB HIGH	13	-	13	-	ns
(60)TWHSH	$\overline{WRITE}$ HIGH to ADSTB HIGH	15	-	15	-	ns
(61)TDVRL	DACK Valid to $\overline{READ}$ LOW	25	-	25	-	ns
(62)TDVWL	DACK Valid to $\overline{WRITE}$ LOW	25	-	25	-	ns
(63)TRHDI	$\overline{READ}$ HIGH to DACK Inactive	12	-	12	-	ns
(64)TAZRL	ADR Float to $\overline{READ}$ LOW	-2.5	-	-2.5	-	ns
(65)TOEV	Output Enable Valid Before $\overline{WRITE}$ HIGH	TCY+20	-	TCY+20	-	ns
(66)TOEH	Output Enable Hold Time from $\overline{WRITE}$ HIGH	TCY-50	-	TCY-50	-	ns
<b>PERIPHERAL (SLAVE) MODE</b>						
(41)TAR	ADR Valid or $\overline{CS}$ LOW to $\overline{READ}$ LOW	10	-	0	-	ns
(42)TAWL	ADR Valid to $\overline{WRITE}$ LOW Setup Time	0	-	0	-	ns
(43)TCWL	$\overline{CS}$ LOW to $\overline{WRITE}$ LOW Setup Time	0	-	0	-	ns
(44)TDW	Data Valid to $\overline{WRITE}$ HIGH Setup Time	100	-	60	-	ns
(45)TRA	ADR or $\overline{CS}$ Hold from $\overline{READ}$ HIGH	0	-	0	-	ns
(46)TRDE	Data Access from $\overline{READ}$	-	120	-	80	ns
(47)TRDF	DB Float Delay from $\overline{READ}$ HIGH	5	85	5	55	ns
(48)TRSTD	Power Supply HIGH to RESET LOW Setup Time	500	-	500	-	ns
(49)TRSTS	RESET to First IOR or IOW	2TCY	-	2TCY	-	ns
(50)TRSTW	RESET Pulse Width	300	-	300	-	ns
(51)TRW	$\overline{READ}$ Pulse Width	155	-	85	-	ns
(52)TWA	ADR from $\overline{WRITE}$ HIGH Hold Time	0	-	0	-	ns
(53)TWC	$\overline{CS}$ HIGH from $\overline{WRITE}$ HIGH Hold Time	0	-	0	-	ns
(54)TWD	Data from $\overline{WRITE}$ HIGH Hold Time	10	-	10	-	ns
(55)TWWS	$\overline{WRITE}$ Pulse Width	100	-	45	-	ns

**Timing Waveforms**



**FIGURE 10. SLAVE MODE WRITE**

NOTE: Successive WRITE accesses to the 82C237 must allow at least TCY as recovery time between accesses. A TCY recovery time must be allowed before executing a WRITE access after a READ access.



**FIGURE 11. SLAVE MODE READ**

NOTE: Successive READ accesses to the 82C237 must allow at least TCY as recovery time between accesses. A TCY recovery time must be allowed before executing a READ access after a WRITE access.

Timing Waveforms (Continued)

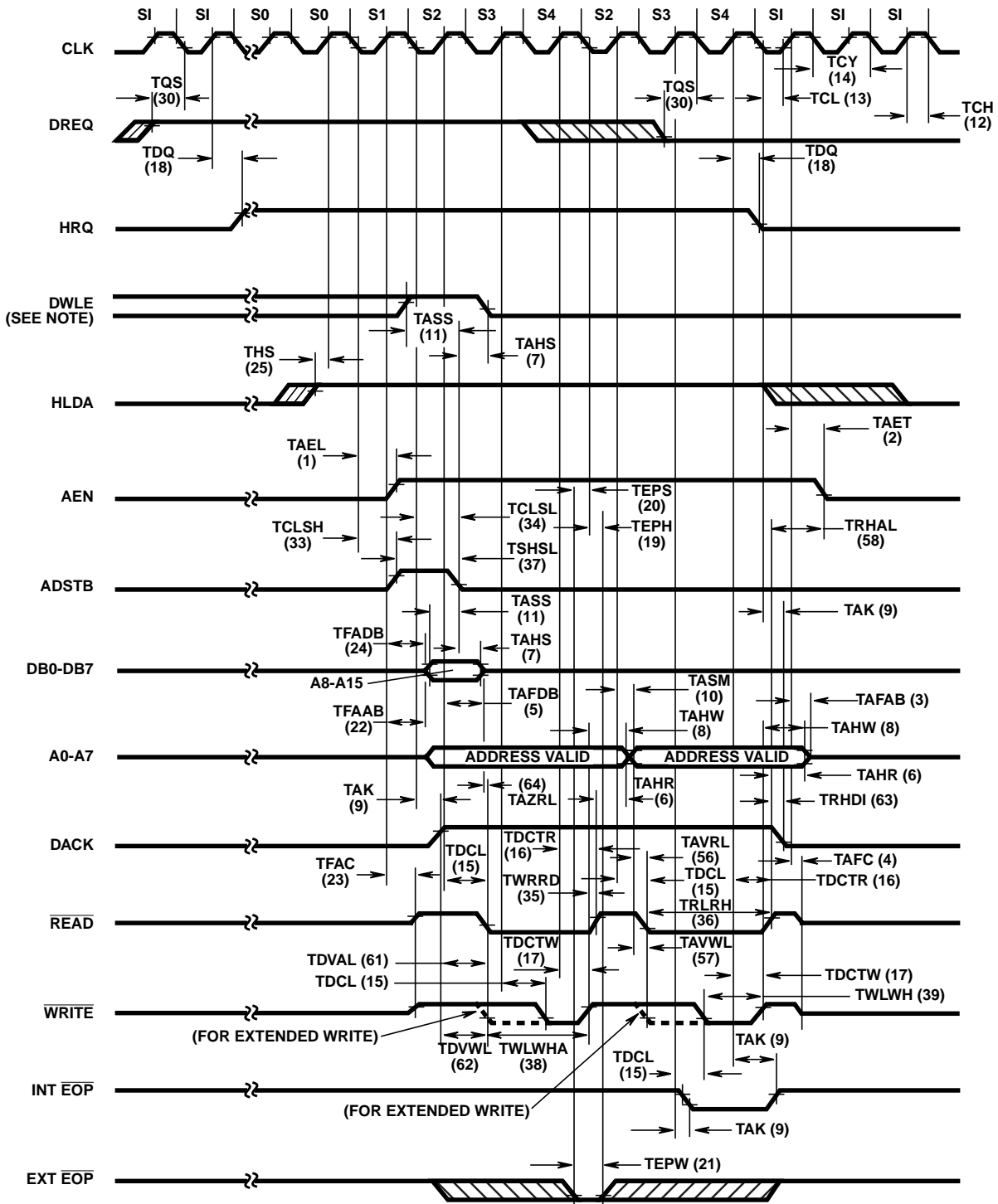


FIGURE 12. DMA TRANSFER

NOTE: For 16-bit mode, 82C237 only. In 8-bit mode this signal is always high impedance three-stated. Waveform shown is for an 8-bit transfer with the 82C237 programmed in 16-bit mode. For a 16-bit transfer, DWLE will go low at least TASS before the falling edge of ADSTB in S2, and remain low for the entire transfer.

Timing Waveforms (Continued)

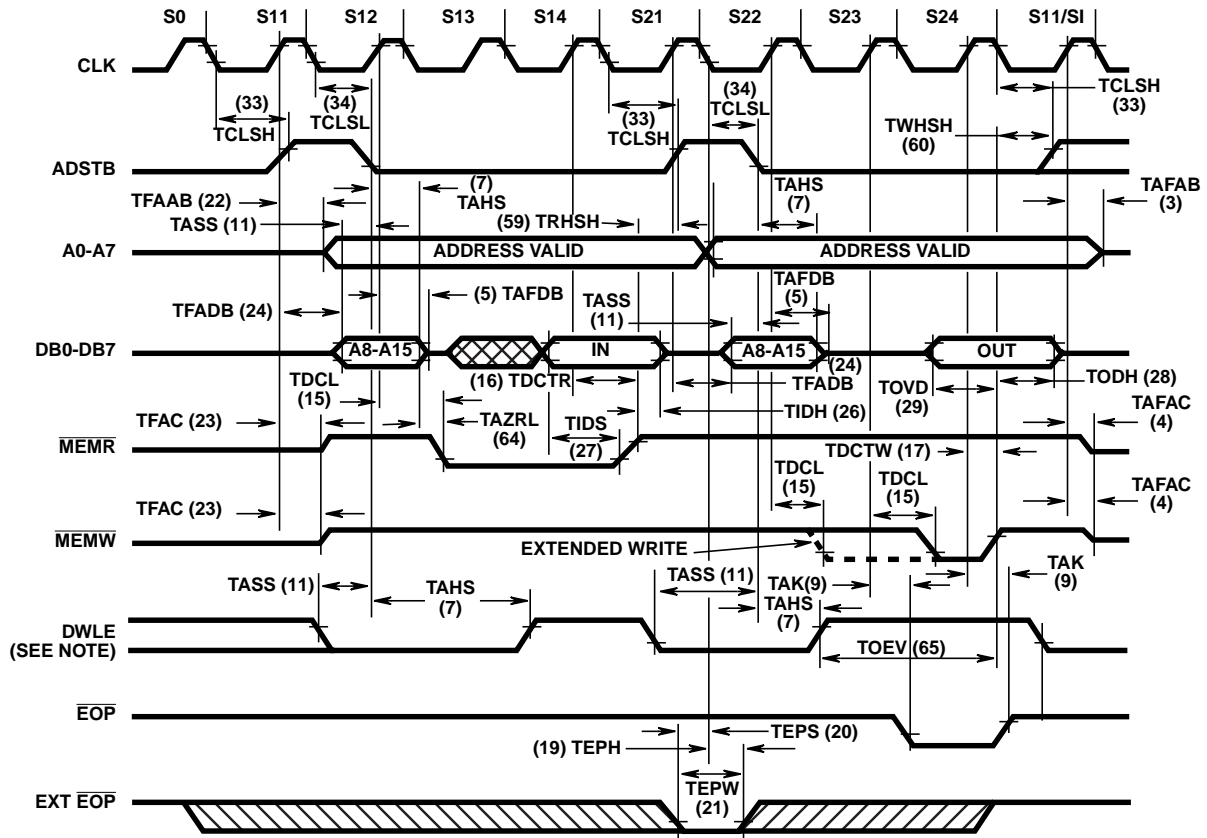


FIGURE 13. MEMORY-TO-MEMORY TRANSFER

NOTE: For 16-bit mode, 82C237 only. In 8-bit mode this signal is always high impedance three-stated. Waveform shown is for a 16-bit memory-to-memory transfer. For an 8-bit transfer in 16-bit mode, DWLE will go high at least TASS before the falling edge of ADSTB in S2, then low TAHS after the falling edge of ADSTB, and will remain low until the next ADSTB where the cycle is repeated.

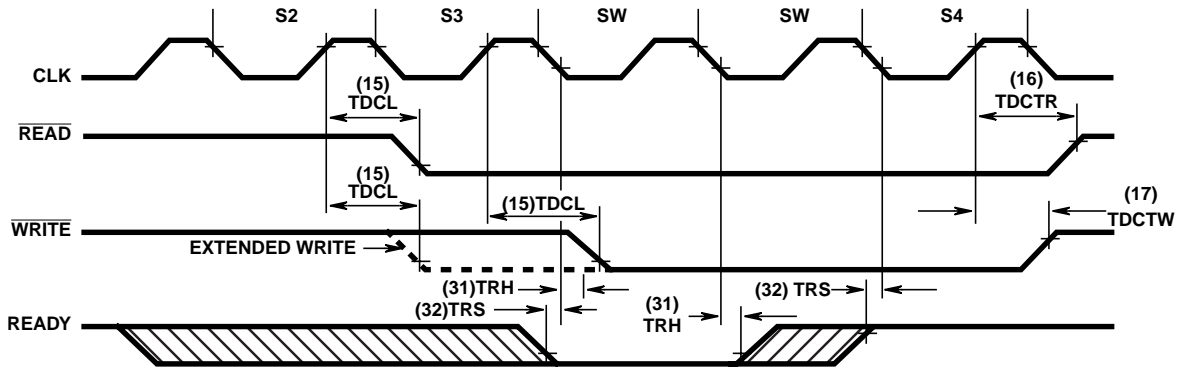


FIGURE 14. READY

NOTE: READY must not transition during the specified setup and hold times.

Timing Waveforms (Continued)

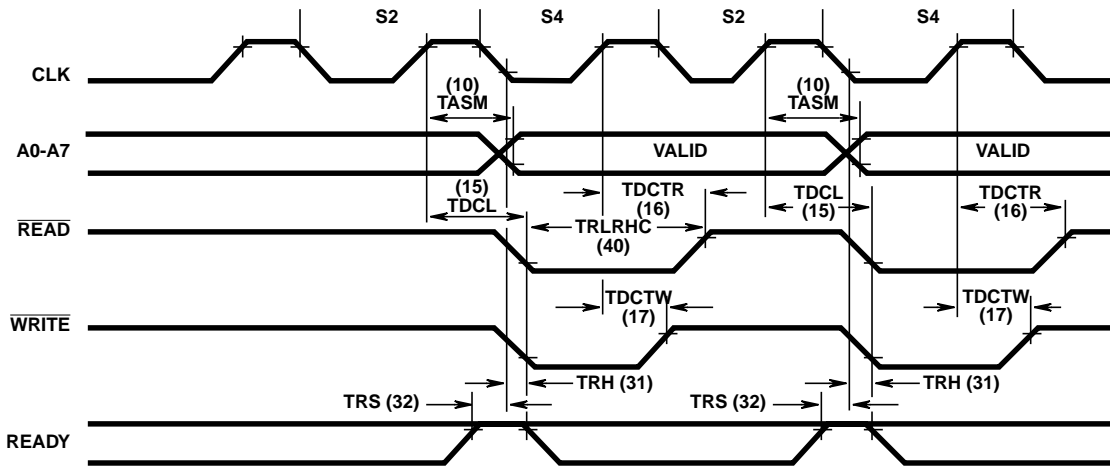


FIGURE 15. COMPRESSED TRANSFER

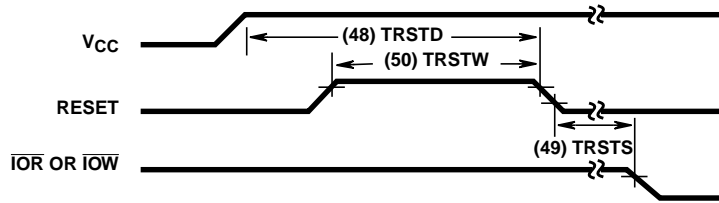
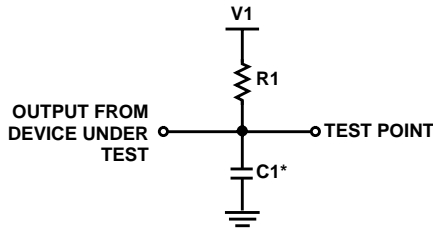


FIGURE 16. RESET

AC Test Circuits

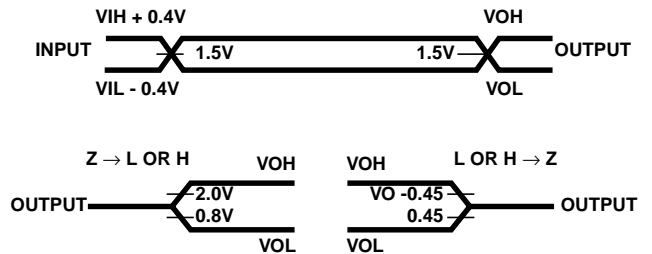


\* Includes STRAY and FIXTURE Capacitance

TEST CONDITION DEFINITION TABLE

PINS	V1	R1	C1
All Outputs Except $\bar{EOP}$	1.7V	520 $\Omega$	100pF
$\bar{EOP}$	V <sub>CC</sub>	1.6K $\Omega$	50pF

AC Testing Input, Output Waveforms



NOTE: AC Testing: All AC Parameters tested as per test circuits. Input RISE and FALL times are driven at  $1ns/V$ . CLK input must switch between  $V_{IH} + 0.4V$  and  $V_{IL} - 0.4V$



**Die Characteristics****DIE DIMENSIONS:**

148 x 159 x 19 ±1mils

**METALLIZATION:**

Type: 51Al

Thickness: 8kÅ ± 0.75kÅ

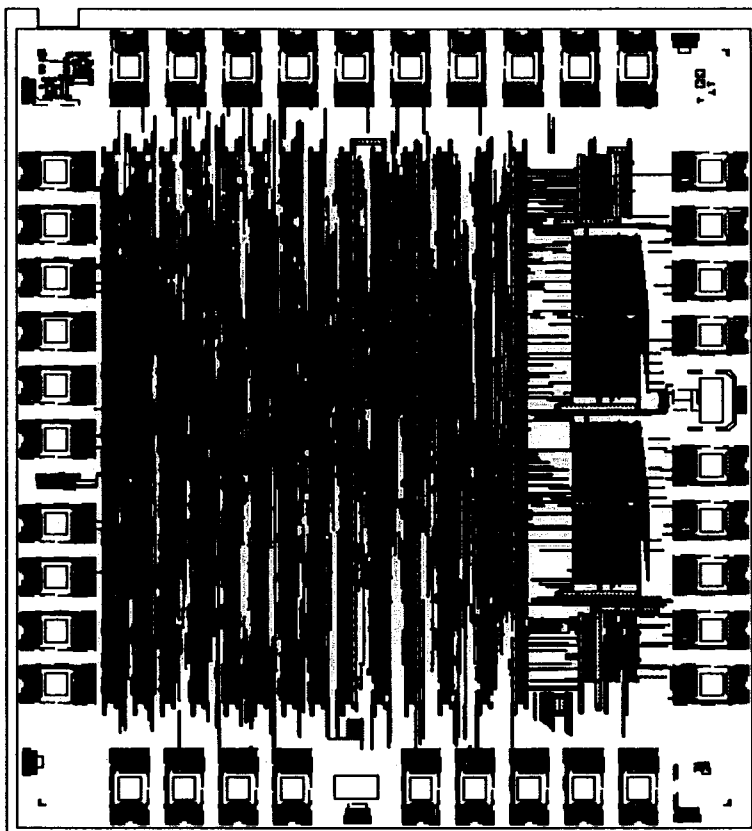
**GLASSIVATION:**

Type: Nitrox

Thickness: 10kÅ ± 3kÅ

**WORST CASE CURRENT DENSITY:** $0.6 \times 10^5 \text{ A/cm}^2$ **Metallization Mask Layout**

82C237



All Intersil semiconductor products are manufactured, assembled and tested under **ISO9000** quality systems certification.

*Intersil products are sold by description only. Intersil Corporation reserves the right to make changes in circuit design and/or specifications at any time without notice. Accordingly, the reader is cautioned to verify that data sheets are current before placing orders. Information furnished by Intersil is believed to be accurate and reliable. However, no responsibility is assumed by Intersil or its subsidiaries for its use; nor for any infringements of patents or other rights of third parties which may result from its use. No license is granted by implication or otherwise under any patent or patent rights of Intersil or its subsidiaries.*

For information regarding Intersil Corporation and its products, see web site <http://www.intersil.com>

**Sales Office Headquarters****NORTH AMERICA**

Intersil Corporation  
P. O. Box 883, Mail Stop 53-204  
Melbourne, FL 32902  
TEL: (407) 724-7000  
FAX: (407) 724-7240

**EUROPE**

Intersil SA  
Mercure Center  
100, Rue de la Fusee  
1130 Brussels, Belgium  
TEL: (32) 2.724.2111  
FAX: (32) 2.724.22.05

**ASIA**

Intersil (Taiwan) Ltd.  
Taiwan Limited  
7F-6, No. 101 Fu Hsing North Road  
Taipei, Taiwan  
Republic of China  
TEL: (886) 2 2716 9310  
FAX: (886) 2 2715 3029