

L132CB/2 SERIES
L132CB/3 SERIES

L132CB/4 SERIES
L132CB/5 SERIES

Features

- COLORS CAN BE MIXED IN A SINGLE HOUSING.
- 2,3,4,5 ELEMENTS.
- EASY INSTALLATION.
- SUITABLE FOR LEVEL INDICATORS.
- UL RATING : 94V-0.
- HOUSING MATERIAL: TYPE 66 NYLON.

Description

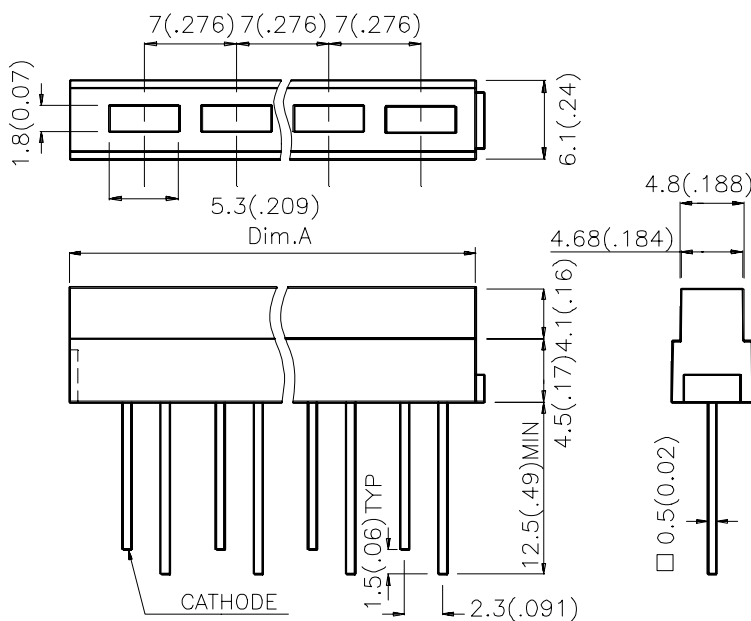
The Bright Red source color devices are made with Gallium Phosphide Red Light Emitting Diode.

The High Efficiency Red and Orange source color devices are made with Gallium Arsenide Phosphide on Gallium Phosphide Orange Light Emitting Diode.

The Green and Super Bright Green source color devices are made with Gallium Phosphide Green Light Emitting Diode.

The Yellow source color devices are made with Gallium Arsenide Phosphide on Gallium Phosphide Yellow Light emitting Diode.

Package Dimensions



L132CB/2xx [Dim.A : 14(.512)]
L132CB/3xx [Dim.A : 21(.827)]
L132CB/4xx [Dim.A : 28(1.02)]
L132CB/5xx [Dim.A : 35(1.38)]

Notes:

1. All dimensions are in millimeters (inches).
2. Tolerance is $\pm 0.25(0.01)$ " unless otherwise noted.
3. Lead spacing is measured where the lead emerge package.
4. Specifications are subject to change without notice.

Selection Guide

Part No.	Dice	Lens Type	Iv (mcd) @ 10 mA		Viewing Angle
			Min.	Typ.	2θ1/2
L132CB/2HD L132CB/3HD L132CB/4HD L132CB/5HD	BRIGHT RED (GaP)	RED DIFFUSED	0.3	0.5	110°
L132CB/2ID L132CB/3ID L132CB/4ID L132CB/5ID	HIGH EFFICIENCY RED (GaAsP/GaP)	RED DIFFUSED	1	3	110°
L132CB/2GD L132CB/3GD L132CB/4GD L132CB/5GD	GREEN (GaP)	GREEN DIFFUSED	1	2	110°
L132CB/2YD L132CB/3YD L132CB/4YD L132CB/5YD	YELLOW (GaAsP/GaP)	YELLOW DIFFUSED	1	1.5	110°

Note:

1. θ1/2 is the angle from optical centerline where the luminous intensity is 1/2 the optical centerline value.

Electrical / Optical Characteristics at T_A=25°C

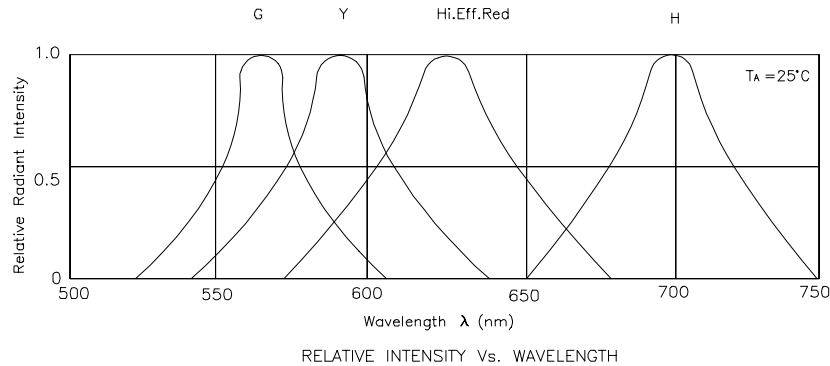
Symbol	Parameter	Device	Typ.	Max.	Units	Test Conditions
λ _{peak}	Peak Wavelength	Bright Red High Efficiency Red Green Yellow	700 627 565 590		nm	IF=20mA
λ _D	Dominate Wavelength	Bright Red High Efficiency Red Green Yellow	660 625 568 588		nm	IF=20mA
Δλ _{1/2}	Spectral Line Halfwidth	Bright Red High Efficiency Red Green Yellow	45 45 30 35		nm	IF=20mA
C	Capacitance	Bright Red High Efficiency Red Green Yellow	40 15 15 20		pF	VF=0V;f=1MHz
V _F	Forward Voltage	Bright Red High Efficiency Red Green Yellow	2.25 2.0 2.2 2.1	2.5 2.5 2.5 2.5	V	IF=20mA
I _R	Reverse Current	All		10	uA	VR = 5V

Absolute Maximum Ratings at $T_A=25^\circ\text{C}$

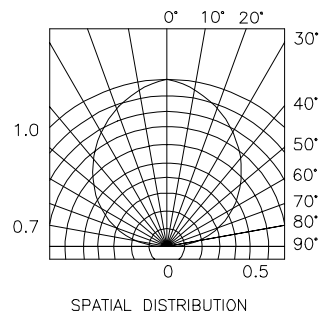
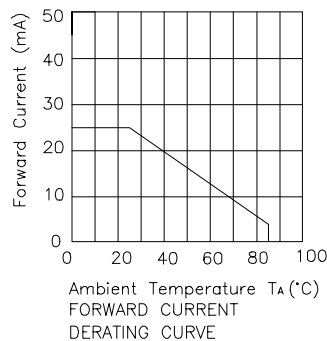
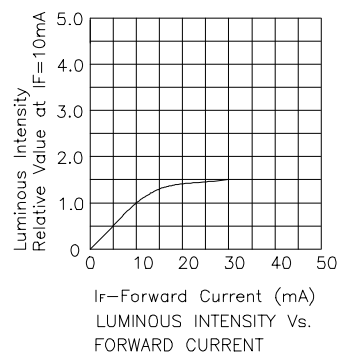
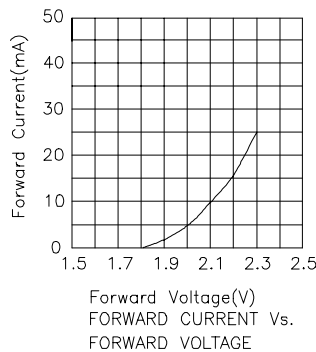
Parameter	Bright Red	High Efficiency Red	Green	Yellow	Units
Power dissipation	120	105	105	105	mW
DC Forward Current	25	30	25	30	mA
Peak Forward Current [1]	120	160	140	140	mA
Reverse Voltage	5	5	5	5	V
Operation/Storage Temperature	-40°C To +85°C				
Lead Solder Temperature [2]	260°C For 5 Seconds				

Notes:

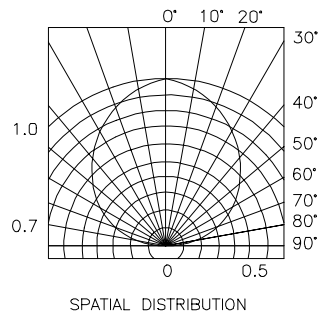
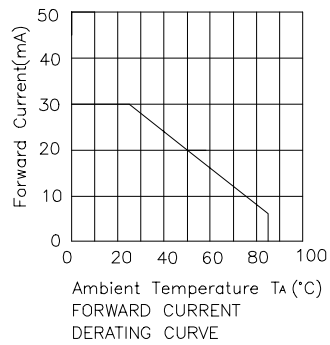
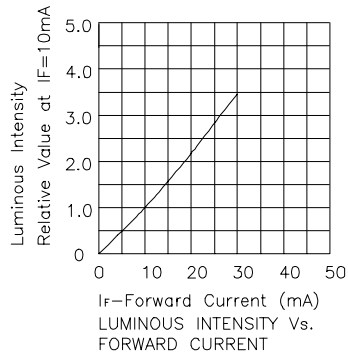
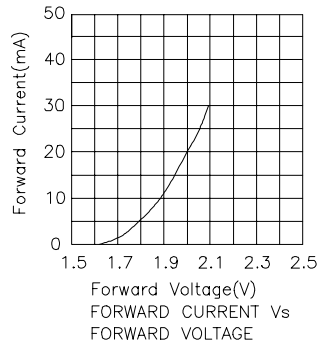
- 1/10 Duty Cycle, 0.1ms Pulse Width.
2. 4mm below package base.



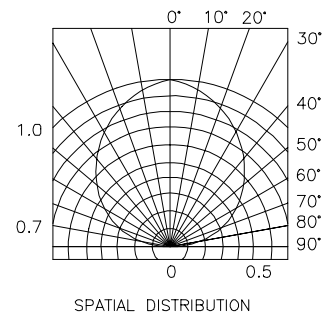
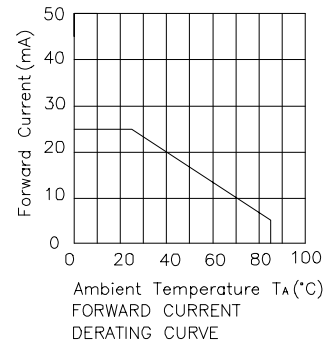
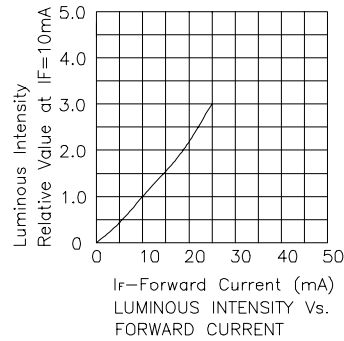
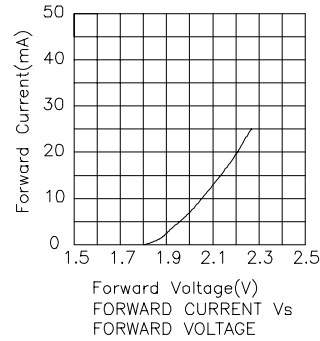
Bright Red



High Efficiency Red



Green



Yellow

