

### Features

- Compact and light weight.
- Excellent vibration resistance and shock resistance.
- Stable temperature characteristics.

### Applications

- Car audio

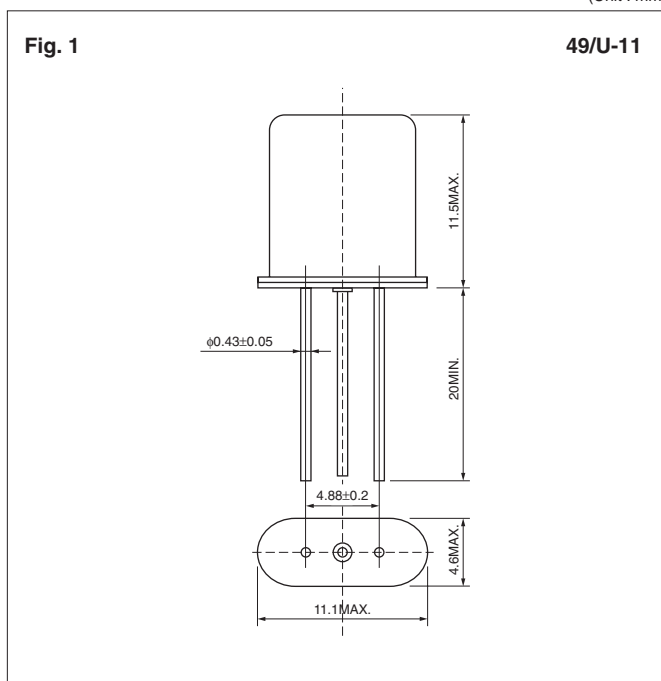
\*Pb Free and RoHS conformance planned on Jan. 2005.

## Specifications

Type	Number of inner units	Pass Bandwidth		Ripple	Insertion Loss	Stop Bandwidth		Terminating Impedance	Operating Temp. Range	Outline
		dB	kHz	dB MAX	dB MAX	dB	kHz MAX	$\Omega/\mu\text{F}$	$^{\circ}\text{C}$	
MXF10.7-6A	1	3	$\pm(2.5\sim 3.5)$	1	1.5	30	55	1.5k//3	-40~+85	Fig.1
MXF10.7-6AL	1	3	$\pm(2.5\sim 3.5)$	1	3	30	55	1.5k//3	-40~+85	Fig.2
MXF10.7-7.5A	1	3	$\pm 3.75$ MIN	0.5	1.5	20	$\pm 18$	1.8k//5	-40~+85	Fig.1
MXF10.7-7.5AL	1	3	$\pm 3.75$ MIN	0.5	3	20	$\pm 18$	1.8k//5	-40~+85	Fig.2
MXF10.8-6A	1	3	$\pm(2.5\sim 3.5)$	1	1.5	30	55	1.5k//3	-40~+85	Fig.1
MXF10.8-6AL	1	3	$\pm(2.5\sim 3.5)$	1	3	30	55	1.5k//3	-40~+85	Fig.2
MXF10.8-16AL	1	3	$\pm(7.5\sim 8.5)$	1	3	20	55	2.2k//2.5	-40~+85	Fig.2

## Dimensions

(Unit : mm)



(Unit : mm)

