

Ph Free

RoHS Conforming

Features

- Compact and low profile.(Height=1.3mm)
- Excellent vibration resistance and shock resistance.
- Designed for automatic mounting and reflow soldering.

Applications

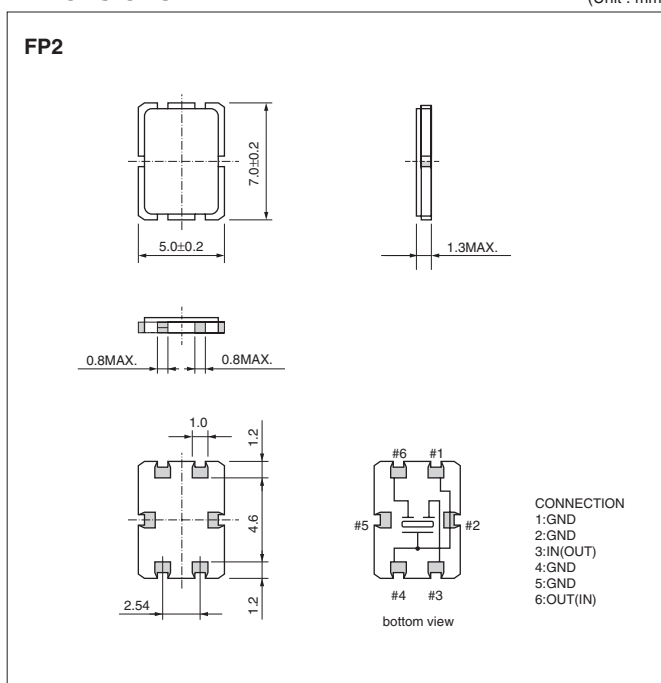
- Mobile communication

Specifications

Type	Number of inner units	Pass Bandwidth		Ripple	Insertion Loss	Stop Bandwidth		Terminating Impedance	Operating Temp.Range
		dB	kHz MIN	dB MAX	dB MAX	dB	kHz MAX	Ω //pF	$^{\circ}$ C
MXF21.4-15A-FP2	1	3	± 7.5	0.5	1.5	18	± 25	1.5k//2.5	-20~+70
MXF21.7-8A-FP2	1	3	± 3.5	1	2	16	± 12.5	1.5k//6	-20~+70
MXF45-15AF-FP2	1	3	± 7.5	1	2.5	14	± 25	550//3	-20~+70
MXF45-30AF-FP2	1	3	± 15	1	2	15	± 50	1.2k//1.5	-20~+70
MXF55-26AF-FP2	1	3	± 13	1	3	27	± 100	750//2.7	-20~+70

Dimensions

(Unit : mm)



Recommended Land Pattern

(Unit : mm)

