

**TOSHIBA**

# Discrete IGBTs

**PRODUCT GUIDE**

# 1. Features and Structure

- Low carrier accumulation, excellent frequency and switching characteristics
- Large forward-bias and reverse-bias safe operating areas (FBSOA and RBSOA), high damage resistance
- MOSFET-like high input impedance characteristics enable voltage drive

## ■ Features

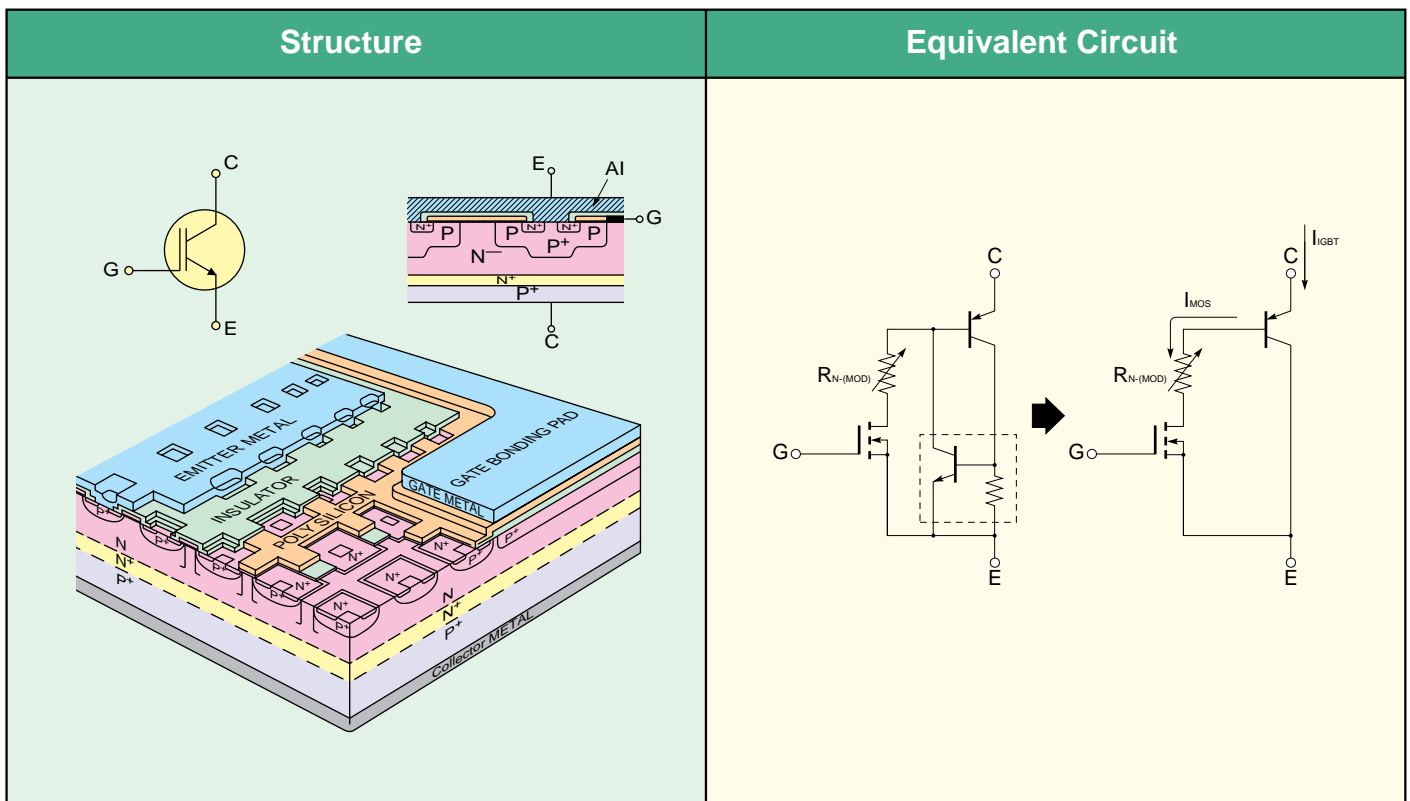
Rated at 1500 V and 80 A, Toshiba discrete insulated gate bipolar transistors (IGBTs) are excellent as power converters in such diverse applications as motor drives, uninterruptible power supply (UPS) units and induction heaters. Toshiba IGBTs help to make equipment efficient reliable and compact.

Some features of Toshiba IGBTs are:

- (1) High speeds
- (2) Low ON-voltage
- (3) High-efficiency diode
- (4) Enhancement-Mode
- (5) A variety of package types is available

## ■ Construction

Toshiba IGBTs have a basic four-layer structure with a P+ substrate (collector electrode) added to an N-channel MOSFET drain (N+ buffer). To avoid IGBT failure, the base of the PNP transistor is connected directly to the NPN transistor, thus minimizing circuit operation. This is shown in the equivalent circuit diagram below.



# 2. IGBT Engineering Advances

Power MOSFETs have long provided both high-speed and high-input impedance. However, various disadvantages such as increased resistance with increased breakdown voltage, as well as difficulties handling high breakdown voltages and high currents, are also associated with MOSFETs.

The cross-section of the IGBT on the previous page shows how IGBT resistance is reduced by injecting holes into the  $N^-$  layer from the  $P^+$  substrate to change the conductivity.

Toshiba have miniaturized unit cells and optimized wafers to decrease  $V_{CE(sat)}$  switching loss. The following data demonstrates the progress made thus far:

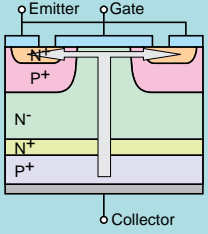
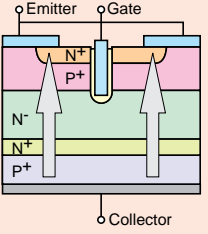
2.5th-generation IGBTs ( $V_{CE(sat)} = 2.5V$  Type)

3rd-generation IGBTs ( $V_{CE(sat)} = 2.3V$  Type)

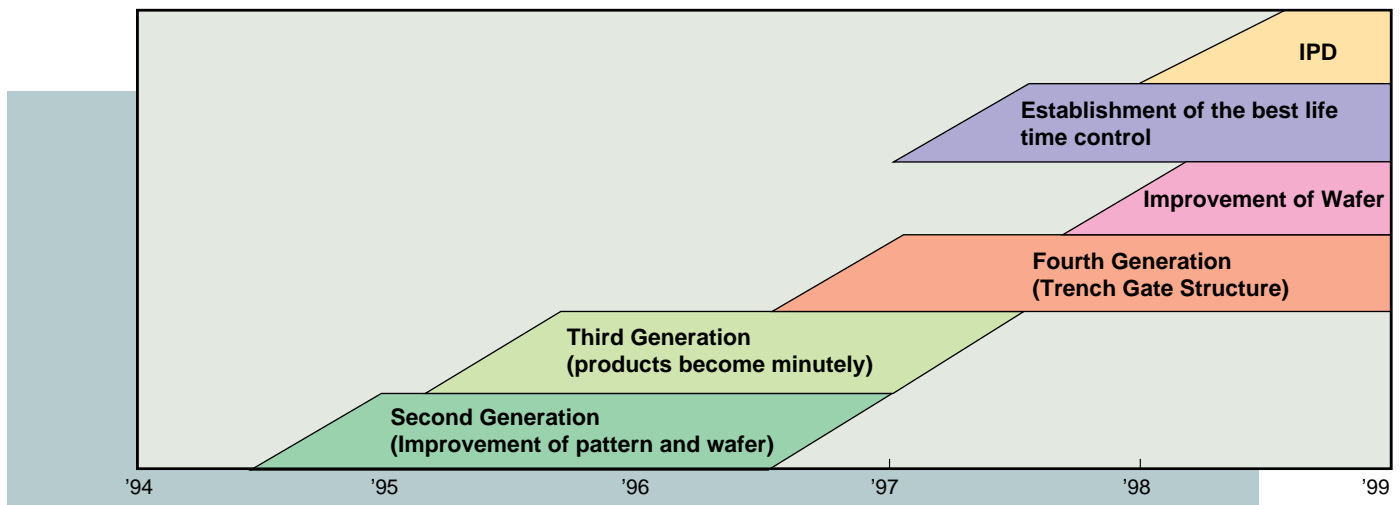
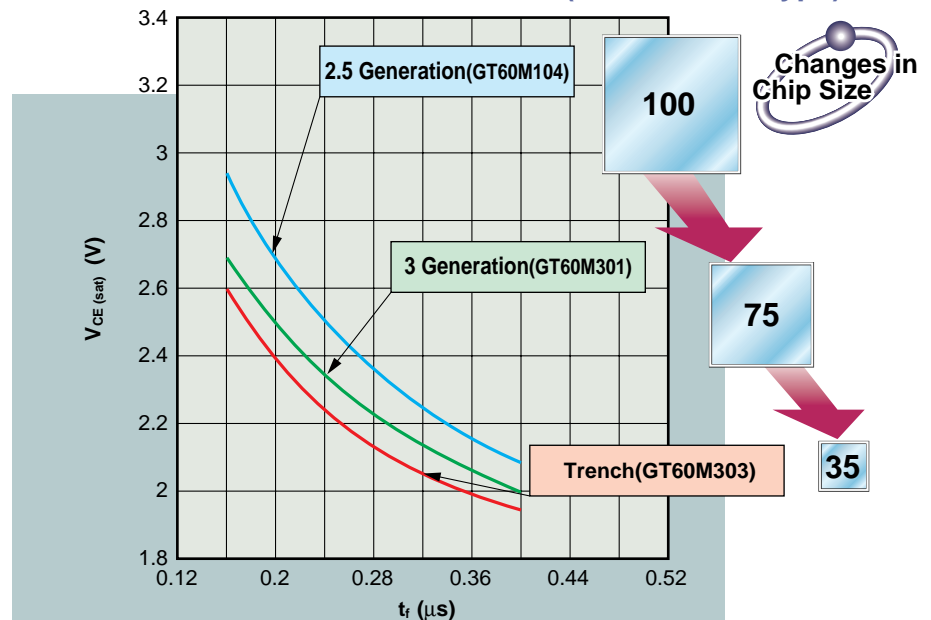
Trench IGBTs ( $V_{CE(sat)} = 2.1V$  Type)

In addition to wafer optimization, Toshiba are applying trench gater technology and developing improved lifetime control to optimize the  $V_{CE(sat)}$  versus switching speed trade-off.

Toshiba is also working on an intelligent power device (IPD) which uses other peripheral units such as driver circuits and protection circuits.

Gate Process		Plane		Trench
Generation		2.5 generation	3 generation	
Structure				
$V_{CE(sat)}$ (@ 600 V)		2.5 V Typ.	2.1 V Typ.	(1.6 V Typ.)
Cell Size	~900 V	1.00	0.43	0.06
	1200 V	1.00	0.75	—

## Trade-Off Characteristics Evolution ( $V_{CES} = 900$ V Type)



# 3. Discrete IGBT Line-up

## IGBTs for industrial Inverters

Collector-Emitter Voltage $V_{CES}(V)$	Collector Current $I_c(A)$							
	50A	30A	25A	20A	15A	10A	8A	5A
600V	<ul style="list-style-type: none"> <li>●GT50J301★</li> <li>●GT50J102</li> </ul>	<ul style="list-style-type: none"> <li>□GT30J301★</li> <li>□GT30J101</li> <li>△GT30J311★</li> </ul>	<ul style="list-style-type: none"> <li>□GT25J101</li> <li>◎GT25J102</li> </ul>	<ul style="list-style-type: none"> <li>□GT20J301★</li> <li>□GT20J101</li> <li>△GT20J311★</li> </ul>	<ul style="list-style-type: none"> <li>◆GT15J301★</li> <li>○GT15J311★</li> <li>□GT15J101</li> <li>◆GT15J102</li> <li>○GT15J103</li> </ul>	<ul style="list-style-type: none"> <li>□GT10J301★</li> <li>△GT10J311★</li> <li>◆GT10J303★</li> <li>○GT10J312★</li> </ul>	<ul style="list-style-type: none"> <li>◆GT8J101</li> <li>○GT8J102</li> </ul>	<ul style="list-style-type: none"> <li>◆GT5J301★</li> <li>○GT5J311★</li> </ul>
1200V			<ul style="list-style-type: none"> <li>●GT25Q301★</li> <li>●GT25Q101</li> <li>●GT25Q102</li> </ul>		<ul style="list-style-type: none"> <li>□GT15Q301★</li> <li>□GT15Q101</li> <li>□GT15Q102</li> <li>△GT15Q311★</li> </ul>	<ul style="list-style-type: none"> <li>□GT10Q301★</li> <li>□GT10Q101</li> </ul>	<ul style="list-style-type: none"> <li>□GT8Q101</li> <li>○GT8Q102</li> </ul>	

## IGBTs for microwave ovens, rice cookers and induction heaters

Collector Current $I_c(A)$	Collector-Emitter Voltage $V_{CES}(A)$			
	1500V	900V (1000V)	600V	400V
80A			●GT80J101A	
60A		<ul style="list-style-type: none"> <li>●(GT60N321★)</li> <li>●GT60M303★</li> <li>●GT60M302★</li> <li>●GT60M301★</li> <li>●GT60M104</li> </ul>		
50A			●GT50J322★	●GT50G321★
40A	<ul style="list-style-type: none"> <li>●GT40T301★</li> <li>●GT40T101</li> </ul>	<ul style="list-style-type: none"> <li>●GT40M301★</li> <li>◎GT40M101</li> </ul>		◇GT40G121
30A			◎GT30J322★	
15A		◎GT15M321★		

Built-in FRD ★

Under development

- TO-3P(LH)
- TO-3P(N)
- ◎ TO-3P(N)IS
- △ TO-3PSM
- ◆ TO-220(NIS)
- TO-220 FL/SM
- ◇ TO-220AB
- DP

## IGBTs for strobes

Collector Peak Current $I_{cp}(A)$	Gate Drive minimum Voltage $V_{GE}(V)$			
	4V	4.5V	12V	20V
170A				<ul style="list-style-type: none"> <li>○GT25G101</li> <li>◆GT15G101</li> </ul>
150A	■GT8G121	■GT8G103	○GT25G102	
130A		■GT5G103	<ul style="list-style-type: none"> <li>■GT5G102</li> <li>○GT20G102</li> </ul>	<ul style="list-style-type: none"> <li>◆GT10G101</li> <li>○GT20G101</li> </ul>

# 4. Product Number Format

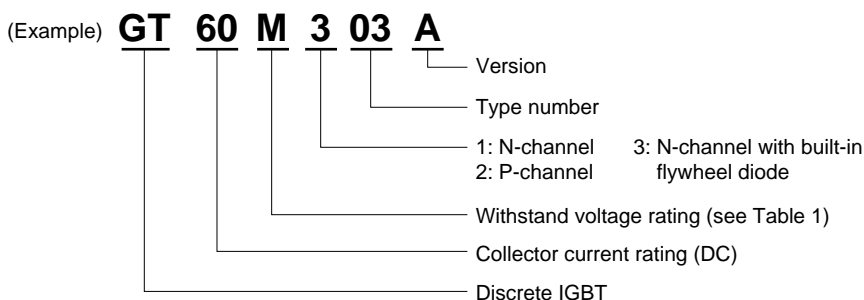


Table 1

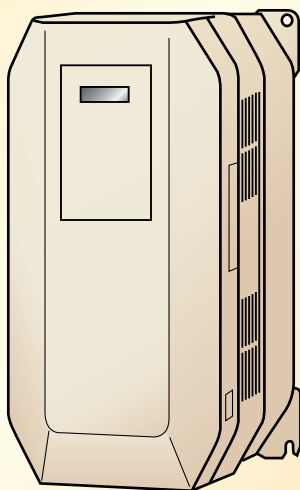
Mark	Voltage (V)	Mark	Voltage (V)
C	150	M	900
D	200	N	1000
E	250	P	1100
F	300	Q	1200
G	400	R	1300
H	500	S	1400
J	600	T	1500
K	700	U	1600
L	800	V	1700

# 5. Characteristics

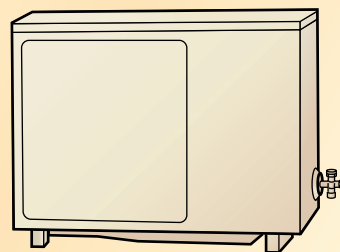
## 1. Industrial Inverters

Discrete IGBTs are used in a wide range of high-frequency switching applications, ranging from industrial inverters to home appliances.

General-Purpose Inverters



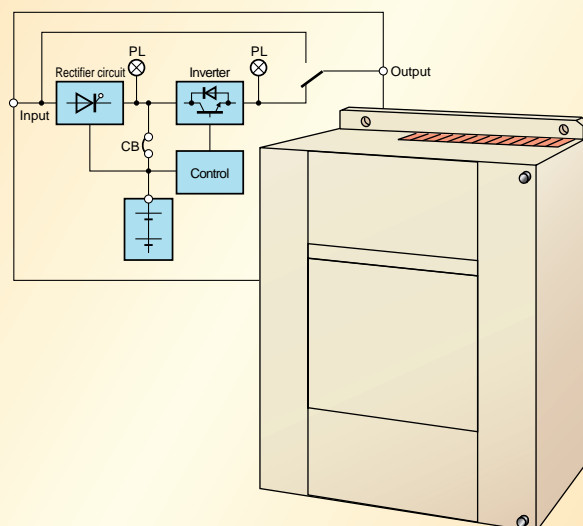
Inverter Air Conditioners



Inverter Washing Machines



UPS



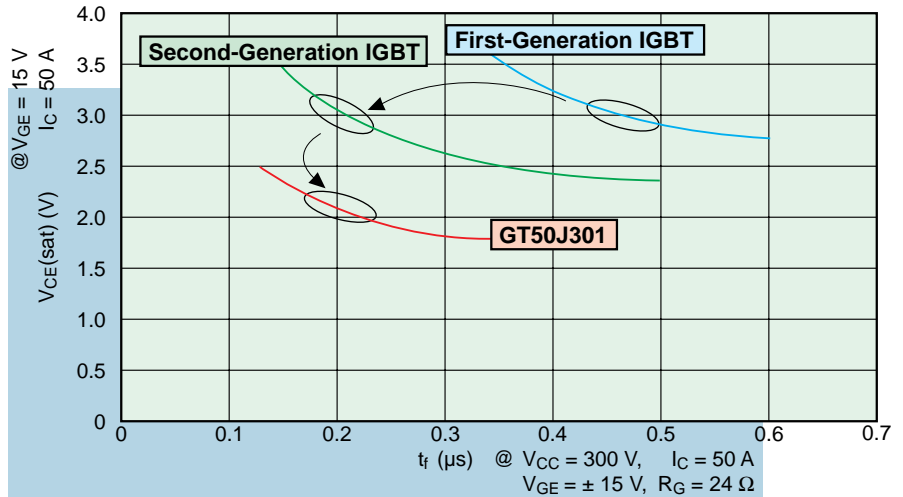
## Characteristics

The following section discusses the characteristics of third-generation IGBTs which are used for high-speed switching. The GT50J301, whose characteristic values are typical of those for this class of IGBT, is used as a benchmark for comparison.

### Low $V_{CE(sat)}$

A miniaturization process reduces the  $V_{CE(sat)}$  level and the amount of heat generated during operation.

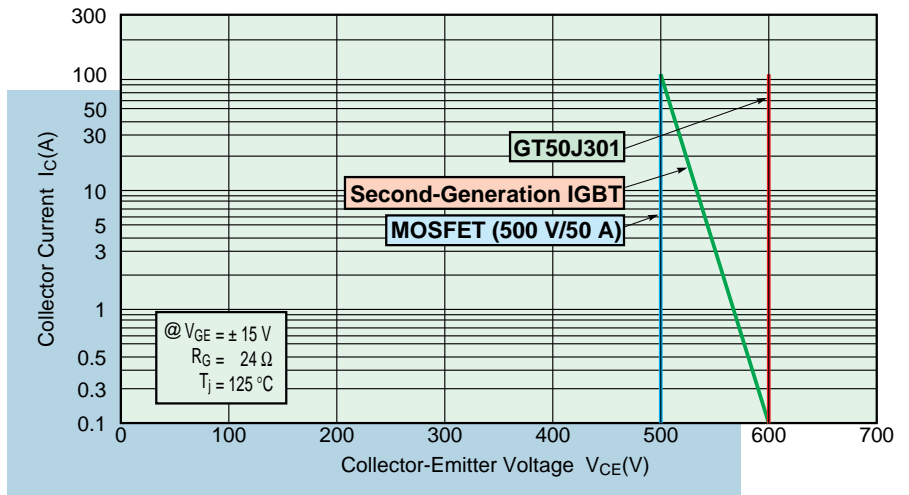
#### ● $V_{CE(sat)}$ vs. $t_f$ Trade-off



### Wide R.B.S.O.A

Third-generation IGBTs are guaranteed to have a wide reverse-bias safe operating area (RBSOA). This counters the effect of surge voltages which can occur during switching.

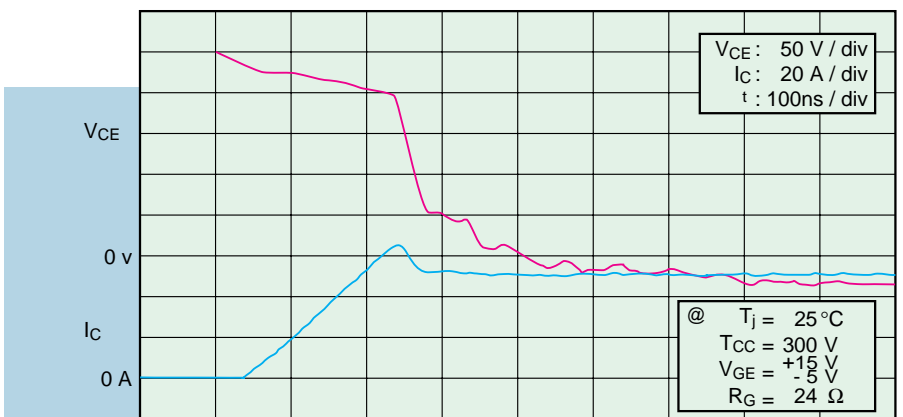
#### ● Reverse-Bias Safe Operating Area



### Low Noise & Low $t_{rr}$

A built-in diode provides fast and smooth reverse recovery (time) while generating less noise and heat.

#### ● Turn-on Waveform



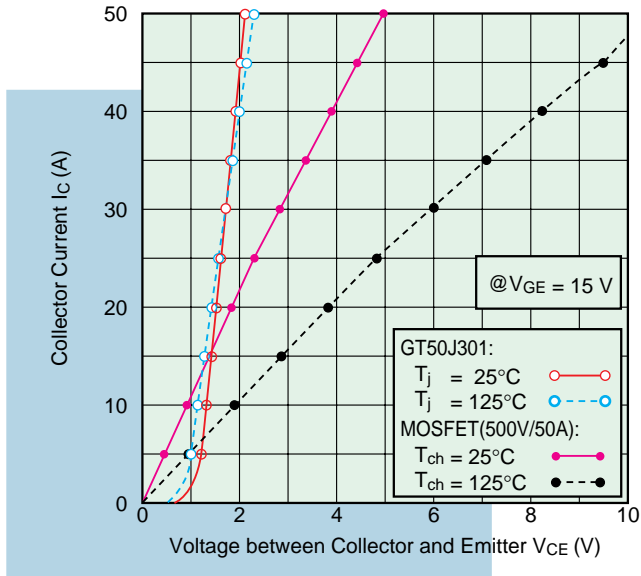
# Characteristics

As shown below, third-generation IGBT is low-loss and low-noise when it use for inverter applications because of high-speed switching time, Low-saturation voltage and high-efficiency diodes.

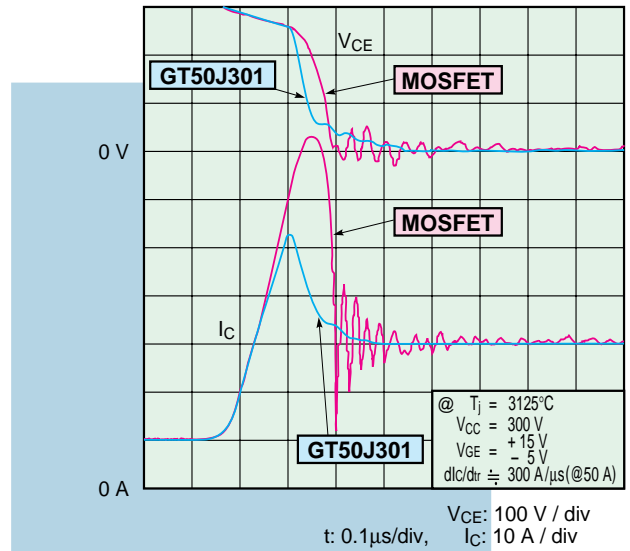
Saturation voltage does not rise, even at high temperatures.

The internal diode recovers smoothly. Surging is minimized.

## ● Ic - VCE

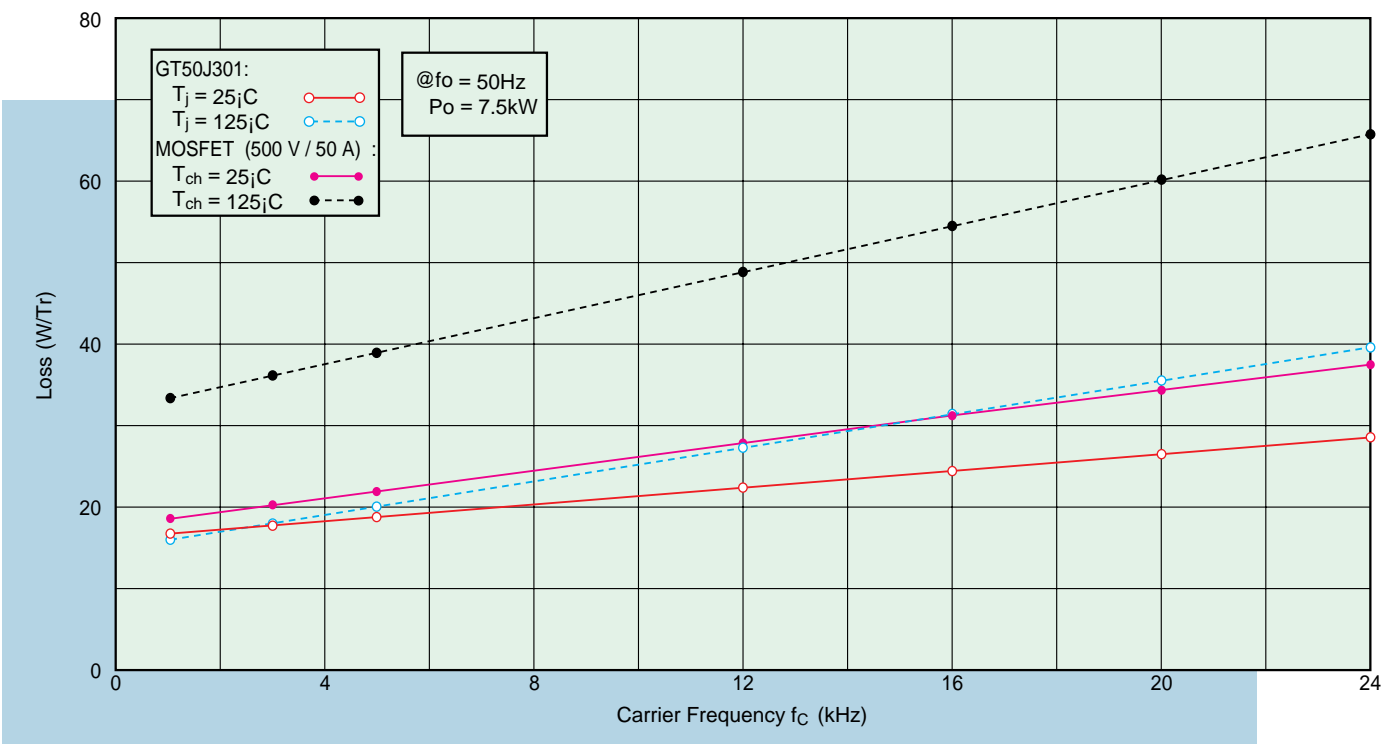


## ● Turn-on waveform



## Simulation data of inverter application

### ● Power loss- $f_c$



## ● Second-Generation IGBTs

Product No.	V <sub>CES</sub> (V)	I <sub>c</sub> (A)	P <sub>C</sub> (W)	V <sub>CE(sat)</sub> max	(V)	t <sub>r</sub> (s) max	Internal FRD	Package	Remarks
					I <sub>c</sub> (A)				
GT8J101	600	8	30	4	8	0.35	—	TO-220(NIS)	
GT8J102		8	50		8			TO-220SM	
GT15J101		15	100		15			TO-3P(N)	
GT15J102		15	35		15			TO-220SM	
GT15J103		15	70		15			TO-220SM	
GT25J101		25	150		25			TO-3P(N)	
GT25J102	25	80	25	TO-3P(N)IS					
GT8Q101	1200	8	100		8	0.50	—	TO-3P(N)	
GT8Q102		8	50		8			TO-220SM	
GT15Q101		15	150		15			TO-3P(N)	
GT25Q101		25	200		25			TO-3P(L)	

## ● Third-Generation IGBTs with Built-in FRDs, V<sub>CES</sub>=600V

High capability to withstand breakdown voltage. The line will also include surface-mount devices which enable miniaturization of equipment.

Product No.	V <sub>CES</sub> (V)	I <sub>c</sub> (A)	P <sub>C</sub> (W)	V <sub>CE(sat)</sub> max	(V)	t <sub>r</sub> (s) max	Package	Remarks
					I <sub>c</sub> (A)			
GT5J311	600	5	50	2.7	5	0.30	TO-220SM	Built-in FRD
GT5J301		5	25		5		TO-220(NIS)	
GT10J303		10	30		10		TO-220(NIS)	
GT10J312		10	60		10		TO-220SM	
GT10J301		10	90		10		TO-3P (N)	
GT10J311		10	80		10		TO-3P (SM)	
GT15J301		15	35		15		TO-220(NIS)	
GT15J311		15	70		15		TO-220SM	
GT20J301		20	130		20		TO-3P (N)	
GT20J311		20	120		20		TO-3P (SM)	
GT30J301		30	155		30		TO-3P (N)	
GT30J311		30	145		30		TO-3P (SM)	
GT50J301		50	200		50		TO-3P (LH)	

## ● Third-Generation IGBTs without Built-in FRDs, V<sub>CES</sub>=600V

Product No.	V <sub>CES</sub> (V)	I <sub>c</sub> (A)	P <sub>C</sub> (W)	V <sub>CE(sat)</sub> max	(V)	t <sub>r</sub> (s) max	Package	Remarks
					I <sub>c</sub> (A)			
*GT20J101	600	20	130	2.7	20	0.30	TO-3P (N)	Under development
*GT30J101		30	155		30		TO-3P (N)	
GT50J102		50	200		50		TO-3P (LH)	

## ● Third-Generation IGBTs with Built-in FRDs, V<sub>CES</sub>=1200V

Product No.	V <sub>CES</sub> (V)	I <sub>c</sub> (A)	P <sub>C</sub> (W)	V <sub>CE(sat)</sub> max	(V)	t <sub>r</sub> (s) max	Package	Remarks
					I <sub>c</sub> (A)			
GT10Q301	1200	10	140	2.7	10	0.32	TO-3P (N)	New Products
GT15Q301		15	170		15		TO-3P (N)	
GT15Q311		15	160		15		TO-3P (SM)	
GT25Q301		25	200		25		TO-3P (LH)	

## ● Third-Generation IGBTs without Built-in FRDs, V<sub>CES</sub>=1200V

Product No.	V <sub>CES</sub> (V)	I <sub>c</sub> (A)	P <sub>C</sub> (W)	V <sub>CE(sat)</sub> max	(V)	t <sub>r</sub> (s) max	Package	Remarks
					I <sub>c</sub> (A)			
*GT10Q101	1200	10	140	2.7	10	0.32	TO-3P (N)	Under development
*GT15Q102		15	170		15		TO-3P (N)	
*GT25Q102		25	200		25		TO-3P (LH)	

\*: Under development



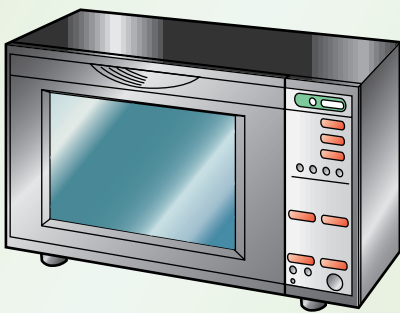
# Characteristics

## 2. Microwave Ovens, Rice Cookers and Induction Heaters

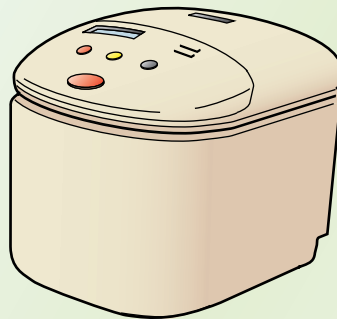
Soft-switching circuits (current and voltage resonance type) that exhibit low switching loss are used in applications such as induction heaters (IHs) and IH rice cookers and microwave ovens.

Toshiba offers a line of IGBTs with optimally low  $V_{CE(sat)}$  and high switching speed which are especially suited to soft-switching circuits.

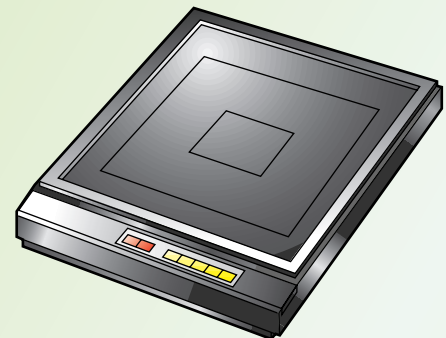
Microwave Ovens



IH Rice Cookers



Induction Heaters



AC Input Voltage	Circuit	IGBT Rating	
100 V to 120 V	<b>Voltage Resonance</b> 	<b>Waveform</b> 	$V_{CES} = 900 \text{ V to } 1000 \text{ V}$ $I_C = 15 \text{ A to } 60 \text{ A}$
			$V_{CES} = 1500 \text{ V}$ $I_C = 40 \text{ A}$
200 V to 240 V	<b>Current Resonance</b> 	<b>Waveform</b> 	$V_{CES} = 400 \text{ V to } 600 \text{ V}$ $I_C = 30 \text{ A to } 80 \text{ A}$

## ● IGBTs and Diodes for Voltage Resonance Circuits (with soft switching)

### IGBT

AC Input Voltage	Device	$V_{CES}/I_C$	FRD	$t_f$ (s) max	$V_{CE(sat)}$ max	$V_{GE}/I_C$ (V)		Package	Remarks
						$V_{GE}/I_C$	$V_{GE}/I_C$		
100 V to 120 V	GT15M321	900 V / 15 A	○	0.4	2.5	15 V / 15 A		TO-3P(N)IS	New products
	GT40M101	900 V / 40 A		0.4	3.4	15 V / 40 A		TO-3P(N)IS	
	GT40M301	900 V / 40 A	○	0.4	3.4	15 V / 40 A		TO-3P (LH)	
	GT60M301	900 V / 60 A	○	0.4	3.4	15 V / 60 A		TO-3P (LH)	
	GT60M302	900 V / 60 A	○	0.37	3.3	15 V / 60 A		TO-3P (LH)	
	GT60M303	900 V / 60 A	○	0.4	2.7	15 V / 60 A		TO-3P (LH)	
	GT60N321	1000 V / 60 A	○	0.4	2.8	15 V / 60 A		TO-3P (LH)	New products
200 V to 240 V	GT40T101	1500 V / 40 A		0.4	5.0	15 V / 40 A		TO-3P (LH)	
	GT40T301	1500 V / 40 A	○	0.4	5.0	15 V / 40 A		TO-3P (LH)	New products

### High-Speed Rectifiers (FRDs)

AC Input Voltage	Device	$V_{RRM}/I_{FSM}$	$C_j$ (pF) typ.	$t_f$ (s) max	$V_{FM}$ max	$V_{FM}$ (V)		Package	Remarks
						$I_F$	$I_F$		
100 V to 120 V	S5J12	900 V / 120 A	30	3.0	2.0	15 A		TO-220(N)IS	
200 V to 240 V	S5J25	1500 V / 120 A	75	3.0	2.5	30 A		TO-3P (N)	
	S5J53	1500 V / 120 A	75	2.0	2.5	30 A		TO-220(N)IS	
100 V to 240 V	S5783F	900 V / 250 A	60	3.5	1.6	60 A		TO-3P(N)IS	

## ● IGBTs and Diodes for Current Resonance Circuits (with soft switching)

### IGBT

AC Input Voltage	Device	$V_{CES}/I_C$	FRD	$t_f$ (s) max	$V_{CE(sat)}$ max	$V_{GE}/I_C$ (V)		Package	Remarks
						$V_{GE}/I_C$	$V_{GE}/I_C$		
200 V to 240 V	GT80J101A	600 V / 80 A		0.40	3.0	15 V / 80 A		TO-3P (LH)	
	GT50G321	400 V / 50 A	○	0.40	2.5	15 V / 60 A		TO-3P (LH)	New products
	GT50J102	600 V / 50 A		0.30	2.7	15 V / 50 A		TO-3P (LH)	
	GT50J301	600 V / 50 A	○	0.30	2.7	15 V / 50 A		TO-3P (LH)	
	GT50J322	600 V / 50 A	○	0.40	2.8	15 V / 50 A		TO-3P (LH)	
	GT40G121	400 V / 40 A		0.40	2.5	15 V / 60 A		TO-220AB	New products
	GT30J322	600 V / 30 A	○	0.40	2.8	15 V / 50 A		TO-3P(N)IS	

### High-Efficiency Diodes (HEDs)

AC Input Voltage	Device	$V_{RRM}/I_{FSM}$	$C_j$ (pF) typ.	$t_{rr}$ (ns) max	$V_{FM}$ max	$V_{FM}$ (V)		Package	Remarks
						$I_F$	$I_F$		
200 V to 240 V	20JL2C41	600 V / *100 A	*50	*50	*2.0	*10 A		TO-3P (N)	
	30JL2C41	600 V / *150 A	*70	*50	*2.0	*15 A		TO-3P (N)	

\* Rating indicates only for a single stack device.

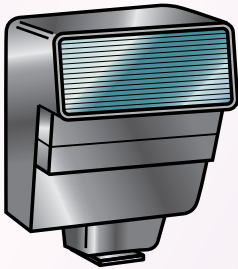
# Characteristics

## 3. Strobes

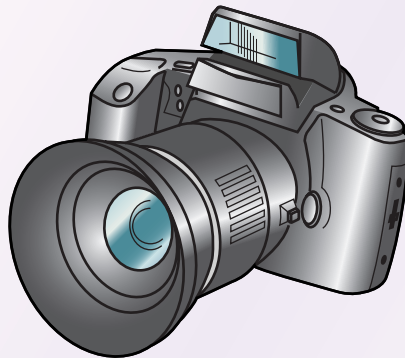
Thyristors previously used in strobe control circuits are today increasingly being replaced by IGBTs which have the following advantages.

- As a voltage-controlled device, the IGBT requires few drive circuit components.
- The small circuits possible with IGBTs fit compactly into small camera bodies.
- Strobe flash IGBTs are capable of switching large currents.

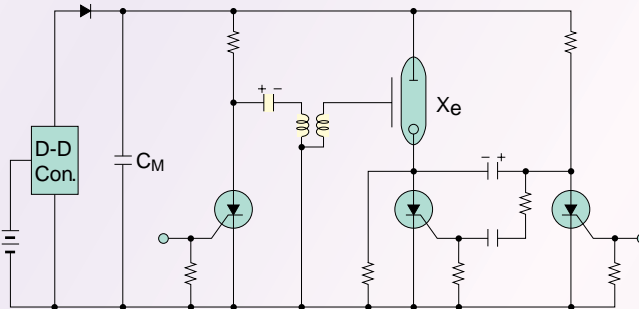
Dedicated Strobe



Single-Lens Reflex Camera

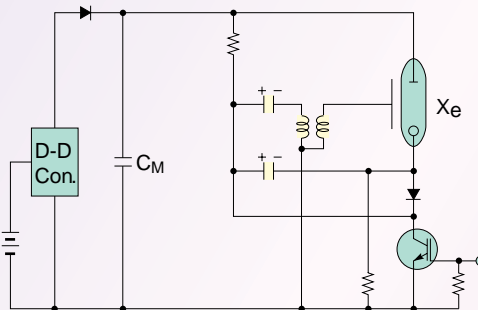


Compact Camera



Thyristors

Replacing thyristors with an IGBT simplifies the circuit and reduces parts count.



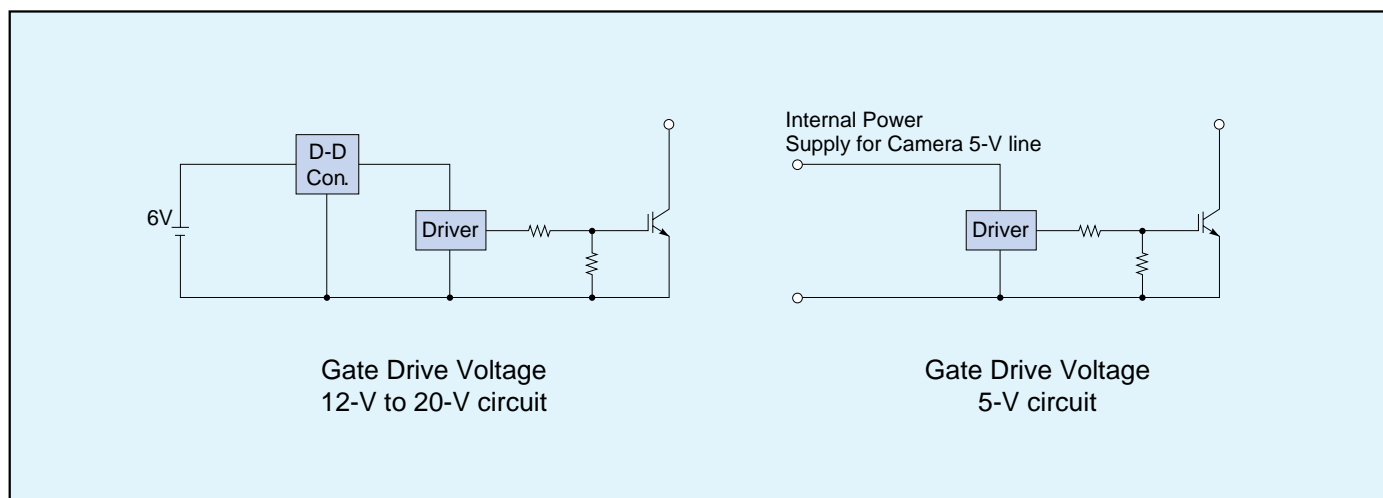
IGBT

## ● 4-V to 4.5 V Gate Drive Series

The IGBT can be operated using a 4-5-V gate drive voltage.

A gate drive power supply can be used as the common 5-V internal power supply in a camera, enabling the power supply circuitry to be simplified.

To protect against insulator layer of the gates, zener diodes are included between the gate and emitter.



Product No.	$V_{CES} / I_{CP}$	$V_{CE(sat)}$ max	(V)		$P_c$ (W)	Package	Remarks
			$V_{GE} / I_c$				
GT5G103	400 V / 130 A	8	4.5 V / 130 A		20	DP	
GT8G103	400 V / 150 A	8	4.5 V / 150 A		20	DP	
GT8G121	400 V / 150 A	7	4.0 V / 150 A		20	DP	

## ● 12-V Gate Drive Series

Product No.	$V_{CES} / I_{CP}$	$V_{CE(sat)}$ max	(V)		$P_c$ (W)	Package	Remarks
			$V_{GE} / I_c$				
GT5G102	400 V / 130 A	8	12 V / 130 A		20	DP	
GT20G102	400 V / 130 A	8	12 V / 130 A		60	TO-220FL	
GT25G102	400 V / 150 A	8	12 V / 150 A		75	TO-220FL	

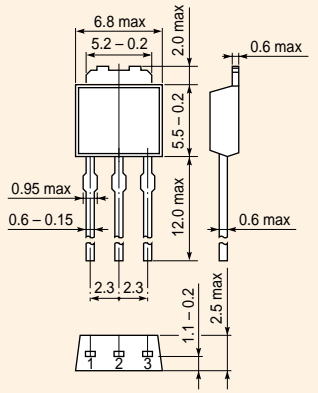
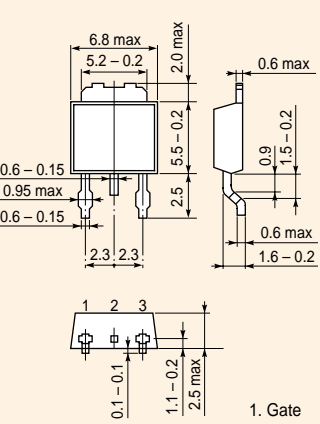
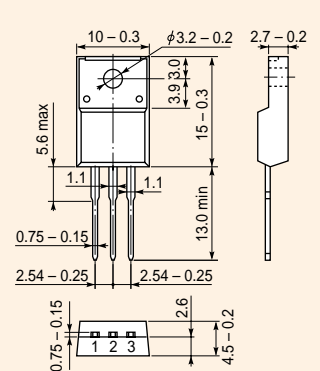
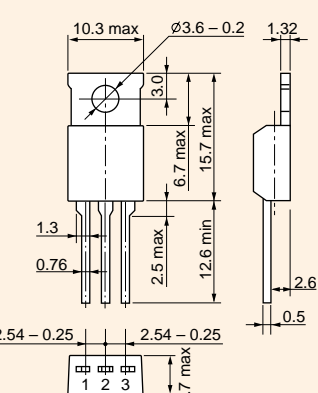
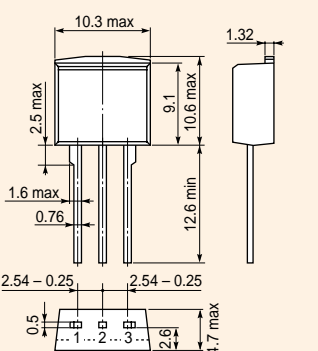
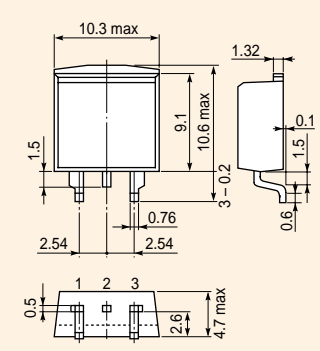
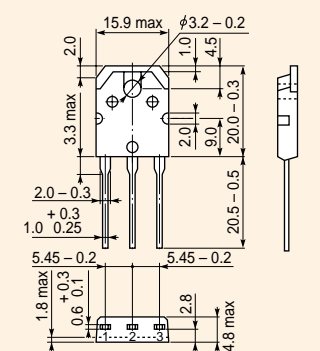
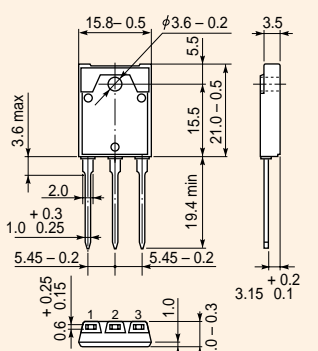
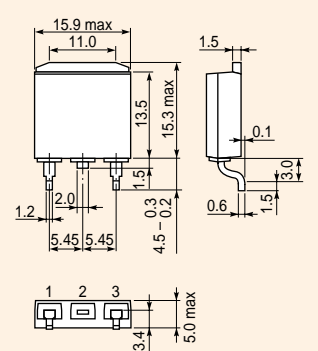
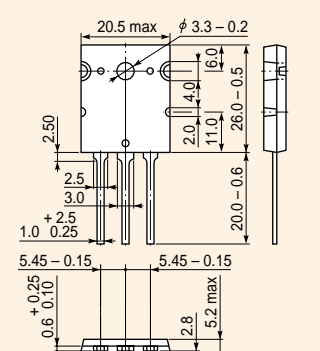
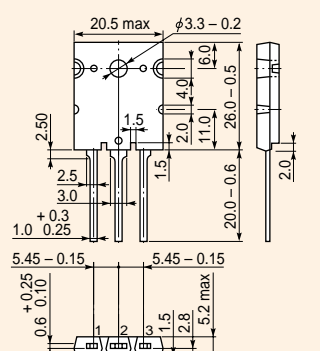
## ● 20-V Gate Drive Series

Product No.	$V_{CES} / I_{CP}$	$V_{CE(sat)}$ max	(V)		$P_c$ (W)	Package	Remarks
			$V_{GE} / I_c$				
GT10G101	400 V / 130 A	8	20 V / 130 A		30	TO-220(NIS)	
GT20G101	400 V / 130 A	8	20 V / 130 A		60	TO-220FL	
GT15G101	400 V / 170 A	8	20 V / 170 A		40	TO-220(NIS)	
GT25G101	400 V / 170 A	8	20 V / 170 A		60	TO-220FL	

# 6.

## Package Dimensions

unit: mm

DP (Straight Lead)	DP (Lead Forming)	TO-220 (NIS)	TO-220AB
 <p>1. Gate 2. Collector 3. Emitter</p>	 <p>1. Gate 2. Collector 3. Emitter</p>	 <p>1. Gate 2. Collector 3. Emitter</p>	 <p>1. Gate 2. Collector 3. Emitter</p>
TO-220FL	TO-220SM	TO-3P (N)	TO-3P (N) IS
 <p>1. Gate 2. Collector 3. Emitter</p>	 <p>1. Gate 2. Collector 3. Emitter</p>	 <p>1. Gate 2. Collector 3. Emitter</p>	 <p>1. Gate 2. Collector 3. Emitter</p>
TO-3P (SM)	TO-3P (L)	TO-3P (LH)	
 <p>1. Gate 2. Collector 3. Emitter</p>	 <p>1. Gate 2. Collector 3. Emitter</p>	 <p>1. Gate 2. Collector 3. Emitter</p>	

# 7.

## Final-phase and Discontinued Products

The following products are in stock but are being phased out of production. Substitute products are shown which can be used in their place.

Product No.	Electrical Characteristics				Package	Substitute Product	Electrical Characteristics				Package
	V <sub>CES</sub> (V)	I <sub>C</sub> (A)	V <sub>CE(sat)</sub> (V) max	t <sub>f</sub> (s) max			V <sub>CES</sub> (V)	I <sub>C</sub> (A)	V <sub>CE(sat)</sub> (V) max	t <sub>f</sub> (s) max	
GT5G101	400	130	8.0	1.70*	NPM	GT5G102	400	130	8.0	2.00*	DP
GT8G101	400	130	8.0	2.00*	NPM	GT5G103	400	130	8.0	2.00*	DP
GT8G102	400	150	8.0	2.00*	NPM	GT8G121	400	150	8.0	2.00*	DP
GT8N101	1000	8	4.0	1.00	TO-3P (N)	GT8Q101	1200	8	4.0	0.50	TO-3P (N)
GT15N101	1000	15	4.0	1.00	TO-3P (N)	GT15Q101	1200	15	4.0	0.50	TO-3P (N)
GT25H101	500	25	4.0	1.00	TO-3P (N)	GT25J101	600	25	4.0	0.35	TO-3P (N)
GT50G101	400	100	8.0	3.00	TO-3P (N)	GT10G101	400	130	8.0	6.00	TO-220 (NIS)
GT50G102	400	100	8.0	3.00	TO-3P (N)	GT10G101	400	130	8.0	6.00	TO-220 (NIS)
GT50J101	600	50	4.0	3.35	TO-3P (L)	GT50J102	600	50	2.7	0.30	TO-3P (LH)
GT50L101	800	50	4.0	0.70	TO-3P (L)	GT60M303	900	60	3.4	0.40	TO-3P (LH)
GT50M101	900	50	5.0	0.40	TO-3P (LH)	GT60M303	900	60	3.4	0.40	TO-3P (LH)
GT50Q101	1200	50	4.0	0.50	IH Package	GT40T301	1500	40	5.0	0.40	TO-3P (LH)
GT50S101	1400	50	7.2	0.38	IH Package	GT40T301	1500	40	5.0	0.40	TO-3P (LH)
GT50T101	1500	50	5.5	0.40	IH Package	GT40T301	1500	40	5.0	0.40	TO-3P (LH)
GT60J101	600	60	4.0	0.35	TO-3P (L)	GT50J102	600	50	2.7	0.35	TO-3P (LH)
GT60M101	900	60	4.0	0.70	TO-3P (LH)	GT60M303	900	60	3.4	0.40	TO-3P (LH)
GT60M102	900	60	3.8	0.40	TO-3P (L)	GT60M303	900	60	3.4	0.40	TO-3P (LH)
GT60M103	900	60	3.6	0.40	TO-3P (LH)	GT60M303	900	60	3.4	0.40	TO-3P (LH)
GT75G101	400	150	8.0	3.00	TO-3P (L)	GT15G101	400	170	8.0	6.00	TO-220 (NIS)

\*: Typical value

**Toshiba America  
Electronic Components, Inc.**

**Headquarters-Irvine, CA**  
9775 Toledo Way, Irvine, CA 92618, U.S.A.  
Tel: (949)455-2000 Fax: (949)859-3963

**Boulder, CO**  
3100 Arapahoe Avenue, Ste. 500,  
Boulder, CO 80303, U.S.A.  
Tel: (303)442-3801 Fax: (303)442-7216

**Boynton Beach, FL(Orlando)**  
11924 W. Forest Hill Blvd., Ste. 22-337,  
Boynton Beach, FL 33414, U.S.A.  
Tel: (561)374-6193 Fax: (561)374-6194

**Deerfield, IL(Chicago)**  
One Pkwy., North, Suite 500, Deerfield,  
IL 60015-2547, U.S.A.  
Tel: (847)945-1500 Fax: (847)945-1044

**Duluth, GA(Atlanta)**  
3700 Crestwood Parkway, Ste. 460,  
Duluth, GA 30096, U.S.A.  
Tel: (770)931-3363 Fax: (770)931-7602

**Edison, NJ**  
2035 Lincoln Hwy. Ste. #3000, Edison  
NJ 08817, U.S.A.  
Tel: (732)248-8070 Fax: (732)248-8030

**Orange County, CA**  
2 Venture Plaza, #500 Irvine, CA 92618, U.S.A.  
Tel: (949)453-0224 Fax: (949)453-0125

**Portland, OR**  
1700 NW 167th Place, #240,  
Beaverton, OR 97006, U.S.A.  
Tel: (503)629-0818 Fax: (503)629-0827

**Richardson, TX(Dallas)**  
777 East Campbell Rd., Suite 650, Richardson,  
TX 75081, U.S.A.  
Tel: (972)480-0470 Fax: (972)235-4114

**San Jose Engineering Center, CA**  
1060 Rincon Circle, San Jose, CA 95131, U.S.A.  
Tel: (408)526-2400 Fax: (408)526-2410

**Wakefield, MA(Boston)**  
401 Edgewater Place, Suite #360, Wakefield,  
MA 01880-6229, U.S.A.  
Tel: (781)224-0074 Fax: (781)224-1095

**Toshiba Do Brasil S.A.**

**Electronic Components Div.**  
Estrada Dos Alvarengas, 5. 500-Bairro Alvarenga  
09850-550-Sao Bernardo do campo - SP  
Tel: (011)7689-7171 Fax: (011)7689-7189

**Toshiba Electronics Europe GmbH**

**Düsseldorf Head Office**  
Hansaallee 181, D-40549 Düsseldorf  
Germany  
Tel: (0211)5296-0 Fax: (0211)5296-400

**München Office**  
Büro München Hofmannstrasse 52,  
D-81378, München, Germany  
Tel: (089)748595-0 Fax: (089)748595-42

**Toshiba Electronics France SARL**  
Immeuble Robert Schumann 3 Rue de Rome,  
F-93561, Rosny-Sous-Bois, Cedex, France  
Tel: (1)48-12-48-12 Fax: (1)48-94-51-15

**Toshiba Electronics Italiana S.R.L.**  
Centro Direzionale Colleoni  
Palazzo Perseo Ingr. 2-Piano 6,  
Via Paracelso n.12,  
1-20041 Agrate Brianza Milan, Italy  
Tel: (039)68701 Fax:(039)6870205

**Toshiba Electronics España, S.A.**  
Parque Empresarial San Fernando Edificio Europa,  
1ª Planta, ES-28831 Madrid, Spain  
Tel: (91)660-6700 Fax:(91)660-6799

**Toshiba Electronics(UK) Limited**  
Riverside Way, Camberley Surrey,  
GU15 3YA, U.K.  
Tel: (01276)69-4600 Fax: (01276)69-4800

**Toshiba Electronics Scandinavia AB**  
Gustavslundsvägen 12, 2nd Floor  
S-161 15 Bromma, Sweden  
Tel: (08)704-0900 Fax: (08)80-8459

**Toshiba Electronics Asia  
(Singapore) Pte. Ltd.**

**Singapore Head Office**  
438B Alexandra Road, #06-08/12 Alexandra  
Technopark, Singapore 119968  
Tel: (278)5252 Fax: (271)5155

**Bangkok Office**  
135 Moo 5 Bangkadi Industrial Park, Tivanon Rd.,  
Bangkadi Amphur Muang Pathumthani, Bangkok, 12000,  
Thailand  
Tel: (02)501-1635 Fax: (02)501-1638

**Toshiba Electronics Trading  
(Malaysia)Sdn. Bhd.**

**Kuala Lumpur Head Office**  
Suite W1203, Wisma Consplant, No.2,  
Jalan SS 16/4, Subang Jaya, 47500 Petaling Jaya,  
Selangor Darul Ehsan, Malaysia  
Tel: (3)731-6311 Fax: (3)731-6307

**Penang Office**  
Suite 13-1, 13th Floor, Menard Penang Garden,  
42-A, Jalan Sultan Ahmad Shah,  
100 50 Penang, Malaysia  
Tel: 4-226-8523 Fax: 4-226-8515

**Toshiba Electronics Philippines, Inc.**

26th Floor, Citibank Tower, Valero Street, Makati,  
Manila, Philippines  
Tel: (02)750-5510 Fax: (02)750-5511

**Toshiba Electronics Asia, Ltd.**

**Hong Kong Head Office**  
Level 11, Top Glory Insurance Building, Grand Century  
Place, No.193, Prince Edward Road West,  
Mong Kok, Kowloon, Hong Kong  
Tel: 2375-6111 Fax: 2375-0969

**Beijing Office**  
Rm 714, Beijing Fortune Building,  
No.5 Dong San Huan Bei-Lu, Chao Yang District,  
Beijing, 100004, China  
Tel: (010)6590-8795 Fax: (010)6590-8791

**Chengdu Office**  
Unit F, 18th Floor, New Times Plaza, 42 Wenwu Road,  
Xinhua Avenue, Chengdu, 610017, China  
Tel: (028)675-1773 Fax: (028)675-1065

**Shenzhen Office**  
Rm 3010-3012, Office Tower Shun Hing Square,  
Di Wang Commercial Centre, 333 ShenNan  
East Road, Shenzhen, 518008, China  
Tel: (0755)246-1582 Fax: (0755)246-1581

**Toshiba Electronics Korea Corporation**

**Seoul Head Office**  
14/F, KEC B/D, 257-7 Yangjae-Dong,  
Seocho-ku, Seoul, Korea  
Tel: (02)589-4334 Fax: (02)589-4302

**Gumi Office**  
6/F, Ssangyong Investment Securities B/D,  
56 Songju-Dong, Gumi City  
Kyeongbuk, Korea  
Tel: (82)54-456-7613 Fax: (82)54-456-7617

**Toshiba Technology Development  
(Shanghai) Co., Ltd.**

23F, Shanghai Senmao International Building, 101  
Yin Cheng East Road, Pudong New Area, Shanghai,  
200120, China  
Tel: (021)6841-0666 Fax: (021)6841-5002

**Tsurong Xiamen Xiangyu Trading  
Co., Ltd.**

8N, Xiamen SEZ Bonded Goods Market Building,  
Xiamen, Fujian, 361006, China  
Tel: (0592)562-3798 Fax: (0592)562-3799

**Toshiba Electronics Taiwan  
Corporation**

**Taipei Head Office**  
17F, Union Enterprise Plaza Bldg. 109  
Min Sheng East Rd., Section 3, 0446 Taipei,  
Taiwan  
Tel: (02)514-9988 Fax: (02)514-7892

**Kaohsiung Office**  
16F-A, Chung-Cheng Bldg., Chung-Cheng 3Rd.,  
80027, Kaohsiung, Taiwan  
Tel: (07)222-0826 Fax: (07)223-0046

The information contained herein is subject to change without notice.

The information contained herein is presented only as a guide for the applications of our products. No responsibility is assumed by TOSHIBA for any infringements of patents or other rights of the third parties which may result from its use. No license is granted by implication or otherwise under any patent or patent rights of TOSHIBA or others.

TOSHIBA is continually working to improve the quality and reliability of its products. Nevertheless, semiconductor devices in general can malfunction or fail due to their inherent electrical sensitivity and vulnerability to physical stress. It is the responsibility of the buyer, when utilizing TOSHIBA products, to comply with the standards of safety in making a safe design for the entire system, and to avoid situations in which a malfunction or failure of such TOSHIBA products could cause loss of human life, bodily injury or damage to property. In developing your designs, please ensure that TOSHIBA products are used within specified operating ranges as set forth in the most recent TOSHIBA products specifications. Also, please keep in mind the precautions and conditions set forth in the "Handling Guide for Semiconductor Devices," or "TOSHIBA Semiconductor Reliability Handbook" etc..

The Toshiba products listed in this document are intended for usage in general electronics applications (computer, personal equipment, office equipment, measuring equipment, industrial robotics, domestic appliances, etc.). These Toshiba products are neither intended nor warranted for usage in equipment that requires extraordinarily high quality and/or reliability or a malfunction or failure of which may cause loss of human life or bodily injury ("Unintended Usage"). Unintended Usage include atomic energy control instruments, airplane or spaceship instruments, transportation instruments, traffic signal instruments, combustion control instruments, medical instruments, all types of safety devices, etc.. Unintended Usage of Toshiba products listed in this document shall be made at the customer's own risk.

In Touch with Tomorrow  
**TOSHIBA**

**TOSHIBA CORPORATION**  
**Electronic Devices Sales & Marketing Group**  
1-1, Shibaura 1-chome, Minato-ku, Tokyo, 105-8001, Japan  
Tel: (03)3457-3405 Fax: (03)5444-9431