



+1.2V to +3.6V, 0.1µA, 100Mbps, Single-/Dual-/Quad-Level Translators

General Description

The MAX13013/MAX13014/MAX3023 single-/dual-/quad-level translators provide the level shifting necessary to allow 100Mbps data transfer in a multivoltage system. Externally applied voltages, V_{CC} and V_L , set the logic levels on either side of the device. Logic signals present on the V_L side of the device appear as a higher voltage logic signal on the V_{CC} side of the device, and vice-versa.

The MAX13013 single-, the MAX13014 dual-, and the MAX3023 (UCSP™ package) quad-level translators feature an enable (EN) input. The MAX3023 (TSSOP package) quad-level translator features EN and \overline{EN} inputs. When disabled, each device places all inputs/outputs on both sides in tri-state and reduces the V_{CC} supply current to 0.03µA, and the V_L supply current to 0.1µA. These devices operate at a guaranteed 100Mbps data rate for $V_L > 1.8V$.

The MAX13013/MAX13014/MAX3023 accept a +1.65V to +3.6V V_{CC} voltage and a +1.2V to ($V_{CC} - 0.4V$) V_L voltage, making them ideal for data transfer between low-voltage ASICs/programmable logic devices (PLDs) and higher voltage systems. The MAX13013 is available in 3 x 2 UCSP and 6-pin SC70 packages. The MAX13014 is available in 3 x 3 UCSP and 8-pin SOT23 packages. The MAX3023 is available in 4 x 3 UCSP and 14-pin TSSOP packages. All devices operate over the extended -40°C to +85°C temperature range.

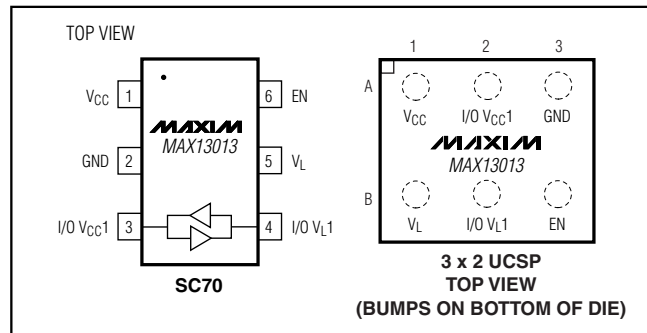
Applications

- CMOS Logic-Level Translation
- Low-Voltage ASIC Level Translation
- Cell Phones
- SPI™, MICROWIRE™ Level Translation
- Portable POS Systems
- Portable Communication Devices
- GPS
- Telecommunications Equipment

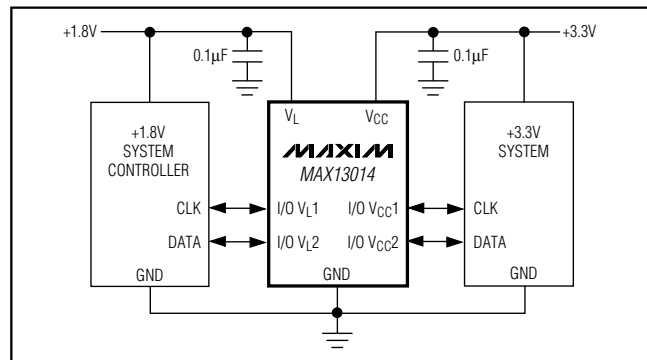
Features

- ◆ 100Mbps Guaranteed Data Rate
- ◆ Bidirectional Level Translation
 - MAX13013 (Single)
 - MAX13014 (Dual)
 - MAX3023 (Quad)
- ◆ V_L Operation Down to +1.2V
- ◆ Ultra-Low 0.1µA Supply Current When Disabled
- ◆ Low-Quiescent Current (0.1µA)
- ◆ UCSP, SC70, SOT23, and TSSOP Packages

Pin Configurations



Typical Operating Circuit



Ordering Information/Selector Guide

PART	TEMP RANGE	PIN-PACKAGE	PACKAGE CODE	TOP MARK	NUMBER OF $V_L \rightarrow V_{CC}$ TRANSLATORS	Number of $V_{CC} \rightarrow V_L$ TRANSLATORS	EN	\overline{EN}
MAX13013EXT	-40°C to +85°C	6 SC70	—	ACD	1	1	✓	—

MICROWIRE is a trademark of National Semiconductor Corp.
 SPI is a trademark of Motorola, Inc.
 UCSP is a trademark of Maxim Integrated Products, Inc.

Pin Configurations continued at end of data sheet.
 Ordering Information/Selector Guide continued at end of data sheet.



For pricing, delivery, and ordering information, please contact Maxim/Dallas Direct! at 1-888-629-4642, or visit Maxim's website at www.maxim-ic.com.

MAX13013/MAX13014/MAX3023

+1.2V to +3.6V, 0.1µA, 100Mbps, Single-/Dual-/Quad-Level Translators

ABSOLUTE MAXIMUM RATINGS

All voltages are referenced to GND.

V _{CC}	-0.3V to +4V
V _L	-0.3V to +4V
I/O V _{CC}	-0.3V to (V _{CC} + 0.3V)
I/O V _L	-0.3V to (V _L + 0.3V)
EN, $\overline{\text{EN}}$	-0.3V to (V _L + 0.3V)
Short-Circuit Duration I/O V _L , I/O V _{CC} to GND	Continuous
Continuous Power Dissipation (T _A = +70°C) 6-Pin SC70 (derate 3.1mW/°C above +70°C)	245mW

6-Bump UCSP (derate 3.9mW/°C above +70°C)	308mW
8-Bump UCSP (derate 4.7mW/°C above +70°C)	379mW
8-Pin SOT23 (derate 9.1mW/°C above +70°C)	727mW
12-Bump UCSP (derate 6.5mW/°C above +70°C)	518.8mW
14-Pin TSSOP (derate 9.1mW/°C above +70°C)	727mW
Operating Temperature Range	-40°C to +85°C
Junction Temperature	+150°C
Storage Temperature Range	-65°C to +150°C
Lead Temperature (soldering, 10s)	+300°C

Stresses beyond those listed under "Absolute Maximum Ratings" may cause permanent damage to the device. These are stress ratings only, and functional operation of the device at these or any other conditions beyond those indicated in the operational sections of the specifications is not implied. Exposure to absolute maximum rating conditions for extended periods may affect device reliability.

ELECTRICAL CHARACTERISTICS

(V_{CC} = +1.65V to +3.6V, V_L = +1.2V to (V_{CC} - 0.4V), EN = V_L, $\overline{\text{EN}}$ = open (MAX3023 TSSOP package only), C_{IOVL} ≤ 15pF, C_{IOVCC} ≤ 40pF, T_A = T_{MIN} to T_{MAX}. Typical values are at T_A = +25°C.) (Notes 1, 2)

PARAMETER	SYMBOL	CONDITIONS	MIN	TYP	MAX	UNITS
POWER SUPPLY						
V _L Supply Range	V _L		1.2	V _{CC} - 0.4		V
V _{CC} Supply Range	V _{CC}		1.65		3.60	V
Supply Current from V _{CC}	I _{QVCC}	I/O V _{CC} = 0, I/O V _L = 0 or I/O V _{CC} = V _{CC} , I/O V _L = V _L		0.1	1	µA
Supply Current from V _L	I _{QVL}	I/O V _{CC} = 0, I/O V _L = 0 or I/O V _{CC} = V _{CC} , I/O V _L = V _L		0.2	2	µA
		I/O V _{CC} = 0, I/O V _L = 0 or I/O V _{CC} = V _{CC} , I/O V _L = V _L , V _L < V _{CC} - 0.2V		10	100	
V _{CC} Tri-state Output-Mode Supply Current	I _{TS-VCC}	T _A = +25°C, EN = 0		0.03	1	µA
V _L Tri-state Output-Mode Supply Current (MAX13013/MAX13014)	I _{TS-VL}	T _A = +25°C, EN = 0		0.1	0.2	µA
		T _A = +25°C, EN = 0, V _L = V _{CC} - 0.2V		1	2	
V _L Tri-state Output-Mode Supply Current (MAX3023 TSSOP Package Only)	I _{TS-VL}	T _A = +25°C, EN = 0		50	70	µA
		T _A = +25°C, EN = 0, V _L = V _{CC} - 0.2V		55	74	
I/O Tri-state Output-Mode Leakage Current		T _A = +25°C, EN = 0			0.15	µA
		T _A = +25°C, EN = 0, V _L = V _{CC} - 0.2V			20	

+1.2V to +3.6V, 0.1μA, 100Mbps, Single-/Dual-/Quad-Level Translators

ELECTRICAL CHARACTERISTICS (continued)

($V_{CC} = +1.65V$ to $+3.6V$, $V_L = +1.2V$ to $(V_{CC} - 0.4V)$, $EN = V_L$, $\overline{EN} = \text{open}$ (MAX3023 TSSOP package only), $C_{IOVL} \leq 15pF$, $C_{IOVCC} \leq 40pF$, $T_A = T_{MIN}$ to T_{MAX} . Typical values are at $T_A = +25^\circ C$.) (Notes 1, 2)

PARAMETER	SYMBOL	CONDITIONS	MIN	TYP	MAX	UNITS
LOGIC-LEVEL THRESHOLDS						
I/O V_L Input-Voltage High	V_{IHL}		$2/3 \times V_L$			V
I/O V_L Input-Voltage Low	V_{ILL}			$1/3 \times V_L$		V
Pullup Resistance on I/O V_L			120			Ω
Pulldown Resistance on I/O V_L			75			Ω
I/O V_{CC} Input-Voltage High	V_{IHC}		$2/3 \times V_{CC}$			V
I/O V_{CC} Input-Voltage Low	V_{ILC}			$1/3 \times V_{CC}$		V
Pullup Resistance on I/O V_{CC}			2.5			$k\Omega$
Pulldown Resistance on I/O V_{CC}			2.5			$k\Omega$
EN, \overline{EN} Input-Voltage High	V_{IH}		$2/3 \times V_L$			V
EN, \overline{EN} Input-Voltage Low	V_{IL}			$1/3 \times V_L$		V
EN Input Current		MAX13013/MAX13014	-5		+5	μA
Pullup Resistance on EN		MAX3023	46	62	81	$k\Omega$
Pulldown Resistance on \overline{EN}		MAX3023, TSSOP package only	46	62	81	$k\Omega$
I/O V_L Output-Voltage High	V_{OHL}	I/O V_L source current = $20\mu A$	$2/3 \times V_L$			V
I/O V_L Output-Voltage Low	V_{OLL}	I/O V_L sink current = $20\mu A$		$1/3 \times V_L$		V
I/O V_{CC} Output-Voltage High	V_{OHC}	I/O V_{CC} source current = $20\mu A$	$2/3 \times V_{CC}$			V
I/O V_{CC} Output-Voltage Low	V_{OLC}	I/O V_{CC} sink current = $20\mu A$		$1/3 \times V_{CC}$		V

MAX13013/MAX13014/MAX3023

+1.2V to +3.6V, 0.1 μ A, 100Mbps, Single-/Dual-/Quad-Level Translators

TIMING CHARACTERISTICS

(V_{CC} = +1.65V to +3.6V, V_L = +1.2V to (V_{CC} - 0.4V), EN = V_L , \overline{EN} = open (MAX3023 TSSOP package only), C_{IOVCC} \leq 15pF, C_{IOVCC} \leq 40pF, T_A = T_{MIN} to T_{MAX} . Typical values are at T_A = +25°C.) (Notes 1, 2)

PARAMETER	SYMBOL	CONDITIONS	MIN	TYP	MAX	UNITS
I/O $V_{CC_}$ Rise Time	t_{RVCC}	C_{IOVCC} = 15pF, Figure 1			2.5	ns
		C_{IOVCC} = 20pF, Figure 1			3	
		C_{IOVCC} = 40pF, Figure 1			4	
I/O $V_{CC_}$ Fall Time	t_{FVCC}	C_{IOVCC} = 15pF, Figure 1			2.5	ns
		C_{IOVCC} = 20pF, Figure 1			3	
		C_{IOVCC} = 40pF, Figure 1			4	
I/O $V_{CC_}$ One-Shot Output Impedance					18.5	Ω
I/O $V_{L_}$ Rise Time	t_{RVL}	C_{IOVL} = 15pF, Figure 2			2.5	ns
I/O $V_{L_}$ Fall Time	t_{FVL}	C_{IOVL} = 15pF, Figure 2			2.5	ns
I/O $V_{L_}$ One-Shot Output Impedance					12.5	Ω
Propagation Delay, Driving I/O $V_{L_}$	I/O $_{VL-VCC}$	C_{IOVCC} = 15pF, Figure 1			6.5	ns
Propagation Delay, Driving I/O $V_{CC_}$	I/O $_{VCC-VL}$	C_{IOVL} = 15pF, Figure 2			6	ns
Part-to-Part Skew (Note 3)	t_{PPSKEW}	C_{IOVCC} = 15pF, C_{IOVL} = 15pF, V_{CC} = 2.5V, V_L = 1.8V			4	ns
Propagation Delay from I/O $V_{L_}$ to I/O $V_{CC_}$ after Enable	t_{EN-VCC}	C_{IOVCC} = 15pF, Figure 3			1000	ns
Propagation Delay from I/O $V_{CC_}$ to I/O $V_{L_}$ after Enable	t_{EN-VL}	C_{IOVL} = 15pF, Figure 4			1000	ns
Maximum Data Rate		C_{IOVCC} = 15pF, C_{IOVL} = 15pF, V_L > 1.8V	100			Mbps
		C_{IOVCC} = 15pF, C_{IOVL} = 15pF, V_L > 1.2V	80			

Note 1: V_L must be less than or equal to V_{CC} - 0.4V during normal operation. However, V_L can be greater than V_{CC} during startup and shutdown conditions.

Note 2: All units are 100% production tested at T_A = +25°C. Limits over the operating temperature range are guaranteed by design and not production tested.

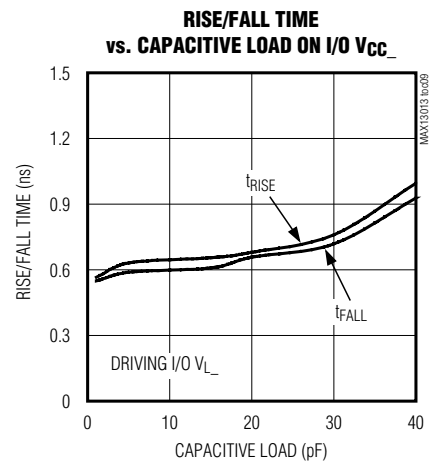
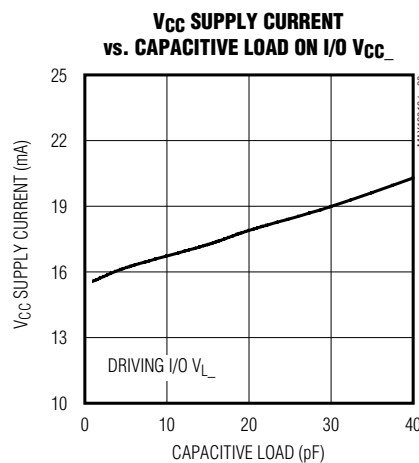
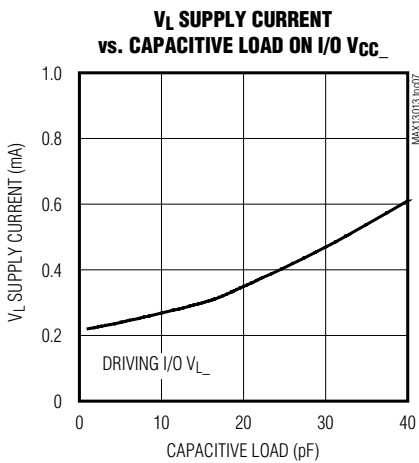
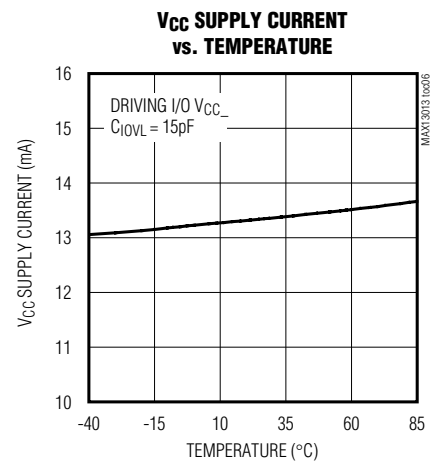
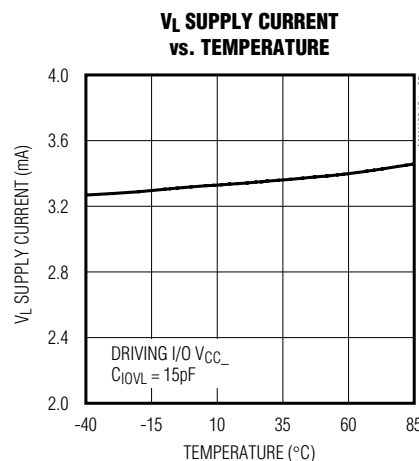
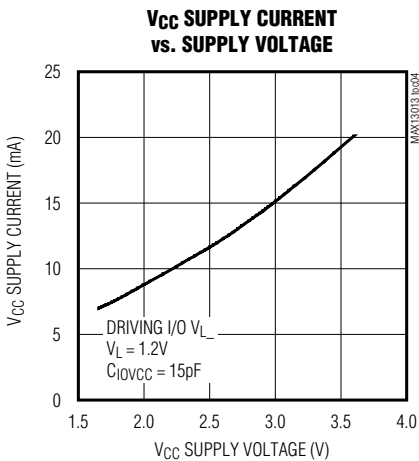
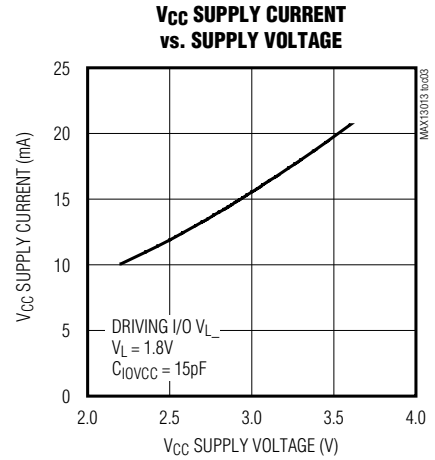
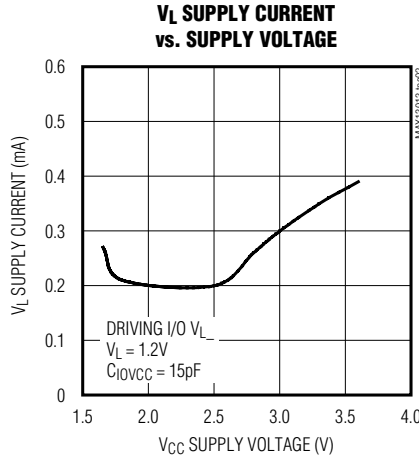
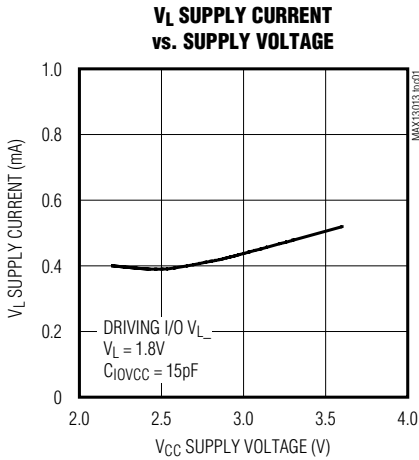
Note 3: Not production tested. Guaranteed by design.

+1.2V to +3.6V, 0.1μA, 100Mbps, Single-/Dual-/Quad-Level Translators

Typical Operating Characteristics

(Data rate = 100Mbps, $V_{CC} = 3.3V$, $V_L = 1.8V$, $T_A = +25^\circ C$, unless otherwise noted.)

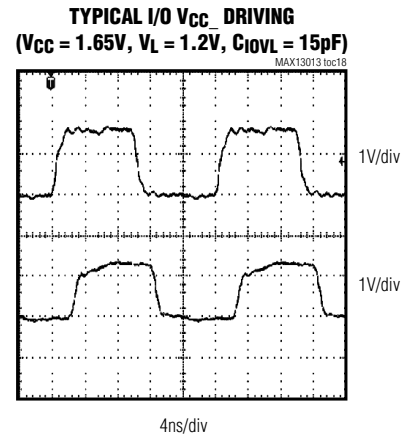
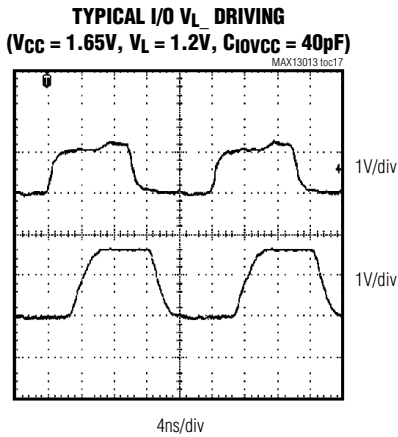
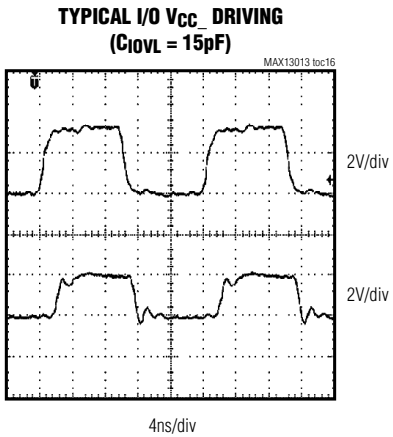
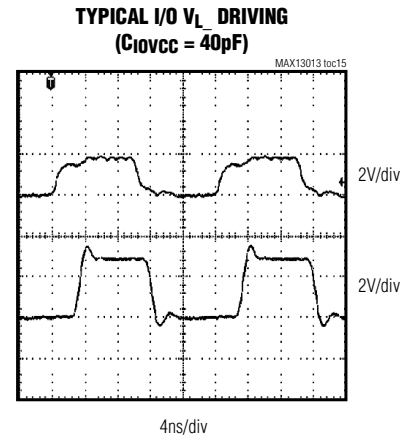
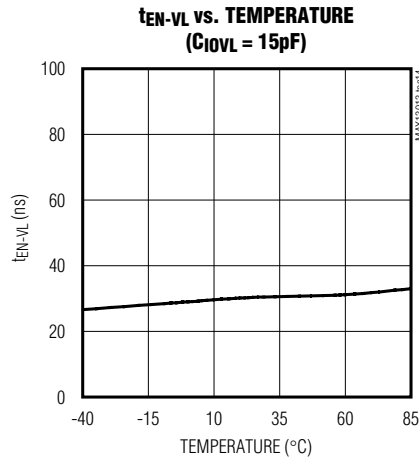
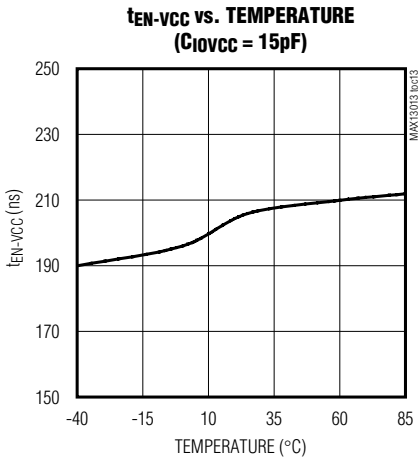
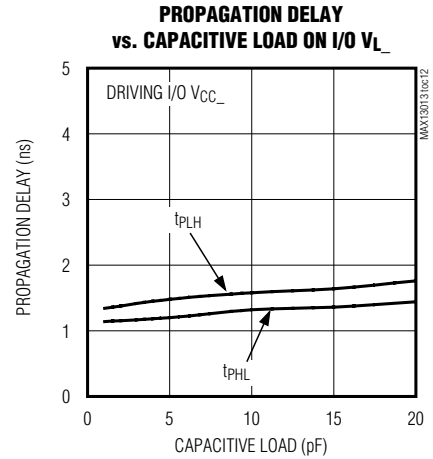
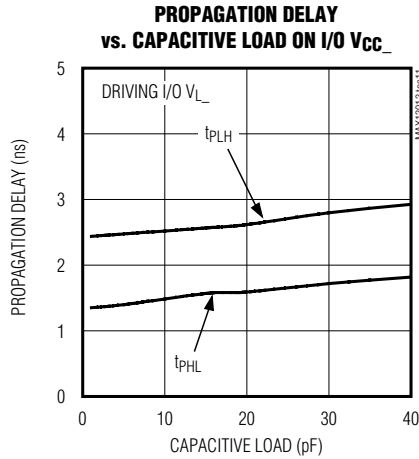
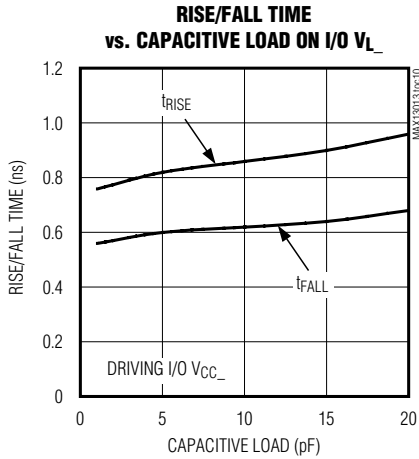
MAX13013/MAX13014/MAX3023



+1.2V to +3.6V, 0.1μA, 100Mbps, Single-/Dual-/Quad-Level Translators

Typical Operating Characteristics (continued)

(Data rate = 100Mbps, $V_{CC} = 3.3V$, $V_L = 1.8V$, $T_A = +25^\circ C$, unless otherwise noted.)



+1.2V to +3.6V, 0.1μA, 100Mbps, Single-/Dual-/Quad-Level Translators

Pin Description—MAX13013/MAX13014/ MAX3023 (Bidirectional Devices)

PIN						NAME	FUNCTION
MAX3023		MAX13013		MAX13014			
TSSOP	4 x 3 UCSP	SC70	3 x 2 UCSP	SOT23	3 x 3 UCSP		
1	A1	4	B2	7	A2	I/O V _{L1}	Input/Output 1, Referenced to V _L
2	B2	—	—	6	A3	I/O V _{L2}	Input/Output 2, Referenced to V _L
3	A2	5	B1	8	A1	V _L	V _L Input Voltage, +1.2V ≤ V _L ≤ V _{CC} - 0.4V. Bypass V _L to GND with a 0.1μF capacitor.
4	—	—	—	—	—	N.C.	No Connection
5	B3	—	—	—	—	I/O V _{L3}	Input/Output 3, Referenced to V _L
6	A3	—	—	—	—	I/O V _{L4}	Input/Output 4, Referenced to V _L
7	A4	6	B3	5	B1	EN	Active-High Enable Input. If EN is pulled low, all inputs/outputs are in tristate. Drive EN high (V _L) for normal operation.
8	—	—	—	—	—	$\overline{\text{EN}}$	Active-Low Enable Input. If $\overline{\text{EN}}$ is pulled high (V _L), all inputs/outputs are in tri-state. Drive $\overline{\text{EN}}$ low for normal operation (MAX3023 TSSOP package only).
9	B4	—	—	—	—	I/O V _{CC4}	Input/Output 4, Referenced to V _{CC}
10	C4	—	—	—	—	I/O V _{CC3}	Input/Output 3, Referenced to V _{CC}
11	C3	2	A3	4	B3	GND	Ground
12	C2	1	A1	1	C1	V _{CC}	V _{CC} Input Voltage, +1.65V ≤ V _{CC} ≤ +3.6V. Bypass V _{CC} to GND with a 0.1μF capacitor.
13	C1	—	—	3	C3	I/O V _{CC2}	Input/Output 2, Referenced to V _{CC}
14	B1	3	A2	2	C2	I/O V _{CC1}	Input/Output 1, Referenced to V _{CC}

MAX13013/MAX13014/MAX3023

+1.2V to +3.6V, 0.1µA, 100Mbps, Single-/Dual-/Quad-Level Translators

Test Circuits/Timing Diagrams

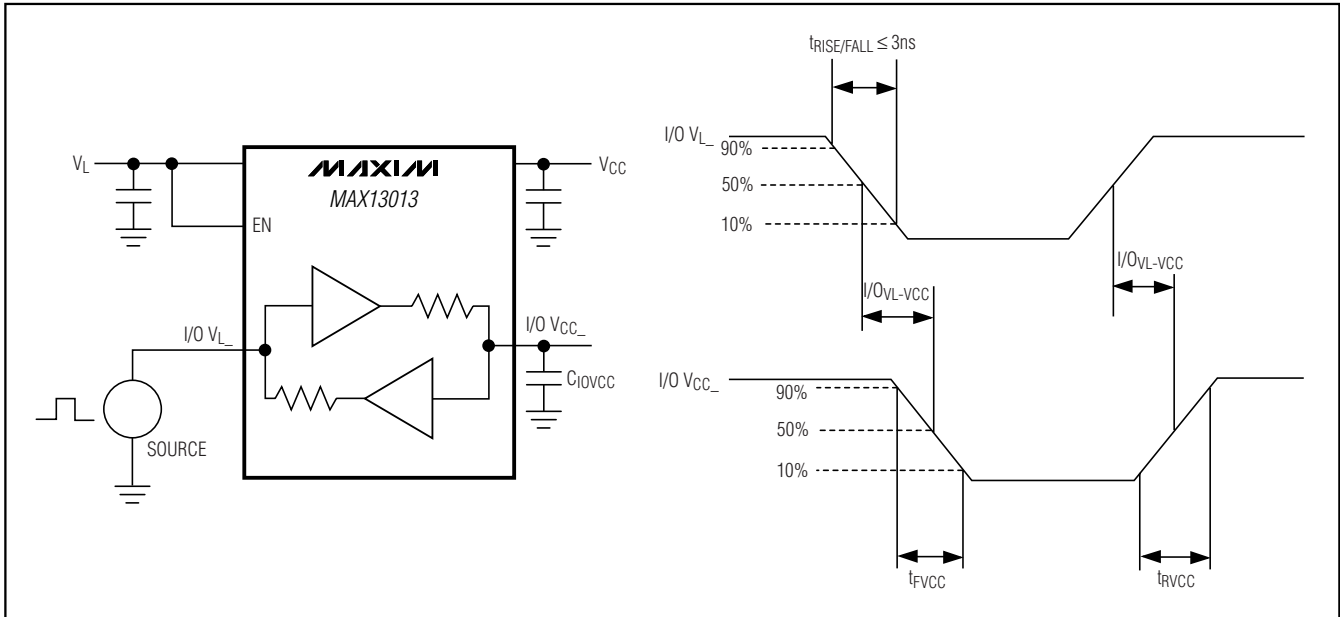


Figure 1. Driving I/O V_L_ Test Circuit and Timing

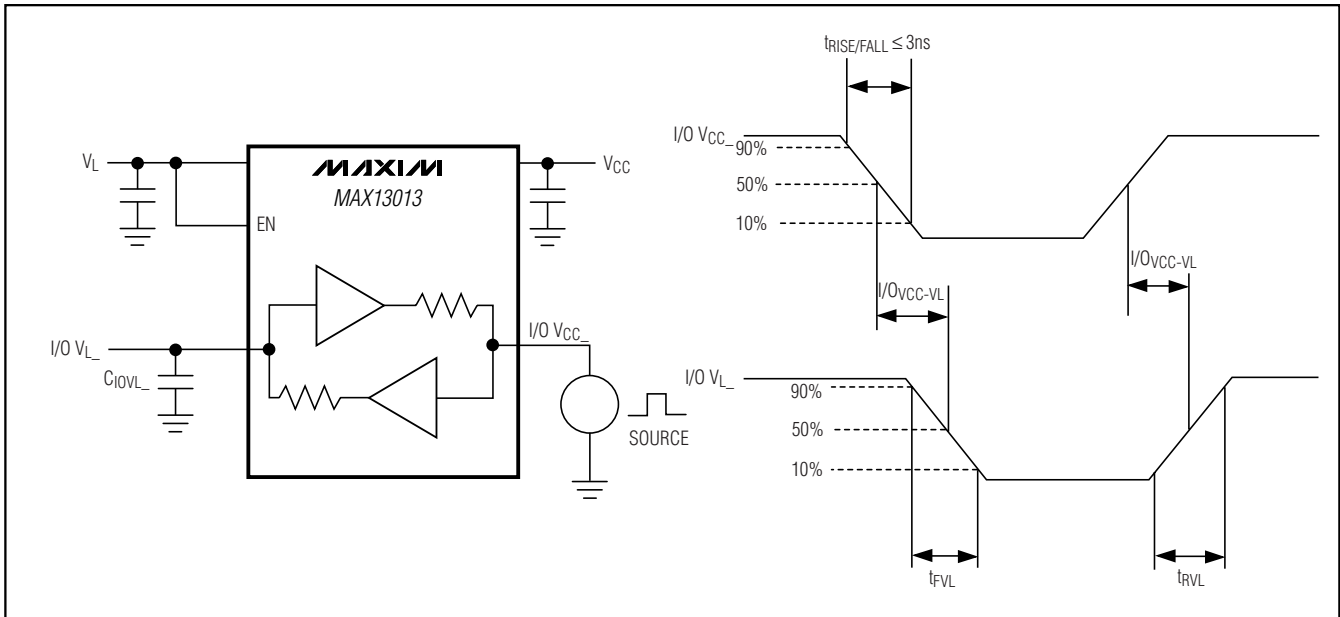


Figure 2. Driving I/O V_{CC}_ Test Circuit and Timing

+1.2V to +3.6V, 0.1µA, 100Mbps, Single-/Dual-/Quad-Level Translators

Test Circuits/Timing Diagrams (continued)

MAX13013/MAX13014/MAX3023

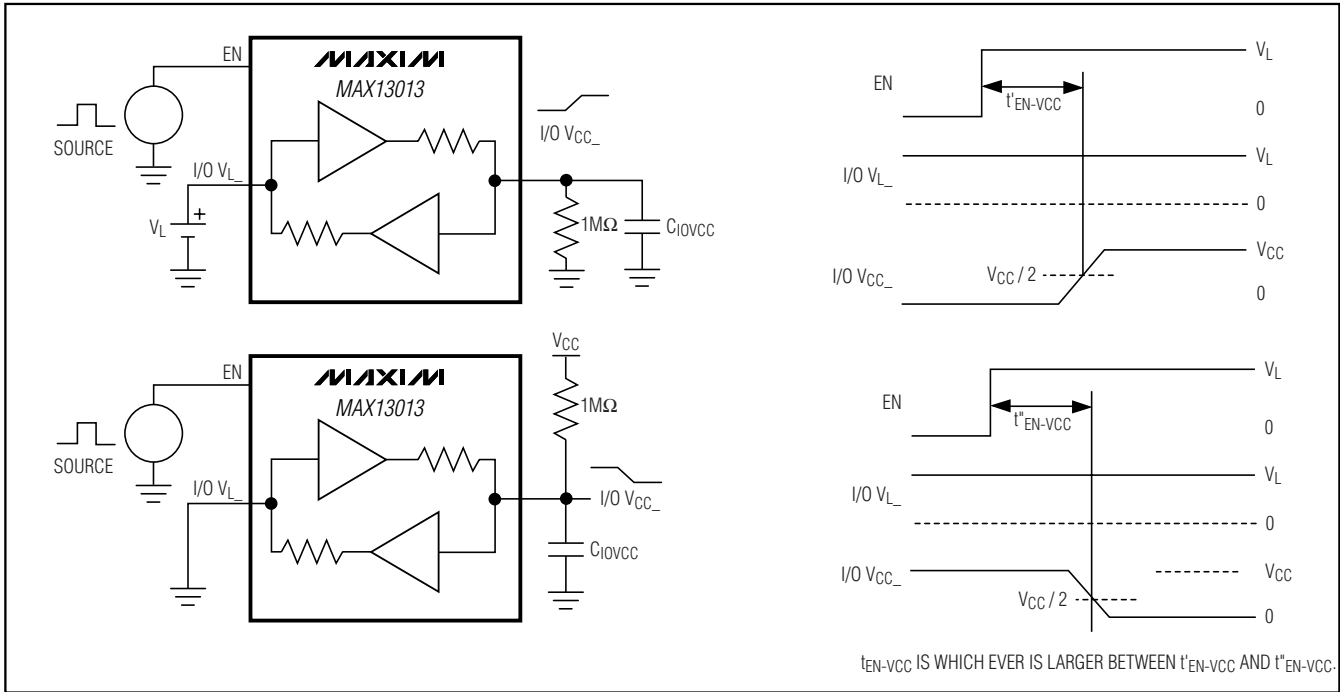


Figure 3. Propagation Delay from I/O VL₋ to I/O VCC₋ After EN

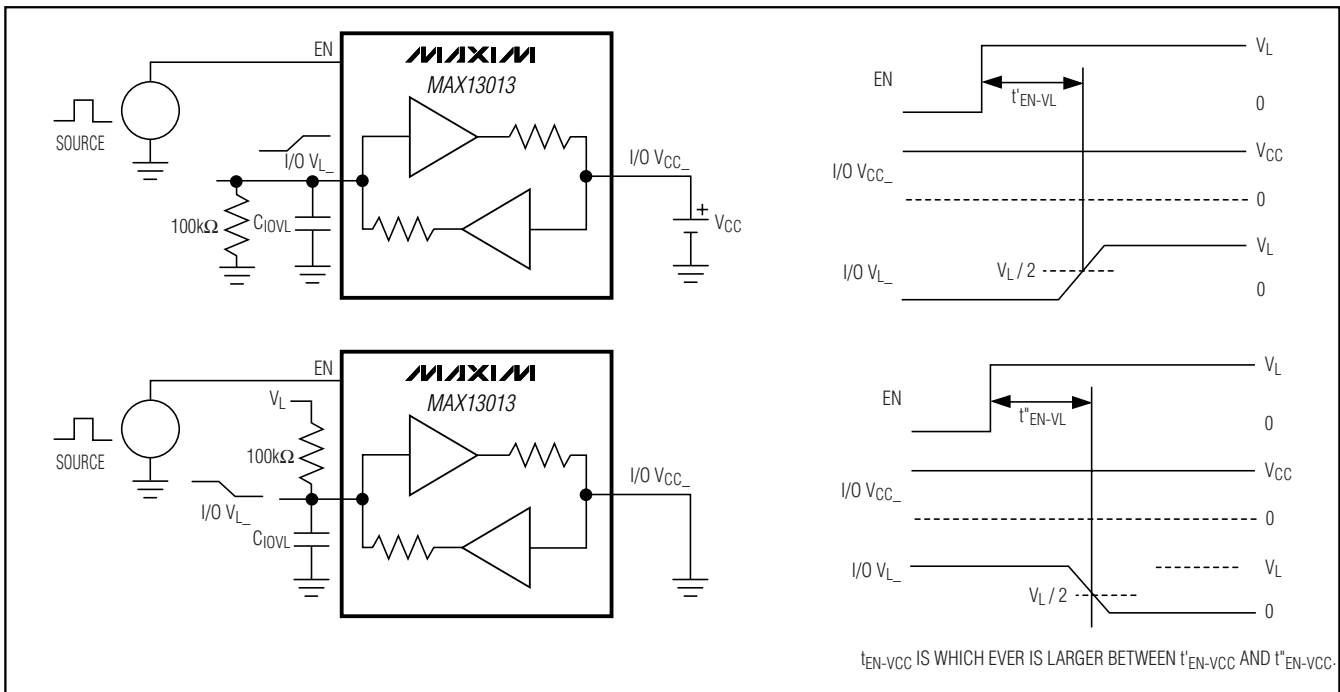


Figure 4. Propagation Delay from I/O VCC₋ to I/O VL₋ After EN

+1.2V to +3.6V, 0.1µA, 100Mbps, Single-/Dual-/Quad-Level Translators

Detailed Description

The MAX13013/MAX13014/MAX3023 logic-level translators provide the level shifting necessary to allow 100Mbps data transfer in a multivoltage system. Externally applied voltages, V_{CC} and V_L , set the logic levels on either side of the device. Logic signals present on the V_L side of the device appear as a higher-voltage logic signal on the V_{CC} side of the device, and vice-versa. The MAX13013/MAX13014/MAX3023 bidirectional level translators allow data translation in either direction ($V_L \leftrightarrow V_{CC}$) on any single data line. The MAX13013/MAX13014/MAX3023 accept V_L from +1.2V to ($V_{CC} - 0.4V$) and operate with V_{CC} from +1.65V to +3.6V, making them ideal for data transfer between low-voltage ASICs/PLDs and higher voltage systems.

When in tri-state mode, the MAX13013/MAX13014/MAX3023 reduce the V_{CC} supply current to 0.03µA, and the V_L supply current to 0.1µA. These devices operate at a guaranteed data rate of 100Mbps for $V_L > 1.8V$.

Level Translation

For proper operation, ensure that $+1.65V \leq V_{CC} \leq +3.6V$, and $+1.2V \leq V_L \leq V_{CC} - 0.4V$. During power-up sequencing, $V_L \geq V_{CC}$ does not damage the device. During power-supply sequencing, when V_{CC} is floating and V_L is powering up, up to 40mA current can be sourced to each load on the V_L side, without the device latching up. The maximum data rate depends heavily on

the load capacitance (see the *Typical Operating Characteristics Rise/Fall Time* graph), output impedance of the driver, and the operating voltage range (Table 1).

Input Driver Requirements

The MAX13013/MAX13014/MAX3023 architecture is based on a one-shot accelerator output stage (see Figure 5). Accelerator output stages are in tri-state mode except when there is a transition on any of the translators on the input side, either I/O V_L or I/O V_{CC} . A short pulse is then generated during which the accelerator output stages become active and charge/discharge the capacitances at the I/Os. Due to the architecture, both sides become active during the one-shot pulse. This can lead to some current feeding into the external source that is driving the translator. However, this behavior simply helps to speed up the transition on the driven side.

For proper operation, the driver has to meet the following conditions: less than 25Ω output impedance and greater than 20mA peak output current capability.

Table 1. Data Rate

V_L (V)	GUARANTEED DATA RATE (Mbps)
$V_L < 1.8$	80
$V_L \geq 1.8$	100

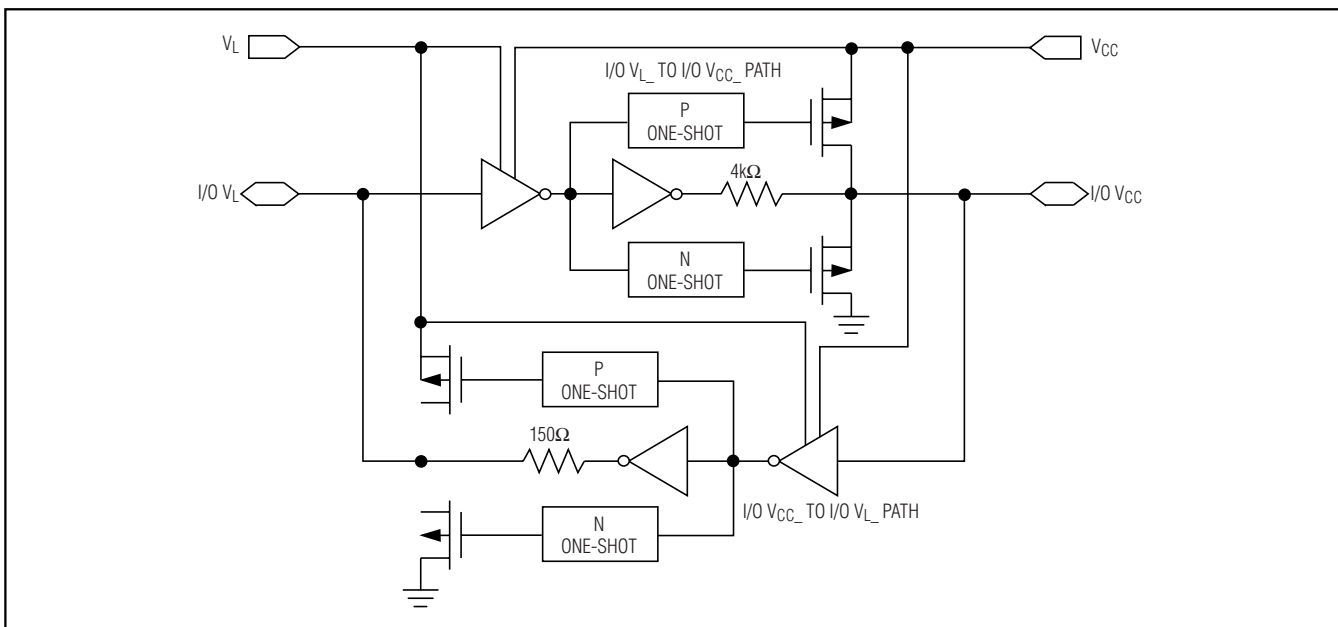


Figure 5. Simplified Functional Diagram (One I/O Line)

+1.2V to +3.6V, 0.1μA, 100Mbps, Single-/Dual-/Quad-Level Translators

Figure 6 shows a graph of typical input current versus input voltage.

Output Load Requirements

The MAX13013/MAX13014/MAX3023 I/O are designed to drive CMOS inputs. Do not load the I/O lines with a resistive load less than 25kΩ. Also, do not place an RC circuit at the input of these devices to slow down the edges. If a slower rise/fall time is required, refer to the MAX3000E/MAX3001E logic-level-translators data sheet.

For I²C level translation, refer to the MAX3372E-MAX3379E/MAX3390E-MAX3393E data sheet.

Enable Inputs

The MAX13013 single-, the MAX13014 dual- and the MAX3023 (UCSP package) quad-level translators feature an EN input. The MAX3023 (TSSOP package) quad-level translator features both EN and $\overline{\text{EN}}$ inputs (see Table 2 for operating mode). Note that the MAX3023 (TSSOP package) has internal pullup and pulldown circuitry on EN and $\overline{\text{EN}}$, respectively. If left unconnected, EN is pulled up to V_L and $\overline{\text{EN}}$ is pulled down to GND.

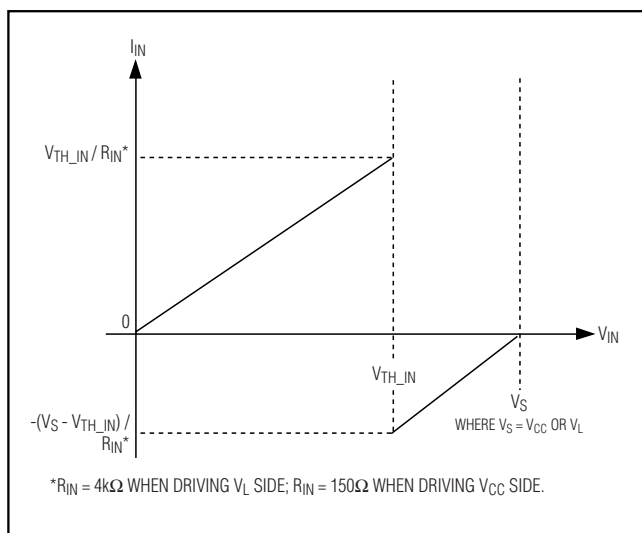


Figure 6. Typical I_{IN} vs. V_{IN}

Table 2. MAX3023 (TSSOP Package)
Operating Mode

EN	$\overline{\text{EN}}$	OPERATING MODE
0	0	Both I/O V _L and I/O V _{CC} are in tri-state.
V _L	0	Normal operation.
0	V _L	Both I/O V _L and I/O V _{CC} are in tri-state.
V _L	V _L	Both I/O V _L and I/O V _{CC} are in tri-state.

Applications Information

Power-Supply Decoupling

To reduce ripple and the chance of introducing data errors, bypass V_L and V_{CC} to ground with a 0.1μF ceramic capacitor. Place all capacitors as close to the power-supply inputs as possible.

Unidirectional vs. Bidirectional Level Translator

The MAX13013/MAX13014/MAX3023 bidirectional translators can operate as a unidirectional device to translate signals without inversion. These devices provide the smallest solution (UCSP package) for unidirectional level translation without inversion.

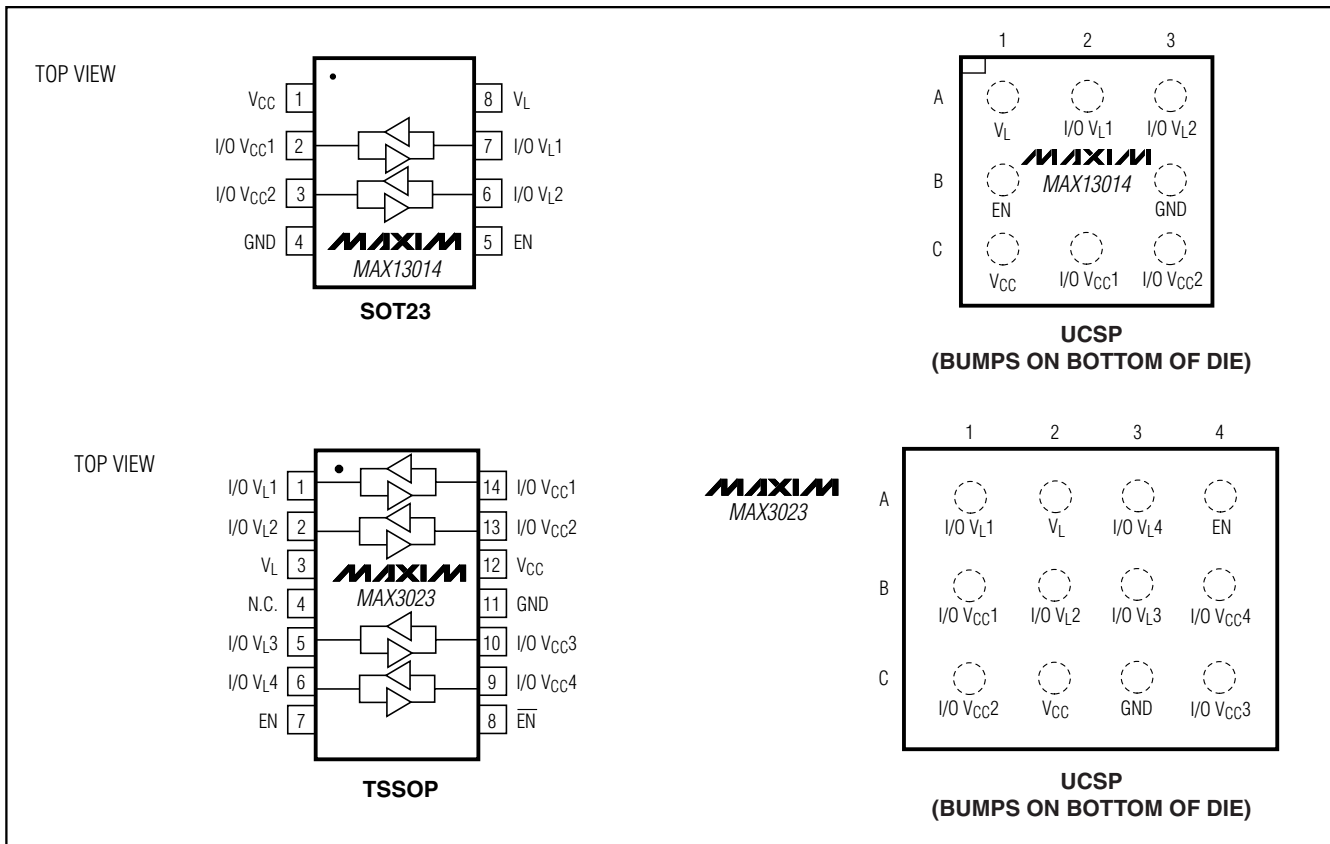
UCSP Applications Information

For the latest application details on UCSP construction, dimensions, tape carrier information, PC board techniques, bump-pad layout, and recommended reflow temperature profiles, as well as the latest information on reliability testing results, go to Maxim's web site at www.maxim-ic.com/ucsp to find the Application Note: UCSP—A Wafer-Level Chip-Scale Package.

Purchase of I²C components from Maxim Integrated Products, Inc. or one of its sublicensed Associated Companies, conveys a license under the Philips I²C Patent Rights to use these components in an I²C system, provided that the system conforms to the I²C Standard Specification as defined by Philips.

+1.2V to +3.6V, 0.1µA, 100Mbps, Single-/Dual-/Quad-Level Translators

Pin Configurations (continued)



Ordering Information/Selector Guide (continued)

PART	TEMP RANGE	PIN-PACKAGE	PACKAGE CODE	TOP MARK	NUMBER OF V _L → V _{CC} TRANSLATORS	Number of V _{CC} → V _L TRANSLATORS	EN	$\overline{\text{EN}}$
MAX13013EBT-T	-40°C to +85°C	3 x 2 UCSP-6	B6-1	ADF	1	1	✓	—
MAX13014EKA	-40°C to +85°C	8 SOT23	—	AEKB	2	2	✓	—
MAX13014EBL-T	-40°C to +85°C	3 x 3 UCSP-9	B9-2	AEN	2	2	✓	—
MAX3023EUD	-40°C to +85°C	14 TSSOP	—	—	4	4	✓	✓
MAX3023EBC-T	-40°C to +85°C	4 x 3 UCSP-12	B12-1	ABW	4	4	✓	—

Chip Information

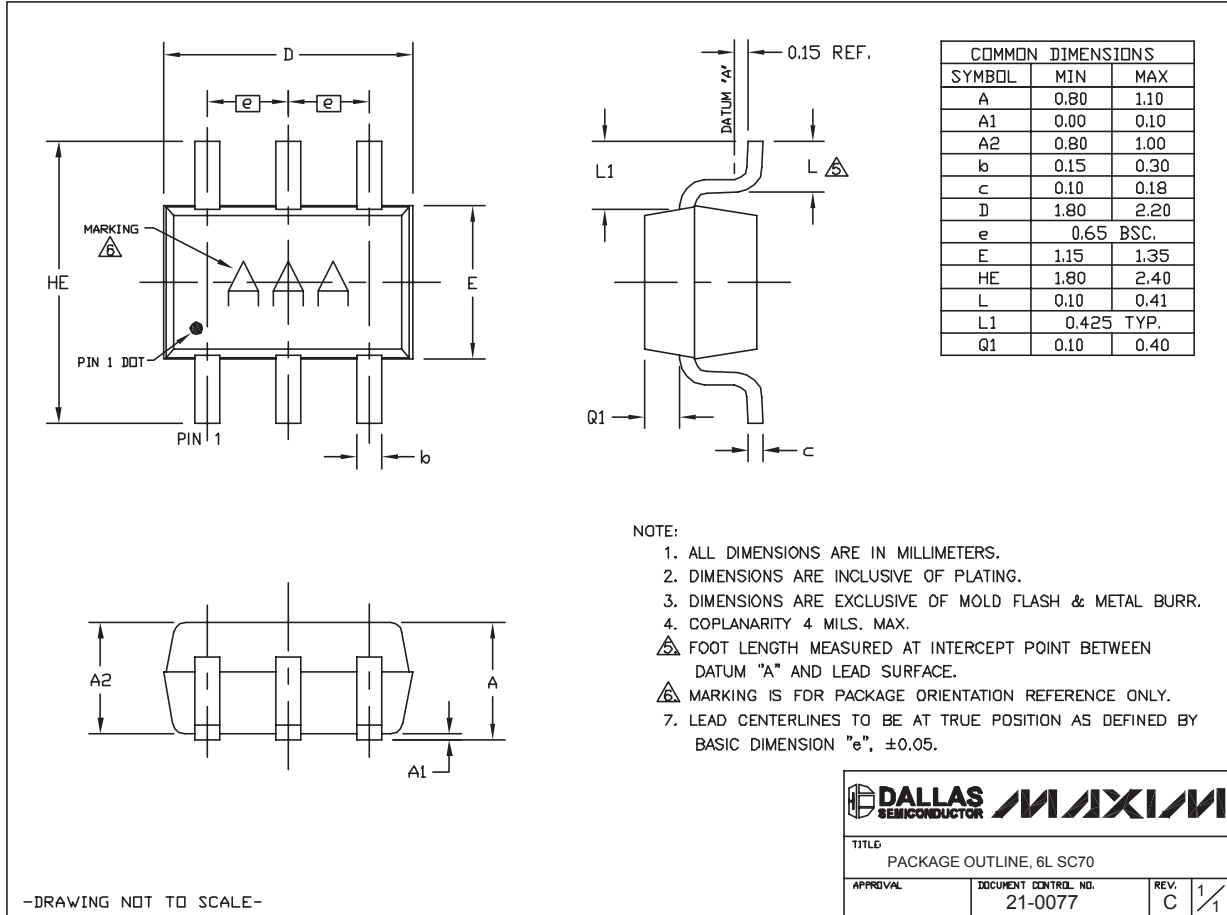
TRANSISTOR COUNT:
 MAX13013: 261
 MAX13014: 444
 MAX3023: 791
 PROCESS: BiCMOS

+1.2V to +3.6V, 0.1µA, 100Mbps, Single-/Dual-/Quad-Level Translators

Package Information

(The package drawing(s) in this data sheet may not reflect the most current specifications. For the latest package outline information go to www.maxim-ic.com/packages.)

MAX13013/MAX13014/MAX3023



-DRAWING NOT TO SCALE-

+1.2V to +3.6V, 0.1µA, 100Mbps, Single-/Dual-/Quad-Level Translators

Package Information (continued)

(The package drawing(s) in this data sheet may not reflect the most current specifications. For the latest package outline information go to www.maxim-ic.com/packages.)

TOP VIEW

COMMON DIMENSIONS		VARIABLE DIMENSIONS		DEPOPULATED SOLDER BALLS	
		D	E		
A	0.62±0.05-0.08	B6-1	1.00±0.05	1.52±0.05	NONE
A1	0.29±0.02	B6-2	1.00±0.05	1.52±0.05	B2
A2	0.33 REF.	B6-3	1.05±0.05	1.57±0.05	NONE
b	∅0.35±0.03	B6-4	1.05±0.05	1.57±0.05	B2
D1	0.50 BASIC	B6-5	0.97±0.05	1.46±0.05	NONE
E1	1.00 BASIC	B6-6	1.16±0.05	1.57±0.05	NONE
e	0.50 BASIC				
SD	0.25 BASIC				
SE	0.00 BASIC				

NOTES:

- ALL DIMENSIONS ARE IN MILLIMETERS.
- PRODUCT MARKING: NUMBER OF CHARACTERS AND LINES VARY PER PRODUCT.

BOTTOM VIEW

SIDE VIEW

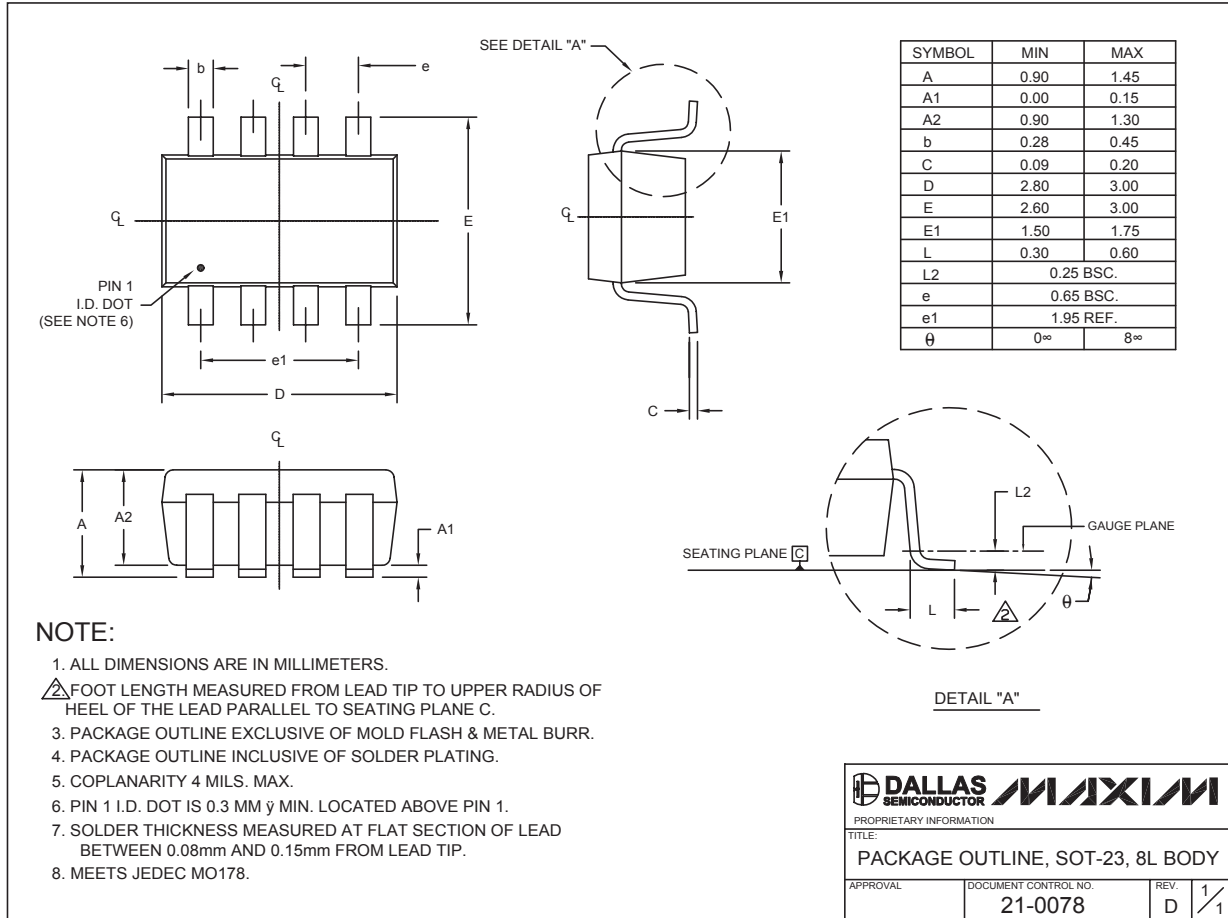
DALLAS SEMICONDUCTOR		MAXIM	
PROPRIETARY INFORMATION			
TITLE:			
PACKAGE OUTLINE, 3x2 UCSP			
APPROVAL	DOCUMENT CONTROL NO.	REV.	REV. 1/1
	21-0097	G	

6L UCSPLEPS

+1.2V to +3.6V, 0.1 μ A, 100Mbps, Single-/Dual-/Quad-Level Translators

Package Information (continued)

(The package drawing(s) in this data sheet may not reflect the most current specifications. For the latest package outline information go to www.maxim-ic.com/packages.)



SOT23, 8L EPSS

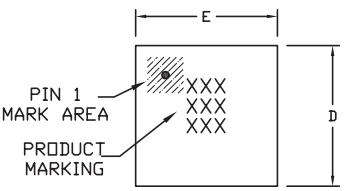
MAX13013/MAX13014/MAX3023

DALLAS SEMICONDUCTOR		MAXIM	
PROPRIETARY INFORMATION			
TITLE: PACKAGE OUTLINE, SOT-23, 8L BODY			
APPROVAL	DOCUMENT CONTROL NO. 21-0078	REV. D	1/1

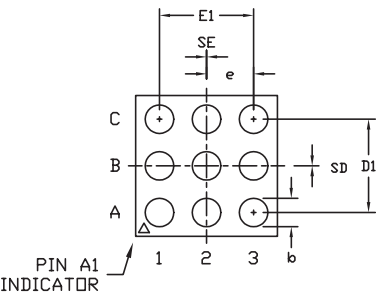
+1.2V to +3.6V, 0.1µA, 100Mbps, Single-/Dual-/Quad-Level Translators

Package Information (continued)

(The package drawing(s) in this data sheet may not reflect the most current specifications. For the latest package outline information go to www.maxim-ic.com/packages.)



TOP VIEW



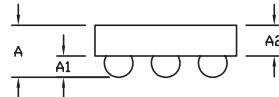
BOTTOM VIEW

COMMON DIMENSIONS	
A	0.62±0.05-0.08
A1	0.29±0.02
A2	0.33 REF.
b	∅0.35±0.03
D1	1.00 BASIC
E1	1.00 BASIC
e	0.50 BASIC
SD	0.00 BASIC
SE	0.00 BASIC


PKG. CODE	VARIABLE DIMENSIONS		DEPOPULATED SOLDER BALLS
	D	E	
B9-1	1.52±0.05	1.52±0.05	NONE
B9-2	1.52±0.05	1.52±0.05	B2
B9-3	1.52±0.05	1.52±0.05	B1, B2, B3
B9-4	1.60±0.05	1.60±0.05	NONE
B9-5	1.60±0.05	1.60±0.05	B2
B9-6	1.60±0.05	1.60±0.05	B1, B2, B3

NOTES:

- ALL DIMENSIONS ARE IN MILLIMETERS.
- PRODUCT MARKING: NUMBER OF CHARACTERS AND LINES VARY PER PRODUCT.



SIDE VIEW

		
<small>PROPRIETARY INFORMATION</small>		
TITLE: PACKAGE OUTLINE, 3x3 UCSP		
APPROVAL:	DOCUMENT CONTROL NO. 21-0093	REV. I 1/1

9LUCSP, 3x3.EPS

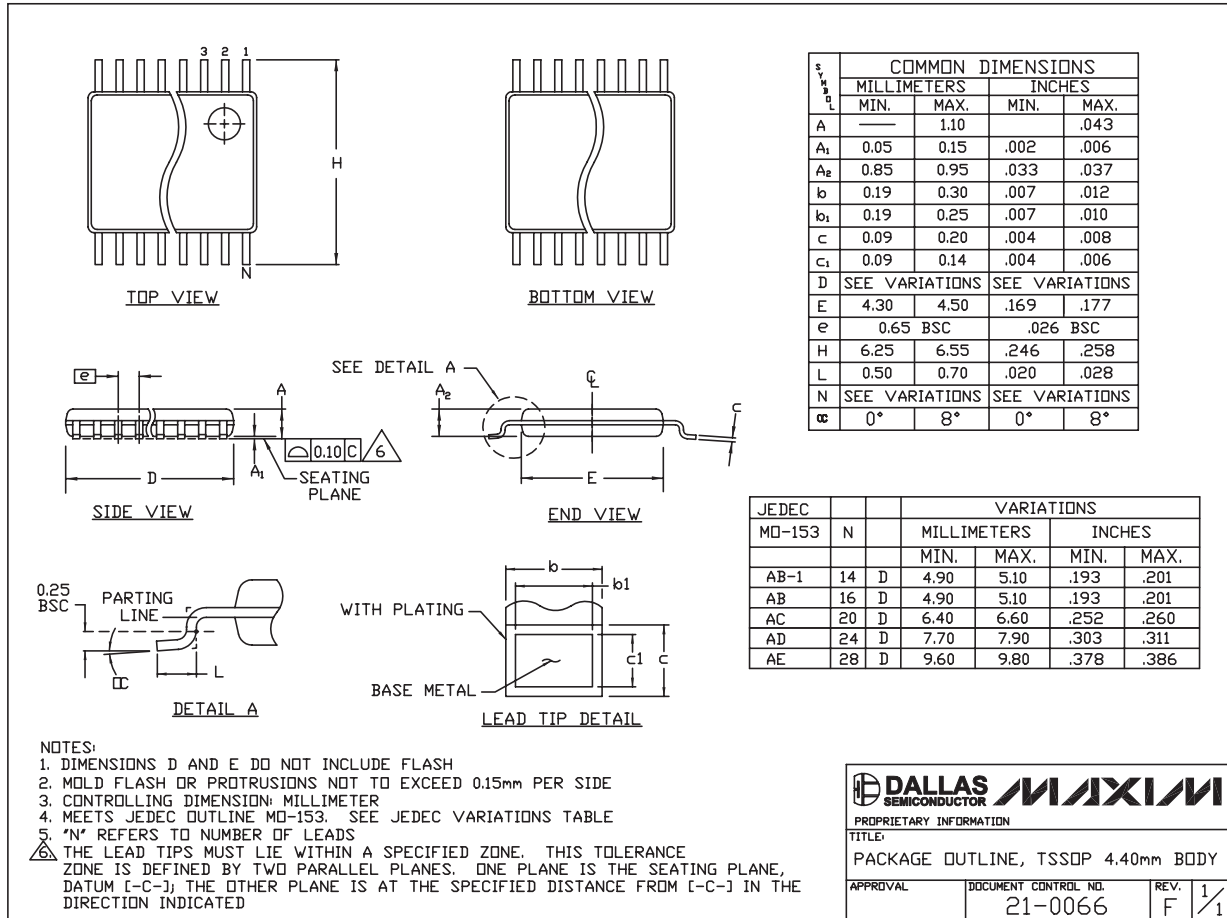
+1.2V to +3.6V, 0.1µA, 100Mbps, Single-/Dual-/Quad-Level Translators

Package Information (continued)

(The package drawing(s) in this data sheet may not reflect the most current specifications. For the latest package outline information go to www.maxim-ic.com/packages.)

MAX13013/MAX13014/MAX3023

TSSOP4.40mm.EPS



+1.2V to +3.6V, 0.1µA, 100Mbps, Single-/Dual-/Quad-Level Translators

Package Information (continued)

(The package drawing(s) in this data sheet may not reflect the most current specifications. For the latest package outline information go to www.maxim-ic.com/packages.)

TOP VIEW

COMMON DIMENSIONS	
A	0.62±0.05-0.08
A1	0.29±0.02
A2	0.33 REF.
b	∅0.35±0.03
D1	1.00 BASIC
E1	1.50 BASIC
e	0.50 BASIC
SD	0.00 BASIC
SE	0.25 BASIC

PKG. CODE	VARIABLE DIMENSIONS		DEPOPULATED SOLDER BALLS
	D	E	
B12-1	1.54±0.05	2.02±0.05	NONE
B12-2	1.54±0.05	2.02±0.05	B3
B12-3	1.54±0.05	2.12±0.05	NONE
B12-4	1.54±0.05	2.02±0.05	B2, B3
B12-5	1.64±0.05	2.12±0.05	B2
B12-6	1.64±0.05	2.12±0.05	B3
B12-7	1.54±0.05	2.02±0.05	B1, B3
B12-8	1.54±0.05	2.02±0.05	B2
B12-9	1.54±0.05	2.12±0.05	B2, B3
B12-10	1.54±0.05	2.02±0.05	B1, B2, B3, B4
B12-11	1.54±0.05	2.02±0.05	A2, C3

NOTES:

- ALL DIMENSIONS ARE IN MILLIMETERS.
- PRODUCT MARKING: NUMBER OF CHARACTERS AND LINES VARY PER PRODUCT.

SIDE VIEW

BOTTOM VIEW

DALLAS SEMICONDUCTOR	MAXIM
PROPRIETARY INFORMATION	
TITLE: PACKAGE OUTLINE, 4x3 UCSP	
APPROVAL	DOCUMENT CONTROL NO. 21-0104
REV. F	1/1

12L UCSP 4x3.EPS

Maxim cannot assume responsibility for use of any circuitry other than circuitry entirely embodied in a Maxim product. No circuit patent licenses are implied. Maxim reserves the right to change the circuitry and specifications without notice at any time.

18 _____ **Maxim Integrated Products, 120 San Gabriel Drive, Sunnyvale, CA 94086 408-737-7600**