

52301 INSTRUMENTATION AMPLIFIER (PRELIMINARY)



Features:

- +25°C to +180°C Operation
- Ultra-Low Voltage Drift
- Low Offset Voltage
- Low Nonlinearity
- Low Noise
- High CMR
- High Input Impedance

Applications:

- Amplification of signals from sources such as:
Strain Gages
Thermocouples
RTDs
- Low Level Signals
- Medical Instrumentation

DESCRIPTION

The MII 52301 is a high accuracy hybrid-circuit instrumentation amplifier designed for signal conditioning requirements where very high performance is desired.

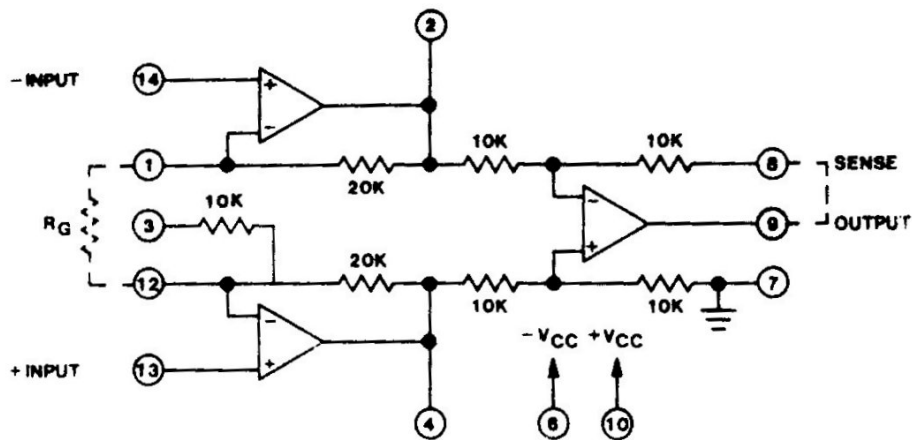
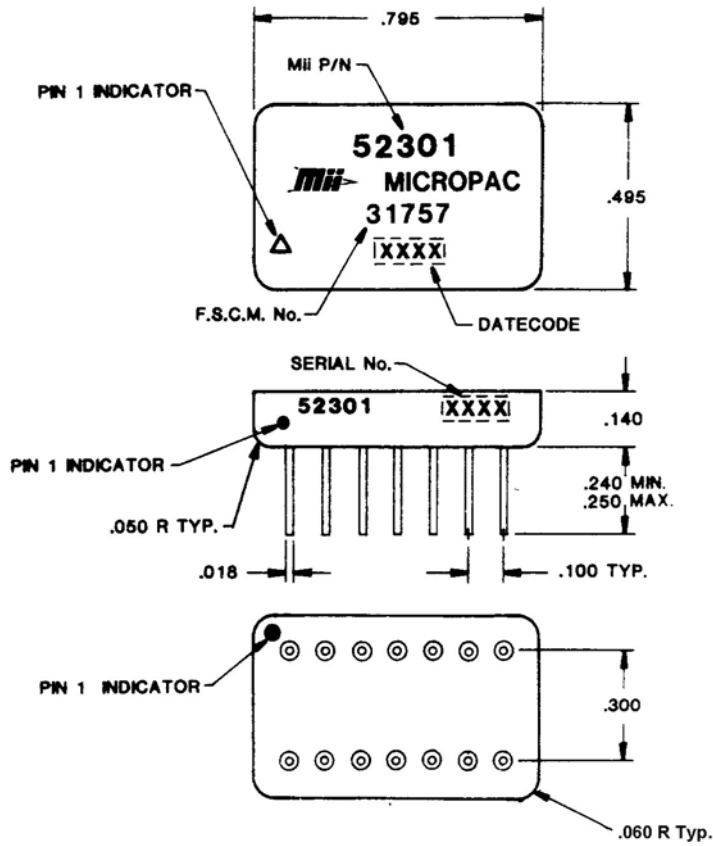
The input stage uses ultra-low drift, low noise technology to provide exceptional input characteristics.

PARAMETER	+25°C		+180°C ⁽¹⁾		UNITS
	MIN	MAX	MIN	MAX	
Gain Equation: $A = 1 + 40K/R_g$					
Rated Output Voltage	±10		±10		V
Current	10		5		mA
Input Offset Voltage (vs Temp, 30 μ V/°C)		±8		±16	mV
Input Bias Current Each Input		10		50	nA
Offset (vs Temp, .3na/°C)		10		50	nA
Input Voltage Common Mode Voltage Range		±10		±10	V
CMRR: Gain = 100	60		40		dB
Power Supply Voltage	±15		±15		V
Current		15		20	mA
Dynamic Response Full power Bandwidth	40		35		kHz
Unity Gain Bandwidth (-3dB)	.8		.8		MHz

(1) 200°C operation is a possible option. Check with the Factory.

Micropac Industries cannot assume any responsibility for any circuits shown or represent that they are free from patent infringement. Micropac reserves the right to make changes at any time in order to improve design and to supply the best product possible.

Package Dimensions



Micropac Industries cannot assume any responsibility for any circuits shown or represent that they are free from patent infringement. Micropac reserves the right to make changes at any time in order to improve design and to supply the best product possible.