

PLUG MATES Rewireable



NEW Enhanced designs now available:

- Captive internal contacts for easier and more reliable wiring
- Cable clamp screw mounts inside the plug to secure cable



- For "cold" connections 70°C, Protection Class I
- AC outlet plugs with straight or 90° cable entry

Standard 4300 Series:

- Max. wire size 18 AWG (1.0 mm²)
- Disassemble plug for cable connection
- Material: thermoplastic, UL 94V-2
Contact material: brass, nickel-plated

			4300.0609
UL	recognition	15A/125V 10A/250V	File #E96454
CSA	certification	15A/125V 10A/250V	File #LR70111
VDE	approval	10A/250V	File #69635 } File numbers on request
SEMKO	approval	10A/250V	
SEV	approval	10A/250V	

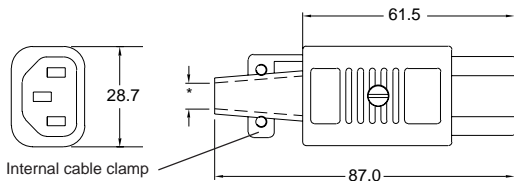
Enhanced 4782 / 4785 Series:

- Captive internal contacts
- Cable clamp screw mounts inside the plug to secure cable
- Strain reliefs for either harmonized 1.0 mm², or 14 AWG cable sizes
- Body material: PA6, UL 94V-0
Contact material: brass

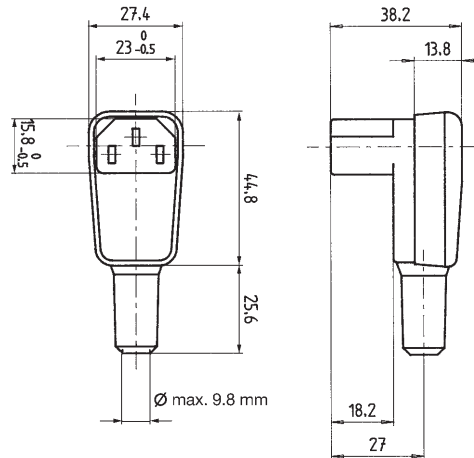
UL	recognition	15A/250V	File #E83589(M)
CSA	certification	15A/250V	File #LR56242-15
VDE	approval	10A/250V	File #100043

Standards: EN60320; IEC 320/C13

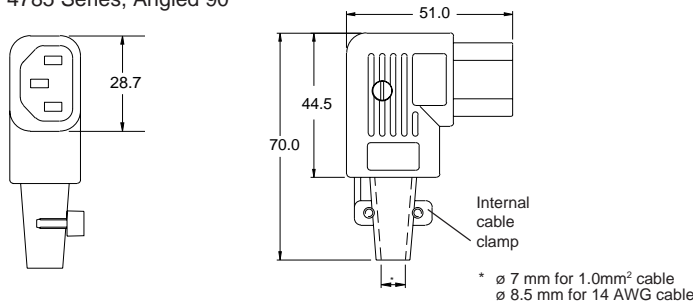
4782 Series, Straight



4300.0609



4785 Series, Angled 90°



Order Numbers (type)

Outlet plug, cable entry straight (in plug axis)	Outlet plug, cable entry angled (90° to plug axis)	Outlet plug, cable entry angled (90° to plug axis)	Max. cable size
4782.0100	4785.0100	4300.0609 (SFO430)	18 AWG
4782.0000	4785.0000		14 AWG
			1.0 mm ²

PLUG MATES Rewireable – For “Hot” connections 120°C

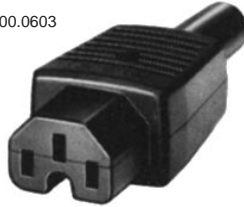


NEW

Enhanced designs now available:

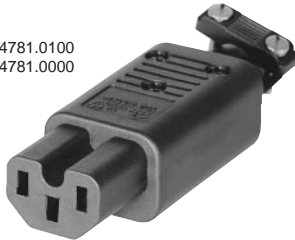
- A full 7mm of contact on each side of pins when engaged. Ideal for hi-definition audio signal.

• 4300.0603



- Captive internal contacts for easier and more reliable wiring
- Strain reliefs for either harmonized 1.0 mm², or 14 AWG cable sizes

• 4781.0100
• 4781.0000



• 4784.0100
• 4784.0000



- AC outlet plugs with straight or 90° angled cable entry
- For “hot” connections 120°C, Protection Class I

Standard 4300 Series:

- Max. wire size 16 AWG (1.5 mm²)
- Disassemble plug for cable connection
- Material: thermoplastic, UL 94V-2
Contact material: brass

UL	listing	15A/250V	File #E96454
CSA	certification	15A/250V	File #LR38456
VDE	approval	10A/250V	File #73759

Enhanced 4781/4784 Series:

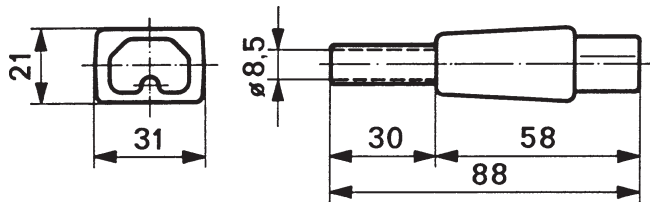
- Captive internal contacts
- Cable clamp screw mounts inside the plug to secure cable
- Strain reliefs for either harmonized 1.0 mm², or 14 AWG cable sizes
- Disassemble plug for cable connection
- Body material: PA6, UL 94V-0
Contact material: brass

UL	recognition	15A/250V	File #E83589(M)
CSA	certification	15A/250V	File #LR56242-15
VDE	approval	10A/250V	File #100043

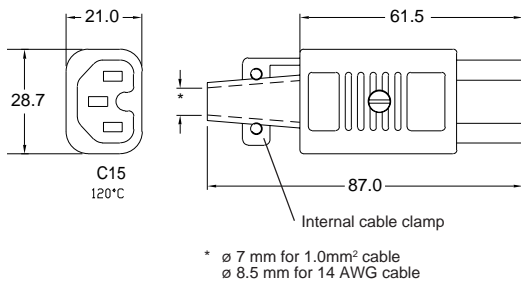


Standards: EN60320; IEC 320/C15

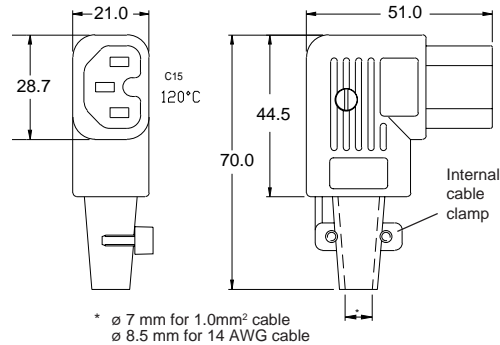
4300.0603



4781 Series, Straight



4784 Series, Angled 90°



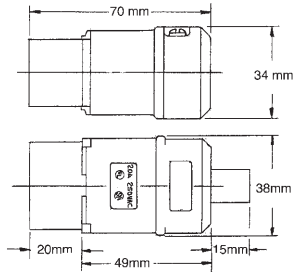
Order Numbers (type)

Outlet plug, 120°C, cable entry straight (in plug axis)	Outlet plug, 120°C, cable entry angled (90° to plug axis)	Max. Cable Size
4300.0603 (8943.W)		16 AWG
4781.0100	4784.0100	14 AWG
4781.0000	4784.0000	1.0 mm ²

PLUG MATES 4300 Rewireable - North America



4300.0922



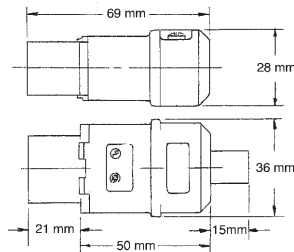
4300.0922 (mates with C19 outlet)

- For "cold" connections 70°C, Protection Class I
- AC inlet plug for high currents, with straight cable entry
- For North American cordage 16/3 SJ to 12/3 SJ (.325 to .475" dia.)
- Disassemble plug for cable connection
- Housing: thermoplastic; prongs and terminals: brass
- For mating ac outlet see 6653, page 18

UL	listing	20A/250V	File # E96454
CSA	certification	20A/250V	File #LR702825



4300.0921



4300.0921 (mates with C20 inlet)

- For "cold" connections 70°C, Protection Class I
- AC outlet plug for high currents, with straight cable entry
- For North American cordage 16/3 SJ to 12/3 SJ (.275 to .475" dia.), or International (HAR Cord) 3x1.5mm² to 3x2.5mm² (8 to 12mm dia.)
- Disassemble plug for cable connection
- Housing: thermoplastic; prongs and terminals: brass
- For mating ac inlet/filter see C20F, page 53
- For mating ac inlet see 6153, page 18

UL	listing	20A/250V	File #E96454
CSA	certification	20A/250V	File #LR702825

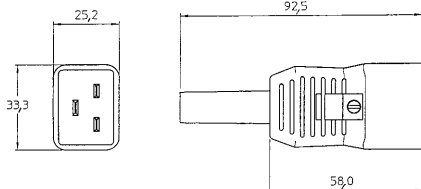


Standards: EN/IEC 60320-1/C19 (outlet), EN/IEC 60320-2-2/Sheet 1 (inlet)

PLUG MATES 4795 / 4796 Rewireable - International



4796

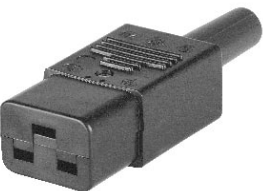


4796.0000 (mates with C19 outlet)

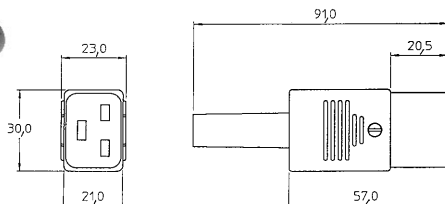
- For "cold" connections 70°C, Protection Class I
- AC inlet plug for high currents, with straight cable entry
- International (HAR Cord) 3 x 2 mm² (14 awg) max. diameter 10 mm
- Disassemble plug for cable connection
- Cable clamp screw mounts inside the plug to secure cable
- Housing: thermoplastic PA 6 (UL-94V-0); prongs and terminals: brass; cable clamp, screws and insert: steel
- For mating ac outlet see 6653, page 18

UL	recognized	21A/250V	File #E83589
CSA	certification	21A/250V	File #205419
VDE	approval	21A/250V	File #129614

NEW



4795



4795.0000 (mates with C20 inlet)

- For "cold" connections 70°C, Protection Class I
- AC inlet plug for high currents, with straight cable entry
- International (HAR Cord) 3 x 2 mm² (14 awg) max. diameter 10 mm
- Disassemble plug for cable connection
- Cable clamp screw mounts inside the plug to secure cable
- Housing: thermoplastic PA 6 (UL-94V-0); prongs and terminals: brass; cable clamp, screws and insert: steel
- For mating ac inlet see 6153, page 18

UL	recognized	21A/250V	File #E195476
CSA	certification	21A/250V	File #205419
VDE	approval	21A/250V	File #129615



Standards: EN/IEC 60320-1/C19 (outlet), EN/IEC 60320-2-2/Sheet 1 (inlet)