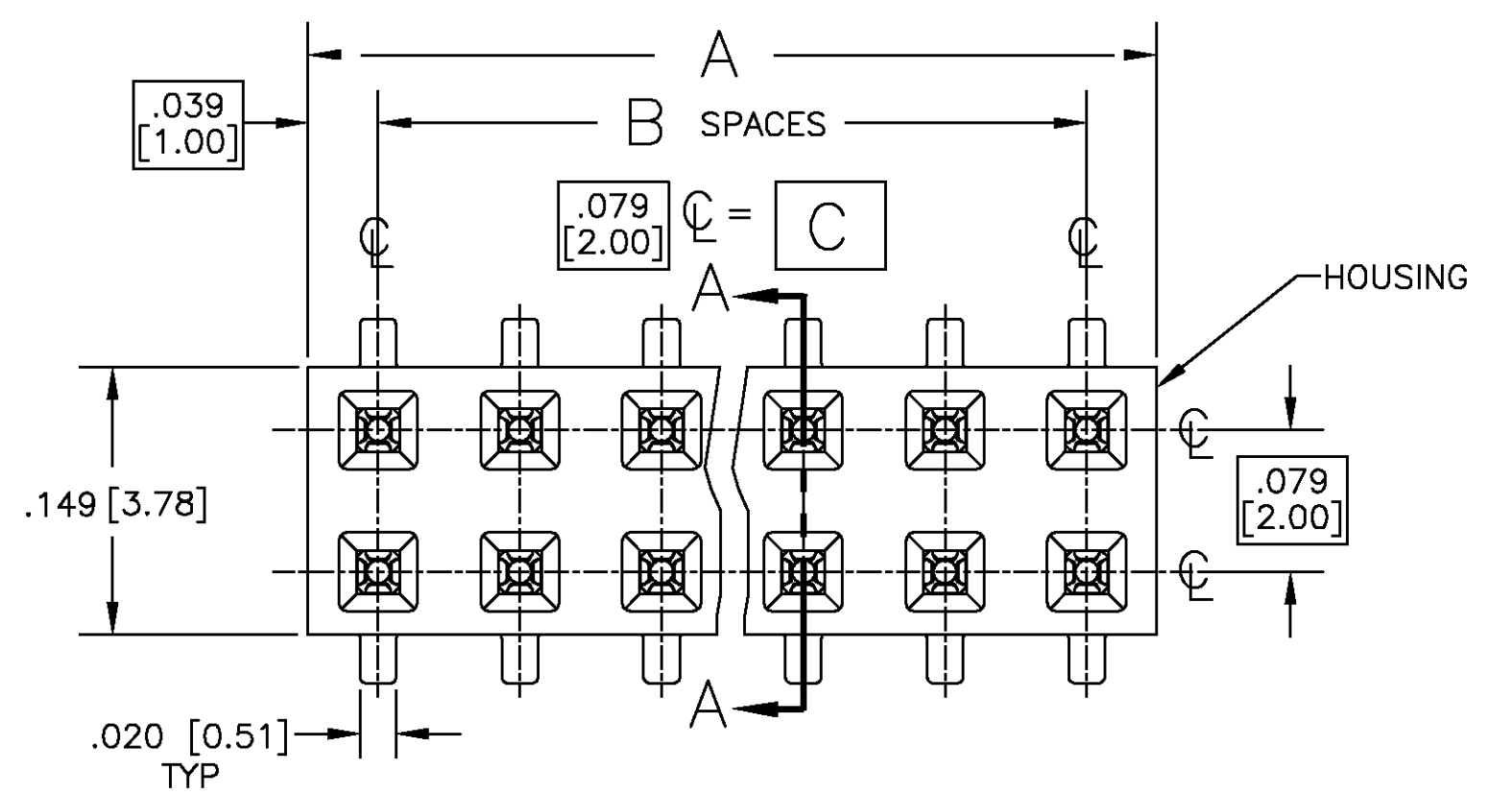
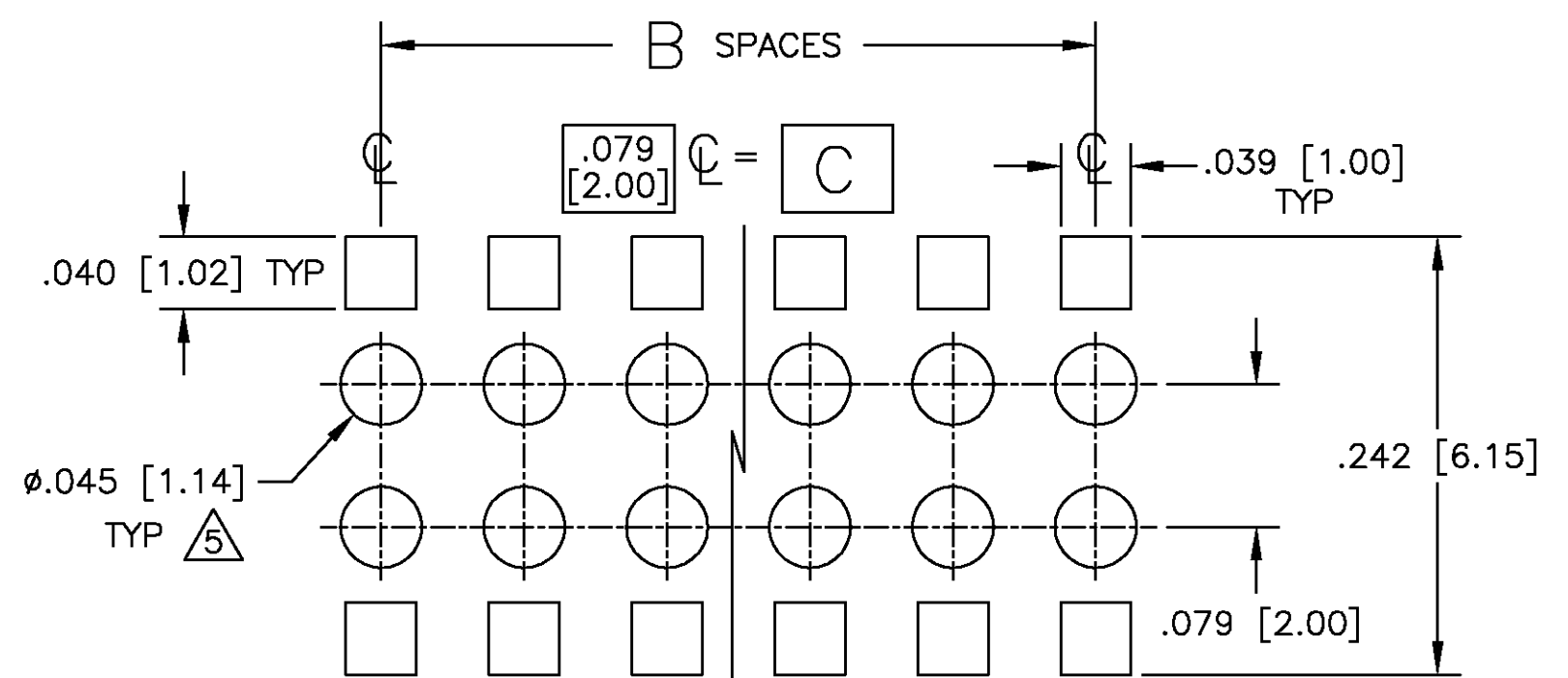


THIS DRAWING IS UNPUBLISHED. RELEASED FOR PUBLICATION .19
 © COPYRIGHT 19 BY AMP INCORPORATED. ALL RIGHTS RESERVED.

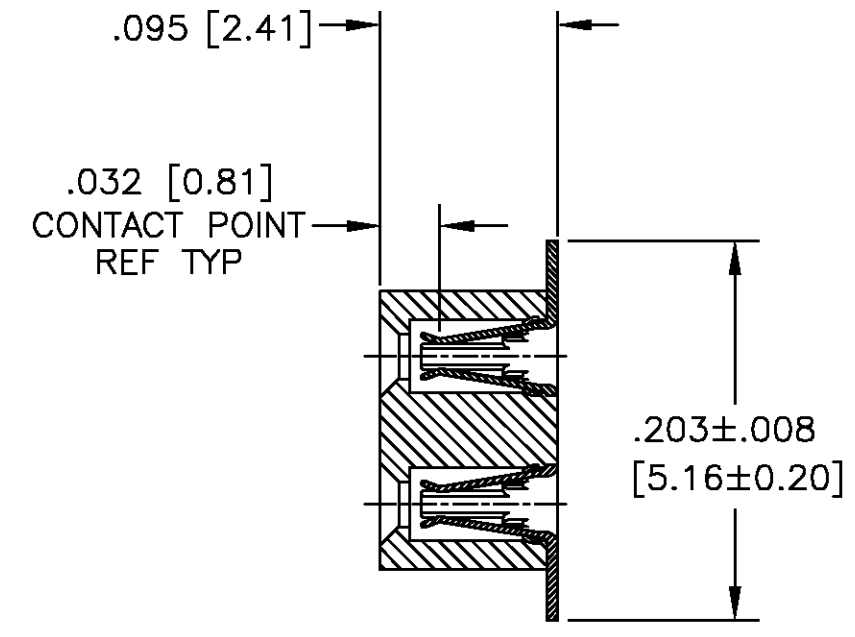
LOC		DIST		REVISIONS			
P	LTR	DESCRIPTION		DATE	DWN	APVD	
AA	53	L	REV; EC 0U1A-0005-99	20JUL99	GG	SR	



1. HOUSING MATERIAL: HIGH TEMPERATURE THERMOPLASTIC, GLASS FILLED, UL 94V-0, BLACK COLOR.
2. CONTACT MATERIAL: BERYLLIUM COPPER, CDA 17200.
3. CONTACT PLATING: .000002 [0.00005] MINIMUM GOLD FLASH, TYPE III, GRADE A. PER AMP SPEC. 112-162-1 OVER .000010-.000020 [0.00025-0.00051] (80/20) PALLADIUM/NICKEL PER AMP SPEC. 112-49 OVER .000080-.000120 [0.00203-0.00305] ELECTROLESS NICKEL PER AMP SPEC 112-246-1.
4. THE ACCEPTABLE MATING HEADER POSTS SHOULD BE .015" [0.38] MINIMUM TO .021" [0.53] MAXIMUM ROUND OR SQUARE LEADS WITH LEAD-IN.
5. P.C.B. HOLES ARE REQUIRED FOR BOTTOM ENTRY ONLY.
6. DIMENSIONS IN BRACKETS ARE METRIC EQUIVALENTS.



P.C.B. LAYOUT



SECTION A-A

PART NO.	POS.	A	B	C
560168-1	4	.157 [4.00]	1	.079 [2.00]
560168-9	6	.236 [6.00]	2	.157 [4.00]
1-560168-0	10	.394 [10.00]	4	.315 [8.00]
560168-2	12	.472 [12.00]	5	.394 [10.00]
560168-3	14	.551 [14.00]	6	.472 [12.00]
560168-4	16	.630 [16.00]	7	.551 [14.00]
560168-5	18	.709 [18.00]	8	.630 [16.00]
560168-6	20	.787 [20.00]	9	.709 [18.00]
560168-7	24	.945 [24.00]	11	.866 [22.00]
560168-8	28	1.102 [28.00]	13	1.024 [26.00]

THIS DRAWING IS A CONTROLLED DOCUMENT.

DWN	JIMV	12FEB99	AMP Incorporated Harrisburg PA 17105-3608
CHK	SAC	9-9-93	
APVD	DJS	9-9-93	
DIMENSIONS: INCHES [mm]			NAME
TOLERANCES UNLESS OTHERWISE SPECIFIED: 0 PLC ± - 1 PLC ± - 2 PLC ± - 3 PLC ± .003[0.08] 4 PLC ± - ANGLES ± 30° FINISH -			PRODUCT SPEC - APPLICATION SPEC - WEIGHT -
MATERIAL NOTED			SIZE A2 CAGE CODE 00779 DRAWING NO C=560168 RESTRICTED TO - CUSTOMER DRAWING SCALE 10:1 SHEET 1 OF 1 REV L

560168