

MITSUBISHI DIGITAL TV ICs M65665SP/FP

PICTURE-IN-PICTURE SIGNAL PROCESSING

DESCRIPTION

The M65665SP/FP is a PIP (Picture in Picture) signal processing LSI, whose sub-picture input is composite signal or component signals(Y/C or Y/U/V) for NTSC, PAL-M, and PAL-N. The built-in field memory (168k-bit RAM), V-chip data slicer and analog circuitries lead the high quality PIP system low cost and small size.

FEATURES

- * Internal V-chip data slicer (for sub-picture)
- * Vertical filter for sub-picture (Y signal)
- * Base band comb filter (2 Line)
- * Single sub-picture (selectable picture size : 1/9 , 1/16)
- * Sub-picture processing specification (1/9 , 1/16 size) :
 - Quantization bits Y, B-Y, R-Y : 7 bits
 - Horizontal sampling 229 pixels (Y), 57 pixels (B-Y, R-Y)
 - Vertical lines 69/ 52 lines
- * Frame (sub-picture) on/off
- * Built-in analog circuits :
 - Two 8-bit A/D converter (for sub-picture signal)
 - Three 8-bit D/A converters (for Y, U and V of sub-picture)
 - Sync-tip-clamp, VCXO, OSD switch ... etc..
- * IIC BUS control (parallel/serial control) :
 - PIP on/off , Frame on/off (programmable luma level),
 - Sub-picture size (1/9, 1/16),
 - PIP position (free position), Picture freeze ,
 - Y delay adjustment, Chroma level, Tint, Black level,
 - Contrast ...etc..

APPLICATION

NTSC, PAL-M, PAL-N color TV

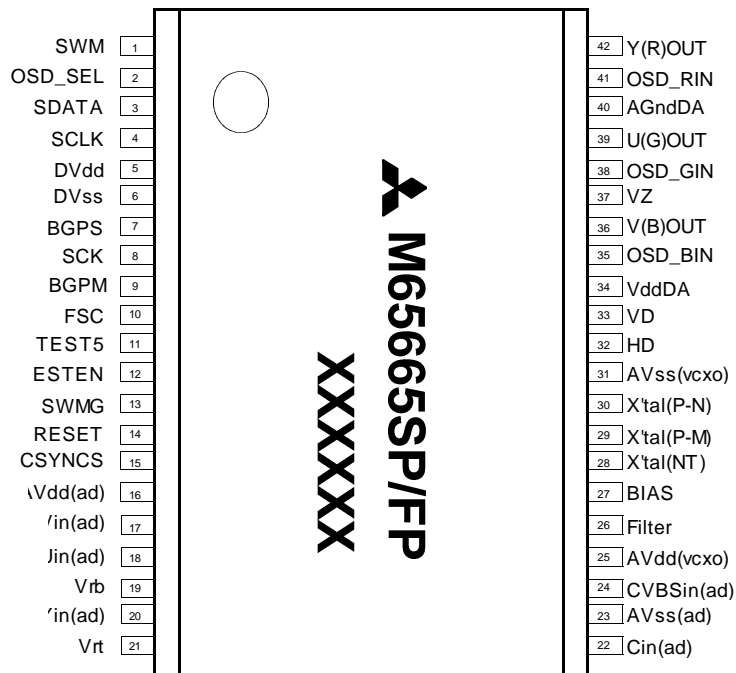
RECOMMENDED OPERATING CONDITIONS

Supply voltage range	-----	3.2 ~ 3.5 V
Operating frequency	-----	14.32 MHz
Operating temperature	-----	0 ~ 70 deg.
Input voltage (CMOS interface)	"H" ----	VDD x 0.7 ~ VDD V
	"L" ----	0 ~ VDD x 0.3 V
Output current (output buffer)	-----	4 mA (MAX)
Output load capacitance	-----	20 pF (MAX) *1
Circuit current	-----	- mA

NOTICE: Connect a 0.1μF or larger capacitor between VDD and VSS pins.
*1 : Include pin capacitance (7 pF)

Block diagram & Application examples
Shown next pages

PIN CONFIGURATION (TOP VIEW)



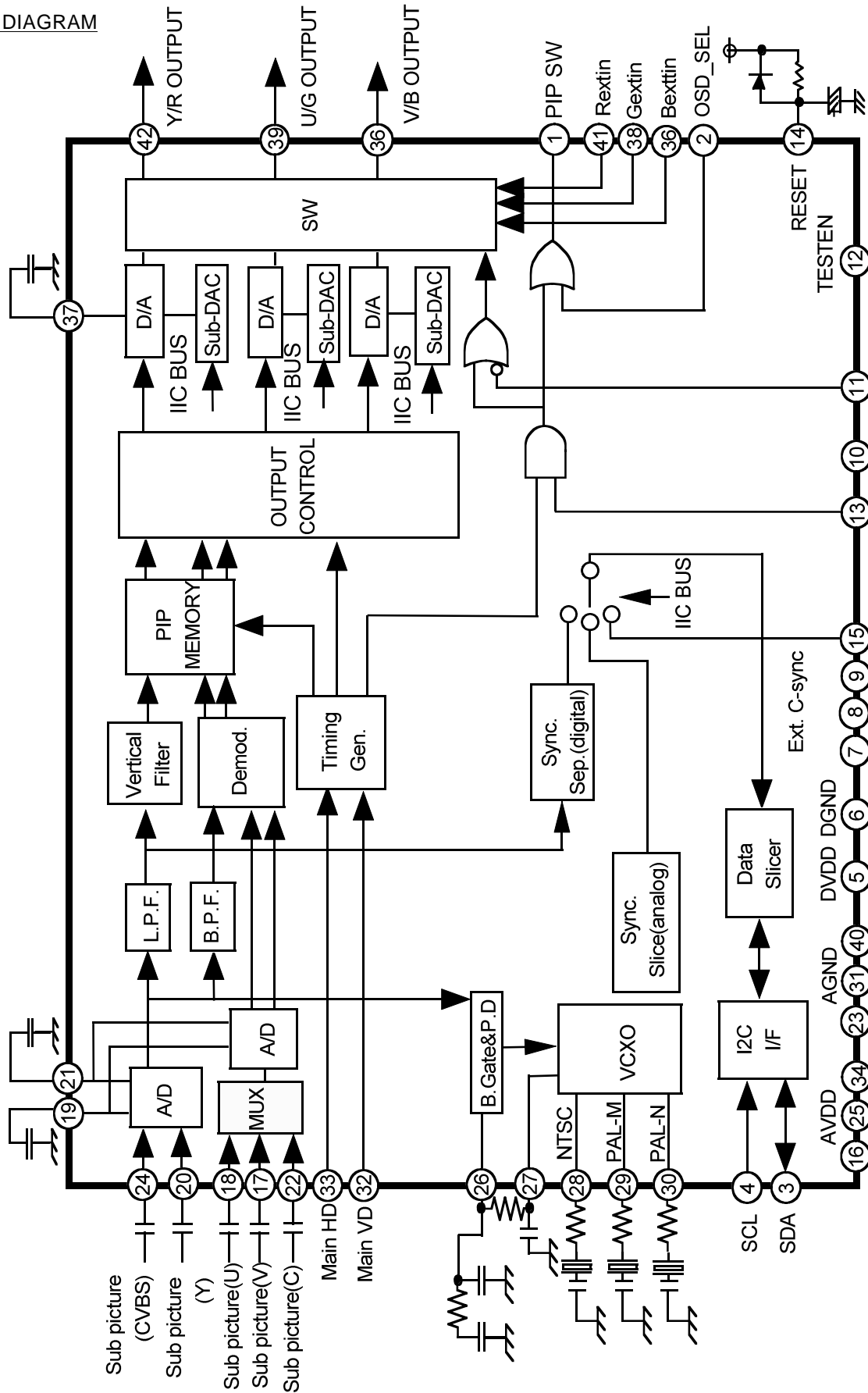
Outline 42 Pin SDIP Package (M65665SP)

Outline 0.8mm pitch 42 Pin SOP Package (M65665FP)

MITSUBISHI DIGITAL TV ICs M65665SP/FP

PICTURE-IN-PICTURE SIGNAL PROCESSING

BLOCK DIAGRAM



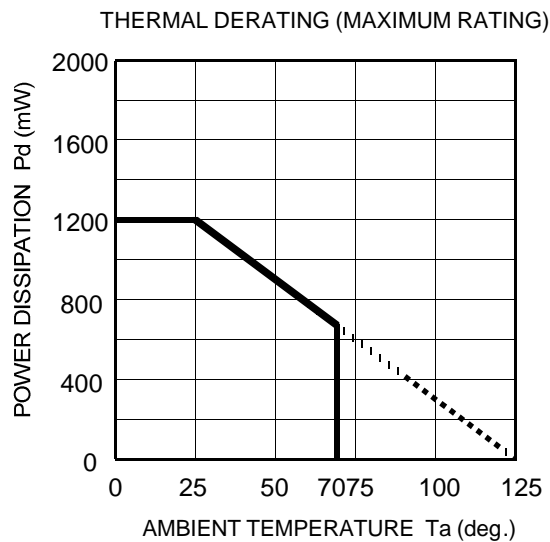
ABSOLUTE MAXIMUM RATINGS

(V_{SS}=0V)

Symbol	Parameter	Conditions	Limits		Unit
			Min.	Max.	
V _{DD3}	Supply voltage (3.3V)		-0.3	4.2	V
V _I	Input voltage(except 5V input)		-0.3	V _{DD3} +0.3	V
V _I	Input voltage(5V input)		-0.3	5.25	V
V _O	Output voltage		-0.3	V _{DD3} +0.3	V
I _O	Output current (*1)		I _{OH} = -4	I _{OL} = 4	mA
P _D	Power dissipation		-	1200	mW
T _{opr}	Operating temperature		-10	70	deg.
T _{stg}	Storage temperature		-50	125	deg.

(*1) Output current per output terminal. But P_D limits all current.

TYPICAL CHARACTERISTICS



MITSUBISHI DIGITAL TV ICs M65665SP/FP

PICTURE-IN-PICTURE SIGNAL PROCESSING

DC CHARACTERISTICS

(Ta = 25 deg. unless otherwise noted)

(V_{SS}=0V)

Symbol	Parameter		Condition	Limits			Unit
				Min.	Typ.	Max.	
V _{IL}	Input voltage (3.3V CMOS interface)	L	V _{DD} = 2.7V	0	-	0.81	V
V _{IH}		H	V _{DD} = 3.6V	2.52	-	3.6	
I _{IH}	Input current (3.3V CMOS interface)	L	V _{DD} = 3.6V, V _i = 0V	-10	-	10	μA
I _{IL}		H	V _{DD} = 3.6V, V _i = 3.6V	-10	-	10	
V _{T-}	Input voltage schmitt (5.0V CMOS interface)	-	V _{DD} = 3.3V	0.8	-	1.65	V
V _{T+}		+		1.4	-	2.7	
V _H		Hysteresis		0.3	-	1.2	
I _{IH}	Input current (5.0V CMOS interface)	L	V _{DD} = 3.6V, V _i = 0V	-100	-	10	μA
I _{IL}		H	V _{DD} = 3.6V, V _i = 3.6V	-10	-	10	
V _{OL}	CMOS output voltage	L	V _{DD} = 3.3V, I _o = 1μA	-	-	0.05	V
V _{OH}		H		3.25	-	-	
I _{OL}	CMOS output current	L	V _{DD} = 3.3V, V _{OL} = 0.4V	2	-	-	mA
I _{OH}		H	V _{DD} = 3.3V, V _{OH} = 2.6V	-	-	-2	
I _{oZL}	Output leakage current	L	V _{DD} = 3.6V, V _o = 0V	-10	-	10	μA
I _{oZH}		H	V _{DD} = 3.6V, V _o = 3.6V	-10	-	10	
C _i	Input pin capacitance		f = 1MHz, V _{DD} = 0V	-	7	15	pF
C _o	Output pin capacitance			-	7	15	
C _{io}	Bidirectional pin capacitance			-	7	15	
I _{DD}	Operating current	3.3V supply		-	140	-	mA

MITSUBISHI DIGITAL TV ICs M65665SP/FP

PICTURE-IN-PICTURE SIGNAL PROCESSING

PIN DESCRIPTION

Pin No.	Name	I/O	Function	Remarks
1	SWM	CMOS output	PIP switch output	
2	OSD_SEL	CMOS input	Output OSD select	
3	SDATA	CMOS I/O(5V)*1	I2C SDA input/output	
4	SCLK	CMOS input(5V)*1	I2C SCL input	
5	DVdd1	Digital Vdd	Vdd f or digital part	
6	DVss1	Digital Vss	Vss f or digital part	
7	BGPS	CMOS output	Test output	
8	SCK	CMOS input	Test input	connect to GND
9	BGPM	CMOS output	Test output	
10	FSC	CMOS input	Test input	connect to GND
11	TEST5	CMOS input	Test input	connect to GND
12	TESTEN	CMOS input	Test input	connect to GND
13	SWMG	CMOS input		connect to Vdd
14	RESET	CMOS input	Power on reset input	
15	CSYNCS	CMOS input	Sub picture external C-sy nc input	
16	AVdd (ADC)	Analog Vdd	Vdd f or internal ADC	
17	VIN (ADC)	Analog	Sub picture V input of ADC	
18	UIN (ADC)	Analog	Sub picture U input of ADC	
19	VRB	Analog	Low level reference v oltage output of ADC	
20	YIN (ADC)	Analog	Sub picture Y input of ADC	
21	VRT	Analog	High level reference v oltage output of ADC	
22	CIN	Analog	Sub picture C input of ADC	
23	AVss (ADC)	Analog Vss	Vss f or internal ADC	
24	CVBSIN	Analog	Sub picture CVBS input of ADC	
25	AVdd (VCXO)	Analog Vdd	Vdd f or VCXO	
26	FILTER	Analog	VCXO filter v oltage connection	
27	BIAS	Analog	VCXO bias v oltage connection	
28	Xtal (NTSC)	Analog	Xtal of NTSC connection	
29	Xtal (PAL-M)	Analog	Xtal of PAL-M connection	
30	Xtal (PAL-N)	Analog	Xtal of PAL-N connection	
31	AVss (VCXO)	Analog Vss	Vss f or VCXO	
32	HD	CMOS input(5V)*1	Main picture HD input	
33	VD	CMOS input(5V)*1	MAIN picture VD input	
34	AVdd (DAC)	Analog Vdd	Vdd f or DAC	
35	OSDBIN	Analog	OSD input of B	
36	VOUT	Analog	Sub picture V or B output	
37	VZ	Analog	Voltage reference output of DAC	
38	OSDGIN	Analog	OSD input of G	
39	UOUT	Analog	Sub picture U or G output	
40	AVss (sub)	Analog Vss	Vss f or DAC	
41	OSDRIN	Analog	OSD input of R	
42	YOUT	Analog	Sub picture Y or R output	

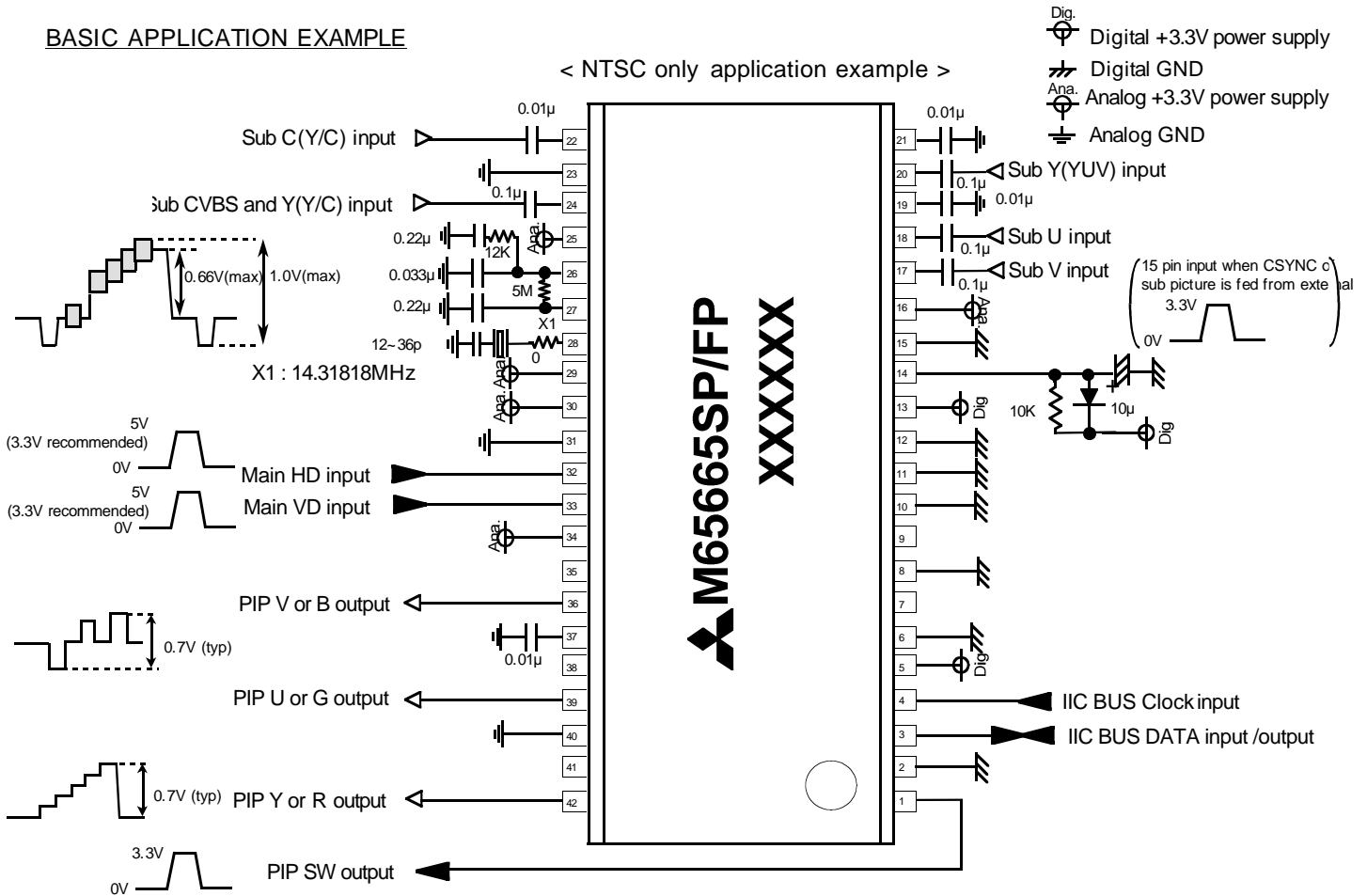
*1) (5V)means 5V I/F torelant

MITSUBISHI DIGITAL TV ICs M65665SP/FP

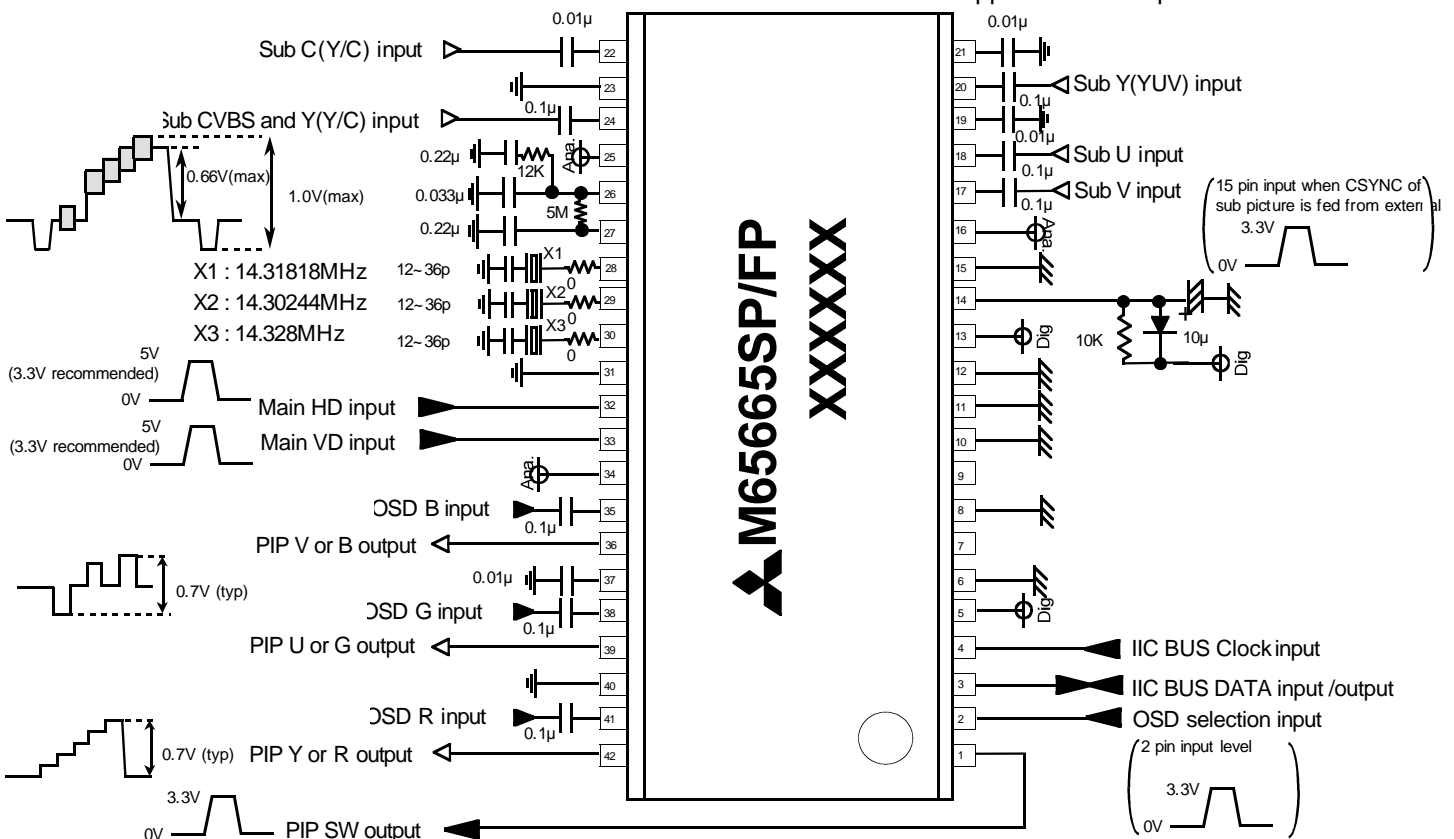
PICTURE-IN-PICTURE SIGNAL PROCESSING

BASIC APPLICATION EXAMPLE

< NTSC only application example >



< NTSC / PAL-M / PAL-N application example >

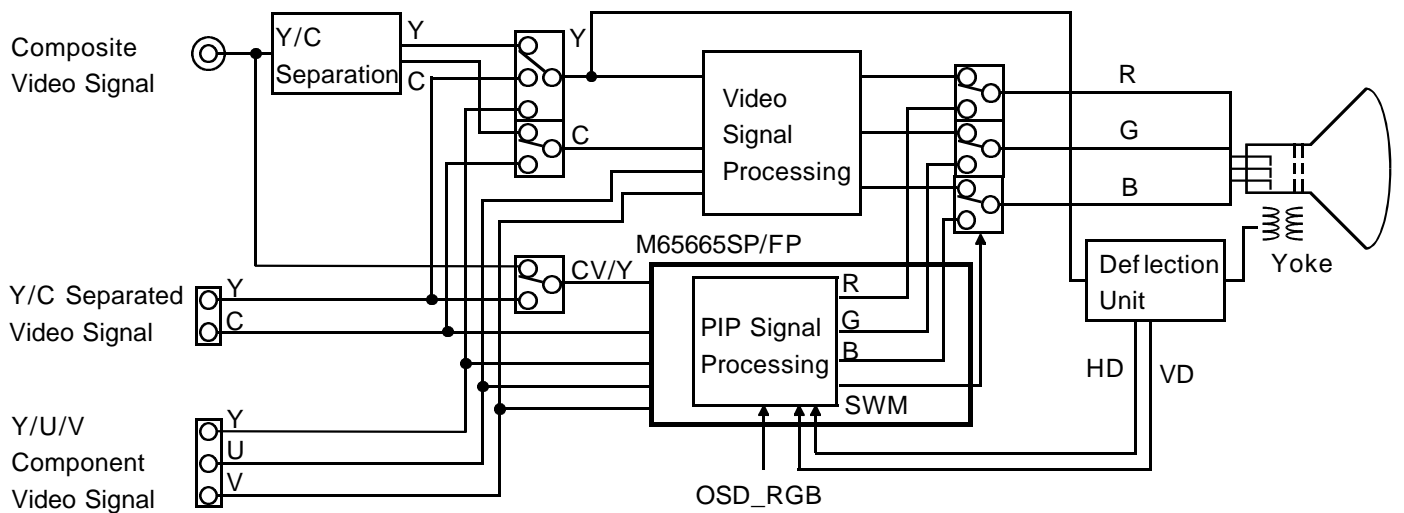
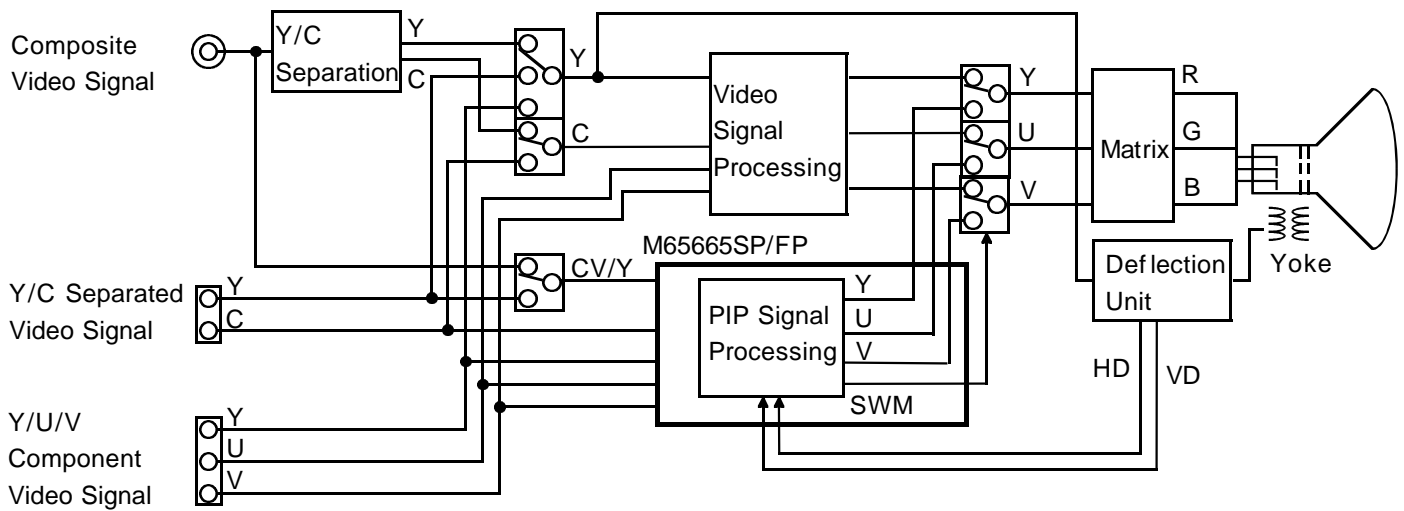


MITSUBISHI DIGITAL TV ICs M65665SP/FP

PICTURE-IN-PICTURE SIGNAL PROCESSING

M65665SP/FP TV SYSTEM BLOCK DIAGRAM

<BASIC >



MITSUBISHI DIGITAL TV ICs M65665SP/FP

PICTURE-IN-PICTURE SIGNAL PROCESSING

Internal register information (preliminary)

address	bit	symbol	Reset val.	1/9 ex.	remarks
00h	<7>	DISP	0	1	Sub picture display : [0] off, [1] on
	<6>	SIZE V	0	0	Sub picture vertical size : [0] 1/9, [1] 1/16
	<5>	SIZE H	0	0	Sub picture horizontal size : [0] 1/9, [1] 1/16
	<4>	WEN	0	1	Sub picture : [0] Still, [1] Moving
	<3>	BGC	0	0	Back ground display : [0] off, [1] on
	<2>	BGCS	0	0	Sub picture mute : [0] off, [1] on
	<1>	FREE RUN		0	VCXO oscilation : [0] Lock, [1] Free run
	<0>	RVS	0	0	HD/VD input synchronous mode selection : [0] sync., [1] async.
01h	<7:0>	VXA<7:0>		20h	Sub picture vertical position
02h	<7:0>	HXA<7:0>		20h	Sub picture horizontal position
03h	<7>	DECODE	0	0	Sub picture color decoder reset : [1] reset
	<6:0>	CONTRAST<6:0>		32h	Sub picture Y or R DAC output amplitude control
04h	<7>	KILLER	0	0	Sub picture color killer : [0] enable, [1] disable
	<6:0>	U_DAC<6:0>		32h	Sub picture U or G DAC output amplitude control
05h	<7>	GRC		1	Frame display : [0] off, [1] on
	<6>	YUVN_RGB_SEL	0	0	PIP output mode selection : [0] YUV, [1] RGB
	<5:0>	TINT<5:0>	00h	00h	Sub picture tint control
06h	<7:6>	EXT_SC_SEL<1:0>	0h	0h	Sub picture C-Sync sep. input selection : [0] Digital, [1] int. Auto slice [2] external (18 pin), [3] Int. analog
	<5:4>	DCONT<1:0>	0	0	Sub picture sync sep.threshold setting (analog/digital)
	<3:0>	HT<3:0>		Ah	Sub picture display timing adjust
07h	<7:6>	INPUT_SEL<1:0>		2h	Sub picture input selection : [0] YC, [1] N.A., [2]CVBS, [3] YUV
	<5:0>	BG_START<5:0>		0Eh	Sub picture BGP position setting
08h	<7:4>	ADJ<3:0>		2h	Main/Sub switch delay control
	<3:0>	YDL<3:0>		5h	Sub picture Y/C delay adjust
09h	<7:5>	BGBY<2:0>	0h	0h	Back ground U level setting
	<4:0>	Y_OFFSET<4:0>		0Fh	Sub picture Y bright control
0Ah	<7>	VCHIP_ONLY	0	0	V-chip decode mode : [0] off, [1] on
	<6:4>	BGRY<2:0>	0h	0h	Back ground V level setting
	<3:0>	BGY<3:0>		Ch	Back ground Y level setting
0Bh	<7:4>	PEDESTV<3:0>	0h	0h	Sub picture V pedestal level (2's comp)
	<3:0>	PEDESTU<3:0>	0h	0h	Sub picture U pedestal level (2's comp)
0Ch	<7>	UV_FILTER_OFF	0	0	Sub picture U, V output filter : [0]on, [1]off
	<6>	SET ACC	0	0	Address 0Dh, 0Eh setting mode : [0]default, [1] enable to set
	<5:4>	SYSTEM_MODE<1:0>	0h	0h	System : [0]NTSC, [1]PAL-M, [2]PAL-N, [3] N.A.
	<3>	SET SIZE	0	0	Address 11h - 14h setting mode : [0]default, [1] enable to set
	<2>	SET VCHIP	0	0	Address 15h - 17h setting mode : [0]default, [1] enable to set
<1:0>	SYNC_DELAY<1:0>	0	0	Sub picture sync.delay control	
0Dh	<7:4>	YUV_COL<3:0>	0h	0h	Sub picture color control parameter when YUV input
	<3>	C_GAIN_SEL	0	0	Sub picture chroma : [0] x1, [1] x2
	<2>	WDOF_KILLER_ON	0h	0h	Sub picture killer on when its vert. sync lost : [0] on, [1] off
	<1>	EDGE_RES	0h	0h	for test : 0 set only
	<0>	CVF	0h	0h	Internal chroma comb filter : [0] on : [1] off
0Eh	<7>	BITSEL	0	0	Sub picture Y clamp time constant : [0] x2, [1] x1
	<6>	AFCBITSEL	0	0	Sub picture AFC time constant : [0] x2, [1] x1
	<5:0>	ACC_LEVEL<5:0>		15h	Sub picture color decoder amplitude
0Fh	<7>	AUTO_ENABLE	0	0	System automatic judgment : [0] off, [1] on
	<6>	BURST_CLOCK_MODE	0	0	VCXO mode selection : [0] 1H based, [1] 2H based
	<5>	PALN_DISABLE	0	0	Main picture PAL-N : [0] enable, [1] disable
	<4>	INV_WFF	0	0	Invert sub picture field definition : [0] normal, [1] invert
	<3>	INV_RFF	0	0	Invert main picture field definition : [0] normal, [1] invert
	<2>	VMODE	0	0	Vertical display modewhen PAL-N input : [0] normal, [1] wide
	<1>	RFF_FIX	0	0	Main picture field fix : [0] not fix, [1]fix
<0>	AUTO RFF_FIX	0	1	Automatic 50/60Hz Judgment : [0] enable, [1] disable	

MITSUBISHI DIGITAL TV ICs M65665SP/FP

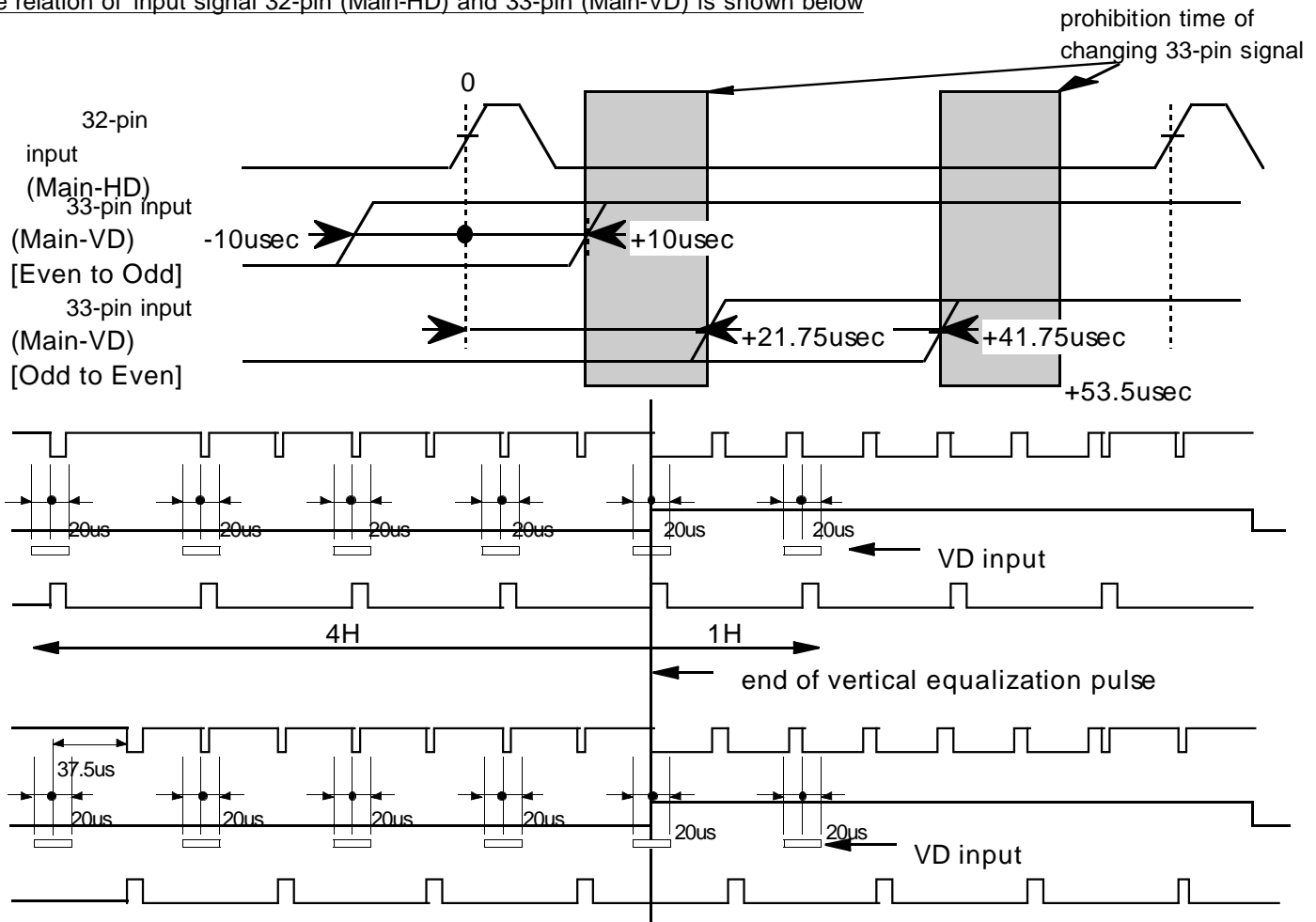
PICTURE-IN-PICTURE SIGNAL PROCESSING

Internal register information (continuing) (preliminary)

address	bit	symbol	Reset val.	1/9 ex.	remarks
10h	<7:6>	NO_BST_LEVEL	0	0	for test
	<5:4>	BW_DET_LEVEL	0	0	BW det. threshold setting : [0] off, [1] 16mV, [2] 32mV, [3] 64mV
	<3:0>	PALRY<3:0>	00h	00h	Threshold control of ident judgment of sub picture decoder
11h	<7>	CROSS_SEL	0	0	Sub picture read mode : [0] pixel based, [1] H based
	<6:0>	HYA<6:0>		37h	Sub picture horizontal display pixel
12h	<7:0>	VYA<7:0>		44h	Sub picture vertical display line number
13h	<7:2>	HX<5:0>		1Eh	Sub picture horizontal capture position (coarse)
	<1:0>	HP<1:0>	0h	0h	Sub picture horizontal capture position (fine)
14h	<7:6>	MVC<1:0>	0h	0h	Sub picture C-sync input mask period : [0] 48us, [1] 44us, [2] 53us, [3] off
	<5:0>	VXS<5:0>		29h	Sub picture sample start line
15h	<7>	-	0	0	for test : 0 set only
	<6>	PLUS	0	0	for test : 0 set only
	<5>	-	0	0	for test : 0 set only
	<4:0>	LINE_NUM<4:0>		11h	Data slicer line selection
16h	<7:0>	STB_DLY<7:0>		40h	Data slicer start bit detection parameter
17h	<7:0>	L_LEVEL<7:0>		82h	Data slicer data slice parameter
18h	<7>	EDGE_ON	0	0	Frame data independent control : [0] disable, [1] enable
	<6:4>	BGBY_EDGE<2:0>	0h	0h	Frame data independent B-Y data setting
	<3:0>	BGY_EDGE<3:0>		0h	Frame data independent Y data setting
19h	<7:5>	BGRY_EDGE<2:0>	0h	0h	Frame data independent R-Y data setting
	<4>	HPFOFF	0	0	Sub picture Y output HPF : [0]on, [1]off
	<3:0>	FREE_RUN_ADJ<3:0>	0h	0h	Frequency adjustment control when free run mode (2's comp)
1Ah	<7:0>	SUB_PALM_JDGE<7:0>	0h	0h	Parameter setting for PAL-M judgment
1Bh	<7:6>	EXPORT<1:0>	0h	0h	Ext. port (7 pin) : [0]"0" output, [1]"1" output [2or3] Sub BGP
	<5>	INV_UV	0h	0h	Invert U, V output value : [0] normal, [1] invert
	<4>	AFC_OFF	0h	0h	Sub picture AFC : [0] on, [1] off
	<3:0>	HADJ<3:0>	0h	0h	Parameter setting for PAL-M judgment
1Ch	<7>	PINOE	0	0	for test
	<6:0>	V_DAC<6:0>	0h	32h	Sub picture V or B DAC output amplitude control
1Dh	<7:0>	PINOE<7:0>		E6h	for test
1Eh	<7:0>	-			No assignment
1Fh	<7:6>	SYSTEM_STATE<1:0>			Color state : [0] NTSC, [1] PAL-M, [2] PAL-N, [3]N.A.(Read only)
	<5>	MAIN_PALN			Main is : [0] not PAL-N, [1] PAL-N (Read only)
	<4>	SUB_UNLOCK			VCXO is : [0] Lock, [1] Unlock (Read only)
	<3>	SUB_PALN			Sub is : [0] not PAL-N, [1] PAL-N (Read only)
	<2>	RDOF			Main picture V sync is : [0] present, [1] not present (Read only)
	<1>	MAIN_BW			Test use; Always '1' when 10h<5:4> = "00" (Read only)
	<0>	WDOF			Sub picture V sync is : [0] present, [1] not present (Read only)
20h	<7:6>	NOISE<1:0>			Test use (Read only)
	<5>	WDOF			Sub picture vertical sync detection (Read only)
	<4>	EDS_ACK2			EDS data flag of even field : [0] no EDS, [1] EDS (Read only)
	<3>	EDS_ACK1			EDS data flag of odd field : [0] no EDS, [1] EDS (Read only)
	<2>	SIGNAL_OK			Test use (Read only)
	<1>	READ_REQB			Read request of even field : [0] no, [1] requesting (Read only)
	<0>	READ_REQA			Read request of odd field : [0] no, [1] requesting (Read only)
21h	<7:0>	PDB<15:8>			Even field Sliced data upper 8 bit (Read only)
22h	<7:0>	PDB<7:0>			Even field Sliced data lower 8 bit (Read only)
23h	<7:0>	PDA<15:8>			Odd field Sliced data upper 8 bit (Read only)
24h	<7:0>	PDA<7:0>			Odd field Sliced data lower 8 bit (Read only)

PICTURE-IN-PICTURE SIGNAL PROCESSING

The relation of input signal 32-pin (Main-HD) and 33-pin (Main-VD) is shown below



Driving Method and Operating Specification for Serial Interface Data

(1) Serial data transmission completion and start

A low-to-high transition of the DATA (serial data) line while the CLK (serial clock) is high, that completes the serial transmission and makes the bus free.

A high-to-low transition of the DATA line while the CLK is high, that starts the serial transmission and waits for the following CLK and DATA inputs.

(2) Serial data transmission

The data are transmitted in the most significant bit (MSB) first by one-byte unit on the DATA line successively. One-byte data transmission is completed by 9 clock cycles, the former 8 cycles are for address/data and the latter one is for acknowledge detection. (In reading state, ACK is 'H' under these two conditions ; 1) the coincidence of two address data for the address data transmission, 2) the completion of 8-bit setting data transfer. In writing state, ACK is 'H' with the address coincidence and ACK is 'L' for detecting acknowledge input from the master (micro processor) after sending 8-bit setting data.)

For address/data transmission, DATA must change while CLK is 'L'. (The data change while CLK is 'H' or the simultaneous change of CLK and DATA, that will be a false operation because of undistinguished condition from the completion/start of serial data transfer).

After the beginning of serial data transmission, the total number of data bytes that can be transferred are not limited.

(3) The byte format of data transmission (The sequence of data transmission)

a. The byte format during data setting to M65665FP are shown as follows.

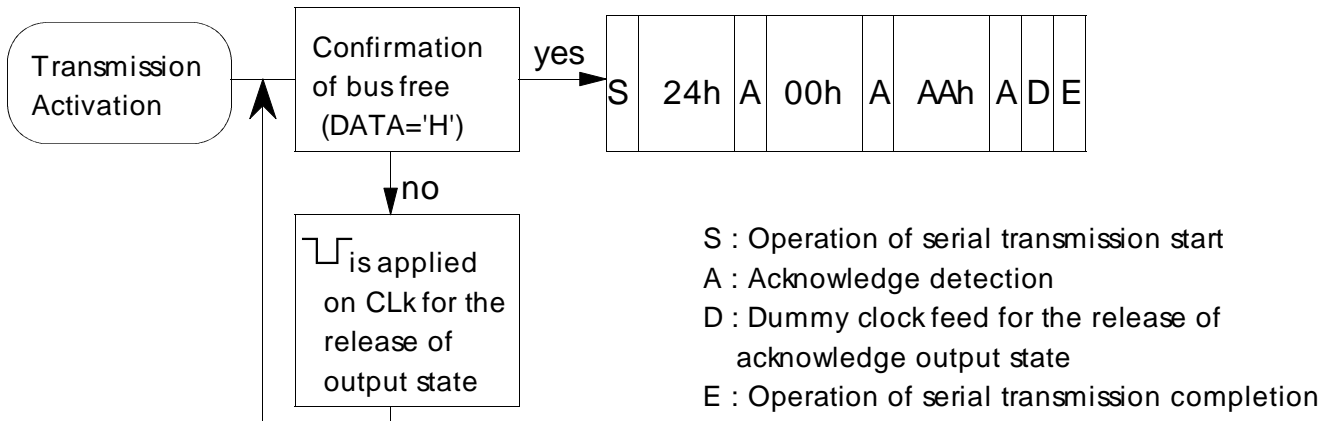
In right after the forming of serial data transmitting state, the slave address 24h (00100100b) is transferred. Afterwards, the internal register address (1 byte) and setting data (by 1 byte unit) are transferred successively. Several bytes of setting data can be handled in the one transmission. In this operation, the setting data are written into the address register whose address is increased one in initially transferred internal register address.

b. The byte format during data reading from M65665FP are shown as follows.

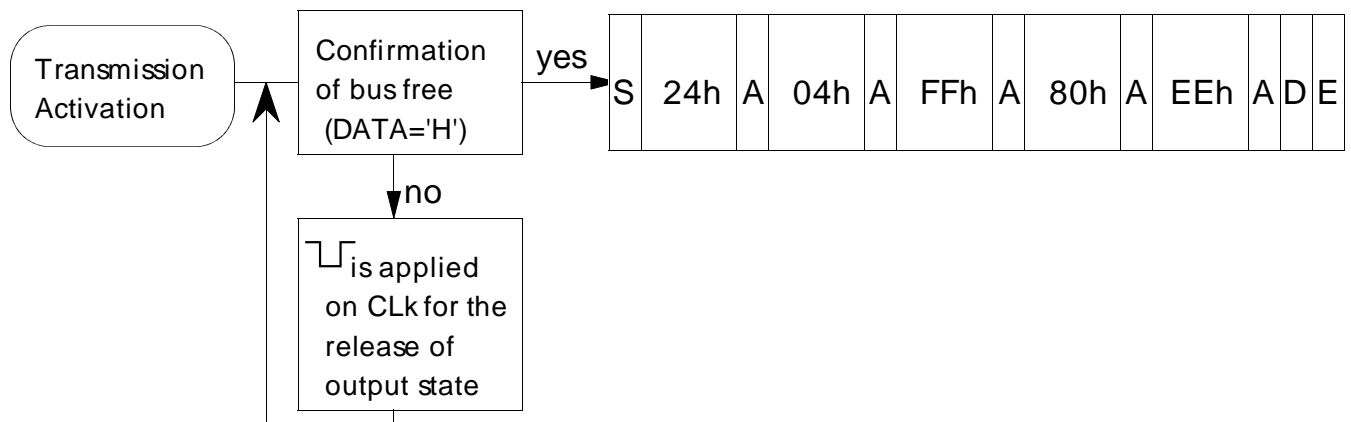
Before data reading from M65665FP, whose internal address need to be set by the data reading/transmitting. After the data reading/transmitting, the operation of "serial data transmission completion and start" (described in (1)) is necessary. Continuously, the slave address 25h (00100101b) is sent, and then the inverted read out data are available on ACK. Several bytes of writing data can be handled in the one transmission, too. In this operation, the setting data also are written into the address register whose address is increased one in initially transferred internal register address.

<The examples of serial byte transmission format>

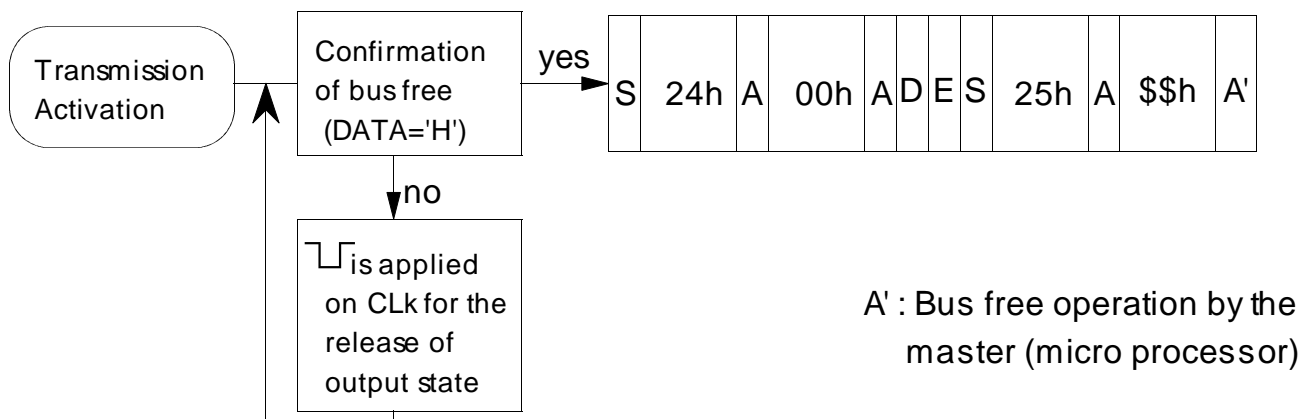
(1) The writing operation of the setting data (AAh) into M65665FP internal address of 00h



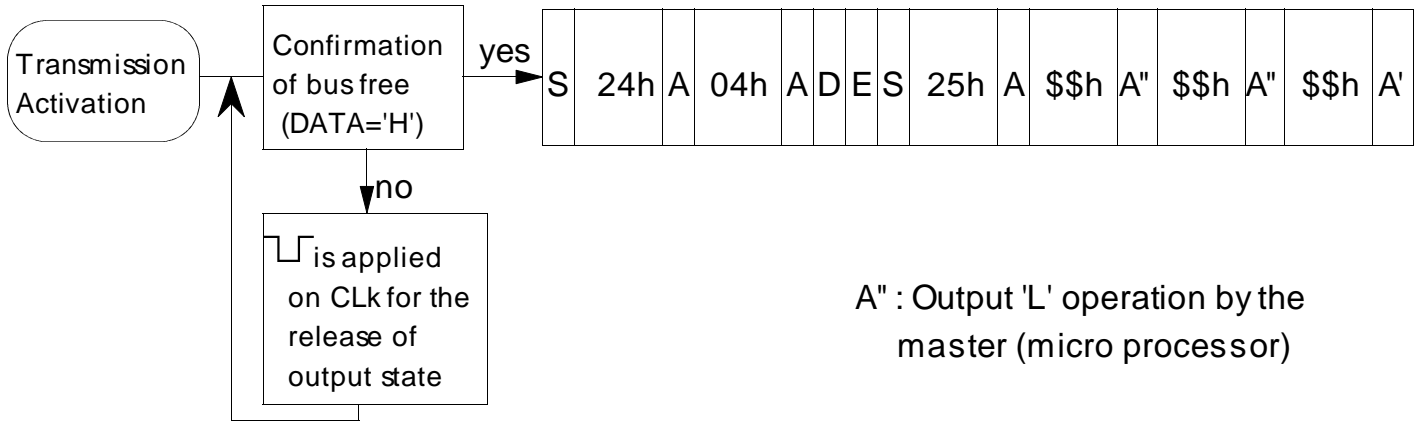
(2) The writing operation of the setting data (FFh, 80h, EEh) into M65665FP internal address of 04h ~ 06h



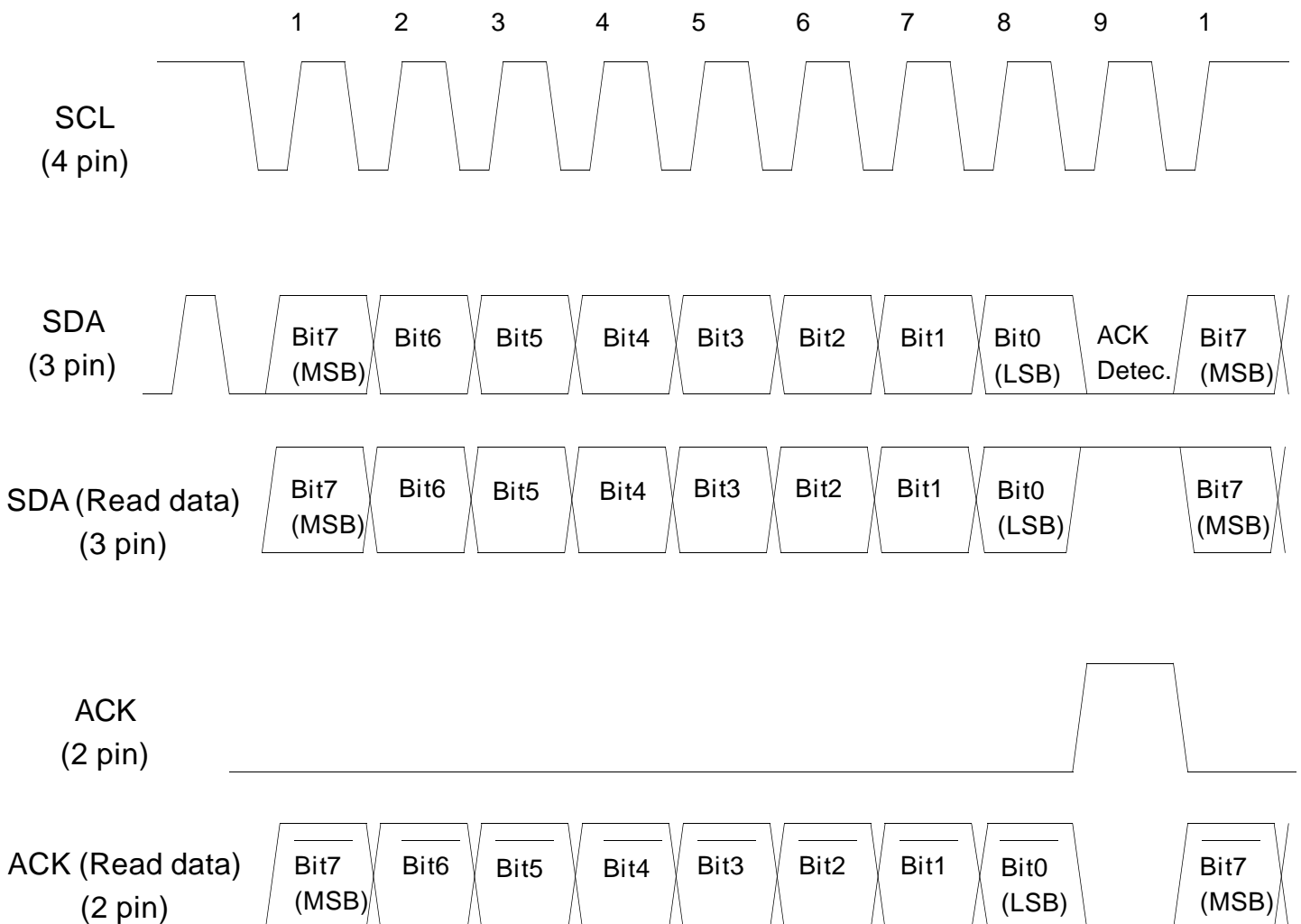
(3) The reading operation of the setting data from M65665FP internal address of 00h



(4) The reading operation of the setting data from M65665FP internal address of 04h ~ 06h



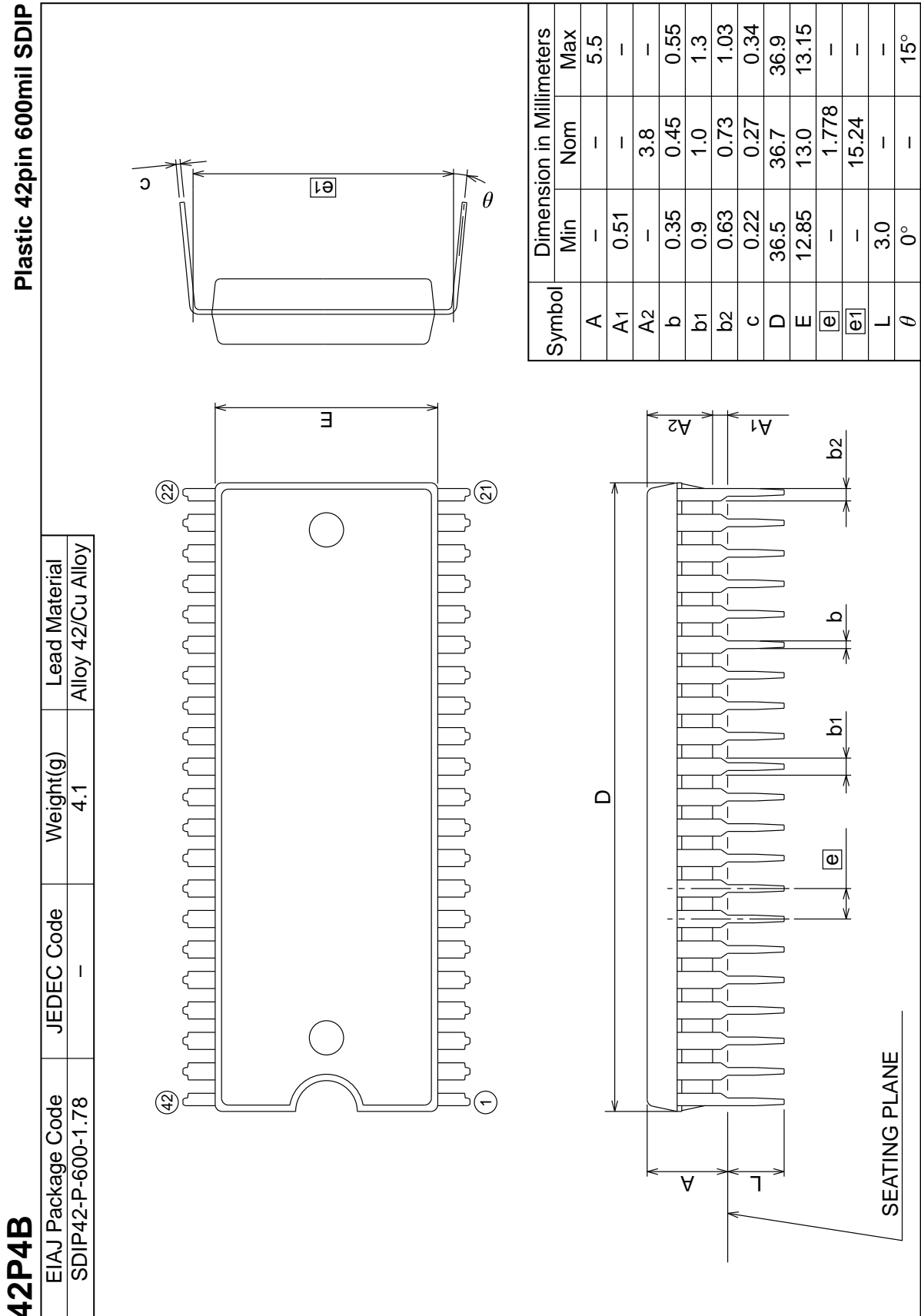
<Timing Diagram>



MITSUBISHI DIGITAL TV ICs M65665SP/FP

PICTURE-IN-PICTURE SIGNAL PROCESSING

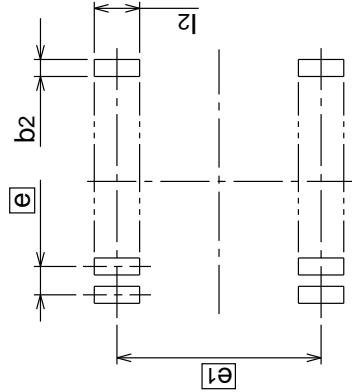
DETAILED DIAGRAM OF PACKAGE OUTLINE



Plastic 42pin 450mil SSOP

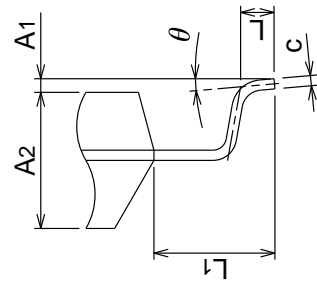
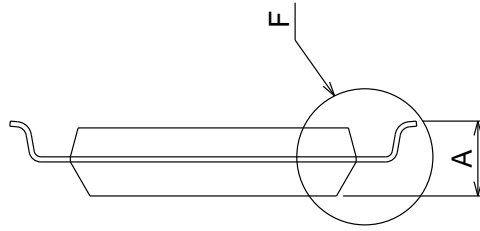
42P2R-A

EIAJ Package Code SSOP42-P-450-0.80	JEDEC Code -	Weight(g) 0.63	Lead Material Alloy 42/Cu Alloy
--	-----------------	-------------------	------------------------------------

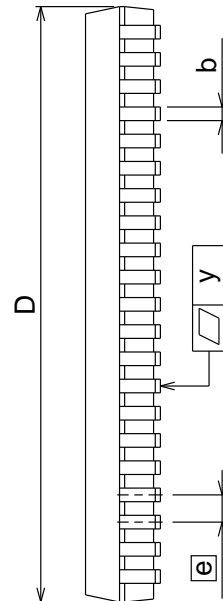
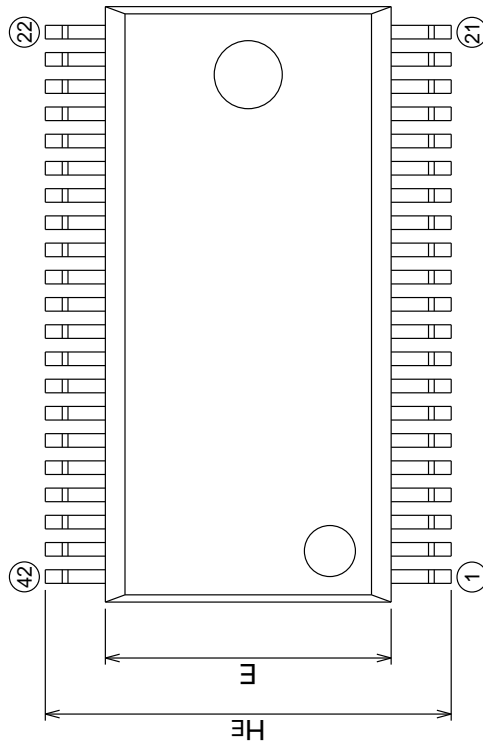


Recommended Mount Pad

Symbol	Dimension in Millimeters		
	Min	Nom	Max
A	-	-	2.4
A1	0.05	-	-
A2	-	2.0	-
b	0.35	0.4	0.5
c	0.13	0.15	0.2
D	17.3	17.5	17.7
E	8.2	8.4	8.6
e	-	0.8	-
HE	11.63	11.93	12.23
L	0.3	0.5	0.7
L1	-	1.765	-
y	-	-	0.15
θ	0°	-	10°
b2	-	0.5	-
e1	-	11.43	-
l2	1.27	-	-



Detail F



Keep safety first in your circuit designs!

●Mitsubishi Electric Corporation puts the maximum effort into making semiconductor products better and more reliable, but there is always the possibility that trouble may occur with them. Trouble with semiconductors may lead to personal injury, fire or property damage. Remember to give due consideration to safety when making your circuit designs, with appropriate measures such as (i) placement of substitutive, auxiliary circuits, (ii) use of non-flammable material or (iii) prevention against any malfunction or mishap.

Notes regarding these materials

●These materials are intended as a reference to assist our customers in the selection of the Mitsubishi semiconductor product best suited to the customer's application; they do not convey any license under any intellectual property rights, or any other rights, belonging to Mitsubishi Electric Corporation or a third party.

●Mitsubishi Electric Corporation assumes no responsibility for any damage, or infringement of any third-party's rights, originating in the use of any product data, diagrams, charts, programs, algorithms, or circuit application examples contained in these materials.

●All information contained in these materials, including product data, diagrams, charts, programs and algorithms represents information on products at the time of publication of these materials, and are subject to change by Mitsubishi Electric Corporation without notice due to product improvements or other reasons. It is therefore recommended that customers contact Mitsubishi Electric Corporation or an authorized Mitsubishi Semiconductor product distributor for the latest product information before purchasing a product listed herein. The information described here may contain technical inaccuracies or typographical errors. Mitsubishi Electric Corporation assumes no responsibility for any damage, liability, or other loss rising from these inaccuracies or errors.

Please also pay attention to information published by Mitsubishi Electric Corporation by various means, including the Mitsubishi Semiconductor home page (<http://www.mitsubishichips.com>).

●When using any or all of the information contained in these materials, including product data, diagrams, charts, programs, and algorithms, please be sure to evaluate all information as a total system before making a final decision on the applicability of the information and products. Mitsubishi Electric Corporation assumes no responsibility for any damage, liability or other loss resulting from the information contained herein.

●Mitsubishi Electric Corporation semiconductors are not designed or manufactured for use in a device or system that is used under circumstances in which human life is potentially at stake. Please contact Mitsubishi Electric Corporation or an authorized Mitsubishi Semiconductor product distributor when considering the use of a product contained herein for any specific purposes, such as apparatus or systems for transportation, vehicular, medical, aerospace, nuclear, or undersea repeater use.

●The prior written approval of Mitsubishi Electric Corporation is necessary to reprint or reproduce in whole or in part these materials.

●If these products or technologies are subject to the Japanese export control restrictions, they must be exported under a license from the Japanese government and cannot be imported into a country other than the approved destination.

Any diversion or reexport contrary to the export control laws and regulations of Japan and/or the country of destination is prohibited.

●Please contact Mitsubishi Electric Corporation or an authorized Mitsubishi Semiconductor product distributor for further details on these materials or the products contained therein.