

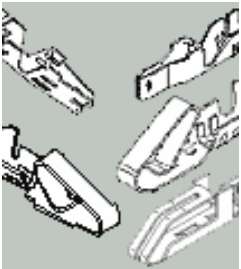


Products

Search By:

Enter Molex Part No.

- English
- Español
- Français
- Italiano
- Deutsch
- Português
- По Русски
- 中文显示
- 日本語
- 한국어



Datasheet
Crimp Terminals

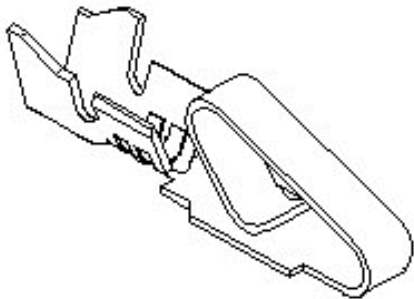
[[Home](#) > [Products](#) > [Terminals](#) > [Datasheet](#)]

08-50-0105

3.96mm (.156") Pitch KK® Crimp Terminal 2478, 18-24 AWG, Reel, Brass Tin (Sn)

[View all parts in series 2478](#)
[2D Dimensions](#)
[Email this page](#)
[Samples](#)
[Buy](#)

Status	Active
Product Name	KK®
Molex Series	2478
Gender	Female
Wire Size [AWG]	18, 20, 22, 24
Wire Insulation Diameter	2.79mm (.110") max.
Packaging	Reel
RELATED PRODUCTS	
Use With	2139 , 2574 , 3068 , 41695 , 5239 , 5265 , 6422
PHYSICAL	
Contact	Brass (CuZn)
Plating Contact	Tin (Sn)
Plating in Crimp Area	Tin (Sn)
Plating Thickness	2.5µm (100µ")
REFERENCE	
Mating Pins	1.14mm (.045") Round Pin, 1.14mm (.045") Square Pin
Termination	Good Crimps
990 Catalog Page	J-62
MX01 Catalog Page	D-3, L-52
Old Part Number	2478-1-(P909)



This part is ELV and RoHS COMPLIANT

ENVIRONMENT

[RoHS Compliant](#) Yes

Features and Benefits

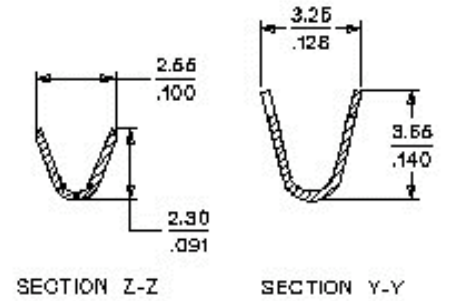
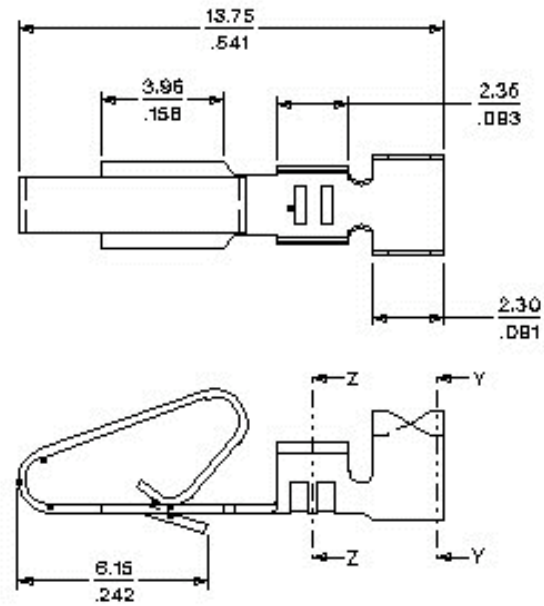
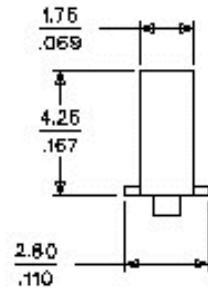
- For 3.96mm (.156") pitch housings
- Patented double cantilever design
- Maximum current 5.0A using 18 AWG wire
- Complete line of terminal crimping equipment available

Related Products

APPLICATION TOOLING		
Region	Description	Product Number
Americas	Extraction Tool	11-03-0016
	Mini-Mac Applicator	11-18-2236
	Terminator Die	11-40-2096
Asia	Hand Extraction Tool	57092-6000
Europe	PP3 Applicator, Left Hand Feed, for 2478T Terminals, 18-24awg.	69015-7000
	Mini-Mac Fully Tooled	69037-1209

2 D D R A W I N G - For reference only. See technical [Drawing \(PDF\)](#) for design-in purposes.

Contact Material Thickness	0.27mm (.011")
----------------------------------	-------------------



© Copyright 2005 Molex Incorporated