

# 50V CERAMIC DISC

## 89000 SERIES

The 89000 series is a range of insulated disc, monolithic fixed ceramic capacitors. They are most commonly used in consumer electronics and telecommunication equipment.

### RATINGS

**Capacitance Range:** 1.0pf to 0.10 $\mu$ f (100,000pf)

**Voltage:** 50 Volts DC

**Withstand Voltage:** 150 Volts DC

### PERFORMANCE SPECIFICATIONS

**Operating Temperature Range:**

-25°C to +85°C (-13°F to +185°F)

**Tolerance Range:**

8901D0-89010	$\pm 0.5$ pf
89012-89312	$\pm 10\%$
89315	$\pm 20\%$
89322-89410	+80%, -20%

**Temperature Coefficient:**

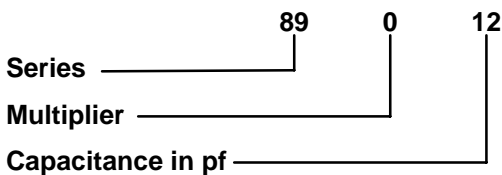
8901D0-89110	- NPO (Stable)
89112-89310	- YSP ( $\pm 10\%$ )
89312-89315	- Y5R ( $\pm 15\%$ )
89322-89410	- Y5V (+30% - 80%)

**Insulation Resistance:** 10,000M $\Omega$  Min,  
but, 5,000M $\Omega$  Min for capacitance over  
0.020 $\mu$ f

### 89000 Series Dimensions (Figure 2)

Cap pf	D $\emptyset$ mm	T mm	S mm	Cap pf	D $\emptyset$ mm	T mm	S mm
1.0pf	4	4	2.5	220pf	4	4	2.5
1.5pf	4	4	2.5	330pf	4	4	2.5
2.0pf	4	4	2.5	470pf	4	4	2.5
3.0pf	4	4	2.5	680pf	4	4	2.5
5.0pf	4	4	2.5	820pf	5	4	2.5
6.0pf	4	4	2.5	1000pf	5	4	2.5
7.0pf	4	4	2.5	1200pf	5	4	2.5
8.0pf	4	4	2.5	1500pf	5	4	2.5
10pf	4	4	2.5	2200pf	5	4	2.5
12pf	4	4	2.5	3300pf	8	4	5.1
15pf	4	4	2.5	4700pf	8	4	5.1
18pf	5	4	2.5	5600pf	9.5	4	5.1
22pf	5	4	2.5	6800pf	9.5	4	5.1
33pf	5	4	2.5	8200pf	10.5	3	5.1
39pf	6.3	4	5.1	0.01 $\mu$ f	12.5	3	5.1
47pf	6.3	4	5.1	0.012 $\mu$ f	6.3	4	5.1
56pf	6.3	4	5.1	0.015 $\mu$ f	6.3	4	5.1
68pf	8	4	5.1	0.022 $\mu$ f	8	4	5.1
82pf	8	4	5.1	0.047 $\mu$ f	12.5	4	5.1
100pf	8	4	5.1	0.068 $\mu$ f	12.25	3.25	7.5
120pf	4	4	2.5	0.10 $\mu$ f	7.3	3.25	4.5

### ORDERING INFORMATION



Example: 8901D5 = 1.5pf  
89012 = 12pf  
89112 = 120pf

### MARKING EXAMPLE

Example: 150pf = 151  
1500pf = 152  
0.015 $\mu$ f = 153

Figure 1

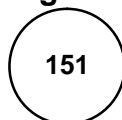
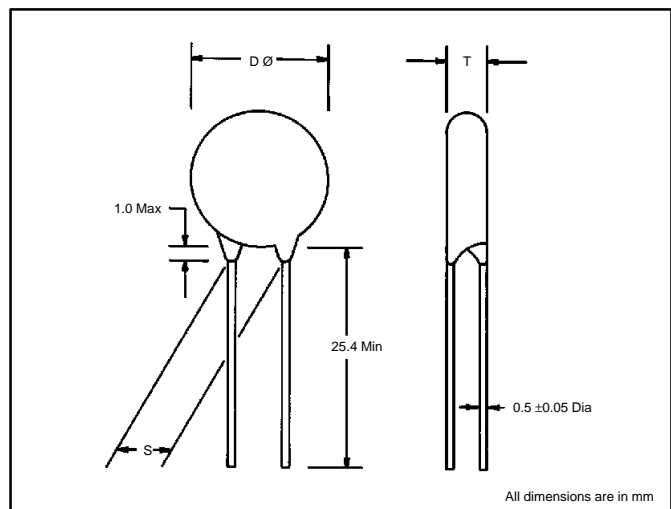


Figure 2



All dimensions are in mm