

74VCXH16374

Low-Voltage 1.8/2.5/3.3V 16-Bit D-Type Flip-Flop With 3.6V-Tolerant Inputs and Outputs (3-State, Non-Inverting)

The 74VCXH16374 is an advanced performance, non-inverting 16-bit D-type flip-flop. It is designed for very high-speed, very low-power operation in 1.8V, 2.5V or 3.3V systems. The VCXH16374 is byte controlled, with each byte functioning identically, but independently. Each byte has separate Output Enable and Clock Pulse inputs. These control pins can be tied together for full 16-bit operation.

When operating at 2.5V (or 1.8V) the part is designed to tolerate voltages it may encounter on either inputs or outputs when interfacing to 3.3V busses. It is guaranteed to be over-voltage tolerant to 3.6V.

The 74VCXH16374 consists of 16 edge-triggered flip-flops with individual D-type inputs and 3.6V-tolerant 3-state outputs. The clocks (CPn) and Output Enables ($\overline{OE}n$) are common to all flip-flops within the respective byte. The flip-flops will store the state of individual D inputs that meet the setup and hold time requirements on the LOW-to-HIGH Clock (CP) transition. With the \overline{OE} LOW, the contents of the flip-flops are available at the outputs. When the \overline{OE} is HIGH, the outputs go to the high impedance state. The \overline{OE} input level does not affect the operation of the flip-flops. The data inputs include active bushold circuitry, eliminating the need for external pull-up resistors to hold unused or floating inputs at a valid logic state.

- Designed for Low Voltage Operation: $V_{CC} = 1.65\text{--}3.6\text{V}$
- 3.6V Tolerant Inputs and Outputs
- High Speed Operation: 3.0ns max for 3.0 to 3.6V
3.9ns max for 2.3 to 2.7V
7.8ns max for 1.65 to 1.95V
- Static Drive: $\pm 24\text{mA}$ Drive at 3.0V
 $\pm 18\text{mA}$ Drive at 2.3V
 $\pm 6\text{mA}$ Drive at 1.65V
- Supports Live Insertion and Withdrawal
- Includes Active Bushold to Hold Unused or Floating Inputs at a Valid Logic State
- I_{OFF} Specification Guarantees High Impedance When $V_{CC} = 0\text{V}^\dagger$
- Near Zero Static Supply Current in All Three Logic States (20 μA)
Substantially Reduces System Power Requirements
- Latchup Performance Exceeds $\pm 250\text{mA}$ @ 125°C
- ESD Performance: Human Body Model >2000V; Machine Model >200V

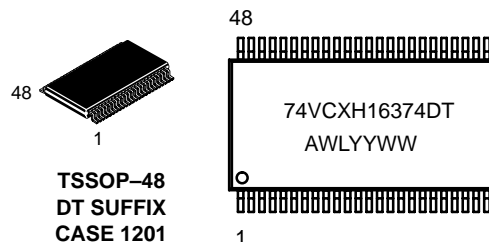
\dagger NOTE: To ensure the outputs activate in the 3-state condition, the output enable pins should be connected to V_{CC} through a pull-up resistor. The value of the resistor is determined by the current sinking capability of the output connected to the OE pin.



ON Semiconductor

<http://onsemi.com>

MARKING DIAGRAM



A = Assembly Location
WL = Wafer Lot
YY = Year
WW = Work Week

PIN NAMES

| Pins | Function |
|------------------|----------------------|
| $\overline{OE}n$ | Output Enable Inputs |
| CPn | Clock Pulse Inputs |
| D0-D15 | Inputs |
| O0-O15 | Outputs |

ORDERING INFORMATION

| Device | Package | Shipping |
|----------------|---------|-------------|
| 74VCXH16374DT | TSSOP | 39 / Rail |
| 74VCXH16374DTR | TSSOP | 2500 / Reel |

74VCXH16374

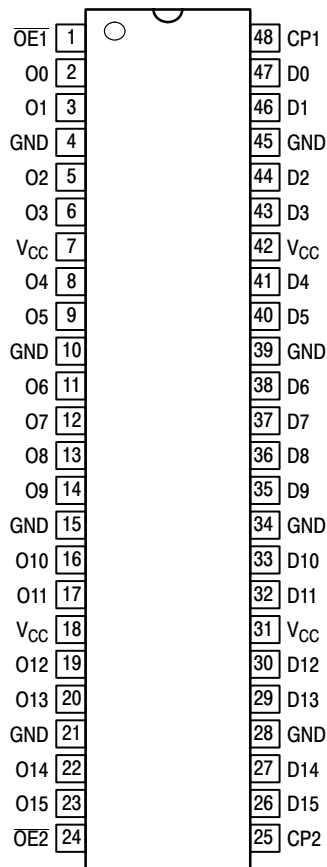


Figure 1. 48-Lead Pinout (Top View)

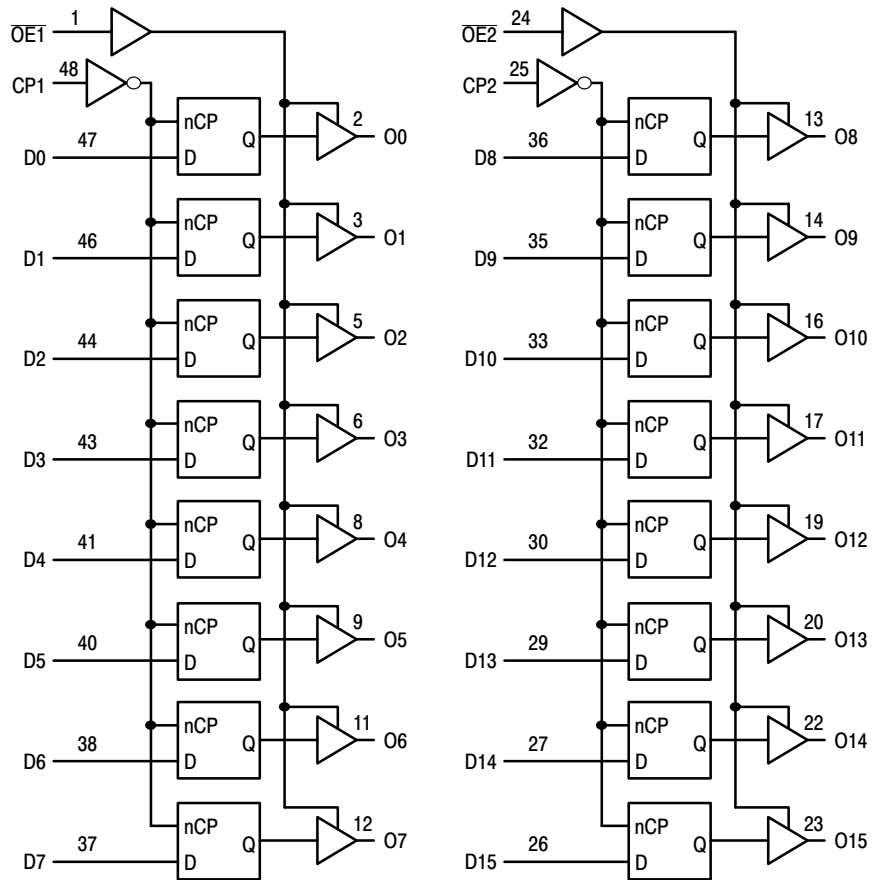


Figure 2. Logic Diagram

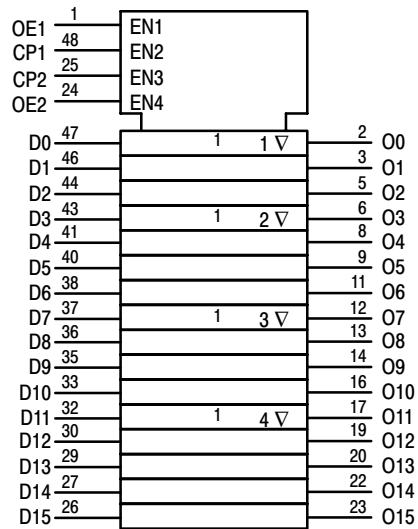


Figure 3. IEC Logic Diagram

| Inputs | | | Outputs | Inputs | | | Outputs |
|--------|-----|------|---------|--------|-----|-------|---------|
| CP1 | OE1 | D0:7 | O0:7 | CP2 | OE2 | D8:15 | O8:15 |
| ↑ | L | H | H | ↑ | L | H | H |
| ↑ | L | L | L | ↑ | L | L | L |
| X | L | X | O0 | X | L | X | O0 |
| X | H | X | Z | X | H | X | Z |

H = High Voltage Level; L = Low Voltage Level; Z = High Impedance State; ↑ = Low-to-High Transition; X = High or Low Voltage Level and Transitions Are Acceptable, for I_{CC} reasons, DO NOT FLOAT Inputs. O0 = No Change.

74VCXH16374

ABSOLUTE MAXIMUM RATINGS*

| Symbol | Parameter | Value | Condition | Unit |
|-----------|----------------------------------|-----------------------------------|-------------------------|------|
| V_{CC} | DC Supply Voltage | -0.5 to +4.6 | | V |
| V_I | DC Input Voltage | $-0.5 \leq V_I \leq +4.6$ | | V |
| V_O | DC Output Voltage | $-0.5 \leq V_O \leq +4.6$ | Output in 3-State | V |
| | | $-0.5 \leq V_O \leq V_{CC} + 0.5$ | Note 1.; Outputs Active | V |
| I_{IK} | DC Input Diode Current | -50 | $V_I < \text{GND}$ | mA |
| I_{OK} | DC Output Diode Current | -50 | $V_O < \text{GND}$ | mA |
| | | +50 | $V_O > V_{CC}$ | mA |
| I_O | DC Output Source/Sink Current | ± 50 | | mA |
| I_{CC} | DC Supply Current Per Supply Pin | ± 100 | | mA |
| I_{GND} | DC Ground Current Per Ground Pin | ± 100 | | mA |
| T_{STG} | Storage Temperature Range | -65 to +150 | | °C |

* Absolute maximum continuous ratings are those values beyond which damage to the device may occur. Exposure to these conditions or conditions beyond those indicated may adversely affect device reliability. Functional operation under absolute-maximum-rated conditions is not implied.

1. I_O absolute maximum rating must be observed.

RECOMMENDED OPERATING CONDITIONS

| Symbol | Parameter | Min | Typ | Max | Unit | |
|---------------------|---|---------------------|------|-----|----------|---|
| V_{CC} | Supply Voltage | Operating | 1.65 | 3.3 | 3.6 | V |
| | | Data Retention Only | 1.2 | 3.3 | 3.6 | |
| V_I | Input Voltage | -0.3 | | 3.6 | V | |
| V_O | Output Voltage | (Active State) | 0 | | V_{CC} | V |
| | | (3-State) | 0 | | 3.6 | |
| I_{OH} | HIGH Level Output Current, $V_{CC} = 3.0V - 3.6V$ | | | -24 | mA | |
| I_{OL} | LOW Level Output Current, $V_{CC} = 3.0V - 3.6V$ | | | 24 | mA | |
| I_{OH} | HIGH Level Output Current, $V_{CC} = 2.3V - 2.7V$ | | | -18 | mA | |
| I_{OL} | LOW Level Output Current, $V_{CC} = 2.3V - 2.7V$ | | | 18 | mA | |
| I_{OH} | HIGH Level Output Current, $V_{CC} = 1.65 - 1.95V$ | | | -6 | mA | |
| I_{OL} | LOW Level Output Current, $V_{CC} = 1.65 - 1.95V$ | | | 6 | mA | |
| T_A | Operating Free-Air Temperature | -40 | | +85 | °C | |
| $\Delta t/\Delta V$ | Input Transition Rise or Fall Rate, V_{IN} from 0.8V to 2.0V, $V_{CC} = 3.0V$ | 0 | | 10 | ns/V | |

74VCXH16374

DC ELECTRICAL CHARACTERISTICS

| Symbol | Characteristic | Condition | T _A = -40°C to +85°C | | Unit |
|----------------------|---|--|---------------------------------|------------------------|------|
| | | | Min | Max | |
| V _{IH} | HIGH Level Input Voltage (Note 2.) | 1.65V ≤ V _{CC} < 2.3V | 0.65 x V _{CC} | | V |
| | | 2.3V ≤ V _{CC} ≤ 2.7V | 1.6 | | |
| | | 2.7V < V _{CC} ≤ 3.6V | 2.0 | | |
| V _{IL} | LOW Level Input Voltage (Note 2.) | 1.65V ≤ V _{CC} < 2.3V | | 0.35 x V _{CC} | V |
| | | 2.3V ≤ V _{CC} ≤ 2.7V | | 0.7 | |
| | | 2.7V < V _{CC} ≤ 3.6V | | 0.8 | |
| V _{OH} | HIGH Level Output Voltage | 1.65V ≤ V _{CC} ≤ 3.6V; I _{OH} = -100μA | V _{CC} - 0.2 | | V |
| | | V _{CC} = 1.65V; I _{OH} = -6mA | 1.25 | | |
| | | V _{CC} = 2.3V; I _{OH} = -6mA | 2.0 | | |
| | | V _{CC} = 2.3V; I _{OH} = -12mA | 1.8 | | |
| | | V _{CC} = 2.3V; I _{OH} = -18mA | 1.7 | | |
| | | V _{CC} = 2.7V; I _{OH} = -12mA | 2.2 | | |
| | | V _{CC} = 3.0V; I _{OH} = -18mA | 2.4 | | |
| V _{OL} | LOW Level Output Voltage | 1.65V ≤ V _{CC} ≤ 3.6V; I _{OL} = 100μA | | 0.2 | V |
| | | V _{CC} = 1.65V; I _{OL} = 6mA | | 0.3 | |
| | | V _{CC} = 2.3V; I _{OL} = 12mA | | 0.4 | |
| | | V _{CC} = 2.3V; I _{OL} = 18mA | | 0.6 | |
| | | V _{CC} = 2.7V; I _{OL} = 12mA | | 0.4 | |
| | | V _{CC} = 3.0V; I _{OL} = 18mA | | 0.4 | |
| | | V _{CC} = 3.0V; I _{OL} = 24mA | | 0.55 | |
| I _I | Input Leakage Current | 1.65V ≤ V _{CC} ≤ 3.6V; 0V ≤ V _I ≤ 3.6V | | ±5.0 | μA |
| I _{I(HOLD)} | Minimum Bushold Input Current | V _{CC} = 3.0V, V _{IN} = 0.8V | 75 | | μA |
| | | V _{CC} = 3.0V, V _{IN} = 2.0V | -75 | | |
| | | V _{CC} = 2.3V, V _{IN} = 0.7V | 45 | | |
| | | V _{CC} = 2.3V, V _{IN} = 1.6V | -45 | | |
| | | V _{CC} = 1.65V, V _{IN} = 0.57V | 25 | | |
| | | V _{CC} = 1.65V, V _{IN} = 1.07V | -25 | | |
| I _{I(OD)} | Minimum Bushold Over-Drive Current Needed to Change State | V _{CC} = 3.6V, (Note 3.) | 450 | | μA |
| | | V _{CC} = 3.6V, (Note 4.) | -450 | | |
| | | V _{CC} = 2.7V, (Note 3.) | 300 | | |
| | | V _{CC} = 2.7V, (Note 4.) | -300 | | |
| | | V _{CC} = 1.95V, (Note 3.) | 200 | | |
| | | V _{CC} = 1.95V, (Note 4.) | -200 | | |
| I _{OZ} | 3-State Output Current | 1.65V ≤ V _{CC} ≤ 3.6V; 0V ≤ V _O ≤ 3.6V; V _I = V _{IH} or V _{IL} | | ±10 | μA |
| I _{OFF} | Power-Off Leakage Current | V _{CC} = 0V; V _I or V _O = 3.6V | | 10 | μA |
| I _{CC} | Quiescent Supply Current (Note 5.) | 1.65V ≤ V _{CC} ≤ 3.6V; V _I = GND or V _{CC} | | 20 | μA |
| | | 1.65V ≤ V _{CC} ≤ 3.6V; 3.6V ≤ V _I , V _O ≤ 3.6V | | ±20 | μA |
| ΔI _{CC} | Increase in I _{CC} per Input | 2.7V < V _{CC} ≤ 3.6V; V _{IH} = V _{CC} - 0.6V | | 750 | μA |

2. These values of V_I are used to test DC electrical characteristics only.

3. An external driver must source at least the specified current to switch from LOW-to-HIGH.

4. An external driver must source at least the specified current to switch from HIGH-to-LOW.

5. Outputs disabled or 3-state only.

74VCXH16374

AC CHARACTERISTICS (Note 6.; $t_R = t_F = 2.0\text{ns}$; $C_L = 30\text{pF}$; $R_L = 500\Omega$)

| Symbol | Parameter | Waveform | Limits | | | | | | Unit |
|--|--|----------|---|------------|--|------------|---|--------------|------|
| | | | $T_A = -40^\circ\text{C to } +85^\circ\text{C}$ | | | | | | |
| | | | $V_{CC} = 3.0\text{V to } 3.6\text{V}$ | | $V_{CC} = 2.3\text{V to } 2.7\text{V}$ | | $V_{CC} = 1.65\text{ to } 1.95\text{V}$ | | |
| | | | Min | Max | Min | Max | Min | Max | |
| f_{max} | Clock Pulse Frequency | 1 | 250 | | 200 | | 100 | | MHz |
| t_{PLH} t_{PHL} | Propagation Delay CP to On | 1 | 0.8 0.8 | 3.0 3.0 | 1.0 1.0 | 3.9 3.9 | 1.5 1.5 | 7.8 7.8 | ns |
| t_{PZH} t_{PZL} | Output Enable Time to High and Low Level | 2 | 0.8 0.8 | 3.5 3.5 | 1.0 1.0 | 4.6 4.6 | 1.5 1.5 | 9.2 9.2 | ns |
| t_{PHZ} t_{PLZ} | Output Disable Time From High and Low Level | 2 | 0.8 0.8 | 3.5 3.5 | 1.0 1.0 | 3.8 3.8 | 1.5 1.5 | 6.8 6.8 | ns |
| t_s | Setup Time, High or Low Dn to CP | 3 | 1.5 | | 1.5 | | 2.5 | | ns |
| t_h | Hold Time, High or Low Dn to CP | 3 | 1.0 | | 1.0 | | 1.0 | | ns |
| t_w | CP Pulse Width, High | 3 | 1.5 | | 1.5 | | 4.0 | | ns |
| t_{OSHL} t_{OSLH} | Output-to-Output Skew (Note 7.) | | | 0.5 0.5 | | 0.5 0.5 | | 0.75 0.75 | ns |

6. For $C_L = 50\text{pF}$, add approximately 300ps to the AC maximum specification.

7. Skew is defined as the absolute value of the difference between the actual propagation delay for any two separate outputs of the same device. The specification applies to any outputs switching in the same direction, either HIGH-to-LOW (t_{OSHL}) or LOW-to-HIGH (t_{OSLH}); parameter guaranteed by design.

DYNAMIC SWITCHING CHARACTERISTICS

| Symbol | Characteristic | Condition | $T_A = +25^\circ\text{C}$ | Unit |
|------------------|--|--|---------------------------|------|
| | | | Typ | |
| V_{OLP} | Dynamic LOW Peak Voltage (Note 8.) | $V_{CC} = 1.8\text{V}, C_L = 30\text{pF}, V_{\text{IH}} = V_{CC}, V_{\text{IL}} = 0\text{V}$ | 0.25 | V |
| | | $V_{CC} = 2.5\text{V}, C_L = 30\text{pF}, V_{\text{IH}} = V_{CC}, V_{\text{IL}} = 0\text{V}$ | 0.6 | |
| | | $V_{CC} = 3.3\text{V}, C_L = 30\text{pF}, V_{\text{IH}} = V_{CC}, V_{\text{IL}} = 0\text{V}$ | 0.8 | |
| V_{OLV} | Dynamic LOW Valley Voltage (Note 8.) | $V_{CC} = 1.8\text{V}, C_L = 30\text{pF}, V_{\text{IH}} = V_{CC}, V_{\text{IL}} = 0\text{V}$ | -0.25 | V |
| | | $V_{CC} = 2.5\text{V}, C_L = 30\text{pF}, V_{\text{IH}} = V_{CC}, V_{\text{IL}} = 0\text{V}$ | -0.6 | |
| | | $V_{CC} = 3.3\text{V}, C_L = 30\text{pF}, V_{\text{IH}} = V_{CC}, V_{\text{IL}} = 0\text{V}$ | -0.8 | |
| V_{OHV} | Dynamic HIGH Valley Voltage (Note 9.) | $V_{CC} = 1.8\text{V}, C_L = 30\text{pF}, V_{\text{IH}} = V_{CC}, V_{\text{IL}} = 0\text{V}$ | 1.5 | V |
| | | $V_{CC} = 2.5\text{V}, C_L = 30\text{pF}, V_{\text{IH}} = V_{CC}, V_{\text{IL}} = 0\text{V}$ | 1.9 | |
| | | $V_{CC} = 3.3\text{V}, C_L = 30\text{pF}, V_{\text{IH}} = V_{CC}, V_{\text{IL}} = 0\text{V}$ | 2.2 | |

8. Number of outputs defined as "n". Measured with "n-1" outputs switching from HIGH-to-LOW or LOW-to-HIGH. The remaining output is measured in the LOW state.

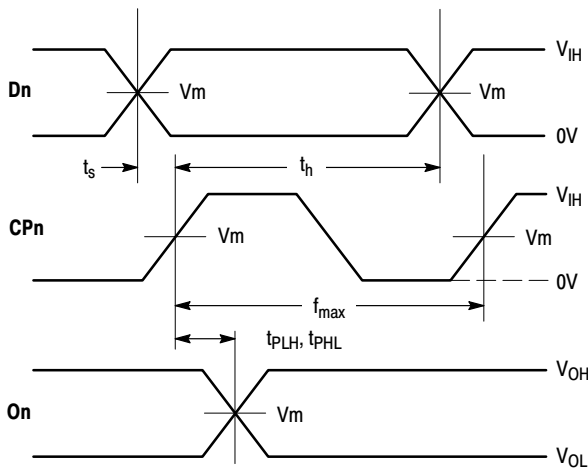
9. Number of outputs defined as "n". Measured with "n-1" outputs switching from HIGH-to-LOW or LOW-to-HIGH. The remaining output is measured in the HIGH state.

CAPACITIVE CHARACTERISTICS

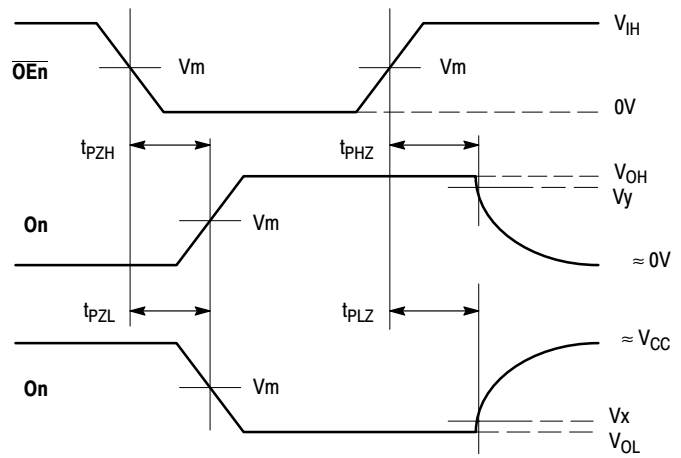
| Symbol | Parameter | Condition | Typical | Unit |
|------------------|-------------------------------|-----------------|---------|------|
| C_{IN} | Input Capacitance | Note 10. | 6 | pF |
| C_{OUT} | Output Capacitance | Note 10. | 7 | pF |
| C_{PD} | Power Dissipation Capacitance | Note 10., 10MHz | 20 | pF |

10. $V_{CC} = 1.8, 2.5$ or 3.3V ; $V_I = 0\text{V}$ or V_{CC} .

74VCXH16374

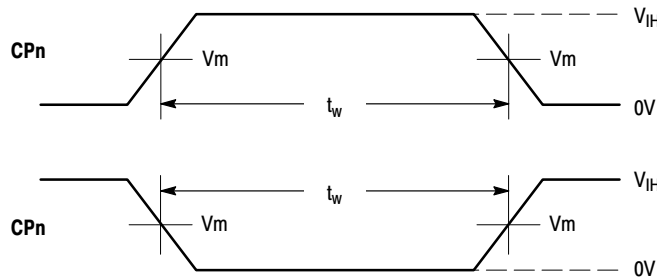


WAVEFORM 1 - PROPAGATION DELAYS, SETUP AND HOLD TIMES
 $t_R = t_F = 2.0\text{ns}$, 10% to 90%; $f = 1\text{MHz}$; $t_W = 500\text{ns}$



WAVEFORM 2 - OUTPUT ENABLE AND DISABLE TIMES
 $t_R = t_F = 2.0\text{ns}$, 10% to 90%; $f = 1\text{MHz}$; $t_W = 500\text{ns}$

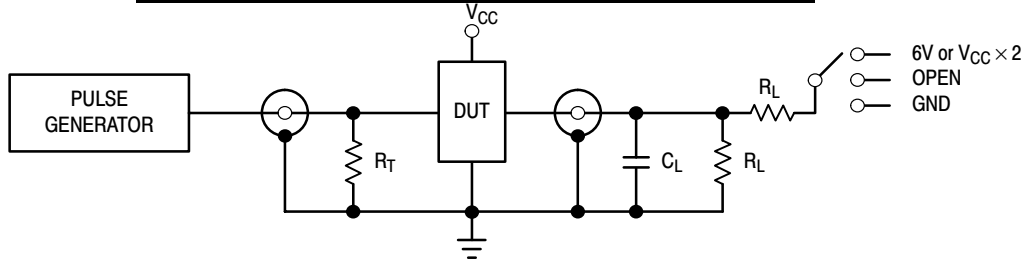
Figure 4. AC Waveforms



WAVEFORM 3 - PULSE WIDTH
 $t_R = t_F = 2.0\text{ns}$ (or fast as required) from 10% to 90%

Figure 5. AC Waveforms

| Symbol | V _{CC} | | |
|-----------------|------------------------|-------------------------|-------------------------|
| | 3.3V ±0.3V | 2.5V ±0.2V | 1.8V ±0.15V |
| V _{IH} | 2.7V | V _{CC} | V _{CC} |
| V _m | 1.5V | V _{CC} /2 | V _{CC} /2 |
| V _x | V _{OL} + 0.3V | V _{OL} + 0.15V | V _{OL} + 0.15V |
| V _y | V _{OH} - 0.3V | V _{OH} - 0.15V | V _{OH} - 0.15V |

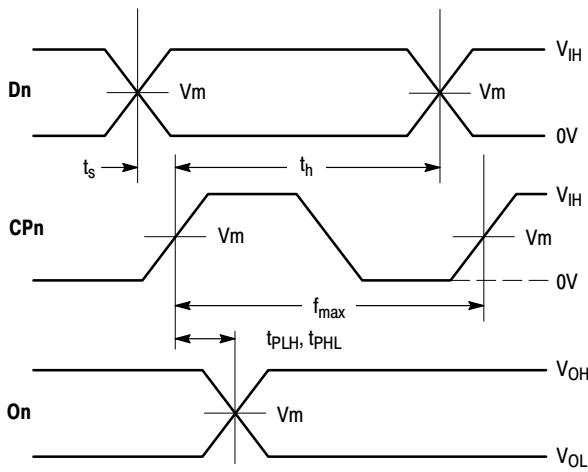


| TEST | SWITCH |
|-------------------------------------|---|
| t _{PLH} , t _{PHL} | Open |
| t _{PZL} , t _{PLZ} | 6V at V _{CC} = 3.3 ±0.3V; V _{CC} × 2 at V _{CC} = 2.5 ±0.2V; 1.8V ±0.15V |
| t _{PZH} , t _{PHZ} | GND |

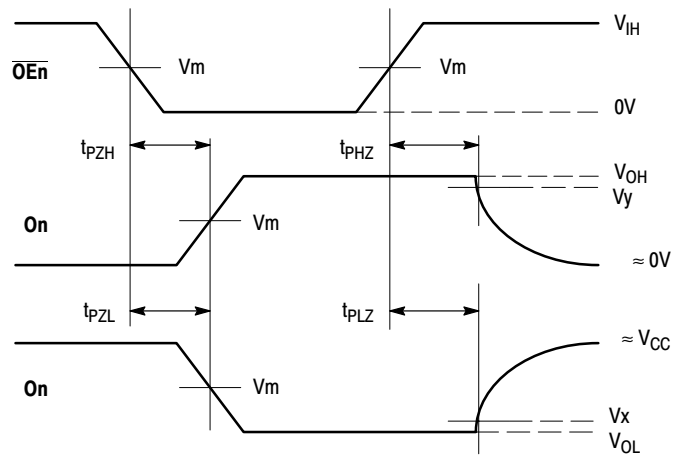
C_L = 30pF or equivalent (Includes jig and probe capacitance)
 R_L = 500Ω or equivalent
 R_T = Z_{OUT} of pulse generator (typically 50Ω)

Figure 6. Test Circuit

74VCXH16374

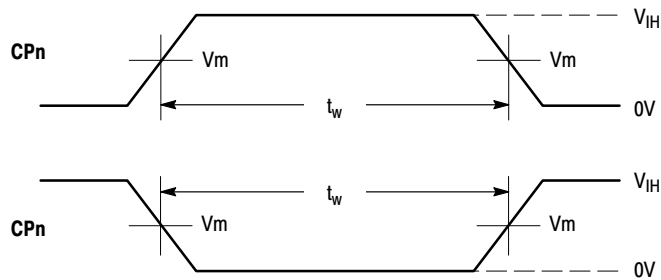


WAVEFORM 4 - PROPAGATION DELAYS, SETUP AND HOLD TIMES
 $t_R = t_F = 2.0\text{ns}$, 10% to 90%; $f = 1\text{MHz}$; $t_W = 500\text{ns}$



WAVEFORM 5 - OUTPUT ENABLE AND DISABLE TIMES
 $t_R = t_F = 2.0\text{ns}$, 10% to 90%; $f = 1\text{MHz}$; $t_W = 500\text{ns}$

Figure 7. AC Waveforms



WAVEFORM 6 - PULSE WIDTH
 $t_R = t_F = 2.0\text{ns}$ (or fast as required) from 10% to 90%

Figure 8. AC Waveforms

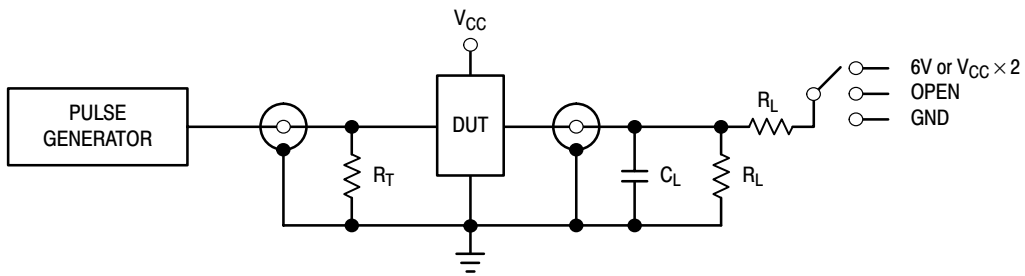
| Symbol | V_{CC} | |
|----------|-----------------|-----------------|
| | 3.3V ±0.3V | 2.7V |
| V_{IH} | 2.7V | 2.7V |
| V_m | 1.5V | 1.5V |
| V_x | $V_{OL} + 0.3V$ | $V_{OL} + 0.3V$ |
| V_y | $V_{OH} - 0.3V$ | $V_{OH} - 0.3V$ |

74VCXH16374

AC CHARACTERISTICS ($t_R = t_F = 2.0\text{ns}$; $C_L = 50\text{pF}$; $R_L = 500\Omega$)

| Symbol | Parameter | Waveform | Limits | | | | Unit |
|--|--|----------|---|------------|------------------------|------------|------|
| | | | $T_A = -40^\circ\text{C to } +85^\circ\text{C}$ | | | | |
| | | | $V_{CC} = 3.0\text{V to } 3.6\text{V}$ | | $V_{CC} = 2.7\text{V}$ | | |
| | | | Min | Max | Min | Max | |
| f_{max} | Clock Pulse Frequency | 4 | 150 | | 150 | | MHz |
| t_{PLH} t_{PHL} | Propagation Delay CP to On | 4 | 1.0 1.0 | 4.2 4.2 | | 4.9 4.9 | ns |
| t_{PZH} t_{PZL} | Output Enable Time to High and Low Level | 5 | 1.0 1.0 | 4.8 4.8 | | 5.9 5.9 | ns |
| t_{PHZ} t_{PLZ} | Output Disable Time From High and Low Level | 5 | 1.0 1.0 | 4.3 4.3 | | 4.7 4.7 | ns |
| t_{OSHL} t_{OSLH} | Output-to-Output Skew (Note 11.) | | | 0.5 0.5 | | 0.5 0.5 | ns |

11. Skew is defined as the absolute value of the difference between the actual propagation delay for any two separate outputs of the same device. The specification applies to any outputs switching in the same direction, either HIGH-to-LOW (t_{OSHL}) or LOW-to-HIGH (t_{OSLH}); parameter guaranteed by design.



| TEST | SWITCH |
|-------------------------------------|--|
| t_{PLH} , t_{PHL} | Open |
| t_{PZL} , t_{PLZ} | 6V at $V_{CC} = 3.3 \pm 0.3\text{V}$; $V_{CC} \times 2$ at $V_{CC} = 2.5 \pm 0.2\text{V}$; $1.8\text{V} \pm 0.15\text{V}$ |
| t_{PZH} , t_{PHZ} | GND |

$C_L = 50\text{pF}$ or equivalent (Includes jig and probe capacitance)
 $R_L = 500\Omega$ or equivalent
 $R_T = Z_{\text{OUT}}$ of pulse generator (typically 50Ω)

Figure 9. Test Circuit

74VCXH16374

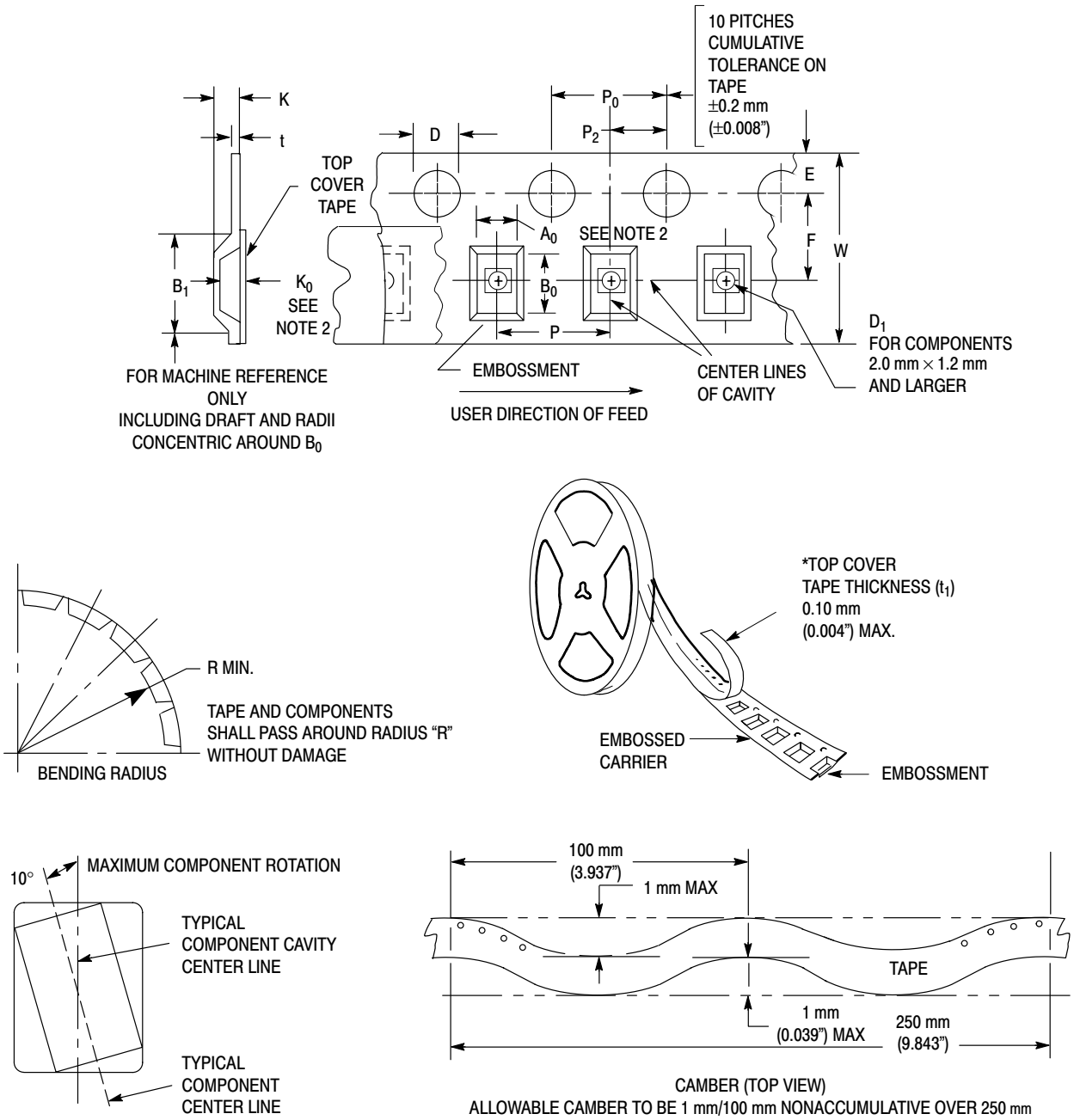


Figure 10. Carrier Tape Specifications

EMBOSSED CARRIER DIMENSIONS (See Notes 1 and 2)

| Tape Size | B_1 Max | D | D_1 | E | F | K | P | P_0 | P_2 | R | T | W |
|-----------|-----------------|---------------------------------------|--------------------|--|---|----------------------|---|---|---|---------------|-----------------|------------------|
| 24mm | 20.1mm (0.791") | 1.5 + 0.1mm -0.0 (0.059 +0.004" -0.0) | 1.5mm Min (0.060") | 1.75 ± 0.1 mm (0.069 ± 0.004 ") | 11.5 ± 0.10 mm (0.453 ± 0.004 ") | 11.9 mm Max (0.468") | 16.0 ± 0.1 mm (0.63 ± 0.004 ") | 4.0 ± 0.1 mm (0.157 ± 0.004 ") | 2.0 ± 0.1 mm (0.079 ± 0.004 ") | 30 mm (1.18") | 0.6 mm (0.024") | 24.3 mm (0.957") |

1. Metric Dimensions Govern—English are in parentheses for reference only.
2. A_0 , B_0 , and K_0 are determined by component size. The clearance between the components and the cavity must be within 0.05 mm min to 0.50 mm max. The component cannot rotate more than 10° within the determined cavity.

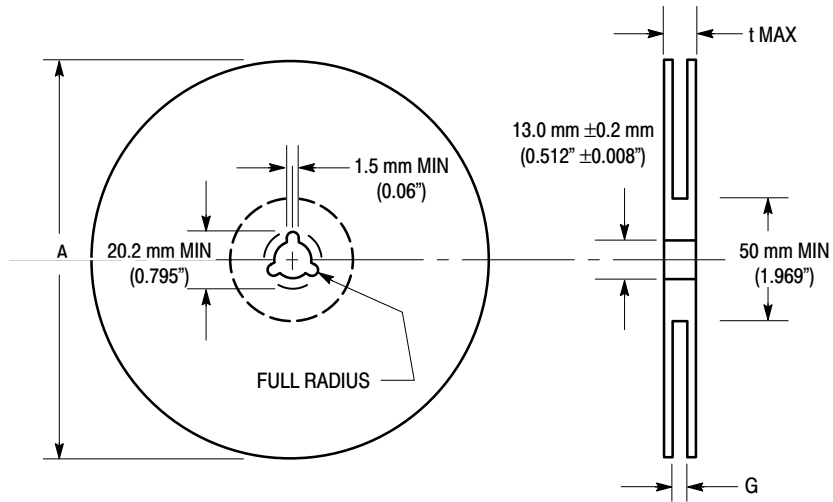


Figure 11. Reel Dimensions

REEL DIMENSIONS

| Tape Size | A Max | G | t Max |
|-----------|---------------------|--|---------------------|
| 24 mm | 360 mm (14.173") | 24.4 mm + 2.0 mm, -0.0 (0.961" + 0.078", -0.00) | 30.4 mm (1.197") |

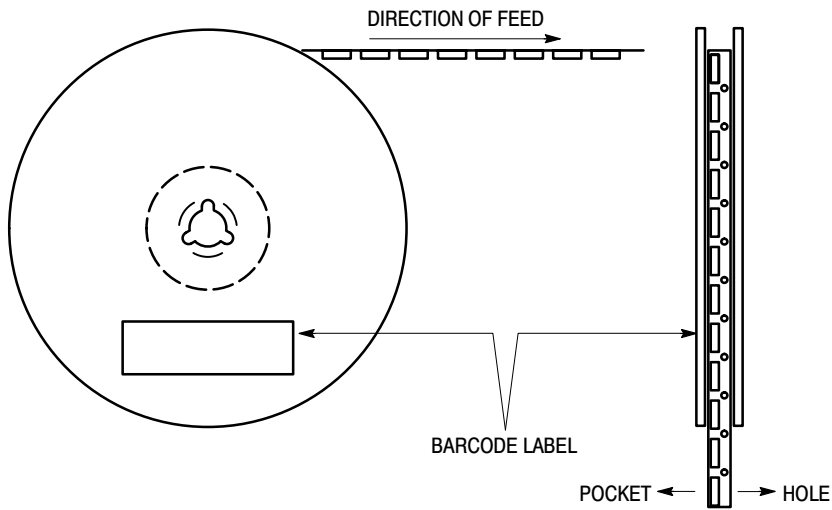


Figure 12. Reel Winding Direction

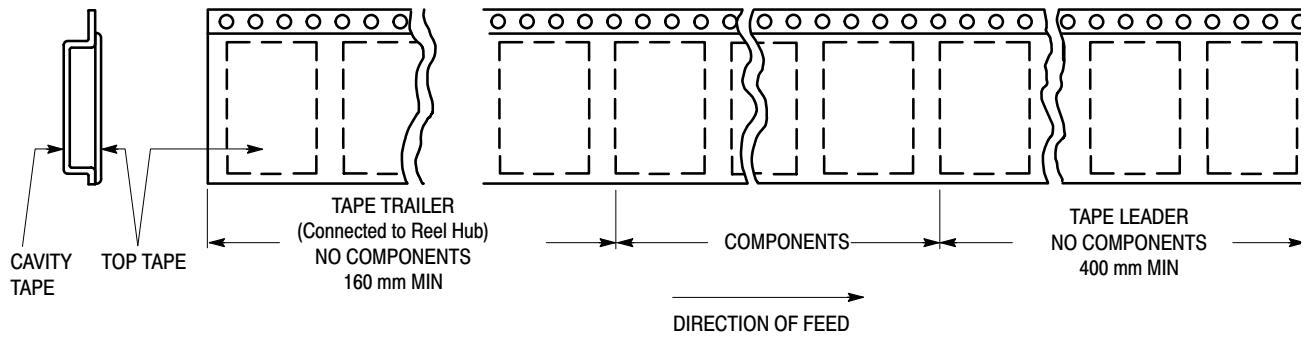


Figure 13. Tape Ends for Finished Goods

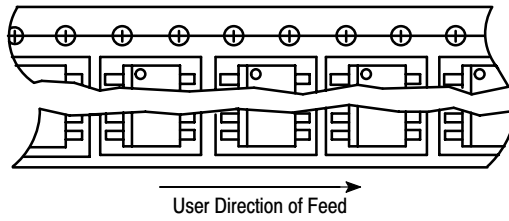


Figure 14. Reel Configuration

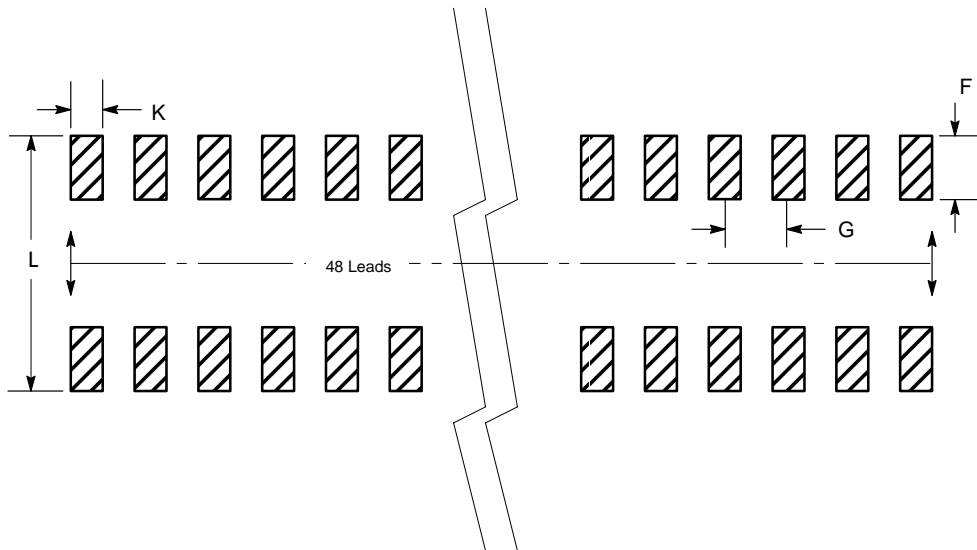
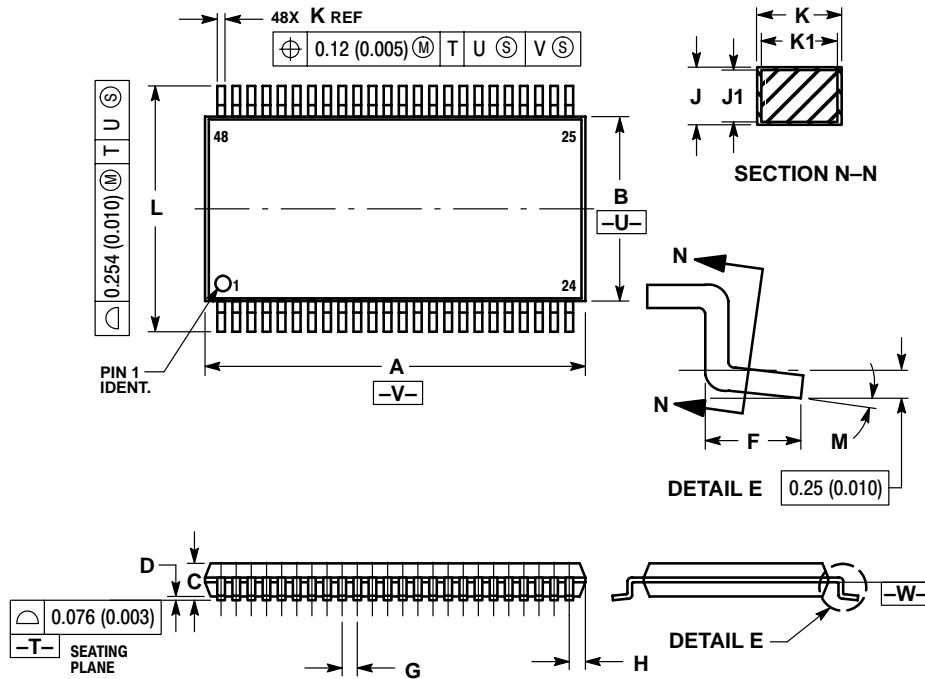


Figure 15. Package Footprint

74VCXH16374

PACKAGE DIMENSIONS

TSSOP
DT SUFFIX
CASE 1201-01
ISSUE A



NOTES:

1. DIMENSIONING AND TOLERANCING PER ANSI Y14.5M, 1982.
2. CONTROLLING DIMENSION: MILLIMETER.
3. DIMENSIONS A AND B DO NOT INCLUDE MOLD FLASH, PROTRUSIONS OR GATE BURRS. MOLD FLASH OR GATE BURRS SHALL NOT EXCEED 0.15 (0.006) PER SIDE.
4. DIMENSION K DOES NOT INCLUDE DAMBAR PROTRUSION. ALLOWABLE DAMBAR PROTRUSION SHALL BE 0.08 (0.003) TOTAL IN EXCESS OF THE K DIMENSION AT MAXIMUM MATERIAL CONDITION.
5. TERMINAL NUMBERS ARE SHOWN FOR REFERENCE ONLY.
6. DIMENSIONS A AND B ARE TO BE DETERMINED AT DATUM PLANE -W-.

| DIM | MILLIMETERS | | INCHES | |
|-----|-------------|-------|------------|-------|
| | MIN | MAX | MIN | MAX |
| A | 12.40 | 12.60 | 0.488 | 0.496 |
| B | 6.00 | 6.20 | 0.236 | 0.244 |
| C | --- | 1.10 | --- | 0.043 |
| D | 0.05 | 0.15 | 0.002 | 0.006 |
| F | 0.50 | 0.75 | 0.020 | 0.030 |
| G | 0.50 BSC | | 0.0197 BSC | |
| H | 0.37 | --- | 0.015 | --- |
| J | 0.09 | 0.20 | 0.004 | 0.008 |
| J1 | 0.09 | 0.16 | 0.004 | 0.006 |
| K | 0.17 | 0.27 | 0.007 | 0.011 |
| K1 | 0.17 | 0.23 | 0.007 | 0.009 |
| L | 7.95 | 8.25 | 0.313 | 0.325 |
| M | 0 ° | 8 ° | 0 ° | 8 ° |

ON Semiconductor and are trademarks of Semiconductor Components Industries, LLC (SCILLC). SCILLC reserves the right to make changes without further notice to any products herein. SCILLC makes no warranty, representation or guarantee regarding the suitability of its products for any particular purpose, nor does SCILLC assume any liability arising out of the application or use of any product or circuit, and specifically disclaims any and all liability, including without limitation special, consequential or incidental damages. "Typical" parameters which may be provided in SCILLC data sheets and/or specifications can and do vary in different applications and actual performance may vary over time. All operating parameters, including "Typicals" must be validated for each customer application by customer's technical experts. SCILLC does not convey any license under its patent rights nor the rights of others. SCILLC products are not designed, intended, or authorized for use as components in systems intended for surgical implant into the body, or other applications intended to support or sustain life, or for any other application in which the failure of the SCILLC product could create a situation where personal injury or death may occur. Should Buyer purchase or use SCILLC products for any such unintended or unauthorized application, Buyer shall indemnify and hold SCILLC and its officers, employees, subsidiaries, affiliates, and distributors harmless against all claims, costs, damages, and expenses, and reasonable attorney fees arising out of, directly or indirectly, any claim of personal injury or death associated with such unintended or unauthorized use, even if such claim alleges that SCILLC was negligent regarding the design or manufacture of the part. SCILLC is an Equal Opportunity/Affirmative Action Employer.

PUBLICATION ORDERING INFORMATION

NORTH AMERICA Literature Fulfillment:

Literature Distribution Center for ON Semiconductor
P.O. Box 5163, Denver, Colorado 80217 USA
Phone: 303-675-2175 or 800-344-3860 Toll Free USA/Canada
Fax: 303-675-2176 or 800-344-3867 Toll Free USA/Canada
Email: ONlit@hibbertco.com
Fax Response Line: 303-675-2167 or 800-344-3810 Toll Free USA/Canada

N. American Technical Support: 800-282-9855 Toll Free USA/Canada

EUROPE: LDC for ON Semiconductor – European Support

German Phone: (+1) 303-308-7140 (Mon-Fri 2:30pm to 7:00pm CET)
Email: ONlit-german@hibbertco.com
French Phone: (+1) 303-308-7141 (Mon-Fri 2:00pm to 7:00pm CET)
Email: ONlit-french@hibbertco.com
English Phone: (+1) 303-308-7142 (Mon-Fri 12:00pm to 5:00pm GMT)
Email: ONlit@hibbertco.com

EUROPEAN TOLL-FREE ACCESS*: 00-800-4422-3781

*Available from Germany, France, Italy, UK, Ireland

CENTRAL/SOUTH AMERICA:

Spanish Phone: 303-308-7143 (Mon-Fri 8:00am to 5:00pm MST)
Email: ONlit-spanish@hibbertco.com
Toll-Free from Mexico: Dial 01-800-288-2872 for Access –
then Dial 866-297-9322

ASIA/PACIFIC: LDC for ON Semiconductor – Asia Support

Phone: 303-675-2121 (Tue-Fri 9:00am to 1:00pm, Hong Kong Time)
Toll Free from Hong Kong & Singapore:
001-800-4422-3781
Email: ONlit-asia@hibbertco.com

JAPAN: ON Semiconductor, Japan Customer Focus Center

4-32-1 Nishi-Gotanda, Shinagawa-ku, Tokyo, Japan 141-0031
Phone: 81-3-5740-2700
Email: r14525@onsemi.com

ON Semiconductor Website: <http://onsemi.com>

For additional information, please contact your local Sales Representative.