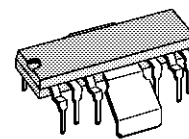


**TV VERTICAL DEFLECTION**

- SYNCHRONIZATION CIRCUIT
- OSCILLATOR AND RAMP GENERATOR
- HIGH POWER GAIN AMPLIFIER
- FLYBACK GENERATOR
- VOLTAGE REGULATOR



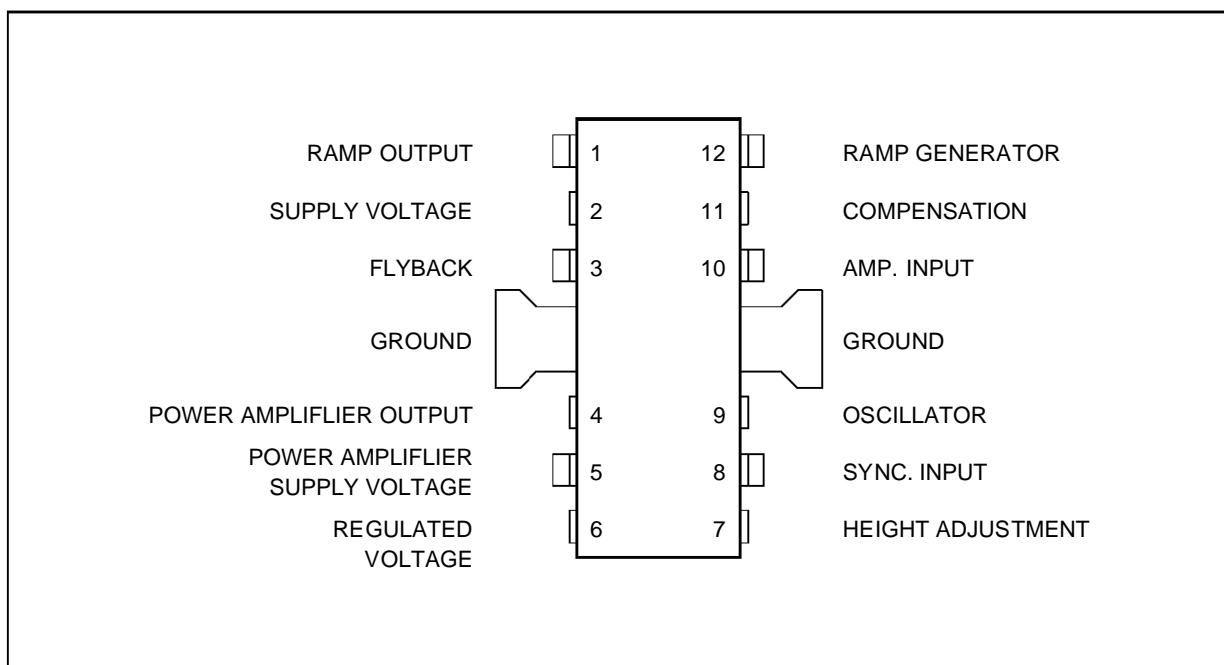
**FINDIP**  
(Plastic Package)

**ORDER CODE : TDA1170S**

**DESCRIPTION**

The TDA1170S is a monolithic integrated circuit in a 12-lead quad in-line plastic package. It is intended for use in black and white and colour TV receivers.

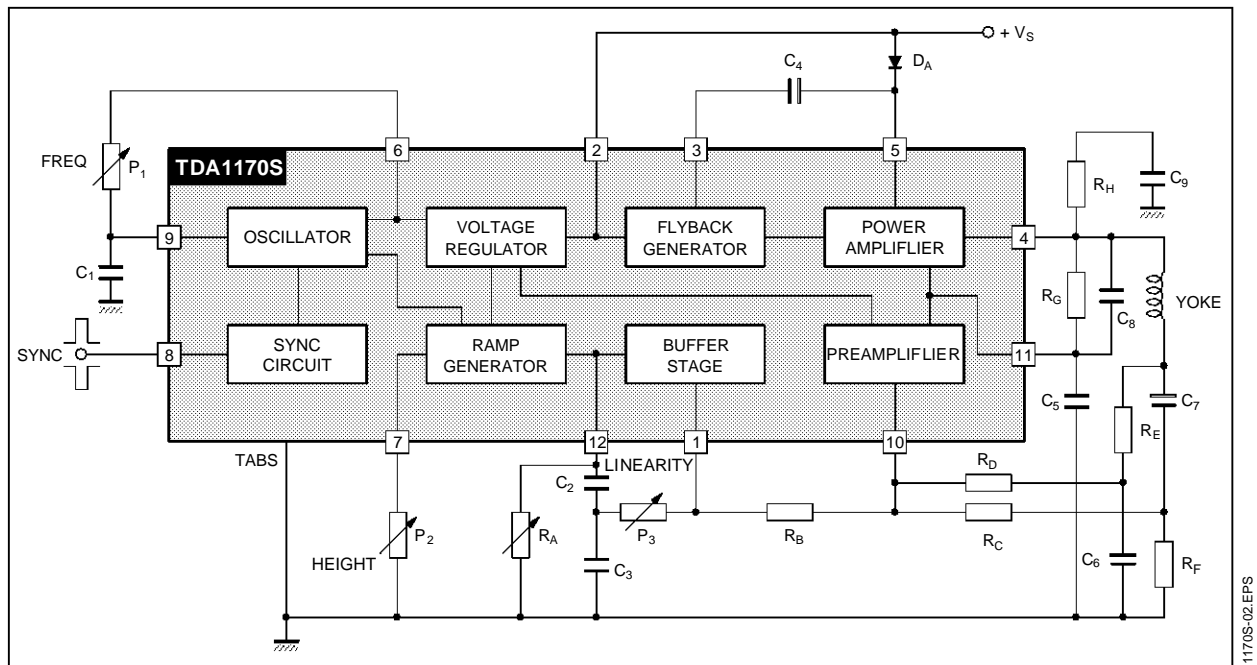
**PIN CONNECTIONS**



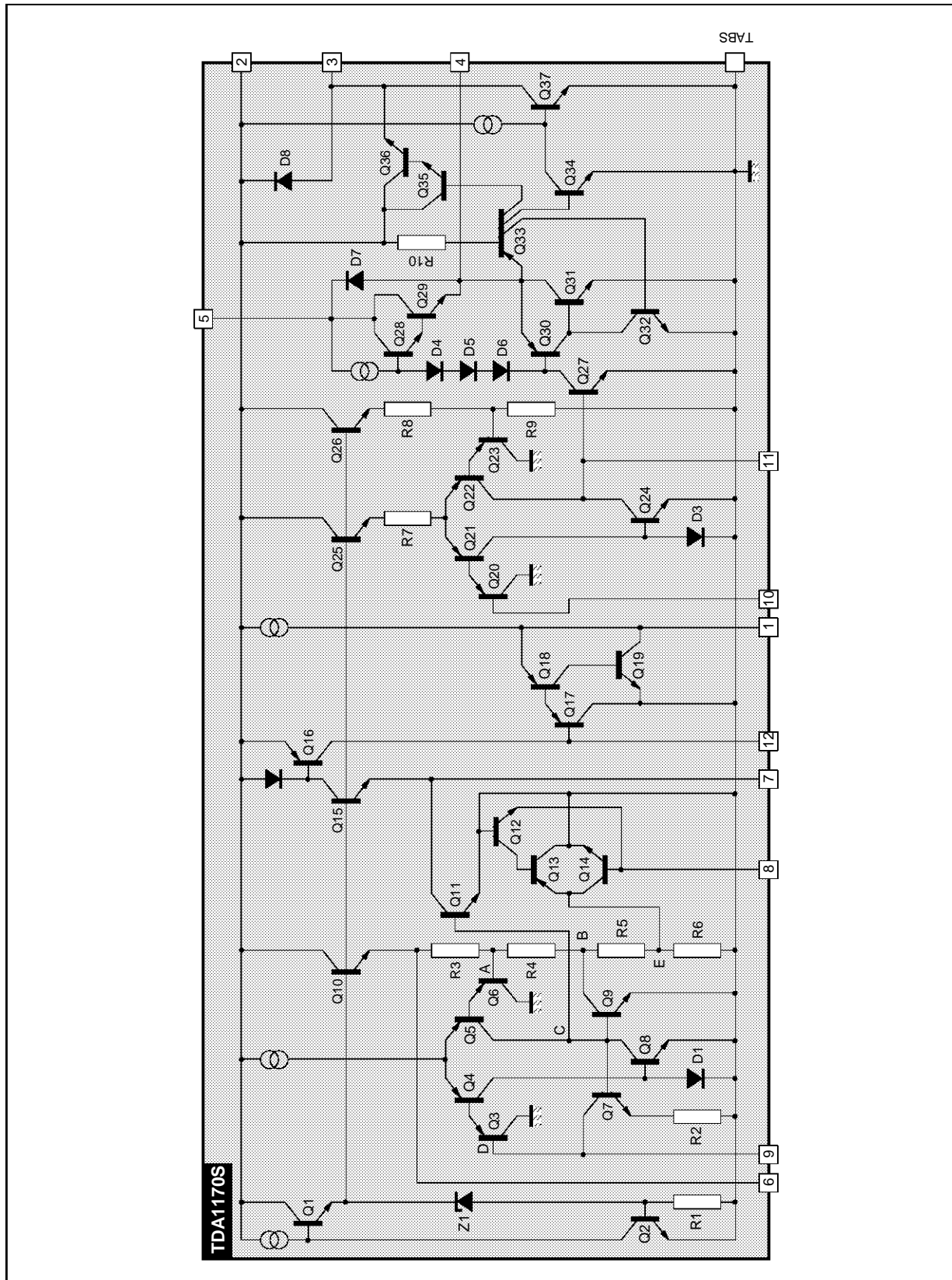
1170S-01.EPS

# TDA1170S

## BLOCK DIAGRAM



SCHEMATIC DIAGRAM



1170S-03.EPS

**ABSOLUTE MAXIMUM RATINGS**

Symbol	Parameter	Value	Unit
V <sub>S</sub>	Supply Voltage at Pin 2	35	V
V <sub>4</sub> , V <sub>5</sub>	Flyback Peak Voltage	60	V
V <sub>10</sub>	Power Amplifier Input Voltage	+ 10 - 0.5	V V
I <sub>o</sub>	Output Peak Current (non repetitive) at t = 2msec	2	A
I <sub>o</sub>	Output Peak Current at f = 50Hz t ≤ 10μsec	2.5	A
I <sub>o</sub>	Output Peak Current at f = 50Hz t > 10μsec	1.5	A
I <sub>3</sub>	Pin 3 DC Current at V <sub>4</sub> 2	100	mA
I <sub>3</sub>	Pin 3 Peak to Peak Flyback Current for f = 50Hz, t <sub>fly</sub> ≤ 1.5msec	1.8	A
I <sub>8</sub>	Pin 8 Current	± 20	mA
P <sub>tot</sub>	Power Dissipation : at T <sub>tab</sub> = 90 °C at T <sub>amb</sub> = 80 °C	5 1	W W
T <sub>stg</sub> , T <sub>j</sub>	Storage and Junction Temperature	- 40, + 150	°C

1170S-01.TBL

**THERMAL DATA**

Symbol	Parameter	Value	Unit
R <sub>th j-tab</sub>	Thermal Resistance Junction-tab Max	12	°C/W
R <sub>th j-amb</sub>	Thermal Resistance Junction-ambient Max	70	°C/W

(°) Obtained with tabs soldered to printed circuit with minimized copper area.

1170S-02.TBL

**ELECTRICAL CHARACTERISTICS**

(refer to the test circuits, V<sub>S</sub> = 35V, T<sub>amb</sub> = 25°C, unless otherwise specified)

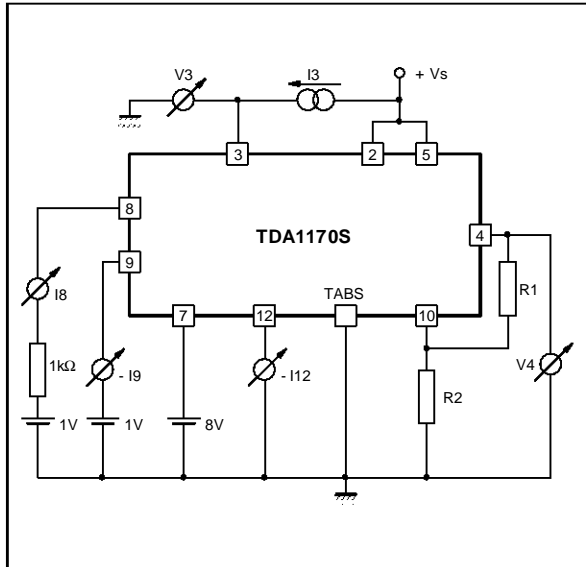
**DC CHARACTERISTICS**

Symbol	Parameter	Test Conditions	Min.	Typ.	Max.	Unit	Fig.
I <sub>2</sub>	Pin 2 Quiescent Current	I <sub>3</sub> = 0		7	14	mA	1b
I <sub>5</sub>	Pin 5 Quiescent Current	I <sub>4</sub> = 0		8	15	mA	1b
- I <sub>9</sub>	Oscillator Bias Current	V <sub>9</sub> = 1V		0.1	1	μA	1a
- I <sub>10</sub>	Amplifier Input Bias Current	V <sub>10</sub> = 1V		0.1	1	μA	1b
- I <sub>12</sub>	Ramp Generator Bias Current	V <sub>12</sub> = 0		0.02	0.3	μA	1a
- I <sub>12</sub>	Ramp Generator Current	I <sub>7</sub> = 20 μA, V <sub>12</sub> = 0	19	20	24	μA	1b
$\frac{\Delta I_{12}}{I_{12}}$	Ramp Generator Non-linearity	ΔV <sub>12</sub> = 0 to 12V, I <sub>7</sub> = 20μA		0.2	1	%	1b
V <sub>S</sub>	Supply Voltage Range		10		35	V	-
V <sub>1</sub>	Pin 1 Saturation Voltage to Ground	I <sub>1</sub> = 1 mA		1	1.4	V	-
V <sub>3</sub>	Pin 3 Saturation Voltage to Ground	I <sub>3</sub> = 10 mA		1.7	2.6	V	1a
V <sub>4</sub>	Quiescent Output Voltage	V <sub>S</sub> = 10V R1 = 10kΩ, R2 = 10kΩ	4.1	4.4	4.75	V	1a
		V <sub>S</sub> = 35V R1 = 30kΩ, R2 = 10kΩ	8.3	8.8	9.45	V	1a
V <sub>4L</sub>	Output Saturation Voltage to Ground	- I <sub>4</sub> = 0.1A		0.9	1.2	V	1c
		- I <sub>4</sub> = 0.8A		1.9	2.3	V	1c
V <sub>4H</sub>	Output Saturation Voltage to Supply	I <sub>4</sub> = 0.1A		1.4	2.1	V	1d
		I <sub>4</sub> = 0.8A		2.8	3.2	V	1d
V <sub>6</sub>	Regulated Voltage at Pin 6		6.1	6.5	6.9	V	1b
V <sub>7</sub>	Regulated Voltage at Pin 7	I <sub>7</sub> = 20μA	6.2	6.6	7	V	1b
$\frac{\Delta V_6}{\Delta V_S}, \frac{\Delta V_7}{\Delta V_S}$	Regulated Voltage Drift with Supply Voltage	ΔV <sub>S</sub> = 10 to 35V		1		mV/V	1b
V <sub>10</sub>	Amplifier Input Reference Voltage		2.07	2.2	2.3	V	-
R <sub>8</sub>	Pin 8 Input Resistance	V <sub>8</sub> ≤ 0.4V	1			MΩ	1a

1170S-03.TBL

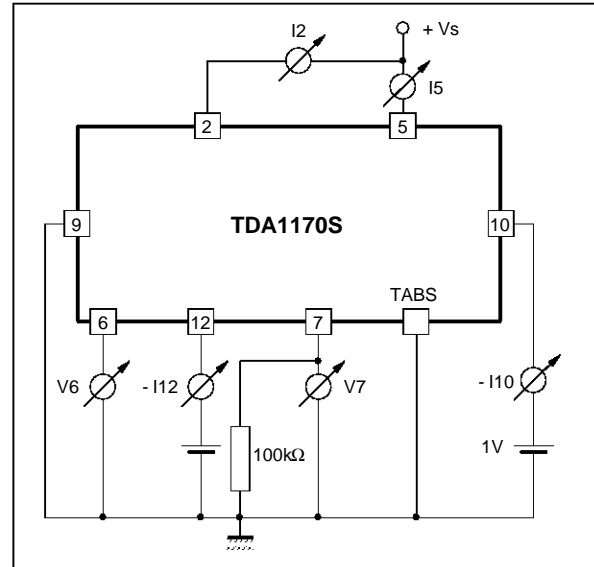
Figure 1 : DC Test Circuit

Figure 1a



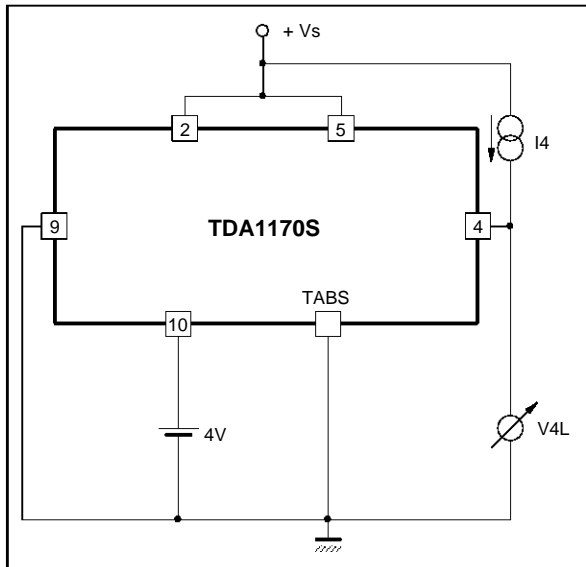
1170S-04.EPS

Figure 1b



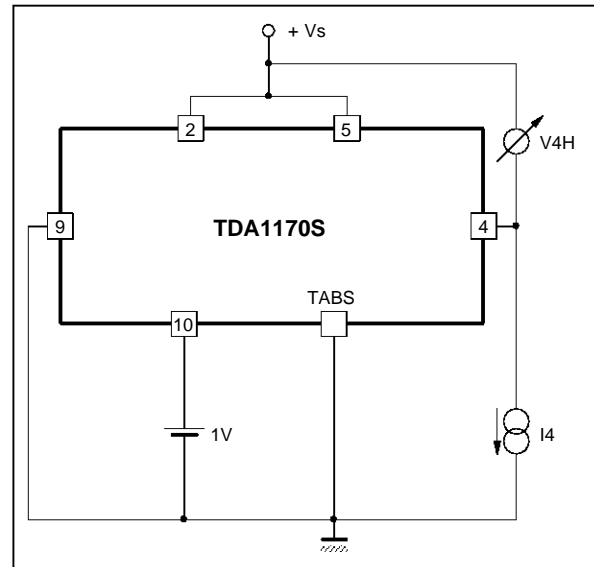
1170S-05.EPS

Figure 1c



1170S-06.EPS

Figure 1d



1170S-07.EPS

**ELECTRICAL CHARACTERISTICS**

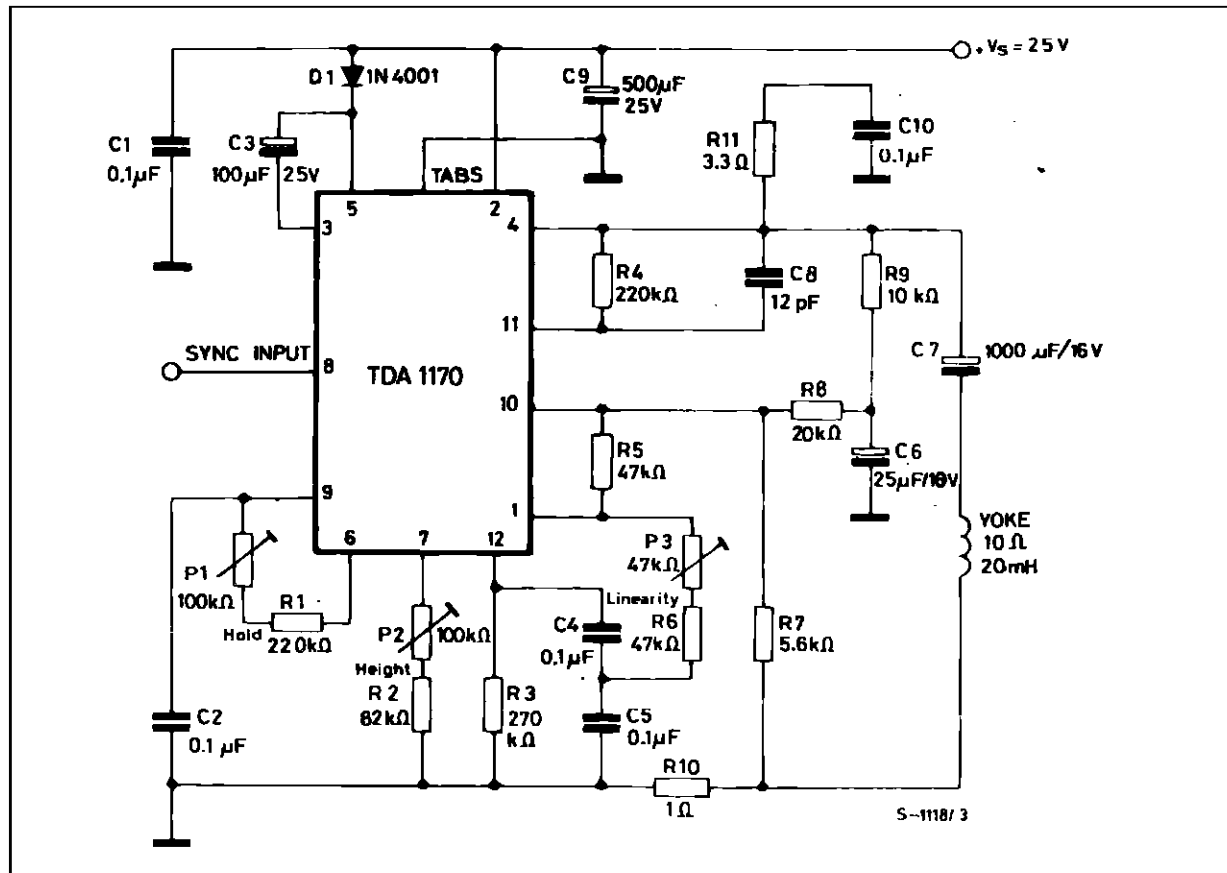
(refer to the test circuit,  $V_S = 25V$  ;  $f = 50Hz$  ;  $T_{amb} = 25^{\circ}C$ , unless otherwise specified)

**AC CHARACTERISTICS**

Symbol	Parameter	Test Conditions	Min.	Typ.	Max.	Unit
$I_s$	Supply Current	$I_y = 1App$		140		mA
$I_8$	Sync. Input Current (positive or negative)		500			$\mu A$
$V_4$	Flyback Voltage	$I_y = 1App$		51		V
$V_9$	Peak to Peak Oscillator Sawtooth Voltage			2.4		V
$t_{fly}$	Flyback Time	$I_y = 1App$		0.7		ms
$f_o$	Free Running Frequency	$(P_1 + R_1) = 300k\Omega$ , $C_2 = 0.1 \mu F$ $(P_1 + R_1) = 260k\Omega$ , $C_2 = 0.1 \mu F$		42.2 48.5		Hz Hz
$\Delta f$	Synchronization Range	$I_8 = 0.5mA$	14			Hz
$\frac{\Delta f}{\Delta V_S}$	Frequency Drift with Supply Voltage	$V_S = 10$ to $35V$		0.005		Hz/V
$\frac{\Delta f}{\Delta T_{tab}}$	Frequency Drift with Tab Temperature	$T_{tab} = 40$ to $120^{\circ}C$		0.01		Hz/ $^{\circ}C$

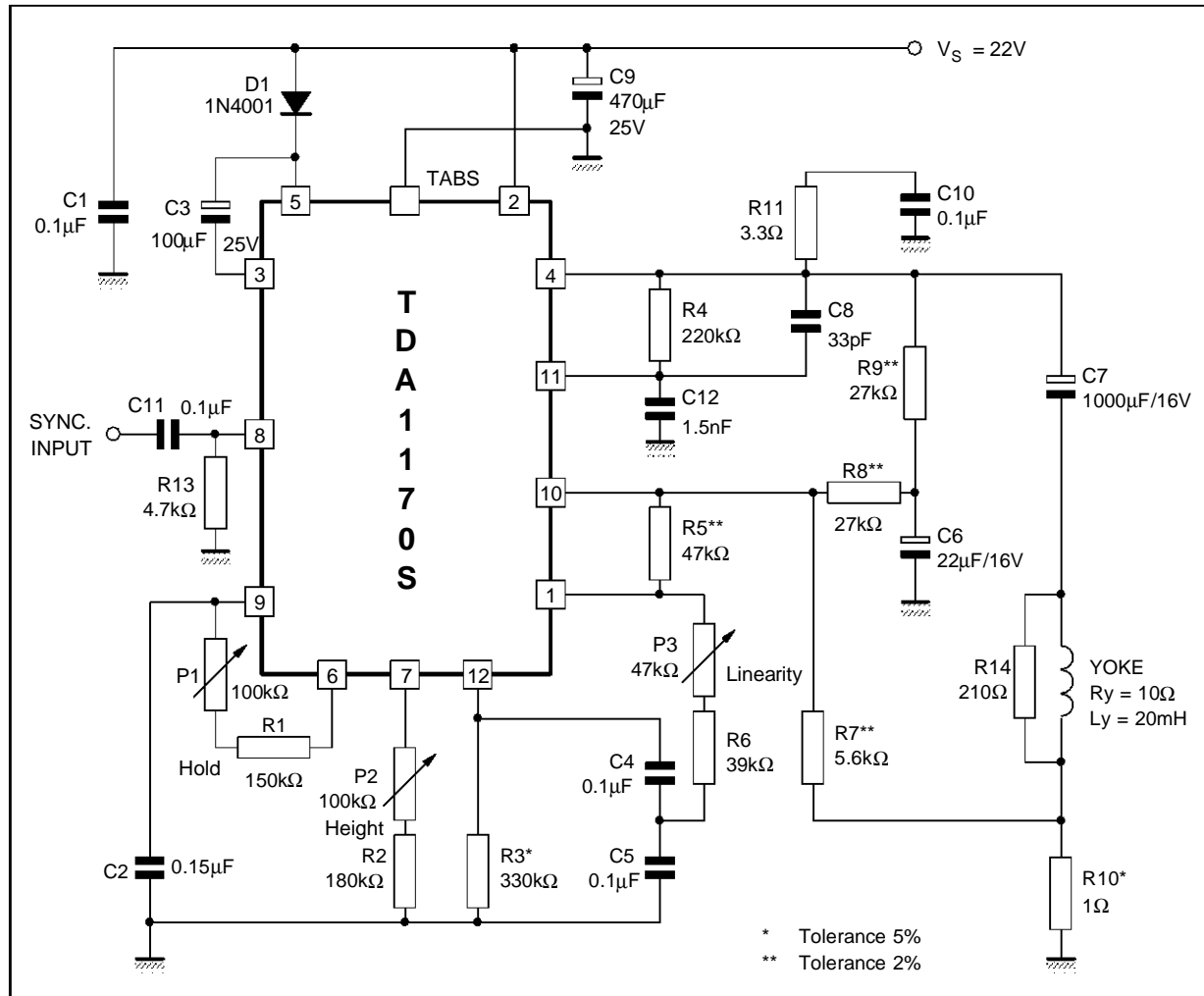
1170S-04.TBL

**Figure 2 : AC Test Circuit**



1170S-08.EPS

Figure 3 : Typical Application Circuit for Large Screen B/W TV SET ( $R_Y = 10\Omega$ ,  $L_Y = 20mH$ ,  $I_Y = 1APP$ )



TYPICAL PERFORMANCE

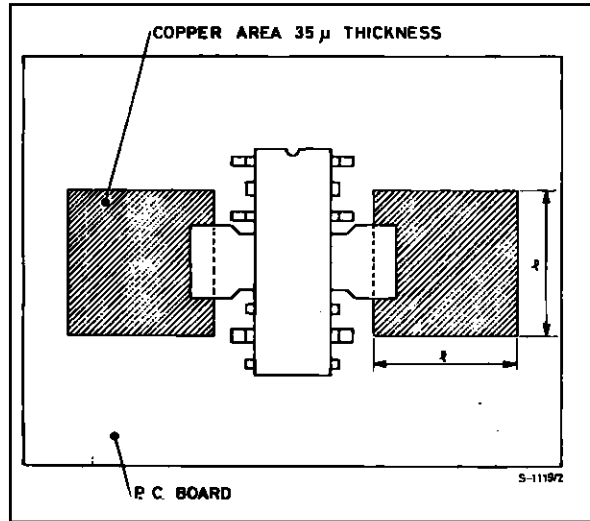
Symbol	Parameter	Value	Unit
$V_S$	Operating Supply Voltage	22	V
$I_S$	Supply Current	145	mA
$t_{fly}$	Flyback Time	0.7	ms
$P_{tot}$	Power Dissipation	2.3	W
$I_Y$	Maximum Scanning Current (peak to peak)	1.2	A

For safe working up to  $T_{amb} = 60^\circ C$  a heatsink of  $R_{th} = 14^\circ C/W$  is required.

**MOUNTING INSTRUCTION**

The junction to ambient thermal resistance of the TDA 1170S can be reduced by soldering the tabs to a suitable copper area of the printed circuit board (fig. 4) or to an external heatsink (fig. 5).

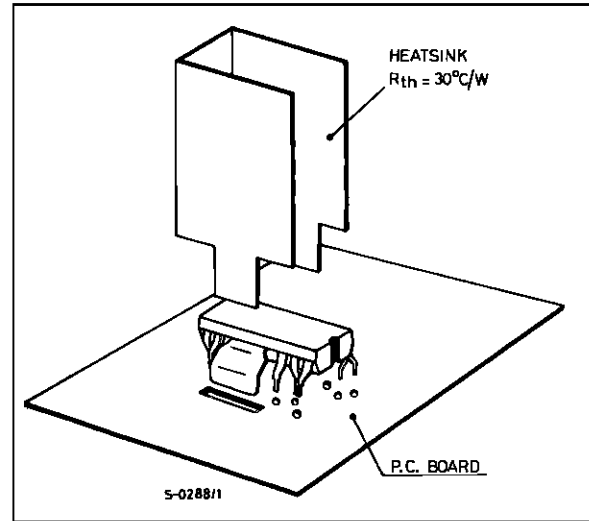
**Figure 4 :** Example of P.C Board Copper Area is Used as Heatsink



1170S-10.EPS

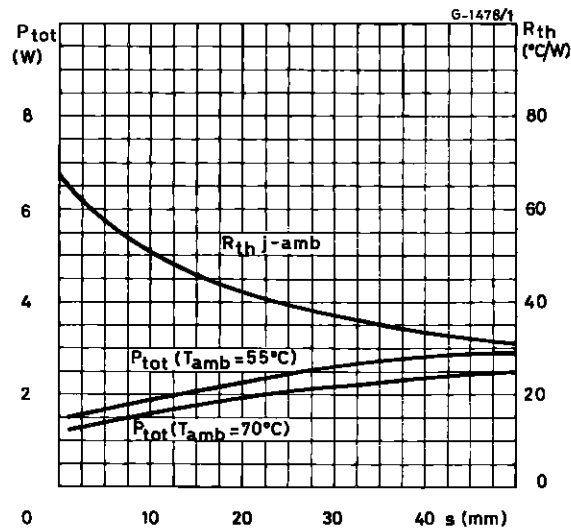
The diagram of fig. 6 shows the maximum dissippable power  $P_{tot}$  and the  $R_{th j-amb}$  as a function of the side "s" of two equal square copper areas having a thickness of  $35 \mu$  (1.4 mil).

**Figure 5 :** Example with External Heatsink



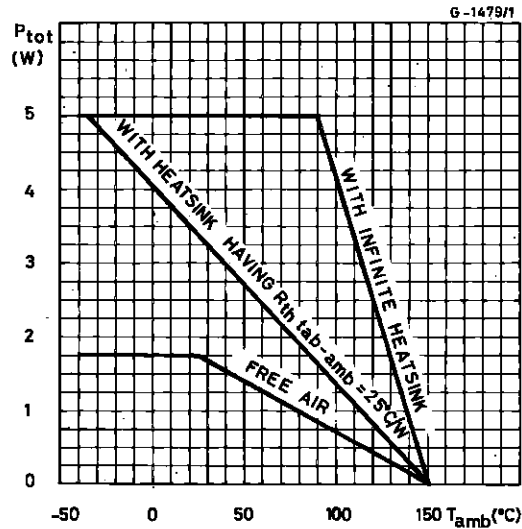
1170S-11.EPS

**Figure 6 :** Maximum Power Dissipation and Junction-Ambient Thermal Resistance versus "S"



1170S-12.EPS

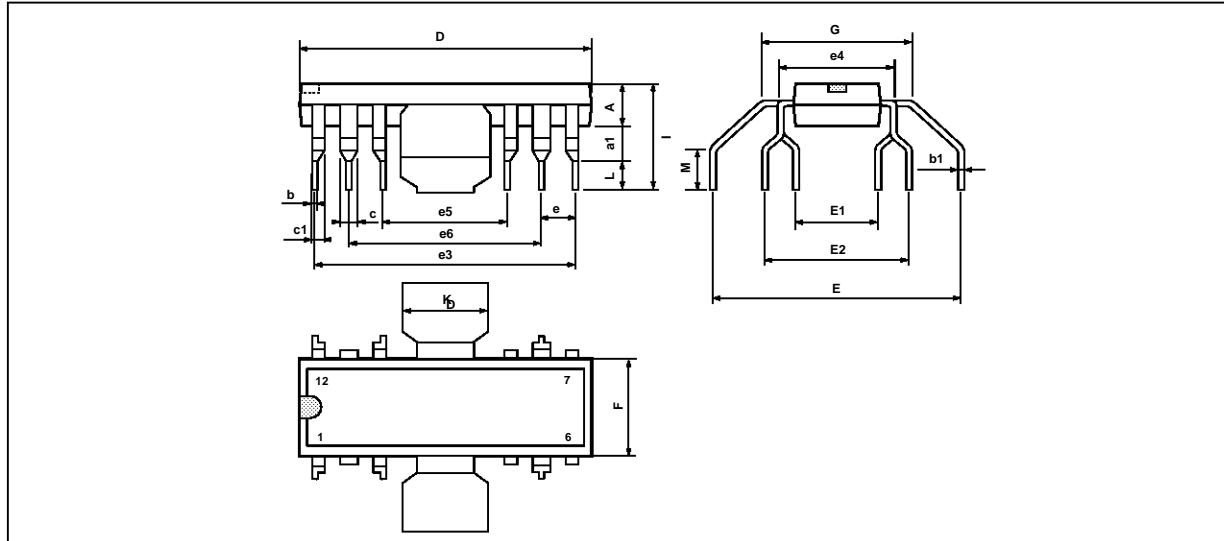
**Figure 7 :** Maximum Allowable Power Dissipation versus Ambient Temperature



1170S-13.EPS



PACKAGE MECHANICAL DATA : 12 PINS - PLASTIC FINDIP



PM-FDIP/EPS

Dimensions	Millimeters			Inches		
	Min.	Typ.	Max.	Min.	Typ.	Max.
A	3.8		4.05	0.150		0.159
a1	1.5		1.75	0.059		0.069
b	0.55		0.6	0.022		0.024
b1	0.3		0.35	0.012		0.014
c		1.32			0.052	
c1		0.94			0.037	
D	19.2		19.9	0.756		0.783
E	16.8	17.2	17.6	0.661	0.677	0.693
E1	4.86		5.56	0.191		0.219
E2	10.11		10.81	0.398		0.426
e	2.29	2.54	2.79	0.090	0.100	0.110
e3	17.43	17.78	18.13	0.686	0.700	0.714
e4		7.62			0.300	
e5	7.27	7.62	7.97	0.286	0.300	0.314
e6	12.35	12.7	13.05	0.486	0.500	0.514
F	6.3		7.1	0.248		0.280
G		9.8			0.386	
I	7.8		8.6	0.307		0.339
K	6.1		6.5	0.240		0.256
L	2.5		2.9	0.098		0.114
M	2.5		3.1	0.098		

FINDIP.TBL

Information furnished is believed to be accurate and reliable. However, SGS-THOMSON Microelectronics assumes no responsibility for the consequences of use of such information nor for any infringement of patents or other rights of third parties which may result from its use. No licence is granted by implication or otherwise under any patent or patent rights of SGS-THOMSON Microelectronics. Specifications mentioned in this publication are subject to change without notice. This publication supersedes and replaces all information previously supplied. SGS-THOMSON Microelectronics products are not authorized for use as critical components in life support devices or systems without express written approval of SGS-THOMSON Microelectronics.

© 1994 SGS-THOMSON Microelectronics - All Rights Reserved

Purchase of I<sup>2</sup>C Components of SGS-THOMSON Microelectronics, conveys a license under the Philips I<sup>2</sup>C Patent. Rights to use these components in a I<sup>2</sup>C system, is granted provided that the system conforms to the I<sup>2</sup>C Standard Specifications as defined by Philips.

SGS-THOMSON Microelectronics GROUP OF COMPANIES

Australia - Brazil - China - France - Germany - Hong Kong - Italy - Japan - Korea - Malaysia - Malta - Morocco  
The Netherlands - Singapore - Spain - Sweden - Switzerland - Taiwan - Thailand - United Kingdom - U.S.A.