

To all our customers

Regarding the change of names mentioned in the document, such as Hitachi Electric and Hitachi XX, to Renesas Technology Corp.

The semiconductor operations of Mitsubishi Electric and Hitachi were transferred to Renesas Technology Corporation on April 1st 2003. These operations include microcomputer, logic, analog and discrete devices, and memory chips other than DRAMs (flash memory, SRAMs etc.) Accordingly, although Hitachi, Hitachi, Ltd., Hitachi Semiconductors, and other Hitachi brand names are mentioned in the document, these names have in fact all been changed to Renesas Technology Corp. Thank you for your understanding. Except for our corporate trademark, logo and corporate statement, no changes whatsoever have been made to the contents of the document, and these changes do not constitute any alteration to the contents of the document itself.

Renesas Technology Home Page: <http://www.renesas.com>

Renesas Technology Corp.
Customer Support Dept.
April 1, 2003

Cautions

Keep safety first in your circuit designs!

1. Renesas Technology Corporation puts the maximum effort into making semiconductor products better and more reliable, but there is always the possibility that trouble may occur with them. Trouble with semiconductors may lead to personal injury, fire or property damage.

Remember to give due consideration to safety when making your circuit designs, with appropriate measures such as (i) placement of substitutive, auxiliary circuits, (ii) use of nonflammable material or (iii) prevention against any malfunction or mishap.

Notes regarding these materials

1. These materials are intended as a reference to assist our customers in the selection of the Renesas Technology Corporation product best suited to the customer's application; they do not convey any license under any intellectual property rights, or any other rights, belonging to Renesas Technology Corporation or a third party.
2. Renesas Technology Corporation assumes no responsibility for any damage, or infringement of any third-party's rights, originating in the use of any product data, diagrams, charts, programs, algorithms, or circuit application examples contained in these materials.
3. All information contained in these materials, including product data, diagrams, charts, programs and algorithms represents information on products at the time of publication of these materials, and are subject to change by Renesas Technology Corporation without notice due to product improvements or other reasons. It is therefore recommended that customers contact Renesas Technology Corporation or an authorized Renesas Technology Corporation product distributor for the latest product information before purchasing a product listed herein.
The information described here may contain technical inaccuracies or typographical errors. Renesas Technology Corporation assumes no responsibility for any damage, liability, or other loss rising from these inaccuracies or errors.
Please also pay attention to information published by Renesas Technology Corporation by various means, including the Renesas Technology Corporation Semiconductor home page (<http://www.renesas.com>).
4. When using any or all of the information contained in these materials, including product data, diagrams, charts, programs, and algorithms, please be sure to evaluate all information as a total system before making a final decision on the applicability of the information and products. Renesas Technology Corporation assumes no responsibility for any damage, liability or other loss resulting from the information contained herein.
5. Renesas Technology Corporation semiconductors are not designed or manufactured for use in a device or system that is used under circumstances in which human life is potentially at stake. Please contact Renesas Technology Corporation or an authorized Renesas Technology Corporation product distributor when considering the use of a product contained herein for any specific purposes, such as apparatus or systems for transportation, vehicular, medical, aerospace, nuclear, or undersea repeater use.
6. The prior written approval of Renesas Technology Corporation is necessary to reprint or reproduce in whole or in part these materials.
7. If these products or technologies are subject to the Japanese export control restrictions, they must be exported under a license from the Japanese government and cannot be imported into a country other than the approved destination.
Any diversion or reexport contrary to the export control laws and regulations of Japan and/or the country of destination is prohibited.
8. Please contact Renesas Technology Corporation for further details on these materials or the products contained therein.

HM62G36256A Series

9M Synchronous Late Write Fast Static RAM
(256-kword × 36-bit)



ADE-203-1267C (Z)
Rev. 1.0
May. 13, 2002

Description

The HM62G36256A is a synchronous fast static RAM organized as 256-kword × 36-bit. It has realized high speed access time by employing the most advanced CMOS process and high speed circuit designing technology. It is most appropriate for the application which requires high speed, high density memory and wide bit width configuration, such as cache and buffer memory in system. It is packaged in standard 119-bump BGA.

Note: All power supply and ground pins must be connected for proper operation of the device.

Features

- 2.5 V ± 5% and 3.3 V ± 5% operation and 0.9 V (V_{REF}), 1.8 V (V_{DDQ})
- Internal self-timed late write
- Byte write control (4 byte write selects, one for each 9-bit)
- Optional ×18 configuration
- HSTL compatible I/O
- Programmable impedance output drivers
- User selective input trip-point
- Differential, HSTL clock inputs
- Asynchronous \overline{G} output control
- Asynchronous sleep mode
- Limited set of boundary scan JTAG IEEE 1149.1 compatible
- Protocol: Single clock register-register mode

Ordering Information

Type No.	Access time	Cycle time	Package
HM62G36256ABP-30	1.7 ns	3.0 ns	119-bump 1.27 mm
HM62G36256ABP-33	1.7 ns	3.3 ns	14 mm × 22 mm BGA (BP-119C)
HM62G36256ABP-40	2.0 ns	4.0 ns	

HM62G36256A Series

Pin Arrangement

	1	2	3	4	5	6	7
A	V _{DDQ}	SA0	SA1	NC	SA13	SA12	V _{DDQ}
B	NC	NC	SA2	NC	SA14	SA11	NC
C	NC	SA3	SA4	V _{DD}	SA5	SA6	NC
D	DQc5	DQc0	V _{SS}	ZQ	V _{SS}	DQb0	DQb5
E	DQc4	DQc3	V _{SS}	\overline{SS}	V _{SS}	DQb3	DQb4
F	V _{DDQ}	DQc1	V _{SS}	\overline{G}	V _{SS}	DQb1	V _{DDQ}
G	DQc8	DQc6	\overline{SWEc}	NC	\overline{SWEb}	DQb6	DQb8
H	DQc7	DQc2	V _{SS}	NC	V _{SS}	DQb2	DQb7
J	V _{DDQ}	V _{DD}	V _{REF}	V _{DD}	V _{REF}	V _{DD}	V _{DDQ}
K	DQd7	DQd2	V _{SS}	K	V _{SS}	DQa2	DQa7
L	DQd8	DQd6	\overline{SWEd}	\overline{K}	\overline{SWEa}	DQa6	DQa8
M	V _{DDQ}	DQd1	V _{SS}	\overline{SWE}	V _{SS}	DQa1	V _{DDQ}
N	DQd4	DQd3	V _{SS}	SA8	V _{SS}	DQa3	DQa4
P	DQd5	DQd0	V _{SS}	SA10	V _{SS}	DQa0	DQa5
R	NC	SA7	M1	V _{DD}	M2	SA15	NC
T	NC	NC	SA9	SA16	SA17	NC	ZZ
U	V _{DDQ}	TMS	TDI	TCK	TDO	NC	V _{DDQ}

(Top view)

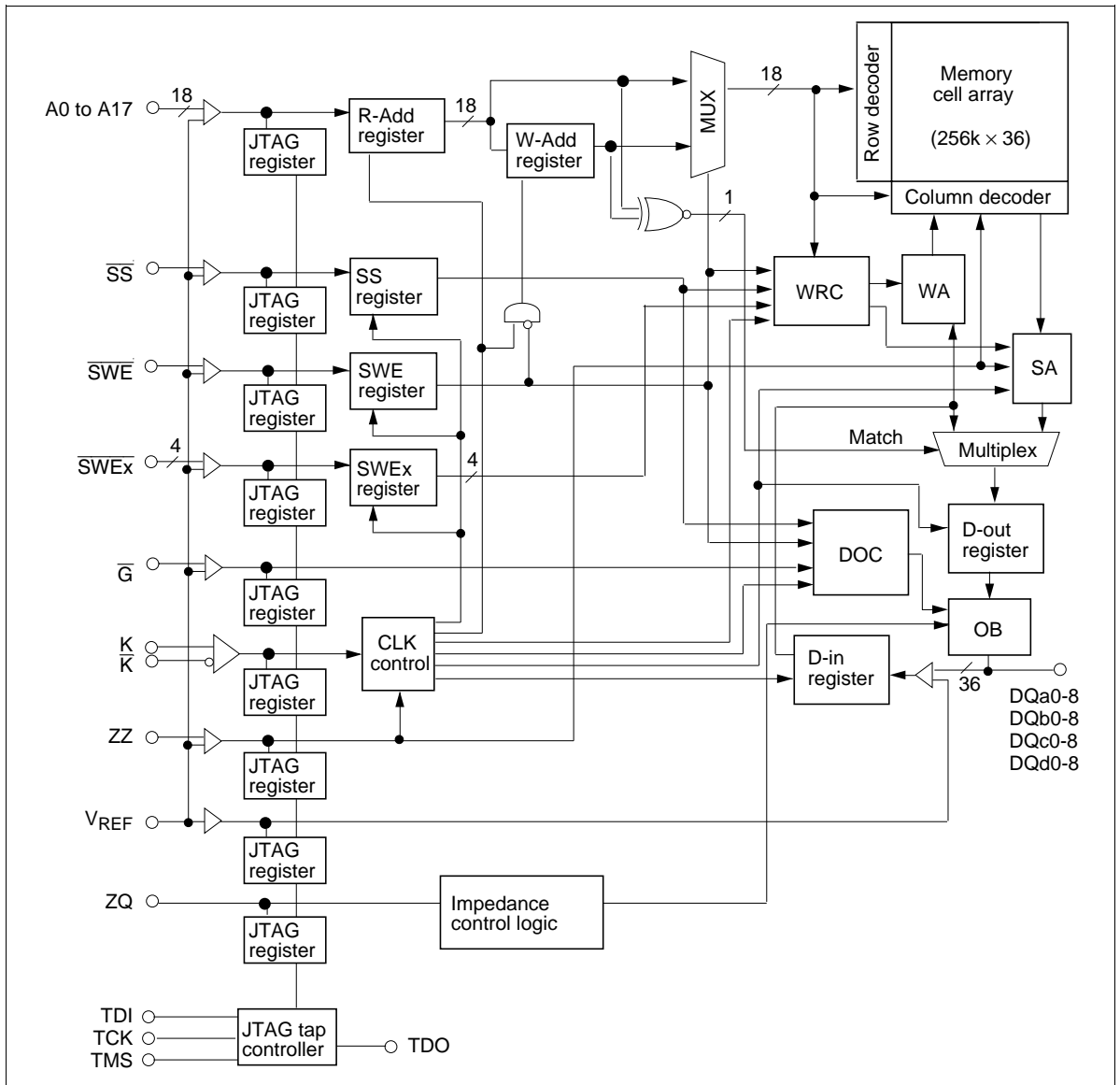
Pin Description

Name	I/O type	Descriptions	Notes
V_{DD}	Supply	Core power supply	
V_{SS}	Supply	Ground	
V_{DDQ}	Supply	Output power supply	
V_{REF}	Supply	Input reference: provides input reference voltage	
K	Input	Clock input. Active high.	
\bar{K}	Input	Clock input. Active low.	
\bar{SS}	Input	Synchronous chip select	
\bar{SWE}	Input	Synchronous write enable	
SA _n	Input	Synchronous address input	n = 0-17
\bar{SWE}_x	Input	Synchronous byte write enables	x = a, b, c, d
\bar{G}	Input	Asynchronous output enable	
ZZ	Input	Power down mode select	
ZQ	Input	Output impedance control	1
DQ _{xn}	I/O	Synchronous data input/output	x = a, b, c, d n = 0, 1, 2...8
M1, M2	Input	Output protocol mode select	
TMS	Input	Boundary scan test mode select	
TCK	Input	Boundary scan test clock	
TDI	Input	Boundary scan test data input	
TDO	Output	Boundary scan test data output	
NC	—	No connection	

M1	M2	Protocol	Notes
V_{SS}	V_{DD}	Synchronous register to register operation	2

- Notes: 1. ZQ is to be connected to V_{SS} via a resistance RQ where $175 \Omega \leq RQ \leq 350 \Omega$. If ZQ = V_{DDQ} or open, output buffer impedance will be maximum.
2. There is 1 protocol with mode pin. For this application, M1 and M2 need to connect to V_{SS} and V_{DD} , respectively. The state of the Mode control inputs must be set before power-up and must not change during device operation. Mode control inputs are not standard inputs and may not meet V_{IH} or V_{IL} specification. This SRAM is tested only in the synchronous register to register operation.

Block Diagram



Operation Table

ZZ	SS	G	SWE	SWEa	SWEb	SWEc	SWEd	K	K̄	Operation	DQ (n)	DQ (n + 1)
H	x	x	x	x	x	x	x	x	x	sleep mode	High-Z	High-Z
L	H	x	x	x	x	x	x	L-H	H-L	Dead (not selected)	x	High-Z
L	x	H	H	x	x	x	x	x	x	Dead (Dummy read)	High-Z	x
L	L	L	H	x	x	x	x	L-H	H-L	Read	x	Dout (a,b,c,d)0-8
L	L	x	L	L	L	L	L	L-H	H-L	Write a, b, c, d byte	High-Z	Din (a,b,c,d)0-8
L	L	x	L	H	L	L	L	L-H	H-L	Write b, c, d byte	High-Z	Din (b,c,d)0-8
L	L	x	L	L	H	L	L	L-H	H-L	Write a, c, d byte	High-Z	Din (a,c,d)0-8
L	L	x	L	L	L	H	L	L-H	H-L	Write a, b, d byte	High-Z	Din (a,b,d)0-8
L	L	x	L	L	L	L	H	L-H	H-L	Write a, b, c byte	High-Z	Din (a,b,c)0-8
L	L	x	L	H	H	L	L	L-H	H-L	Write c, d byte	High-Z	Din (c,d)0-8
L	L	x	L	L	H	H	L	L-H	H-L	Write a, d byte	High-Z	Din (a,d)0-8
L	L	x	L	L	L	H	H	L-H	H-L	Write a, b byte	High-Z	Din (a,b)0-8
L	L	x	L	H	L	L	H	L-H	H-L	Write b, c byte	High-Z	Din (b,c)0-8
L	L	x	L	H	H	H	L	L-H	H-L	Write d byte	High-Z	Din (d)0-8
L	L	x	L	H	H	L	H	L-H	H-L	Write c byte	High-Z	Din (c)0-8
L	L	x	L	H	L	H	H	L-H	H-L	Write b byte	High-Z	Din (b)0-8
L	L	x	L	L	H	H	H	L-H	H-L	Write a byte	High-Z	Din (a)0-8

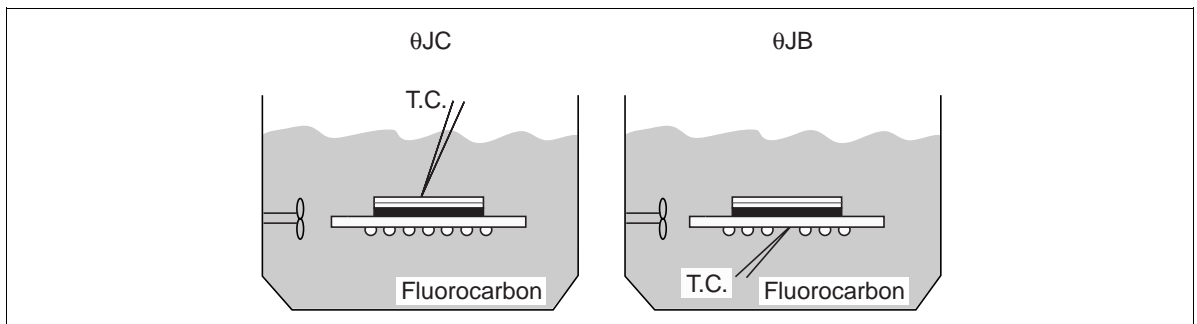
- Notes: 1. x means don't care for synchronous inputs, and H or L for asynchronous inputs.
 2. SWE, SS, SWEa to SWEd, SA are sampled at the rising edge of K clock.
 3. Although differential clock operation is implied, this SRAM will operate properly with one clock phase (either K or K̄) tied to V_{REF}. Under such single-ended clock operation, all parameters specified within this document will be met.

Absolute Maximum Ratings

Parameter	Symbol	Value	Unit	Notes
Input voltage on any pin	V_{IN}	-0.5 to $V_{DDQ} + 0.5$	V	1, 4
Core supply voltage	V_{DD}	-0.5 to 3.9	V	1
Output supply voltage	V_{DDQ}	-0.5 to 2.2	V	1, 4
Operating temperature	T_{OPR}	0 to 70	°C	
Storage temperature	T_{STG}	-55 to 125	°C	
Output short-circuit current	I_{OUT}	25	mA	
Latch up current	I_{LI}	200	mA	
Package junction to case thermal resistance	θ_{JC}	2	°C/W	5, 7
Package junction to ball thermal resistance	θ_{JB}	5	°C/W	6, 7

Notes: 1. All voltage is referred to V_{SS} .

- Permanent device damage may occur if Absolute Maximum Ratings are exceeded. Functional operation should be restricted the Operation Conditions. Exposure to higher than recommended voltages for extended periods of time could affect device reliability.
- These CMOS memory circuits have been designed to meet the DC and AC specifications shown in the tables after thermal equilibrium has been established.
- The following supply voltage application sequence is recommended: V_{SS} , V_{DD} , V_{DDQ} , V_{REF} then V_{in} . Remember, according to the Absolute Maximum Ratings table, V_{DDQ} is not exceed 2.2 V, whatever the instantaneous value of V_{DDQ} .
- θ_{JC} is measured at the center of mold surface in fluorocarbon (See Figure "Definition of Measurement").
- θ_{JB} is measured on the center ball pad after removing the ball in fluorocarbon (See Figure "Definition of Measurement").
- These thermal resistance values have error of $\pm 5^\circ\text{C/W}$.



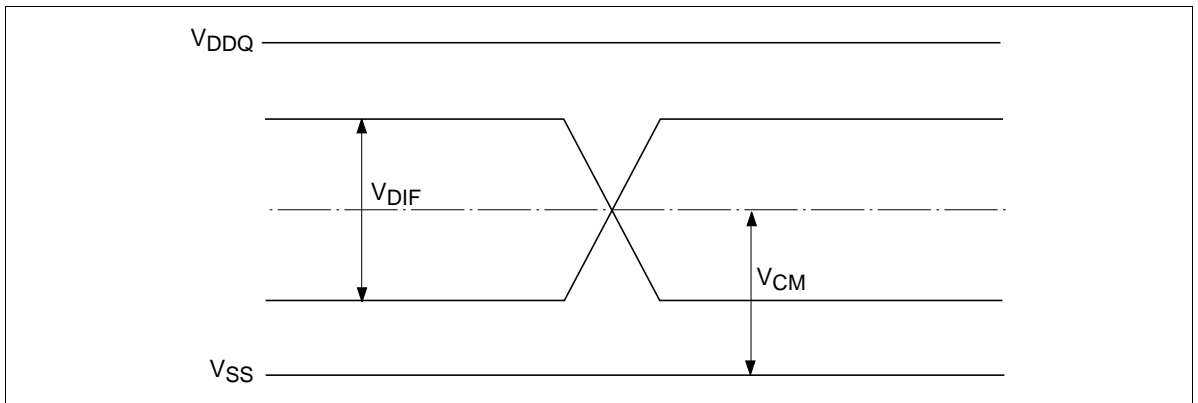
Definition of Measurement

Note: The following the DC and AC specifications shown in the Tables, this device is tested under the minimum transverse air flow exceeding 500 linear feet per minute.

DC Operating Conditions (Ta = 0 to 70°C)

Parameter	Symbol	Min	Typ	Max	Unit	Notes
Supply voltage (Core)	V_{DD}	2.38	2.5	2.63	V	2.5 V part
	V_{DD}	3.14	3.3	3.47	V	3.3 V part
Supply voltage (I/O)	V_{DDQ}	1.6	1.8	2.0	V	
Input reference voltage (I/O)	V_{REF}	0.8	0.9	1.0	V	1
Input high voltage	V_{IH}	$V_{REF} + 0.1$	—	$V_{DDQ} + 0.3$	V	
Input low voltage	V_{IL}	-0.3	—	$V_{REF} - 0.1$	V	
Clock differential voltage	V_{DIF}	0.1	—	$V_{DDQ} + 0.3$	V	2, 3
Clock common mode voltage	V_{CM}	0.6	—	0.90	V	3

- Notes:
1. Peak to peak AC component superimposed on V_{REF} may not exceed 5% of V_{REF} .
 2. Minimum differential input voltage required for differential input clock operation.
 3. See following figure.



Differential Voltage/Common Mode Voltage

HM62G36256A Series

DC Characteristics (Ta = 0 to 70°C, V_{DD} = 2.5 V ± 5%, 3.3 V ± 5%)

Parameter	Symbol	Min	Typ	Max	Unit	Notes
Input leakage current	I _{LI}	—	—	2	μA	1
Output leakage current	I _{LO}	—	—	5	μA	2
Standby current	I _{SBZZ}	—	—	100	mA	3
V _{DD} operating current, excluding output drivers 4 ns cycle	I _{DD4}	—	—	400	mA	4
V _{DD} operating current, excluding output drivers 3 ns and 3.3 ns cycle	I _{DD3}	—	—	500	mA	4
Quiescent active power supply current	I _{DD2}	—	—	200	mA	5
Maximum Power Dissipation, including output data	P	—	—	2.3 at 2.5 V part	W	6
				2.8 at 3.3 V part		
Output low voltage (Programmable impedance Mode)	V _{OL1}	V _{SS}	—	V _{DDQ/2}	V	
Output low voltage (Programmable impedance Mode)	V _{OH1}	V _{DDQ/2}	—	V _{DDQ}	V	
Output low voltage	V _{OL2}	V _{SS}	—	V _{SS} + 0.4	V	7
Output high voltage	V _{OH2}	V _{DDQ} - 0.4	—	V _{DDQ}	V	8
ZQ pin connect resistance	RQ	175	250	350	Ω	
Output low current	I _{OL}	(V _{DDQ/2})/ [{(RQ/5 - 4 Ω)}-15%]	—	(V _{DDQ/2})/ [{(RQ/5 - 4 Ω)}+15%]	mA	9, 11, 12
Output high current	I _{OH}	(V _{DDQ/2})/ [{(RQ/5 - 4 Ω)} +15%]	—	(V _{DDQ/2})/ [{(RQ/5 - 4 Ω)}-15%]	mA	10, 11, 12

- Notes:
- 0 ≤ Vin ≤ V_{DDQ} for all input pins (except V_{REF}, ZQ, M1, M2 pin).
 - 0 ≤ Vout ≤ V_{DDQ}, DQ in High-Z.
 - All inputs (except clock) are held at either V_{IH} or V_{IL}, ZZ is held at V_{IH}, Iout = 0 mA. Spec is guaranteed at 75°C junction temperature.
 - Iout = 0 mA, read 50%/write 50%, V_{DD} = V_{DD} max, V_{IN} = V_{IH} or V_{IL}, Frequency = minimum cycle.
 - Iout = 0 mA, read 50%/write 50%, V_{DD} = V_{DD} max, V_{IN} = V_{IH} or V_{IL}, Frequency = 3 MHz.
 - Output drives a 12 pF load and switches every cycle. This parameter should be used by the SRAM designer to determine electrical and package requirements for the SRAM device.
 - RQ = 6 mA (RQ = 175 Ω).
 - RQ = -6 mA (RQ = 175 Ω).
 - V_{OL} = 1/2 V_{DDQ}.
 - V_{OH} = 1/2 V_{DDQ}.

11. Parameter tested with $RQ = 250 \Omega$ and $V_{DDQ} = 1.8 \text{ V}$.
12. Output buffer impedance can be programmed by terminating the ZQ pin to V_{SS} through a precision resistor (RQ). The value of RQ is five times the output impedance desired. The allowable range of RQ to guarantee impedance matching with a tolerance of 15% is 250 typical. If the status of ZQ pin is open, output impedance is maximum. Maximum impedance occurs with ZQ connected to V_{DDQ} . The impedance update of the output driver occurs when the SRAM is in High-Z. Write and Deselect operations will synchronously switch the SRAM into and out of High-Z, therefore triggering an update. The user may choose to invoke asynchronous \bar{G} updates by providing a \bar{G} setup and hold about the K clock to guarantee the proper update. At power-up, the output impedance defaults to minimum impedance. It will take 1024 cycles for the impedance to be completely updated if the programmed impedance is much higher than minimum impedance. The total external capacitance of ZQ pin must be less than 7.5 pF.

Capacitance ($T_a = 25^\circ\text{C}$, $f = 1 \text{ MHz}$)

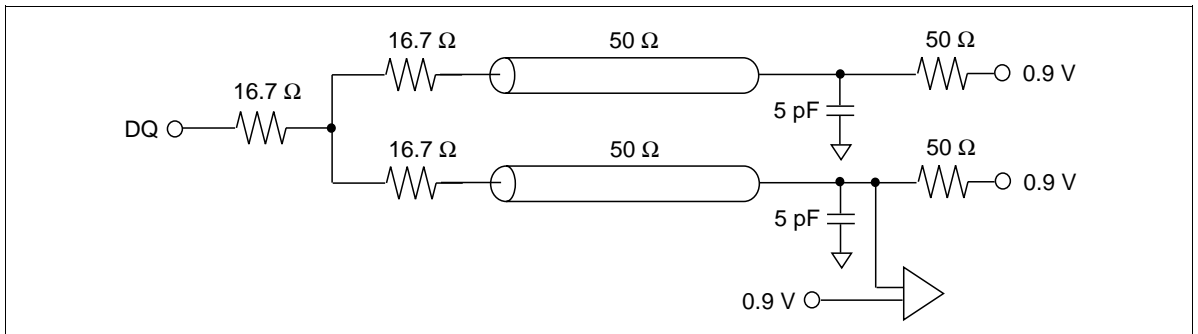
Parameter	Symbol	Min	Max	Unit	Note
Input capacitance ($\overline{\text{SAn}}$, $\overline{\text{SS}}$, $\overline{\text{SWE}}$, $\overline{\text{SWEx}}$)	C_{IN}	—	4	pF	1
Input capacitance (K, $\overline{\text{K}}$, $\overline{\text{G}}$)	C_{CLK}	—	5	pF	1
Input/Output capacitance (DQxn)	C_{IO}	—	5	pF	1

Note: 1. This parameter is sampled and not 100% tested.

AC Characteristics ($T_a = 0 \text{ to } 70^\circ\text{C}$, $V_{DD} = 2.5 \text{ V} \pm 5\%$ and $3.3 \text{ V} \pm 5\%$)

Test Conditions

- Input pulse levels (K, $\overline{\text{K}}$): $V_{DIF} = 0.75 \text{ V}$, $V_{CM} = 0.9 \text{ V}$
- Input timing reference level (K, $\overline{\text{K}}$): Differential cross point
- Input pulse levels (except K, $\overline{\text{K}}$): $V_{IL} = 0.3 \text{ V}$, $V_{IH} = 1.5 \text{ V}$
- Input and output timing reference levels (except K, $\overline{\text{K}}$): $V_{REF} = 0.9 \text{ V}$
- Input rise and fall time: 0.5 ns (10% to 90%)
- Output load: See figure
- Parameters are tested with $RQ = 250 \Omega$ and $V_{DDQ} = 1.8 \text{ V}$



HM62G36256A Series

AC Characteristics (Ta = 0 to 70°C, V_{DD} = 2.5 V ± 5% and 3.3 V ± 5%)

Single Differential Clock Register-Register Mode (M1 = V_{SS}, M2 = V_{DD})

Parameter	Symbol	HM62G36256A						Unit	Notes
		-30		-33		-40			
		Min	Max	Min	Max	Min	Max		
CK clock cycle time	t _{KHKH}	3.0	—	3.3	—	4.0	—	ns	
CK clock high width	t _{KHKL}	1.2	—	1.3	—	1.5	—	ns	
CK clock low width	t _{KLKH}	1.2	—	1.3	—	1.5	—	ns	
Address setup time	t _{AVKH}	0.5	—	0.5	—	0.5	—	ns	2
Data setup time	t _{DVKH}	0.5	—	0.5	—	0.5	—	ns	2
Address hold time	t _{KHAX}	0.5	—	0.5	—	0.5	—	ns	2
Data hold time	t _{KHDX}	0.5	—	0.5	—	0.5	—	ns	2
Clock high to output valid	t _{KHQV}	—	1.7	—	1.7	—	2.0	ns	1
Clock high to output hold	t _{KHQX}	0.5	—	0.5	—	0.5	—	ns	1, 2
Clock high to output Low-Z (SS control)	t _{KHQX2}	0.5	—	0.5	—	0.5	—	ns	1, 5
Clock high to output High-Z	t _{KHQZ}	—	2.0	—	2.0	—	2.0	ns	1, 3
Output enable low to output Low-Z	t _{GLQX}	0.3	—	0.3	—	0.3	—	ns	1, 2, 5
Output enable low to output valid	t _{GLQV}	—	1.7	—	1.7	—	2.0	ns	1, 3
Output enable low to output High-Z	t _{GHOZ}	—	1.5	—	1.5	—	1.5	ns	1, 3
Sleep mode recovery time	t _{ZZR}	10.0	—	10.0	—	10.0	—	ns	6
Sleep mode enable time	t _{ZZE}	—	9.0	—	9.0	—	9.0	ns	1, 3, 6

Notes: 1. See AC Test Loading figure.

2. Parameter is guaranteed by design.

3. Transitions are measured at start point of output high impedance from output low impedance.

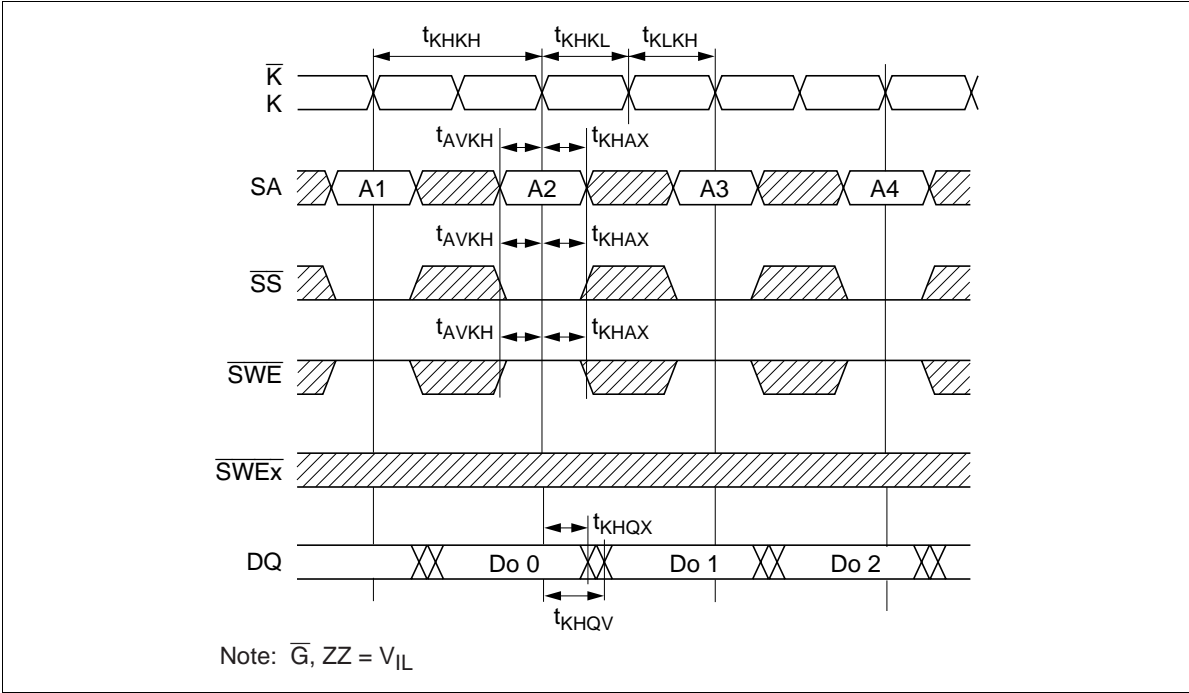
4. Output driver impedance update specifications for \bar{G} induced updates. Write and deselected cycles will also induce output driver updates during High-Z.

5. Transitions are measured ±200 mV from steady state voltage.

6. When ZZ is switching, clock input K must be at same logic levels for reliable operation.

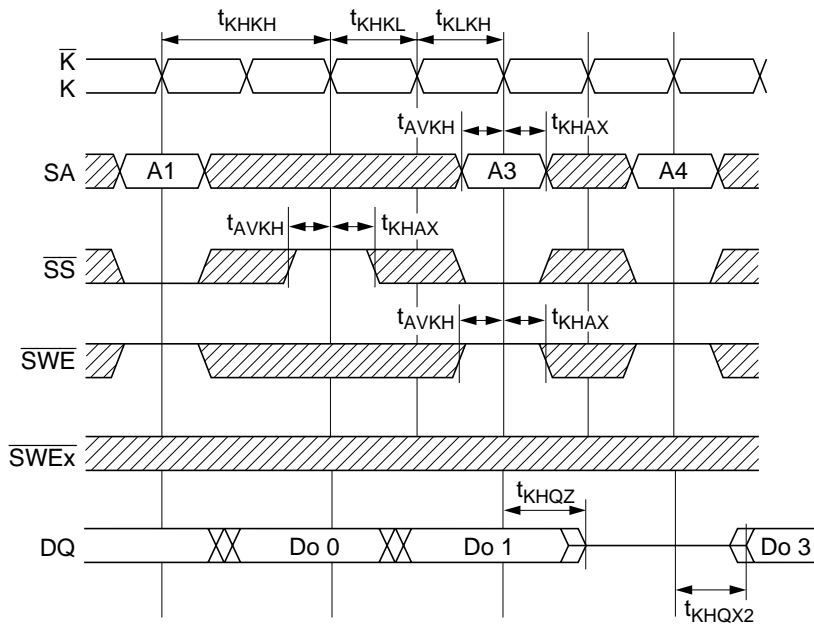
Timing Waveforms

Read Cycle-1



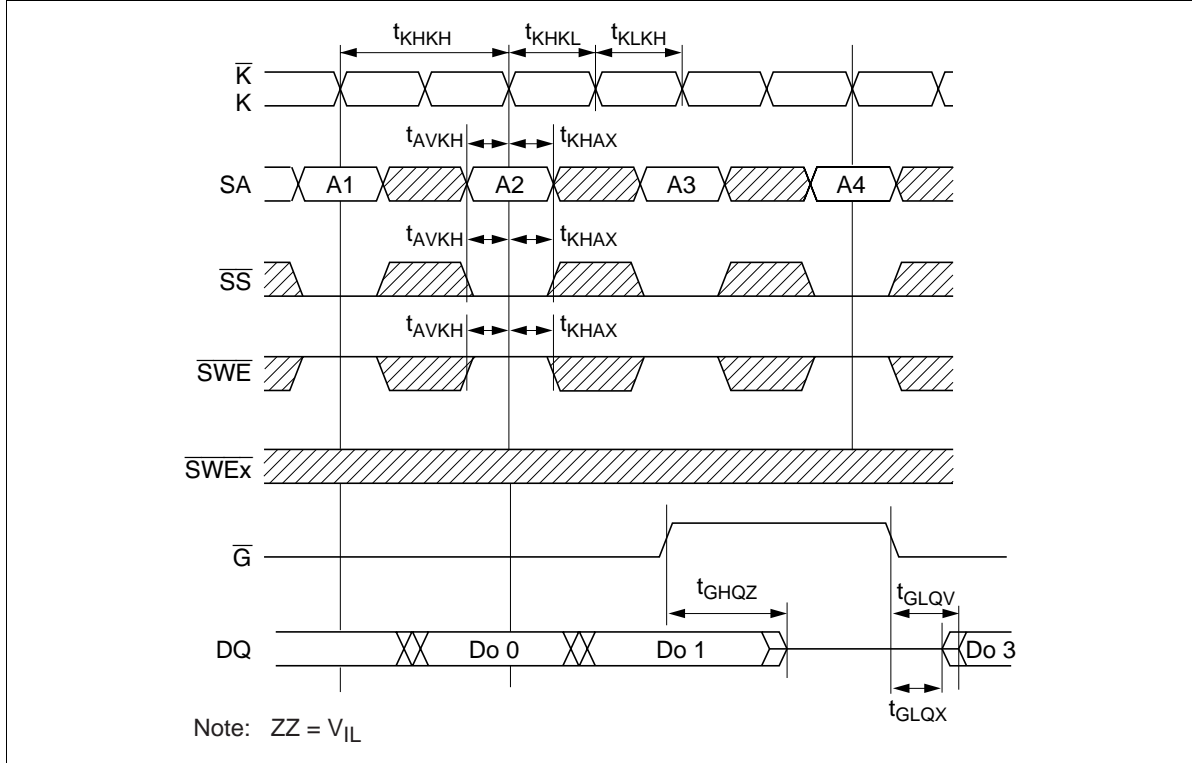
HM62G36256A Series

Read Cycle-2 (\overline{SS} Controlled)

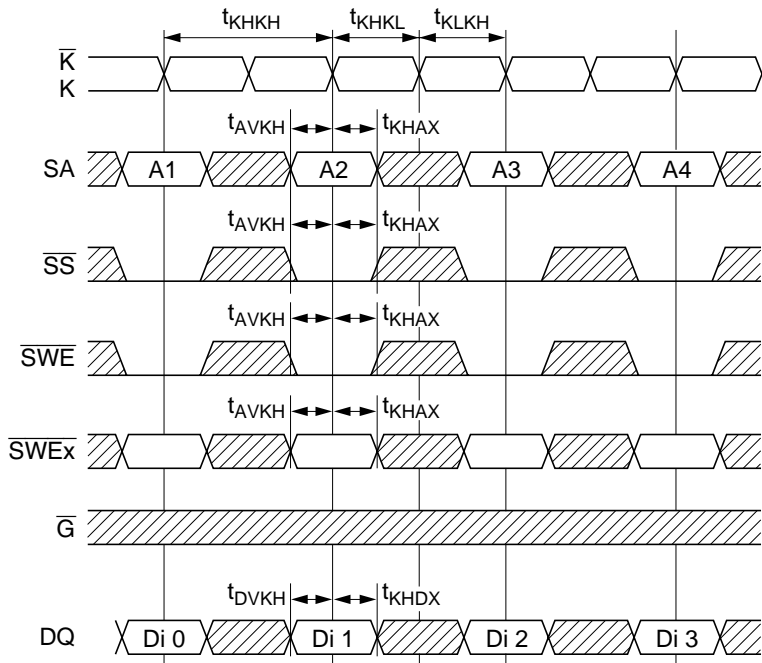


Note: \overline{G} , $ZZ = V_{IL}$

Read Cycle-3 (\overline{G} Controlled)

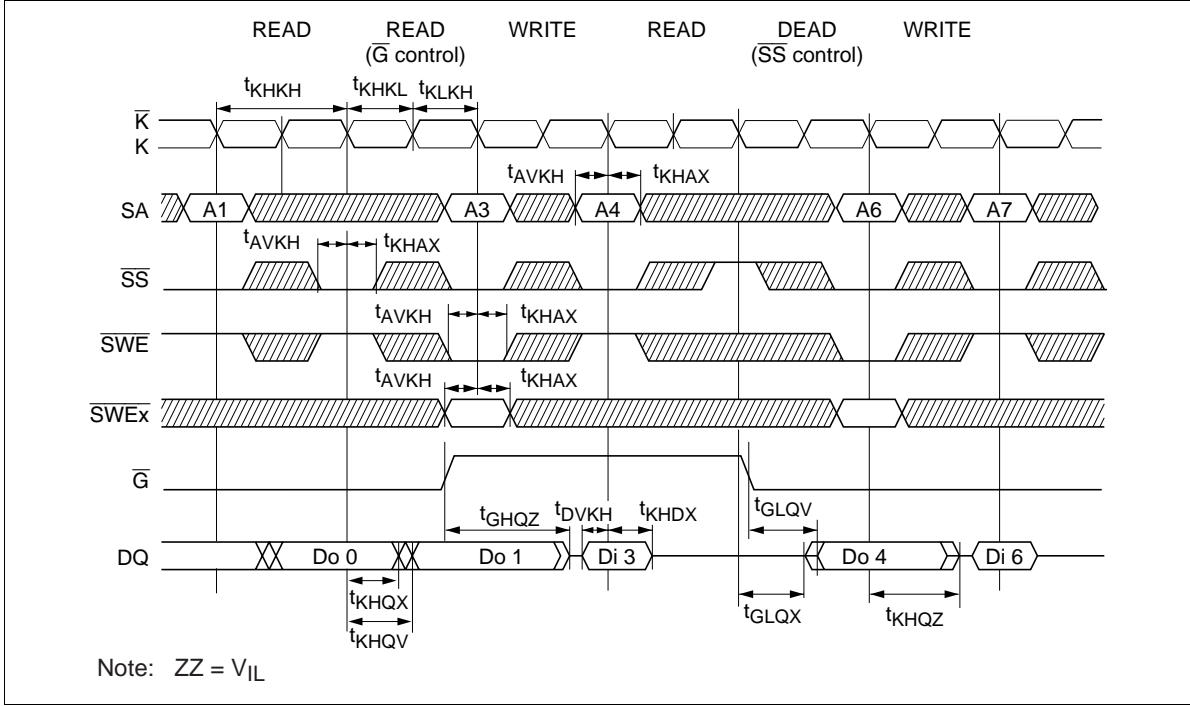


Write Cycle

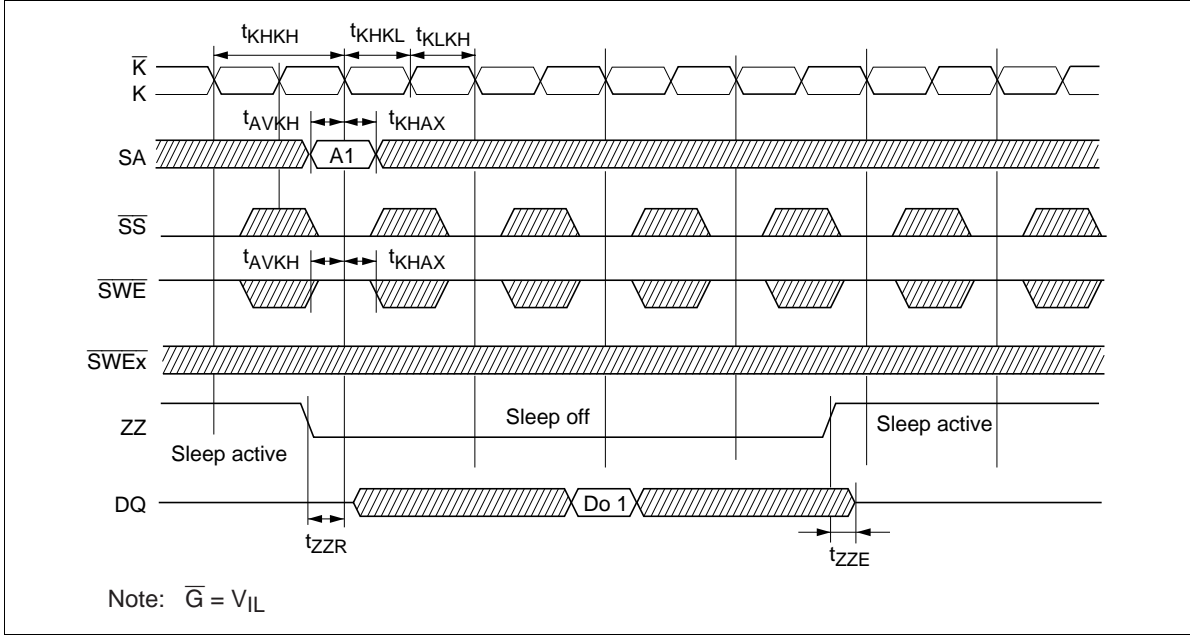


Note: ZZ = V_{IL}

Read-Write Cycle



ZZ Control



Boundary Scan Test Access Port Operations

In order to perform the interconnect testing of the modules that include this SRAM, the serial boundary scan test access port (TAP) is designed to operate in a manner consistent with IEEE Standard 1149.1 - 1990. But does not implement all of the functions required for 1149.1 compliance. The HM62G series contains a TAP controller. Instruction register, Boundary scans register, Bypass register and ID register.

Test Access Port Pins

Symbol I/O	Name
TCK	Test clock
TMS	Test mode select
TDI	Test data in
TDO	Test data out

Note: This Device does not have a TRST (TAP Reset) pin. TRST is optional in IEEE 1149.1. To disable the TAP, TCK must be connected to V_{SS} . TDO should be left unconnected. To test Boundary scan, ZZ pin need to be kept below $V_{REF} - 0.4 V$.

TAP DC Operating Conditions (Ta = 0 to 70°C)

Parameter	Symbol	Min	Max	Unit	Notes
Boundary scan input high voltage	V_{IH}	2.0	3.6	V	
Boundary scan input low voltage	V_{IL}	-0.3	0.8	V	
Boundary scan input leakage current	I_{LI}	-5	5	μA	1
Boundary scan output low voltage	V_{OL}	—	0.4	V	2
Boundary scan output high voltage	V_{OH}	2.4	—	V	3

Notes: 1. $0 \leq V_{in} \leq V_{DD}$ for all logic input pin.
2. $I_{OL} = 8 \text{ mA}$ at $V_{DD} = 3.3 \text{ V}$.
3. $I_{OH} = -8 \text{ mA}$ at $V_{DD} = 3.3 \text{ V}$.

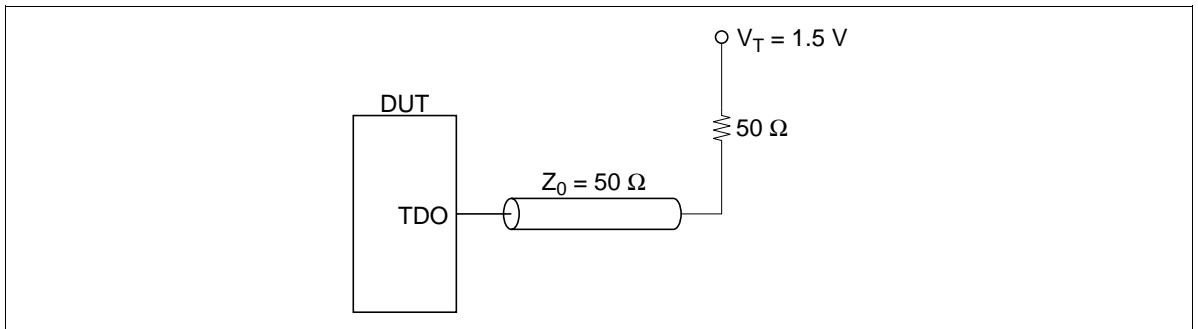
TAP AC Characteristics ($T_a = 0$ to 70°C)

Parameter	Symbol	Min	Max	Unit	Note
Test clock cycle time	t_{THTH}	67	—	ns	
Test clock high pulse width	t_{THTL}	30	—	ns	
Test clock low pulse width	t_{TLTH}	30	—	ns	
Test mode select setup	t_{MVTTH}	10	—	ns	
Test mode select hold	t_{THMX}	10	—	ns	
Capture setup	t_{CS}	10	—	ns	1
Capture hold	t_{CH}	10	—	ns	1
TDI valid to TCK high	t_{DVTTH}	10	—	ns	
TCK high to TDI don't care	t_{THDX}	10	—	ns	
TCK low to TDO unknown	t_{TLQX}	0	—	ns	
TCK low to TDO valid	t_{TLQV}	—	20	ns	

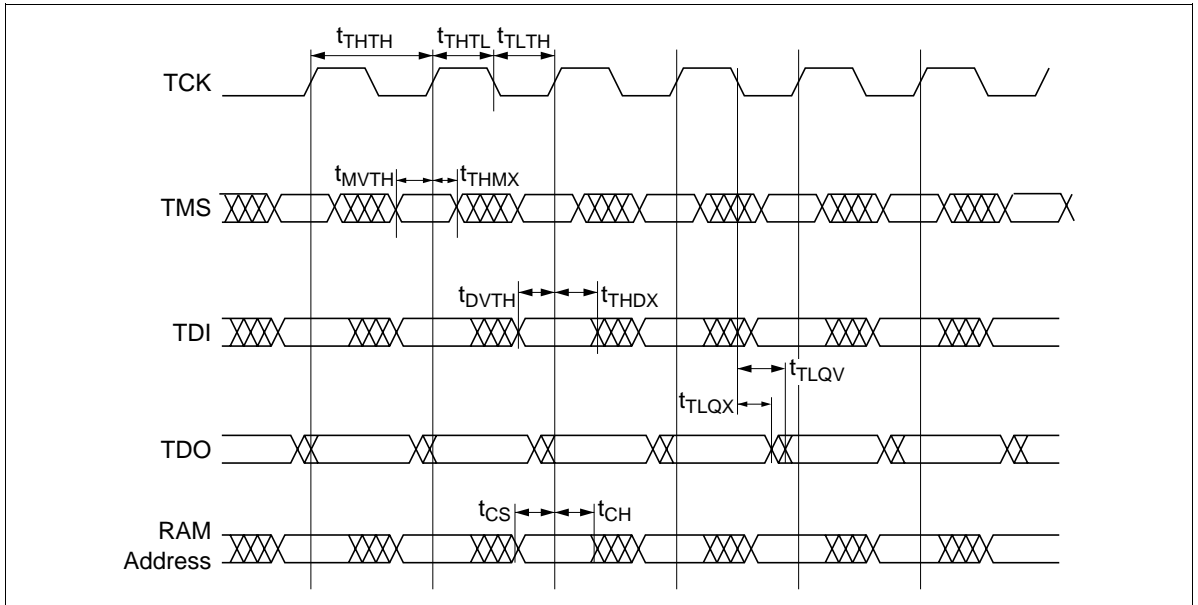
Note: 1. $t_{\text{CS}} + t_{\text{CH}}$ defines the minimum pause in RAM I/O pad transitions to assure pad data capture.

TAP Test Conditions ($V_{\text{DD}} = 3.3\text{ V}$)

- Temperature: $0^\circ\text{C} \leq T_a \leq 70^\circ\text{C}$
- Input timing measurement reference level: 1.5 V
- Input pulse levels: 0 to 3.0 V
- Input rise and fall time: 2.0 ns typical (10% to 90%)
- Output timing measurement reference level: 1.5 V
- Test load termination supply voltage (V_T): 1.5 V
- Output Load: See figures



TAP Controller Timing Diagram



Test Access Port Registers

Register name	Length	Symbol	Note
Instruction register	3 bits	IR [0;2]	
Bypass register	1 bit	BP	
ID register	32 bits	ID [0;31]	
Boundary scan register	70 bits	BS [1;70]	

TAP Controller Instruction Set

IR2	IR1	IR0	Instruction	Operation
0	0	0	SAMPLE-Z	Tristate all data drivers and capture the pad value
0	0	1	IDCODE	
0	1	0	SAMPLE-Z	Tristate all data drivers and capture the pad value
0	1	1	BYPASS	
1	0	0	SAMPLE	
1	0	1	BYPASS	
1	1	0	BYPASS	
1	1	1	BYPASS	

Note: This Device does not perform EXTEST, INTEST or the preload portion of the PRELOAD command in IEEE 1149.1.

HM62G36256A Series

Boundary Scan Order

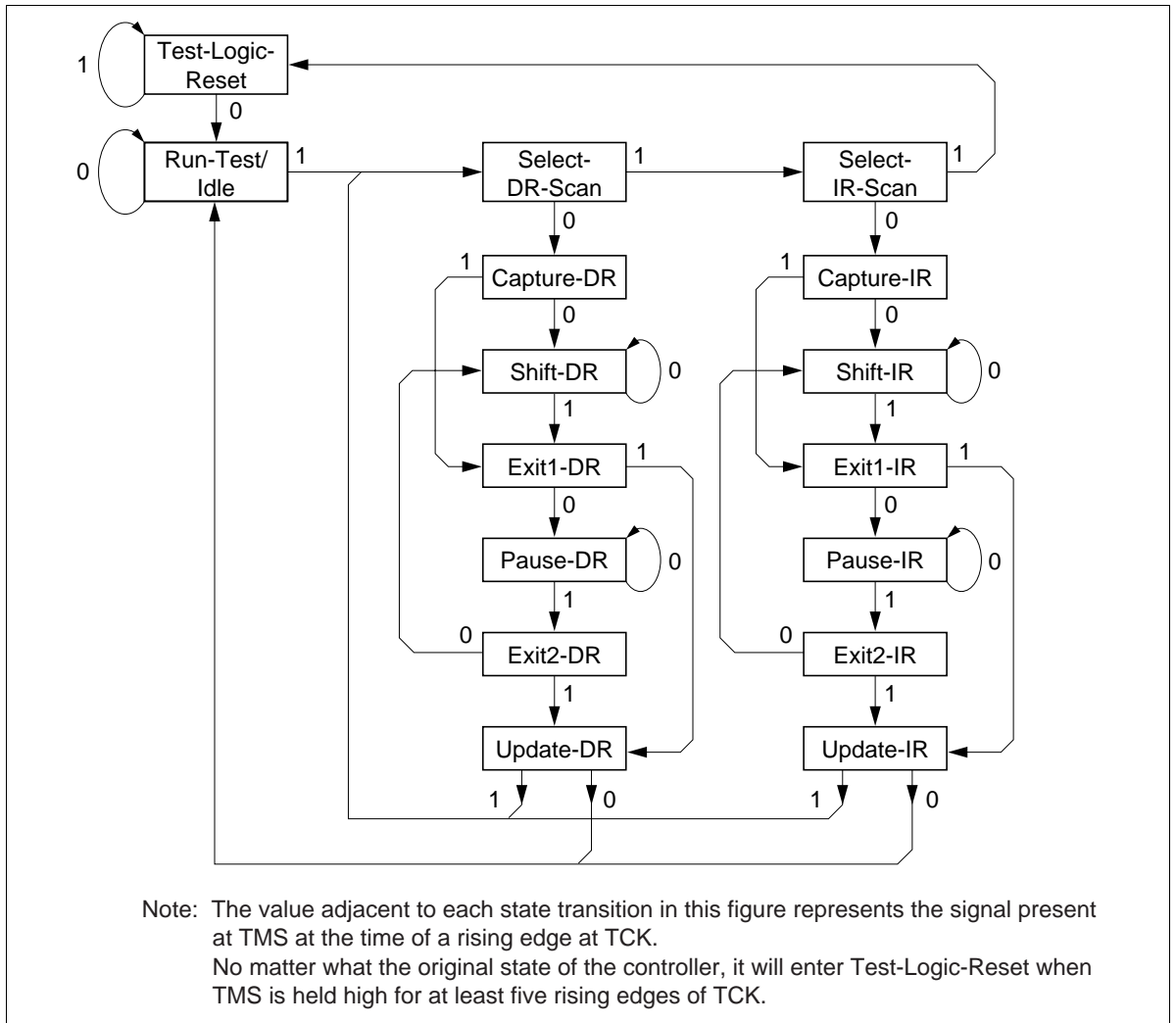
Bit No.	Bump ID	Signal name	Bit No.	Bump ID	Signal name
1	5R	M2	36	3B	SA
2	4P	SA	37	2B	NC
3	4T	SA	38	3A	SA
4	6R	SA	39	3C	SA
5	5T	SA	40	2C	SA
6	7T	ZZ	41	2A	SA
7	6P	DQa	42	2D	DQc
8	7P	DQa	43	1D	DQc
9	6N	DQa	44	2E	DQc
10	7N	DQa	45	1E	DQc
11	6M	DQa	46	2F	DQc
12	6L	DQa	47	2G	DQc
13	7L	DQa	48	1G	DQc
14	6K	DQa	49	2H	DQc
15	7K	DQa	50	1H	DQc
16	5L	$\overline{\text{SWEa}}$	51	3G	$\overline{\text{SWEc}}$
17	4L	$\overline{\text{K}}$	52	4D	ZQ
18	4K	K	53	4E	$\overline{\text{SS}}$
19	4F	$\overline{\text{G}}$	54	4G	NC
20	5G	$\overline{\text{SWEb}}$	55	4H	NC
21	7H	DQb	56	4M	$\overline{\text{SWE}}$
22	6H	DQb	57	3L	$\overline{\text{SWEd}}$
23	7G	DQb	58	1K	DQd
24	6G	DQb	59	2K	DQd
25	6F	DQb	60	1L	DQd
26	7E	DQb	61	2L	DQd
27	6E	DQb	62	2M	DQd
28	7D	DQb	63	1N	DQd
29	6D	DQb	64	2N	DQd
30	6A	SA	65	1P	DQd
31	6C	SA	66	2P	DQd
32	5C	SA	67	3T	SA
33	5A	SA	68	2R	SA
34	6B	SA	69	4N	SA
35	5B	SA	70	3R	M1

- Notes:
1. Bit#1 is the first scan bit to exit the chip.
 2. The NC pads listed in this table are indeed no connects, but are represented in the boundary scan register by a "Place Holder". Placeholder registers are internally connected to V_{SS} .
 3. In Boundary scan mode, differential input K and \bar{K} are referenced to each other and must be at opposite logic levels for reliable operation.
 4. ZZ must remain at V_{IL} during boundary scan.
 5. In boundary scan mode, ZQ must be driven to V_{DDQ} or V_{SS} supply rail to ensure consistent results.
 6. M1 and M2 must be driven to V_{DD} or V_{SS} supply rail to ensure consistent results.

ID register

Part	Revision Number (31:28)	Device Density and Configuration (27:18)	Vendor Definition (17:12)	Vendor JEDEC Code (11:1)	Smart Bit (0)
HM62G36256A	0010	0011000100	xxxxxx	00000000111	1

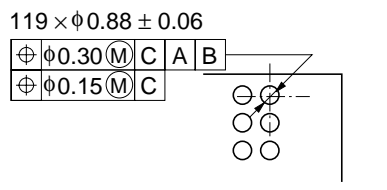
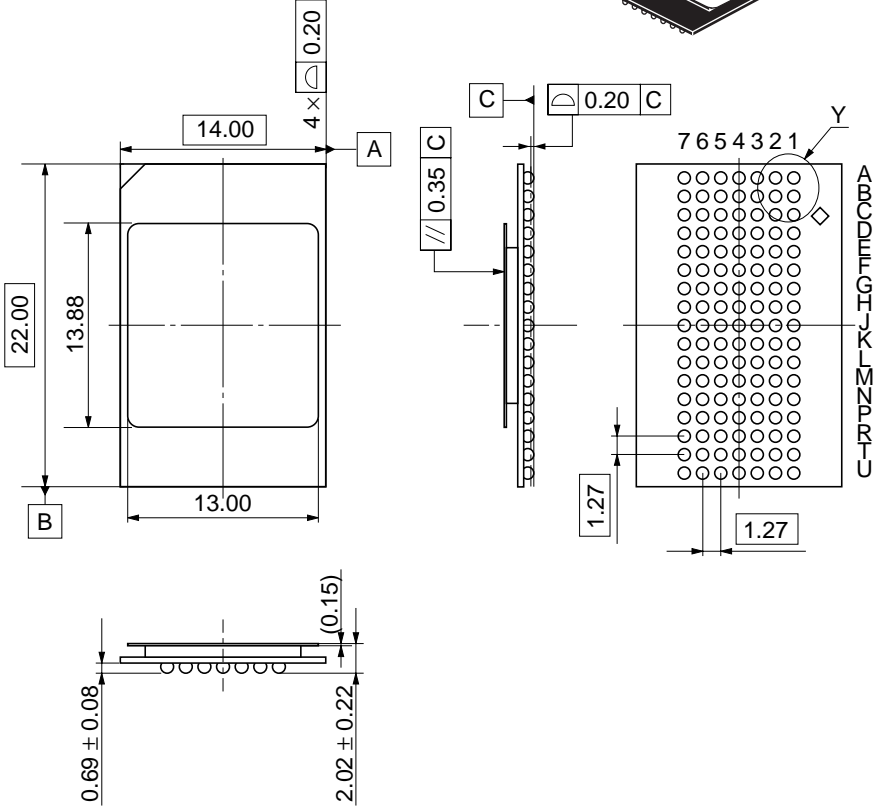
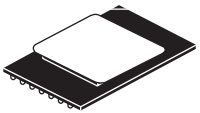
TAP Controller State Diagram



Package Dimensions

HM62G36256ABP Series (BP-119C)

As of January, 2002
Unit: mm



Details of the part Y

Hitachi Code	BP-119C
JEDEC	—
JEITA	—
Mass (reference value)	1.0 g

Cautions

1. Hitachi neither warrants nor grants licenses of any rights of Hitachi's or any third party's patent, copyright, trademark, or other intellectual property rights for information contained in this document. Hitachi bears no responsibility for problems that may arise with third party's rights, including intellectual property rights, in connection with use of the information contained in this document.
2. Products and product specifications may be subject to change without notice. Confirm that you have received the latest product standards or specifications before final design, purchase or use.
3. Hitachi makes every attempt to ensure that its products are of high quality and reliability. However, contact Hitachi's sales office before using the product in an application that demands especially high quality and reliability or where its failure or malfunction may directly threaten human life or cause risk of bodily injury, such as aerospace, aeronautics, nuclear power, combustion control, transportation, traffic, safety equipment or medical equipment for life support.
4. Design your application so that the product is used within the ranges guaranteed by Hitachi particularly for maximum rating, operating supply voltage range, heat radiation characteristics, installation conditions and other characteristics. Hitachi bears no responsibility for failure or damage when used beyond the guaranteed ranges. Even within the guaranteed ranges, consider normally foreseeable failure rates or failure modes in semiconductor devices and employ systemic measures such as fail-safes, so that the equipment incorporating Hitachi product does not cause bodily injury, fire or other consequential damage due to operation of the Hitachi product.
5. This product is not designed to be radiation resistant.
6. No one is permitted to reproduce or duplicate, in any form, the whole or part of this document without written approval from Hitachi.
7. Contact Hitachi's sales office for any questions regarding this document or Hitachi semiconductor products.

HITACHI

Hitachi, Ltd.

Semiconductor & Integrated Circuits
Nippon Bldg., 2-6-2, Ohte-machi, Chiyoda-ku, Tokyo 100-0004, Japan
Tel: (03) 3270-2111 Fax: (03) 3270-5109

URL <http://www.hitachisemiconductor.com/>

For further information write to:

Hitachi Semiconductor
(America) Inc.
179 East Tasman Drive
San Jose, CA 95134
Tel: <1> (408) 433-1990
Fax: <1> (408) 433-0223

Hitachi Europe Ltd.
Electronic Components Group
Whitebrook Park
Lower Cookham Road
Maidenhead
Berkshire SL6 8YA, United Kingdom
Tel: <44> (1628) 585000
Fax: <44> (1628) 585200

Hitachi Europe GmbH
Electronic Components Group
Dornacher Straße 3
D-85622 Feldkirchen
Postfach 201, D-85619 Feldkirchen
Germany
Tel: <49> (89) 9 9180-0
Fax: <49> (89) 9 29 30 00

Hitachi Asia Ltd.
Hitachi Tower
16 Collyer Quay #20-00
Singapore 049318
Tel: <65>-538-6533/538-8577
Fax: <65>-538-6933/538-3877
URL: <http://semiconductor.hitachi.com.sg>

Hitachi Asia Ltd.
(Taipei Branch Office)
4/F, No. 167, Tun Hwa North Road
Hung-Kuo Building
Taipei (105), Taiwan
Tel: <886>-(2)-2718-3666
Fax: <886>-(2)-2718-8180
Telex: 23222 HAS-TP
URL: <http://www.hitachi.com.tw>

Hitachi Asia (Hong Kong) Ltd.
Group III (Electronic Components)
7/F., North Tower
World Finance Centre,
Harbour City, Canton Road
Tsim Sha Tsui, Kowloon Hong Kong
Tel: <852>-(2)-735-9218
Fax: <852>-(2)-730-0281
URL: <http://semiconductor.hitachi.com.hk>

Copyright © Hitachi, Ltd., 2001. All rights reserved. Printed in Japan.

Colophon 5.0