

To all our customers

Regarding the change of names mentioned in the document, such as Hitachi Electric and Hitachi XX, to Renesas Technology Corp.

The semiconductor operations of Mitsubishi Electric and Hitachi were transferred to Renesas Technology Corporation on April 1st 2003. These operations include microcomputer, logic, analog and discrete devices, and memory chips other than DRAMs (flash memory, SRAMs etc.) Accordingly, although Hitachi, Hitachi, Ltd., Hitachi Semiconductors, and other Hitachi brand names are mentioned in the document, these names have in fact all been changed to Renesas Technology Corp. Thank you for your understanding. Except for our corporate trademark, logo and corporate statement, no changes whatsoever have been made to the contents of the document, and these changes do not constitute any alteration to the contents of the document itself.

Renesas Technology Home Page: <http://www.renesas.com>

Renesas Technology Corp.
Customer Support Dept.
April 1, 2003

Cautions

Keep safety first in your circuit designs!

1. Renesas Technology Corporation puts the maximum effort into making semiconductor products better and more reliable, but there is always the possibility that trouble may occur with them. Trouble with semiconductors may lead to personal injury, fire or property damage.

Remember to give due consideration to safety when making your circuit designs, with appropriate measures such as (i) placement of substitutive, auxiliary circuits, (ii) use of nonflammable material or (iii) prevention against any malfunction or mishap.

Notes regarding these materials

1. These materials are intended as a reference to assist our customers in the selection of the Renesas Technology Corporation product best suited to the customer's application; they do not convey any license under any intellectual property rights, or any other rights, belonging to Renesas Technology Corporation or a third party.
2. Renesas Technology Corporation assumes no responsibility for any damage, or infringement of any third-party's rights, originating in the use of any product data, diagrams, charts, programs, algorithms, or circuit application examples contained in these materials.
3. All information contained in these materials, including product data, diagrams, charts, programs and algorithms represents information on products at the time of publication of these materials, and are subject to change by Renesas Technology Corporation without notice due to product improvements or other reasons. It is therefore recommended that customers contact Renesas Technology Corporation or an authorized Renesas Technology Corporation product distributor for the latest product information before purchasing a product listed herein.
The information described here may contain technical inaccuracies or typographical errors. Renesas Technology Corporation assumes no responsibility for any damage, liability, or other loss rising from these inaccuracies or errors.
Please also pay attention to information published by Renesas Technology Corporation by various means, including the Renesas Technology Corporation Semiconductor home page (<http://www.renesas.com>).
4. When using any or all of the information contained in these materials, including product data, diagrams, charts, programs, and algorithms, please be sure to evaluate all information as a total system before making a final decision on the applicability of the information and products. Renesas Technology Corporation assumes no responsibility for any damage, liability or other loss resulting from the information contained herein.
5. Renesas Technology Corporation semiconductors are not designed or manufactured for use in a device or system that is used under circumstances in which human life is potentially at stake. Please contact Renesas Technology Corporation or an authorized Renesas Technology Corporation product distributor when considering the use of a product contained herein for any specific purposes, such as apparatus or systems for transportation, vehicular, medical, aerospace, nuclear, or undersea repeater use.
6. The prior written approval of Renesas Technology Corporation is necessary to reprint or reproduce in whole or in part these materials.
7. If these products or technologies are subject to the Japanese export control restrictions, they must be exported under a license from the Japanese government and cannot be imported into a country other than the approved destination.
Any diversion or reexport contrary to the export control laws and regulations of Japan and/or the country of destination is prohibited.
8. Please contact Renesas Technology Corporation for further details on these materials or the products contained therein.

HA17324A Series

Quad Operational Amplifier



ADE-204-031B (Z)

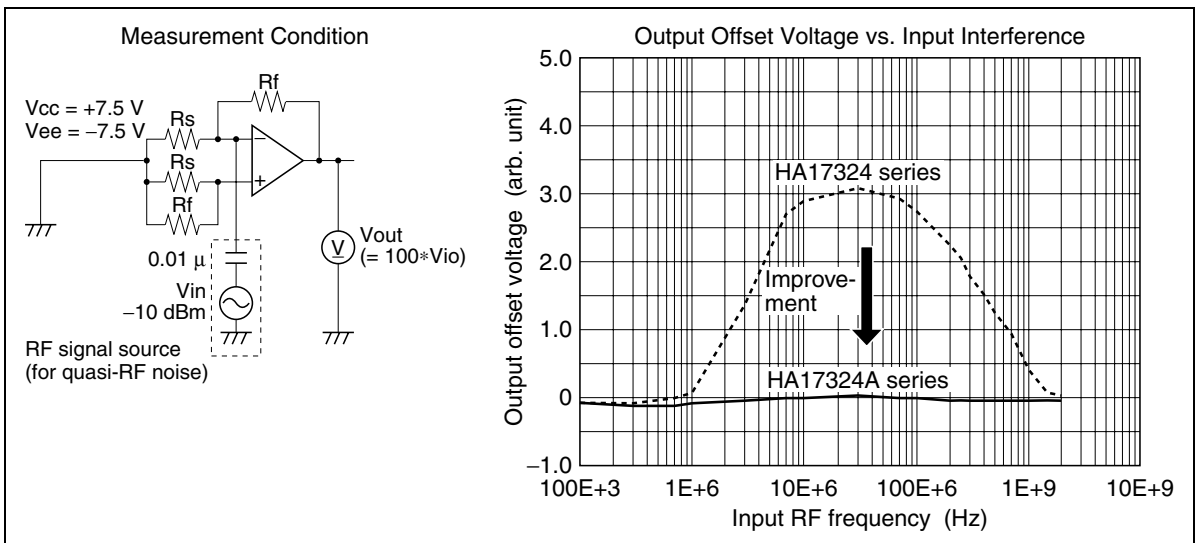
Rev.2
May 2001

Description

HA17324A series are quad operational amplifier that provide high gain and internal phase compensation, with single power supply. They can be widely used to control equipments.

Features

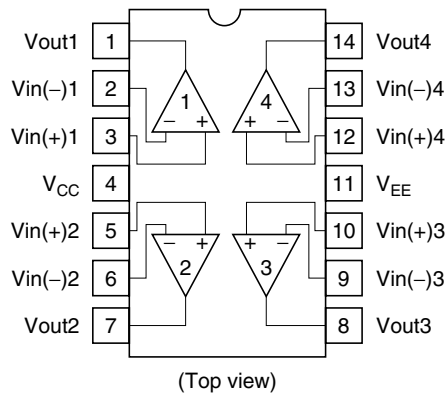
- Wide range of supply voltage, and single power supply used
- Internal phase compensation
- Wide range of common mode voltage, and possible to operate with an input about 0 V
- Low electro-magnetic susceptibility level



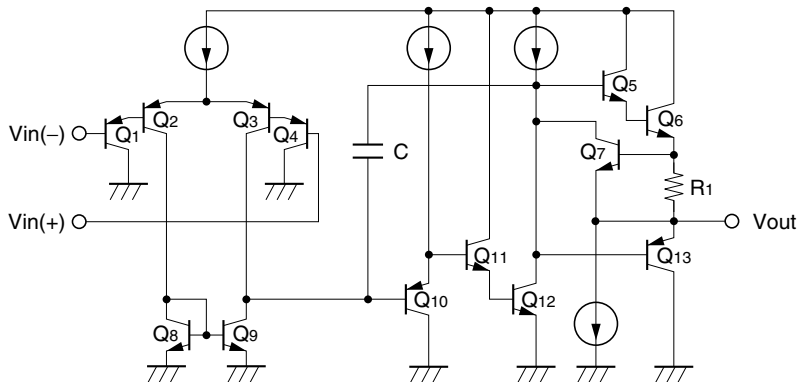
Ordering Information

Type No.	Application	Package
HA17324A	Commercial use	DP-14
HA17324AF		FP-14DA
HA17324ARP		FP-14DN

Pin Arrangement



Circuit Schematic (1/4)



Absolute Maximum Ratings

(Ta = 25°C)

Item	Symbol	Ratings	Unit
Supply voltage	V _{CC}	32	V
Sink current	I _{sink}	50	mA
Power dissipation	P _T	625 *1,2	mW
Common mode input voltage	V _{CM}	-0.3 to V _{CC}	V
Differential input voltage	V _{in} (diff)	±V _{CC}	V
Operating temperature	Topr	-40 to +85	°C
Storage temperature	Tstg	-55 to +125	°C

Notes: 1. For the DILP package.

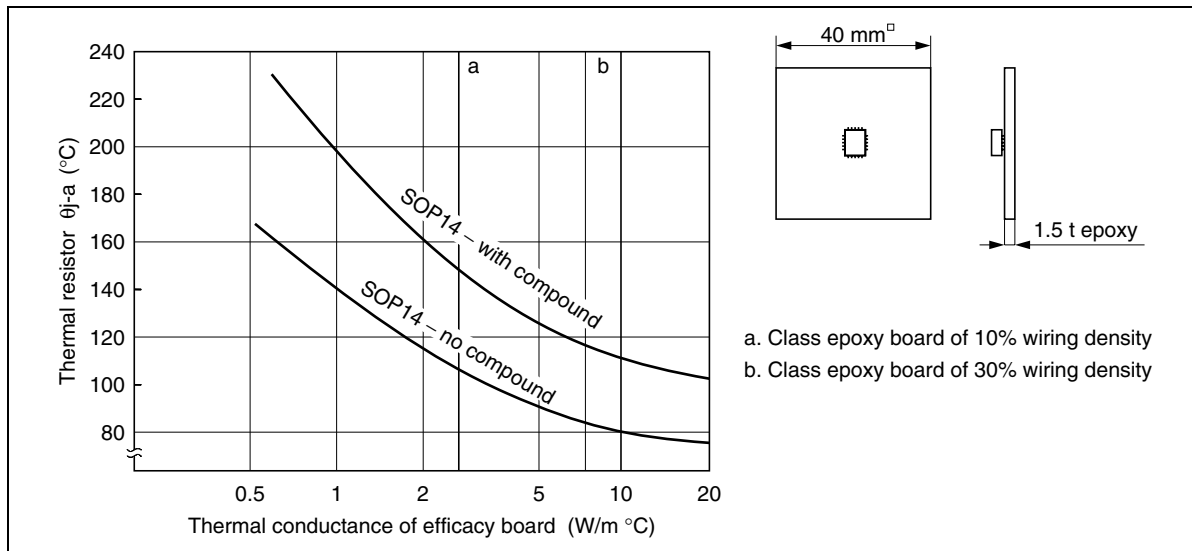
This is the allowable values up to Ta = 50°C. Derate by 8.3 mW/°C.

2. For the SOP package.

T_{jmax} = θ_{j-a} · P_{c,max} + Ta (θ_{j-a}; Thermal resistor between junction and ambient at set board use).

The wiring density and the material of the set board must be chosen for thermal conductance of efficacy board.

And P_{c,max} cannot be over the value of P_T.



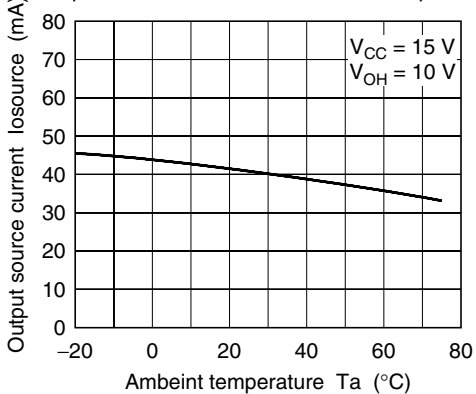
Electrical Characteristics

($V_{CC} = +15\text{ V}$, $T_a = 25^\circ\text{C}$)

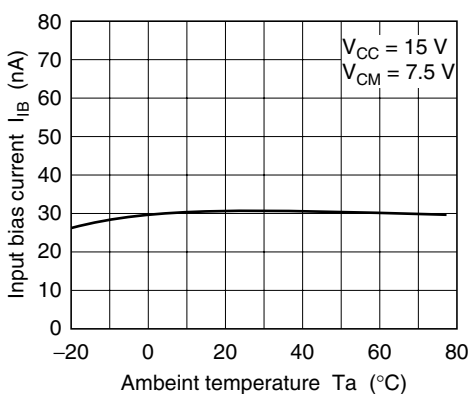
Item	Symbol	Min	Typ	Max	Unit	Test Conditions
Input offset voltage	V_{IO}	—	2	7	mV	$V_{CM} = 7.5\text{ V}$, $R_S = 50\ \Omega$, $R_f = 50\ \text{k}\Omega$
Input offset current	I_{IO}	—	5	50	nA	$V_{CM} = 7.5\text{ V}$, $I_{IO} = I_{I(-)} - I_{I(+)} $
Input bias current	I_{IB}	—	30	500	nA	$V_{CM} = 7.5\text{ V}$
Power source rejection ratio	PSRR	—	93	—	dB	$f = 100\text{ Hz}$, $R_S = 1\ \text{k}\Omega$, $R_j = 100\ \text{k}\Omega$
Voltage gain	A_{VD}	75	90	—	dB	$R_S = 1\ \text{k}\Omega$, $R_f = 100\ \text{k}\Omega$, $R_L = \infty$
Common mode rejection ratio	CMR	—	80	—	dB	$R_S = 50\ \Omega$, $R_f = 5\ \text{k}\Omega$
Common mode input voltage range	V_{CM}	-0.3	—	13.5	V	$R_S = 1\ \text{k}\Omega$, $R_f = 100\ \text{k}\Omega$, $f = 100\text{ Hz}$
Maximum output voltage	V_{op-p}	—	13.6	—	V	$f = 100\text{ Hz}$, $R_S = 1\ \text{k}\Omega$, $R_f = 100\ \text{k}\Omega$, $R_L = 20\ \text{k}\Omega$
Output source current	$I_{osource}$	20	40	—	mA	$V_{IN}^+ = 1\text{ V}$, $V_{IN}^- = 0\text{ V}$, $V_{OH} = 10\text{ V}$
Output sink current	I_{osink}	10	20	—	mA	$V_{IN} = 0\text{ V}$, $V_{IN} = 1\text{ V}$, $V_{OL} = 2.5\text{ V}$
Supply current	I_{CC}	—	0.8	2	mA	$V_{IN} = \text{GND}$, $R_L = \infty$
Slew rate	SR	—	0.19	—	V/ μs	$f = 1.5\ \text{kHz}$, $V_{CM} = 7.5\text{ V}$, $R_L = \infty$
Channel separation	CS	—	120	—	dB	$f = 1\ \text{kHz}$
Output sink current	I_{osink}	15	50	—	μA	$V_{IN}^+ = 0\text{ V}$, $V_{IN}^- = 1\text{ V}$, $V_{OL} = 200\text{ mV}$
	I_{osink}	3	9	—	mA	$V_{IN}^+ = 0\text{ V}$, $V_{IN}^- = 1\text{ V}$, $V_{OL} = 1\text{ V}$
Output voltage	V_{OH}	13.2	13.6	—	V	$I_{OH} = -1\text{ mA}$
	V_{OH}	12.0	13.3	—	V	$I_{OH} = -10\text{ mA}$
Output voltage	V_{OL}	—	0.8	1.0	V	$I_{OL} = 1\text{ mA}$
	V_{OL}	—	1.1	1.8	V	$I_{OL} = 10\text{ mA}$

Characteristic Curves

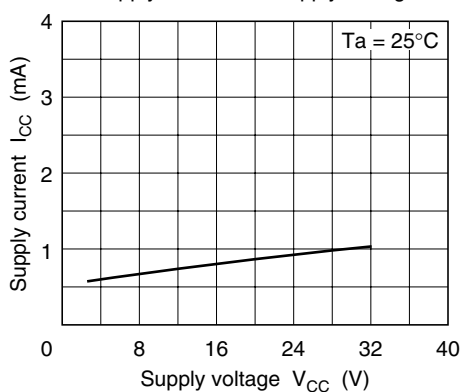
Output Source Current vs. Ambient Temperature



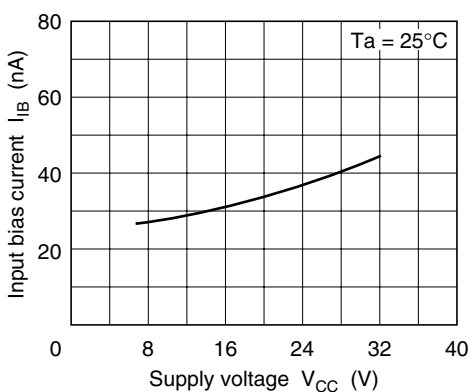
Input Bias Current vs. Ambient Temperature



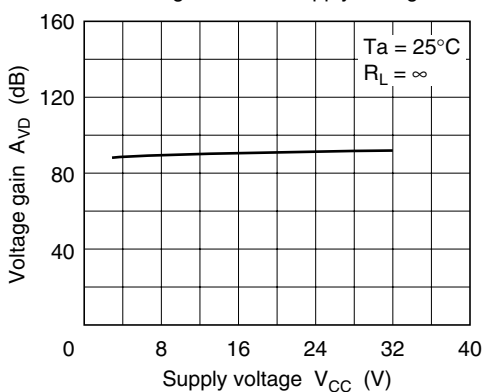
Supply Current vs. Supply Voltage



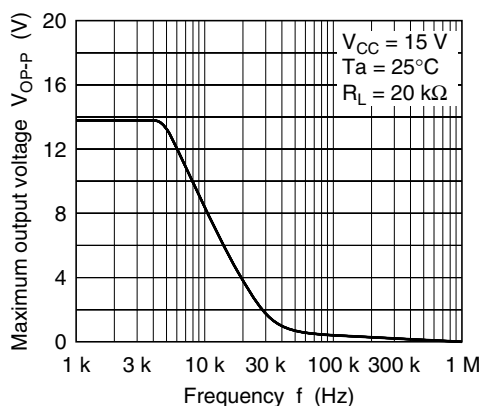
Input Bias Current vs. Supply Voltage

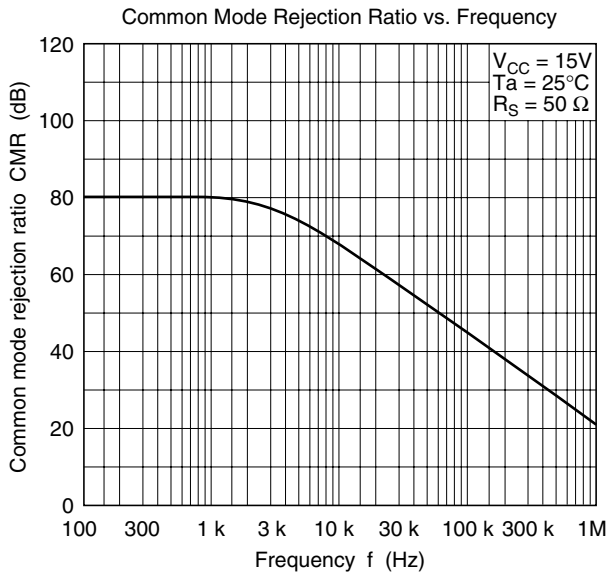
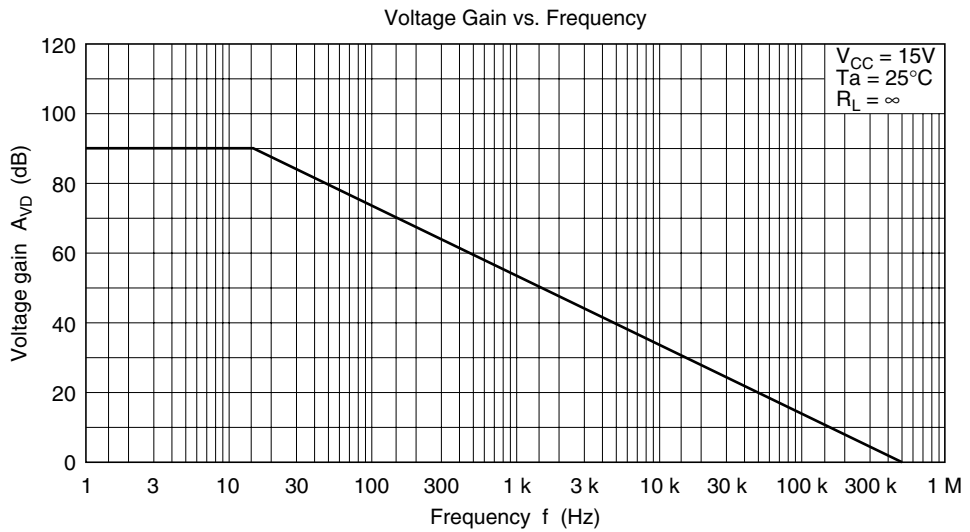


Voltage Gain vs. Supply Voltage



Maximum Output Voltage vs. Frequency





Solder Mounting Method

1. Small and light surface-mount packages require special attentions on solder mounting.
On solder mounting, pre-heating before soldering is needed.
The following figure show an example of infrared rays reflow.
2. The difference of thermal expansion coefficient between mounted substrates and IC leads may cause a failure like solder peeling or solder wet, and electrical characteristics may change by thermal stress.
Therefore, mounting should be done after sufficient confirmation for especially in case of ceramic substrates.

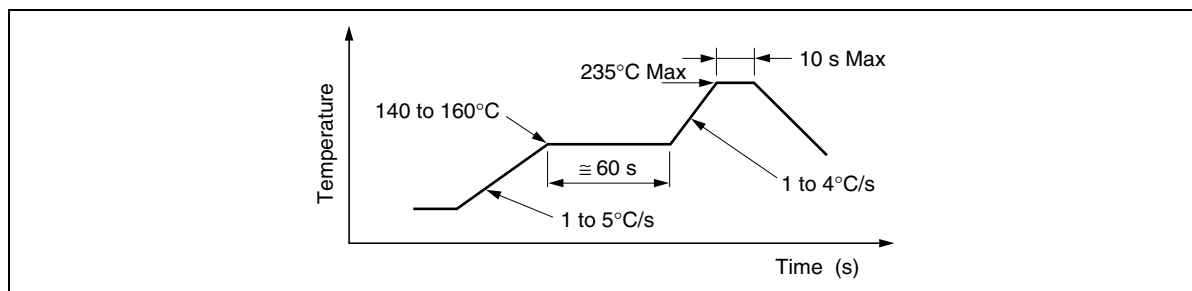
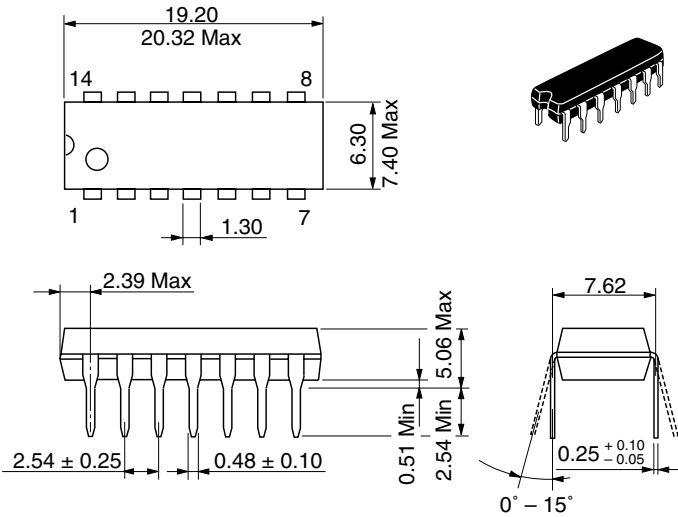


Figure 1 An Example of Infrared Rays Reflow Conditions

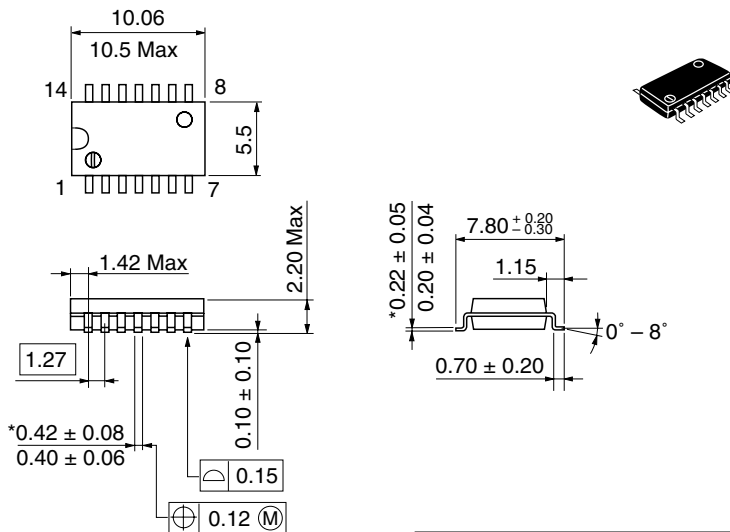
Package Dimensions

Unit: mm



Hitachi Code	DP-14
JEDEC	Conforms
EIAJ	Conforms
Mass (reference value)	0.97 g

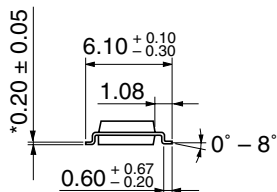
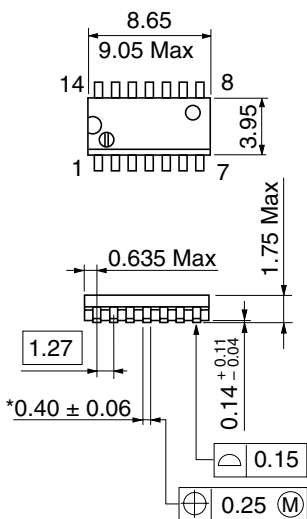
Unit: mm



*Dimension including the plating thickness
Base material dimension

Hitachi Code	FP-14DA
JEDEC	—
EIAJ	Conforms
Mass (reference value)	0.23 g

Unit: mm



Hitachi Code	FP-14DN
JEDEC	Conforms
EIAJ	Conforms
Mass (reference value)	0.13 g

*Pd plating

Disclaimer

1. Hitachi neither warrants nor grants licenses of any rights of Hitachi's or any third party's patent, copyright, trademark, or other intellectual property rights for information contained in this document. Hitachi bears no responsibility for problems that may arise with third party's rights, including intellectual property rights, in connection with use of the information contained in this document.
2. Products and product specifications may be subject to change without notice. Confirm that you have received the latest product standards or specifications before final design, purchase or use.
3. Hitachi makes every attempt to ensure that its products are of high quality and reliability. However, contact Hitachi's sales office before using the product in an application that demands especially high quality and reliability or where its failure or malfunction may directly threaten human life or cause risk of bodily injury, such as aerospace, aeronautics, nuclear power, combustion control, transportation, traffic, safety equipment or medical equipment for life support.
4. Design your application so that the product is used within the ranges guaranteed by Hitachi particularly for maximum rating, operating supply voltage range, heat radiation characteristics, installation conditions and other characteristics. Hitachi bears no responsibility for failure or damage when used beyond the guaranteed ranges. Even within the guaranteed ranges, consider normally foreseeable failure rates or failure modes in semiconductor devices and employ systemic measures such as fail-safes, so that the equipment incorporating Hitachi product does not cause bodily injury, fire or other consequential damage due to operation of the Hitachi product.
5. This product is not designed to be radiation resistant.
6. No one is permitted to reproduce or duplicate, in any form, the whole or part of this document without written approval from Hitachi.
7. Contact Hitachi's sales office for any questions regarding this document or Hitachi semiconductor products.

Sales Offices

HITACHI

Hitachi, Ltd.

Semiconductor & Integrated Circuits

Nippon Bldg., 2-6-2, Ohte-machi, Chiyoda-ku, Tokyo 100-0004, Japan

Tel: (03) 3270-2111 Fax: (03) 3270-5109

URL NorthAmerica : <http://semiconductor.hitachi.com/>
 Europe : <http://www.hitachi-eu.com/hel/ecg>
 Asia : <http://sicapac.hitachi-asia.com>
 Japan : <http://www.hitachi.co.jp/Sicd/indx.htm>

For further information write to:

Hitachi Semiconductor
(America) Inc.
179 East Tasman Drive
San Jose, CA 95134
Tel: <1> (408) 433-1990
Fax: <1> (408) 433-0223

Hitachi Europe Ltd.
Electronic Components Group
Whitebrook Park
Lower Cookham Road
Maidenhead
Berkshire SL6 8YA, United Kingdom
Tel: <44> (1628) 585000
Fax: <44> (1628) 585200

Hitachi Europe GmbH
Electronic Components Group
Dornacher Straße 3
D-85622 Feldkirchen, Munich
Germany
Tel: <49> (89) 9 9180-0
Fax: <49> (89) 9 29 30 00

Hitachi Asia Ltd.
Hitachi Tower
16 Collyer Quay #20-00
Singapore 049318
Tel: <65>-538-6533/538-8577
Fax : <65>-538-6933/538-3877
URL : <http://www.hitachi.com.sg>

Hitachi Asia Ltd.
(Taipei Branch Office)
4/F, No. 167, Tun Hwa North Road
Hung-Kuo Building
Taipei (105), Taiwan
Tel : <886>-(2)-2718-3666
Fax : <886>-(2)-2718-8180
Telex : 23222 HAS-TP
URL : <http://www.hitachi.com.tw>

Hitachi Asia (Hong Kong) Ltd.
Group III (Electronic Components)
7/F., North Tower
World Finance Centre,
Harbour City, Canton Road
Tsim Sha Tsui, Kowloon
Hong Kong
Tel : <852>-(2)-735-9218
Fax : <852>-(2)-730-0281
URL : <http://semiconductor.hitachi.com.hk>

Copyright © Hitachi, Ltd., 2001. All rights reserved. Printed in Japan.
Colophon 4.0