

# HD74LV4051A

## 8-channel Analog Multiplexer / Demultiplexer

REJ03D0338-0300Z  
 (Previous ADE-205-283A (Z))  
 Rev.3.00  
 Jul. 20, 2004

### Description

The HD74LV4051A handles both analog and digital signals, and enables signals of either type with amplitudes of up to 5.5 V (peak) to be transmitted in either direction (at  $V_{CC} = 0\text{ V}$  to 5.5 V).

Applications include signal gating, chopping, modulation or demodulation (modem), and signal multiplexing for analog-to-digital and digital-to-analog conversion systems.

### Features

- $V_{CC} = 2.0\text{ V}$  to 5.5 V operation
- All control inputs  $V_{IH}$  (Max.) = 5.5 V (@  $V_{CC} = 0\text{ V}$  to 5.5 V)
- Ordering Information

Part Name	Package Type	Package Code	Package Abbreviation	Taping Abbreviation (Quantity)
HD74LV4051AFPEL	SOP-16 pin (JEITA)	FP-16DAV	FP	EL (2,000 pcs/reel)
HD74LV4051ARPEL	SOP-16 pin (JEDEC)	FP-16DNV	RP	EL (2,500 pcs/reel)
HD74LV4051ATELL	TSSOP-16 pin	TTP-16DAV	T	ELL (2,000 pcs/reel)

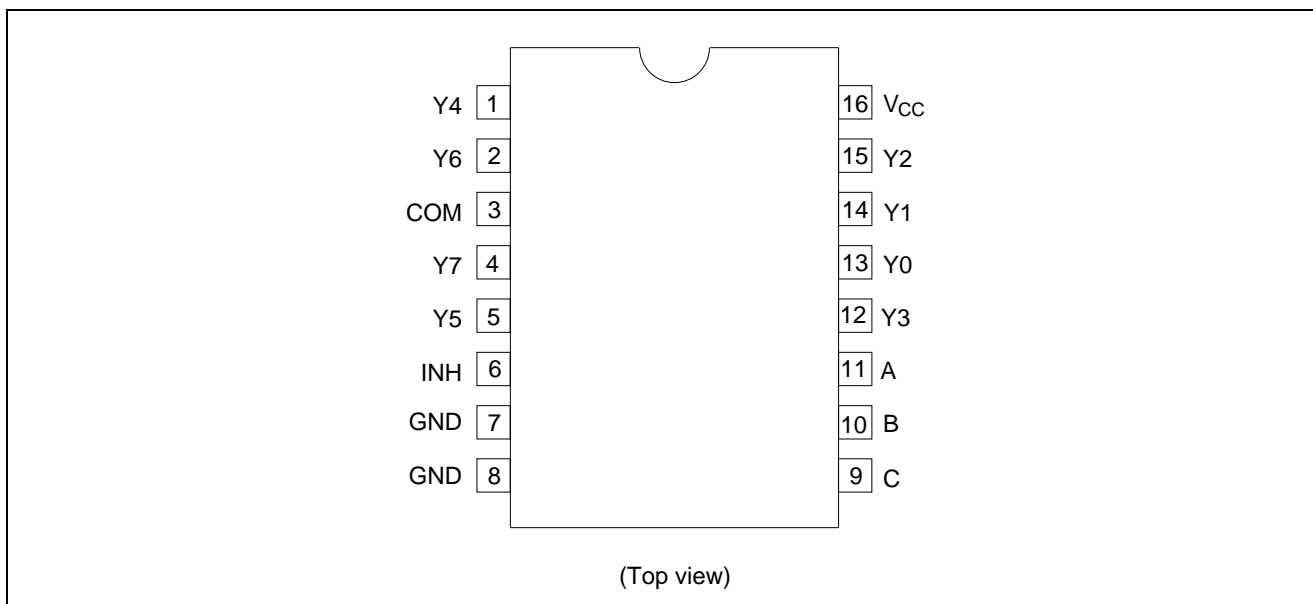
Note: Please consult the sales office for the above package availability.

### Function Table

Inputs				
INH	C	B	A	On Channel
L	L	L	L	Y0
L	L	L	H	Y1
L	L	H	L	Y2
L	L	H	H	Y3
L	H	L	L	Y4
L	H	L	H	Y5
L	H	H	L	Y6
L	H	H	H	Y7
H	X	X	X	NONE

Note: H: High level  
 L: Low level  
 X: Immaterial

**Pin Arrangement**



**Absolute Maximum Ratings**

Item	Symbol	Ratings	Unit	Conditions
Supply voltage range	$V_{CC}$	-0.5 to 7.0	V	
Input voltage range* <sup>1</sup>	$V_I$	-0.5 to 7.0	V	
Output voltage range* <sup>1,2</sup>	$V_O$	-0.5 to $V_{CC} + 0.5$	V	Output: H or L
Input clamp current	$I_{IK}$	-20	mA	$V_I < 0$
Output clamp current	$I_{OK}$	$\pm 50$	mA	$V_O < 0$ or $V_O > V_{CC}$
Continuous output current	$I_O$	$\pm 25$	mA	$V_O = 0$ to $V_{CC}$
Continuous current through $V_{CC}$ or GND	$I_{CC}$ or $I_{GND}$	$\pm 50$	mA	
Maximum power dissipation at $T_a = 25^\circ\text{C}$ (in still air)* <sup>3</sup>	$P_T$	785 500	mW	SOP TSSOP
Storage temperature	$T_{stg}$	-65 to 150	$^\circ\text{C}$	

Notes: The absolute maximum ratings are values, which must not individually be exceeded, and furthermore, no two of which may be realized at the same time.

1. The input and output voltage ratings may be exceeded even if the input and output clamp-current ratings are observed.
2. This value is limited to 5.5 V maximum.
3. The maximum package power dissipation was calculated using a junction temperature of 150°C.

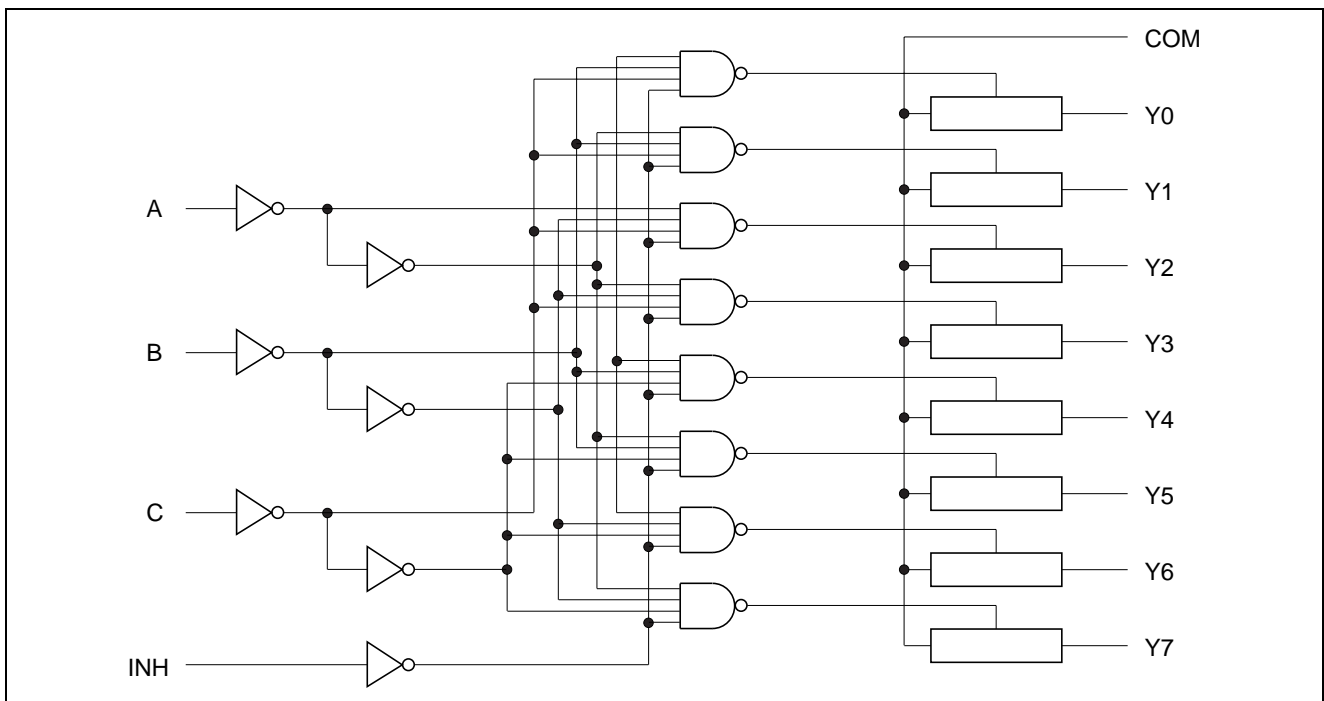
**Recommended Operating Conditions**

Item	Symbol	Min	Max	Unit	Conditions
Supply voltage range	$V_{CC}$	2.0 <sup>*1</sup>	5.5	V	
Input voltage range	$V_I$	0	5.5	V	
Output voltage range	$V_{IO}$	0	$V_{CC}$	V	
Input transition rise or fall rate	$\Delta t / \Delta v$	0	200	ns/V	$V_{CC} = 2.3 \text{ to } 2.7 \text{ V}$
		0	100		$V_{CC} = 3.0 \text{ to } 3.6 \text{ V}$
		0	20		$V_{CC} = 4.5 \text{ to } 5.5 \text{ V}$
Operating free-air temperature	$T_a$	-40	85	°C	

Notes: Unused or floating control inputs must be held high or low.

1. With the supply voltage at or around 2 V, the analog switch on-state loses linearity significantly. It is recommended that only digital signals be transmitted at these low supply voltages.

**Logic Diagram**



DC Electrical Characteristics

Item	Symbol	V <sub>CC</sub> (V)	Ta = 25°C			Ta = -40 to 85°C		Unit	Test Conditions
			Min	Typ	Max	Min	Max		
Input voltage	V <sub>IH</sub>	2.0	—	—	—	1.5	—	V	Control input only
		2.3 to 2.7	—	—	—	V <sub>CC</sub> × 0.7	—		
		3.0 to 3.6	—	—	—	V <sub>CC</sub> × 0.7	—		
		4.5 to 5.5	—	—	—	V <sub>CC</sub> × 0.7	—		
	V <sub>IL</sub>	2.0	—	—	—	—	0.5		
		2.3 to 2.7	—	—	—	—	V <sub>CC</sub> × 0.3		
		3.0 to 3.6	—	—	—	—	V <sub>CC</sub> × 0.3		
		4.5 to 5.5	—	—	—	—	V <sub>CC</sub> × 0.3		
On-state switch resistance	R <sub>ON</sub>	2.3	—	60	180	—	225	Ω	V <sub>IN</sub> = V <sub>CC</sub> or GND V <sub>INH</sub> = V <sub>IL</sub> I <sub>T</sub> = 2 mA
		3.0	—	50	150	—	190		
		4.5	—	40	75	—	100		
Peak on resistance	R <sub>ON (P)</sub>	2.3	—	200	500	—	600	Ω	V <sub>IN</sub> = V <sub>CC</sub> to GND V <sub>INH</sub> = V <sub>IL</sub> I <sub>T</sub> = 2 mA
		3.0	—	90	180	—	225		
		4.5	—	50	100	—	125		
Difference of on-state resistance between switches	ΔR <sub>ON</sub>	2.3	—	20	30	—	40	Ω	V <sub>IN</sub> = V <sub>CC</sub> to GND V <sub>INH</sub> = V <sub>IL</sub> I <sub>T</sub> = 2 mA
		3.0	—	10	20	—	30		
		4.5	—	7	15	—	20		
Off-state switch leakage current	I <sub>s (OFF)</sub>	5.5	—	—	±0.1	—	±1.0	μA	V <sub>IN</sub> = V <sub>CC</sub> , V <sub>OUT</sub> = GND or V <sub>IN</sub> = GND, V <sub>O</sub> = V <sub>CC</sub> , V <sub>INH</sub> = V <sub>IH</sub>
On-state switch leakage current	I <sub>s (ON)</sub>	5.5	—	—	±0.1	—	±1.0	μA	V <sub>IN</sub> = V <sub>CC</sub> or GND V <sub>INH</sub> = V <sub>IL</sub>
Input current	I <sub>IN</sub>	0 to 5.5	—	—	±0.1	—	±1.0	μA	V <sub>IN</sub> = 5.5 V or GND
Quiescent supply current	I <sub>CC</sub>	5.5	—	—	—	—	20	μA	V <sub>IN</sub> = V <sub>CC</sub> or GND

Note: For conditions shown as Min or Max, use the appropriate values under recommended operating conditions.

Switching Characteristics

V<sub>CC</sub> = 2.5 ± 0.2 V

Item	Symbol	Ta = 25°C			Ta = -40 to 85°C		Unit	Test Conditions	FROM (Input)	TO (Output)
		Min	Typ	Max	Min	Max				
Propagation delay time	t <sub>PLH</sub>	—	3.5	10.0	—	16.0	ns	C <sub>L</sub> = 15 pF	COM or Yn	Yn or COM
	t <sub>PHL</sub>	—	6.0	12.0	—	18.0		C <sub>L</sub> = 50 pF		
Enable time	t <sub>ZH</sub>	—	8.0	18.0	—	23.0	ns	R <sub>L</sub> = 1 kΩ C <sub>L</sub> = 15 pF	INH	COM or Yn
	t <sub>ZL</sub>	—	9.0	28.0	—	35.0				
Disable time	t <sub>HZ</sub>	—	12.0	18.0	—	23.0	ns	R <sub>L</sub> = 1 kΩ C <sub>L</sub> = 15 pF	INH	COM or Yn
	t <sub>LZ</sub>	—	14.0	28.0	—	35.0				

V<sub>CC</sub> = 3.3 ± 0.3 V

Item	Symbol	Ta = 25°C			Ta = -40 to 85°C		Unit	Test Conditions	FROM (Input)	TO (Output)
		Min	Typ	Max	Min	Max				
Propagation delay time	t <sub>PLH</sub>	—	2.5	6.0	—	10.0	ns	C <sub>L</sub> = 15 pF	COM or Yn	Yn or COM
	t <sub>PHL</sub>	—	4.5	9.0	—	12.0		C <sub>L</sub> = 50 pF		
Enable time	t <sub>ZH</sub>	—	6.0	12.0	—	15.0	ns	R <sub>L</sub> = 1 kΩ C <sub>L</sub> = 15 pF	INH	COM or Yn
	t <sub>ZL</sub>	—	7.0	20.0	—	25.0				
Disable time	t <sub>HZ</sub>	—	8.0	12.0	—	15.0	ns	R <sub>L</sub> = 1 kΩ C <sub>L</sub> = 15 pF	INH	COM or Yn
	t <sub>LZ</sub>	—	11.0	20.0	—	25.0				

V<sub>CC</sub> = 5.0 ± 0.5 V

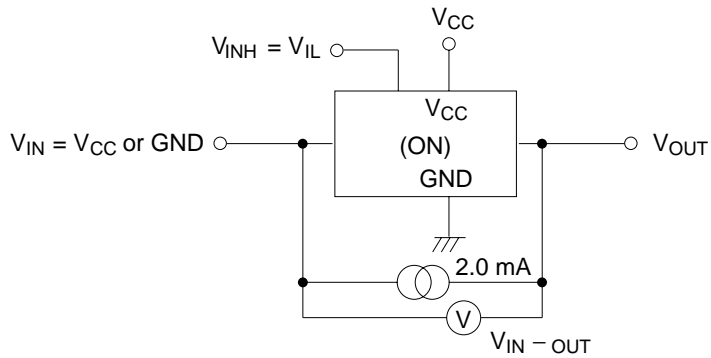
Item	Symbol	Ta = 25°C			Ta = -40 to 85°C		Unit	Test Conditions	FROM (Input)	TO (Output)
		Min	Typ	Max	Min	Max				
Propagation delay time	t <sub>PLH</sub>	—	2.0	4.0	—	7.0	ns	C <sub>L</sub> = 15 pF	COM or Yn	Yn or COM
	t <sub>PHL</sub>	—	3.0	6.0	—	8.0		C <sub>L</sub> = 50 pF		
Enable time	t <sub>ZH</sub>	—	4.0	8.0	—	10.0	ns	R <sub>L</sub> = 1 kΩ C <sub>L</sub> = 15 pF	INH	COM or Yn
	t <sub>ZL</sub>	—	5.5	14.0	—	18.0				
Disable time	t <sub>HZ</sub>	—	5.0	8.0	—	10.0	ns	R <sub>L</sub> = 1 kΩ C <sub>L</sub> = 15 pF	INH	COM or Yn
	t <sub>LZ</sub>	—	8.5	14.0	—	18.0				

Switching Characteristics (Cont.)

Item	Symbol	V <sub>CC</sub> (V)	Ta = 25°C			Unit	Test Conditions	FROM (Input)	TO (Output)
			Min	Typ	Max				
Control input capacitance	C <sub>IC</sub>	—	—	4.0	—	pF			
Common terminal capacitance	C <sub>IS</sub>	—	—	35.5	—	pF			
Switch terminal capacitance	C <sub>I/O</sub>	—	—	7.0	—	pF			
Feedthrough capacitance	C <sub>T</sub>	—	—	0.5	—	pF			
Power dissipation capacitance	C <sub>PD</sub>	—	—	11.0	—	pF			
Frequency response (Switch ON)		2.3	—	20.0	—	MHz	C <sub>L</sub> = 50 pF, R <sub>L</sub> = 600Ω Adjust f <sub>in</sub> voltage to obtain 0 dBm at output when f <sub>in</sub> is 1 MHz (sine wave). Increase f <sub>in</sub> frequency until the dB-meter reads -3 dBm. 20 log (V <sub>O</sub> /V <sub>I</sub> ) = -3 dBm	COM or Yn	Yn or COM
		3.0	—	25.0	—				
		4.5	—	35.0	—				
Crosstalk (Control input to signal output)		2.3	—	20.0	—	mV	C <sub>L</sub> = 50 pF, R <sub>L</sub> = 600Ω Adjust the R <sub>L</sub> value to obtain 0 A at I <sub>IN/OUT</sub> when f <sub>in</sub> is 1 MHz (square wave).	INH	COM or Yn
		3.0	—	35.0	—				
		4.5	—	60.0	—				
Feedthrough attenuation (Switch OFF)		2.3	—	-45	—	dB	C <sub>L</sub> = 50 pF, R <sub>L</sub> = 600Ω Adjust f <sub>in</sub> voltage to obtain 0 dBm at input when f <sub>in</sub> is 1 MHz (sine wave).	COM or Yn	Yn or COM
		3.0	—	-45	—				
		4.5	—	-45	—				
Sine-wave distortion		2.3	—	0.1	—	%	C <sub>L</sub> = 50 pF, R <sub>L</sub> = 10 kΩ f <sub>IN</sub> = 1 kHz (sine wave) V <sub>I</sub> = 2 V <sub>P-P</sub> , V <sub>CC</sub> = 2.3 V V <sub>I</sub> = 2.5 V <sub>P-P</sub> , V <sub>CC</sub> = 3.0 V V <sub>I</sub> = 4 V <sub>P-P</sub> , V <sub>CC</sub> = 4.5 V	COM or YN	Yn or COM
		3.0	—	0.1	—				
		4.5	—	0.1	—				

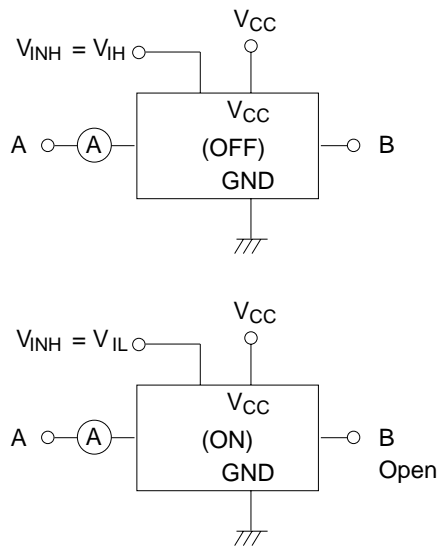
Test Circuits

RON: On-state switch resistance

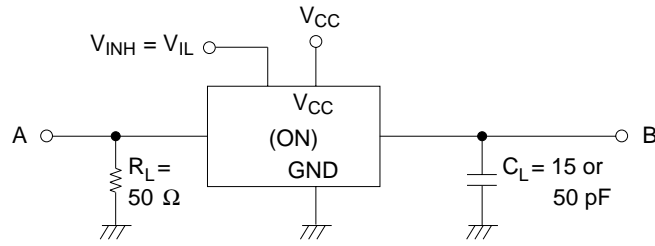


$$R_{ON} = \frac{V_{IN} - OUT}{2 \times 10^{-3}} (\Omega)$$

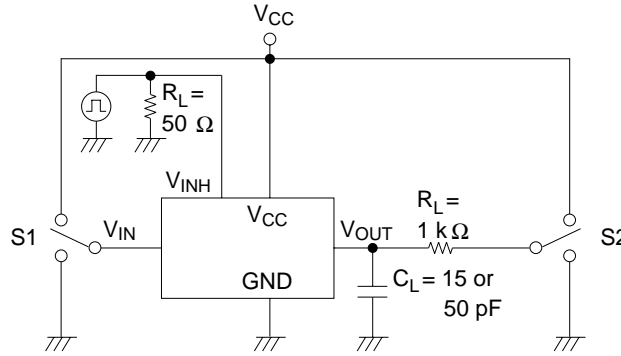
Is (OFF): Off-state switch leakage current, Is (ON): On-state switch leakage current.



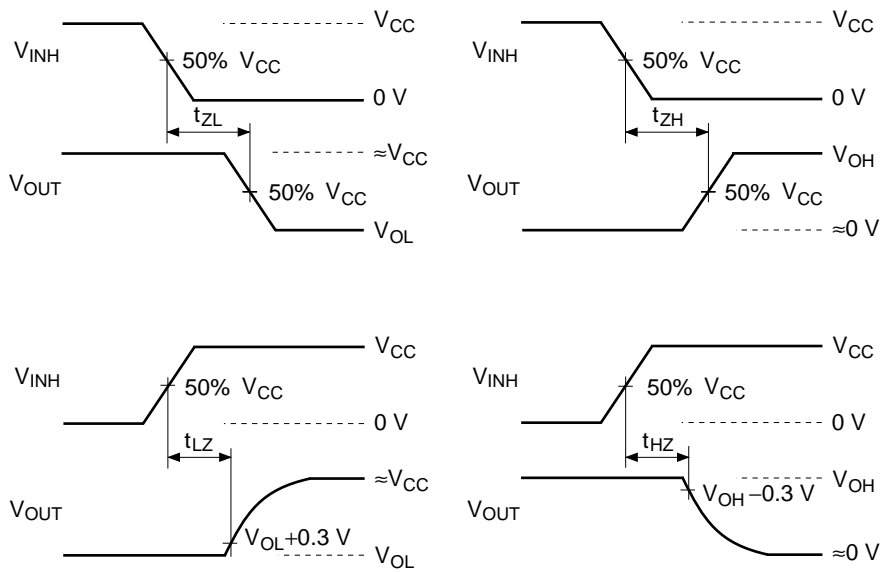
$t_{PLH}$ ,  $t_{PHL}$ : Propagation delay time (from switch input to switch output)



Switching time

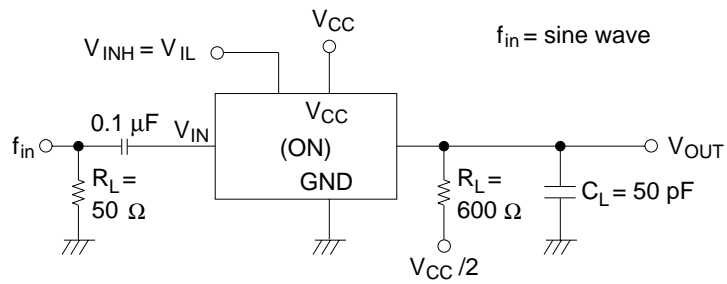


TEST	S1	S2
$t_{LZ}/t_{ZL}$	GND	V <sub>CC</sub>
$t_{HZ}/t_{ZH}$	V <sub>CC</sub>	GND

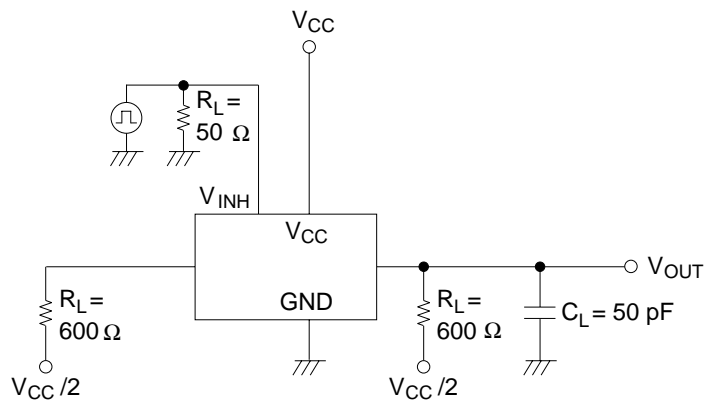




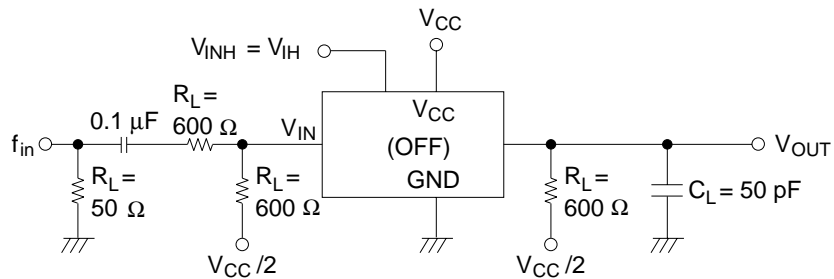
Frequency response (switch ON)



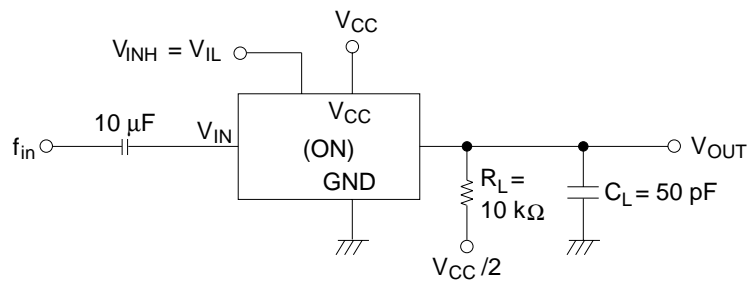
Crosstalk (control input to switch output)



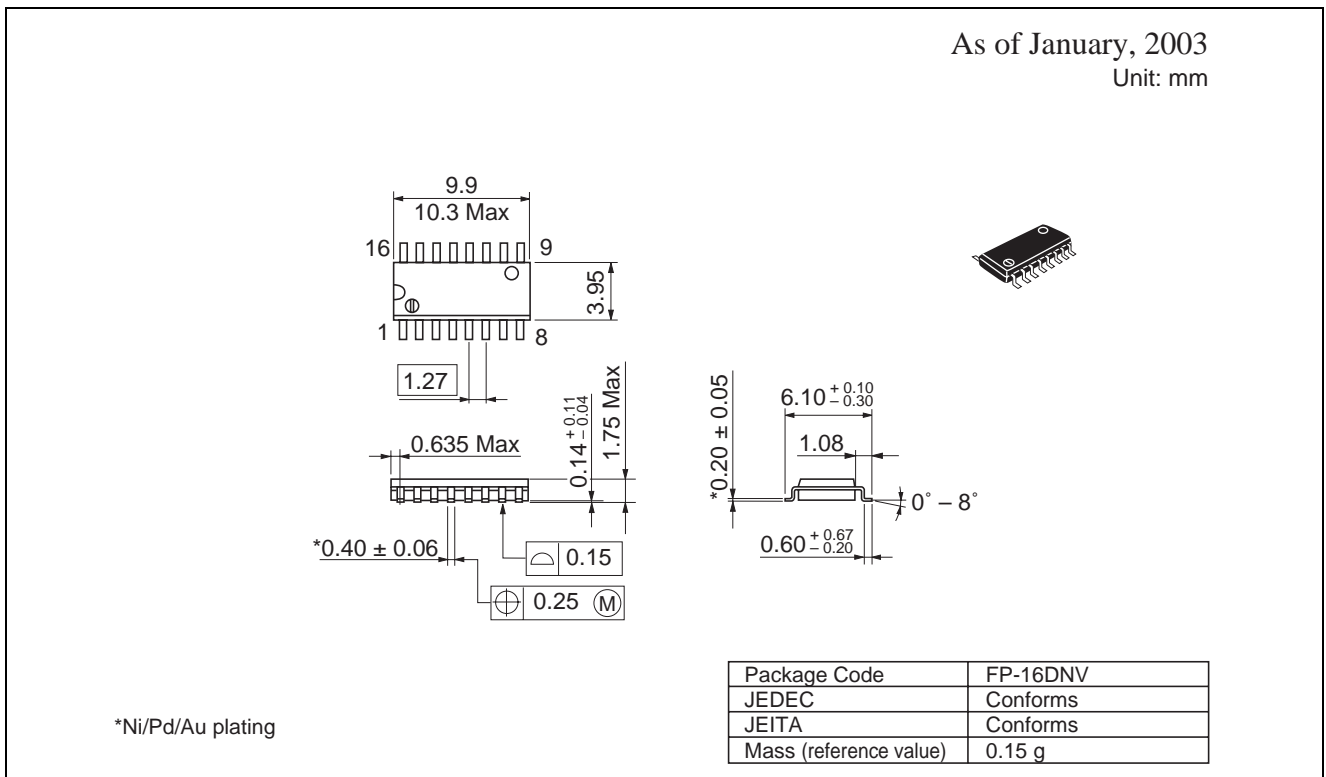
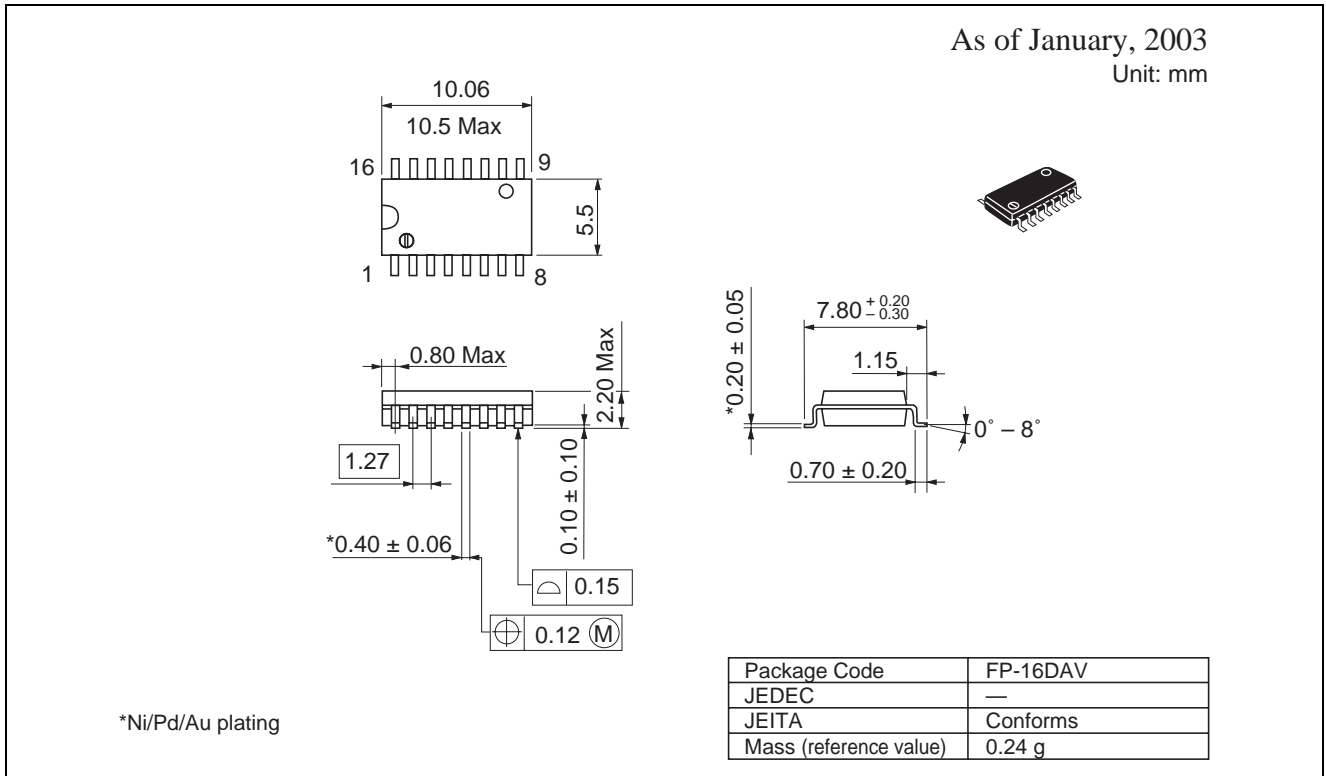
Feedthrough attenuation (switch OFF)



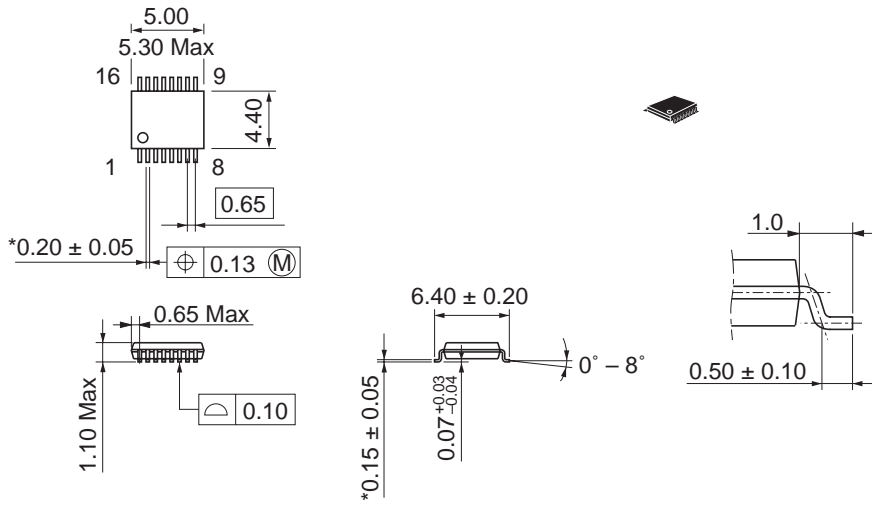
Sine-wave distortion



Package Dimensions



As of January, 2003  
Unit: mm



\*Ni/Pd/Au plating

Package Code	TTP-16DAV
JEDEC	—
JEITA	—
Mass (reference value)	0.05 g

**Renesas Technology Corp.** Sales Strategic Planning Div. Nippon Bldg., 2-6-2, Ohte-machi, Chiyoda-ku, Tokyo 100-0004, Japan

---

Keep safety first in your circuit designs!

1. Renesas Technology Corp. puts the maximum effort into making semiconductor products better and more reliable, but there is always the possibility that trouble may occur with them. Trouble with semiconductors may lead to personal injury, fire or property damage. Remember to give due consideration to safety when making your circuit designs, with appropriate measures such as (i) placement of substitutive, auxiliary circuits, (ii) use of nonflammable material or (iii) prevention against any malfunction or mishap.

Notes regarding these materials

1. These materials are intended as a reference to assist our customers in the selection of the Renesas Technology Corp. product best suited to the customer's application; they do not convey any license under any intellectual property rights, or any other rights, belonging to Renesas Technology Corp. or a third party.
  2. Renesas Technology Corp. assumes no responsibility for any damage, or infringement of any third-party's rights, originating in the use of any product data, diagrams, charts, programs, algorithms, or circuit application examples contained in these materials.
  3. All information contained in these materials, including product data, diagrams, charts, programs and algorithms represents information on products at the time of publication of these materials, and are subject to change by Renesas Technology Corp. without notice due to product improvements or other reasons. It is therefore recommended that customers contact Renesas Technology Corp. or an authorized Renesas Technology Corp. product distributor for the latest product information before purchasing a product listed herein.  
The information described here may contain technical inaccuracies or typographical errors.  
Renesas Technology Corp. assumes no responsibility for any damage, liability, or other loss rising from these inaccuracies or errors.  
Please also pay attention to information published by Renesas Technology Corp. by various means, including the Renesas Technology Corp. Semiconductor home page (<http://www.renesas.com>).
  4. When using any or all of the information contained in these materials, including product data, diagrams, charts, programs, and algorithms, please be sure to evaluate all information as a total system before making a final decision on the applicability of the information and products. Renesas Technology Corp. assumes no responsibility for any damage, liability or other loss resulting from the information contained herein.
  5. Renesas Technology Corp. semiconductors are not designed or manufactured for use in a device or system that is used under circumstances in which human life is potentially at stake. Please contact Renesas Technology Corp. or an authorized Renesas Technology Corp. product distributor when considering the use of a product contained herein for any specific purposes, such as apparatus or systems for transportation, vehicular, medical, aerospace, nuclear, or undersea repeater use.
  6. The prior written approval of Renesas Technology Corp. is necessary to reprint or reproduce in whole or in part these materials.
  7. If these products or technologies are subject to the Japanese export control restrictions, they must be exported under a license from the Japanese government and cannot be imported into a country other than the approved destination.  
Any diversion or reexport contrary to the export control laws and regulations of Japan and/or the country of destination is prohibited.
  8. Please contact Renesas Technology Corp. for further details on these materials or the products contained therein.
- 



**RENESAS SALES OFFICES**

<http://www.renesas.com>

**Renesas Technology America, Inc.**

450 Holger Way, San Jose, CA 95134-1368, U.S.A  
Tel: <1> (408) 382-7500 Fax: <1> (408) 382-7501

**Renesas Technology Europe Limited.**

Dukes Meadow, Millboard Road, Bourne End, Buckinghamshire, SL8 5FH, United Kingdom  
Tel: <44> (1628) 585 100, Fax: <44> (1628) 585 900

**Renesas Technology Europe GmbH**

Dornacher Str. 3, D-85622 Feldkirchen, Germany  
Tel: <49> (89) 380 70 0, Fax: <49> (89) 929 30 11

**Renesas Technology Hong Kong Ltd.**

7/F., North Tower, World Finance Centre, Harbour City, Canton Road, Hong Kong  
Tel: <852> 2265-6688, Fax: <852> 2375-6836

**Renesas Technology Taiwan Co., Ltd.**

FL 10, #99, Fu-Hsing N. Rd., Taipei, Taiwan  
Tel: <886> (2) 2715-2888, Fax: <886> (2) 2713-2999

**Renesas Technology (Shanghai) Co., Ltd.**

26/F., Ruijin Building, No.205 Maoming Road (S), Shanghai 200020, China  
Tel: <86> (21) 6472-1001, Fax: <86> (21) 6415-2952

**Renesas Technology Singapore Pte. Ltd.**

1, Harbour Front Avenue, #06-10, Keppel Bay Tower, Singapore 098632  
Tel: <65> 6213-0200, Fax: <65> 6278-8001