

HM51258 Series

262144-word x 1-bit Static Column CMOS Dynamic RAM

The HM51258 is the 262,144 word by 1 bit static column dynamic random access memory utilizing the Hitachi 2 μ m CMOS process.

This device has static column circuit and it is good for high performance main storage or for page access applications.

While the row circuitry is still dynamic, and it controls the power consumed in the static circuitry. It realizes very low power dissipation.

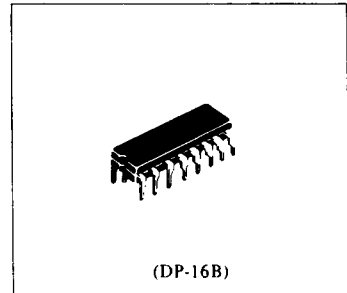
Multiplexed address and the 16 pin pinout are compatible with the fully dynamic 256K DRAM HM50256.

■ FEATURES

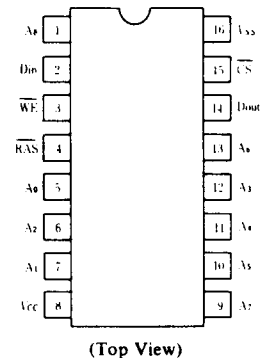
- 262,144 word x 1 bit SCRAM
- Double layer Poly-Si/Polycide Process, high performance CMOS
- Power supply voltage 5V \pm 10%
- Access time
Row access time: 85/100/120/150ns
Address access time: 40/45/55/70ns
- Cycle time
Random Read&Write cycle time: 155/180/210/250ns
Static Column cycle time: 45/50/60/75ns
- Lower power
Standby: 11mW
Active: 385/330/275/220mW
- Input and output: TTL compatible
- Refresh: 256 cycles/4ms
- Refresh function: $\overline{\text{RAS}}$ only refresh, $\overline{\text{CS}}$ before $\overline{\text{RAS}}$ refresh, Hidden refresh
- Static column mode capability
- Edge triggered write capability
- Fast $\overline{\text{CS}}$ output control

■ ORDERING INFORMATION

Type No.	Access Time	Package
HM51258P-8	85ns	300 mil 16 pin Plastic DIP
HM51258P-10	100ns	
HM51258P-12	120ns	
HM51258P-15	150ns	



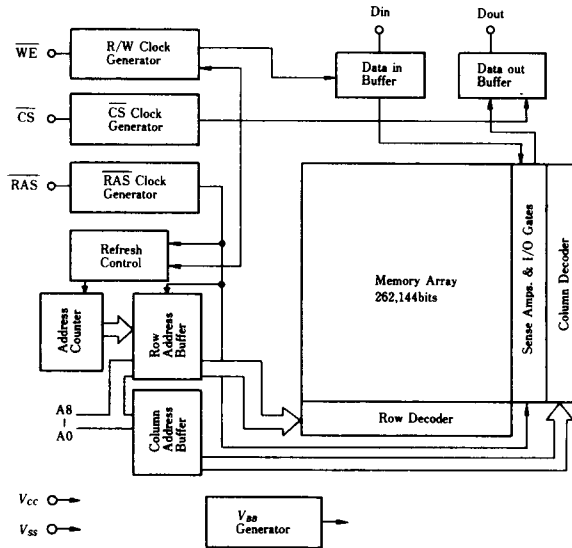
■ PIN ARRANGEMENT



■ PIN DESCRIPTION

Pin Name	Function
A0-A8	Address inputs
$\overline{\text{CS}}$	Chip select
Din	Data in
Dout	Data out
$\overline{\text{RAS}}$	Row address strobe
$\overline{\text{WE}}$	Read/Write input
Vcc	Power (+5V)
Vss	Ground
A0-A7	Refresh address inputs

■ BLOCK DIAGRAM



■ ABSOLUTE MAXIMUM RATINGS

Parameter	Symbol	Rating	Unit
Voltage on any pin relative to V_{SS}	V_T	-1.0 to +7.0	V
Supply Voltage relative to V_{SS}	V_{CC}	-1.0 to +7.0	V
Short circuit output current	I_{out}	50	mA
Power dissipation	P_T	1.0	W
Operating temperature	T_{opr}	0 to +70	°C
Storage temperature	T_{stg}	-55 to +125	°C

■ RECOMMENDED DC OPERATING CONDITIONS ($T_a=0$ to +70°C)

Parameter	Symbol	min	typ	max	Unit
Supply voltage	V_{CC}	4.5	5.0	5.5	V
Input high voltage	V_{IH}	2.4	-	6.5	V
Input low voltage	V_{IL}	-1.0	-	0.8	V

Note) All voltages referenced to V_{SS} .

■ DC ELECTRICAL CHARACTERISTICS ($V_{CC}=5V \pm 10\%$, $V_{SS}=0V$, $T_a=0$ to +70°C)

Parameter	Symbol	Test conditions	HM51258-8		HM51258-10		HM51258-12		HM51258-15		Unit	Note
			min	max	min	max	min	max	min	max		
Operating current	$ICC1$	RAS, CS Cycling, $t_{RC}=\text{min}$.	-	70	-	60	-	50	-	40	mA	1
Standby current	$ICC2$	RAS= V_{IH} , Dout=High Impedance	-	2	-	2	-	2	-	2	mA	
Refresh current	$ICC3$	RAS only Refresh, $t_{RC}=\text{min}$	-	70	-	60	-	50	-	40	mA	
Standby current	$ICC4$	RAS= V_{IH} , Dout Enable	-	6	-	6	-	6	-	6	mA	1
Refresh current	$ICC5$	CS before RAS Refresh, $t_{RC}=\text{min}$	-	60	-	55	-	45	-	35	mA	
Operating current	$ICC6$	Static Column Mode, $t_{RSC}, t_{WSC}=\text{min}$	-	70	-	60	-	50	-	40	mA	1
Input leakage	I_{LI}	$V_{IH}=0$ to 7V	-10	10	-10	10	-10	10	-10	10	μ A	
Output leakage	I_{LO}	$V_{out}=0$ to 7V	-10	10	-10	10	-10	10	-10	10	μ A	
Output high voltage	V_{OH}	$I_{out}=-5\text{mA}$	2.4	V_{CC}	2.4	V_{CC}	2.4	V_{CC}	2.4	V_{CC}	V	
Output low voltage	V_{OL}	$I_{out}=4.2\text{mA}$	0	0.4	0	0.4	0	0.4	0	0.4	V	

Note) 1. ICC depends on output loading condition when the device is selected.
 ICC max is specified at the output open condition.



■ CAPACITANCE ($V_{CC}=5V \pm 10\%$, $T_a=25^\circ C$)

Parameter	Symbol	typ	max	Unit	Note	
Input capacitance	Address, Data-In	C_{I1}	-	5	pF	1
	Clock	C_{I2}	-	7	pF	1
Output capacitance	Data-Out	C_O	-	7	pF	1, 2

Note) 1. Capacitance measured with Boonton Meter or effective capacitance measuring method.
2. $\overline{CS}=V_{IH}$ to disable Dout.

■ ELECTRICAL CHARACTERISTICS AND RECOMMENDED AC OPERATING CONDITIONS ($T_a=0$ to $+70^\circ C$, $V_{CC}=5V \pm 10\%$, $V_{SS}=0V$)

● Read, Write, Read-Modify-Write and Refresh Cycles (Common Parameter)

Parameter	Symbol	HM51258-8		HM51258-10		HM51258-12		HM51258-15		Unit	Notes
		min	max	min	max	min	max	min	max		
Random Read or Write Cycle Time	t_{RC}	155	-	180	-	210	-	250	-	ns	
RAS Precharge Time	t_{RP}	60	-	70	-	80	-	90	-	ns	
RAS Pulse Width	t_{RAS}	55	10000	65	10000	75	10000	95	10000	ns	
\overline{CS} Pulse Width	t_{CS}	25	-	25	-	30	-	35	-	ns	
RAS to \overline{CS} Delay Time	t_{RCD}	20	60	25	75	25	90	30	115	ns	8
RAS to Column Address Delay Time	t_{RAD}	15	45	20	55	20	65	25	80	ns	9
RAS Hold Time	t_{RSH}	20	-	25	-	30	-	35	-	ns	
\overline{CS} Hold Time	t_{CSH}	85	-	100	-	120	-	150	-	ns	
\overline{CS} to RAS Precharge Time	t_{CRP}	10	-	10	-	10	-	10	-	ns	
Row Address Set-Up Time	t_{ASR}	0	-	0	-	0	-	0	-	ns	
Row Address Hold Time	t_{RAH}	10	-	15	-	15	-	20	-	ns	
Transition Time (Rise and Fall)	t_T	3	50	3	50	3	50	3	50	ns	7
Refresh Period	t_{REF}	-	4	-	4	-	4	-	4	ms	

● Read Cycle

Access Time from \overline{RAS}	t_{RAC}	-	85	-	100	-	120	-	150	ns	2, 3
Access Time from \overline{CS}	t_{CAC}	-	25	-	25	-	30	-	35	ns	3, 4
Access Time from Address	t_{AA}	-	40	-	45	-	55	-	70	ns	3,5,14
Column Address Hold Time to RAS on Read	t_{AR}	85	-	100	-	120	-	150	-	ns	
Read Command Set-Up Time	t_{RCS}	0	-	0	-	0	-	0	-	ns	
Read Command Hold Time to \overline{CS}	t_{RCH}	0	-	0	-	0	-	0	-	ns	
Read Command Hold Time to \overline{RAS}	t_{RRH}	10	-	10	-	10	-	10	-	ns	
Column Address to RAS Lead Time	t_{RAL}	40	-	45	-	55	-	70	-	ns	
RAS to Column Address Hold Time	t_{AH}	10	-	15	-	15	-	20	-	ns	16
Output Hold Time from Address	t_{OH}	5	-	5	-	5	-	5	-	ns	
Output Buffer Turn-off Time	t_{OFF}	0	20	0	25	0	30	0	35	ns	6

● Write Cycle

Column Address Set-Up Time	t_{ASC}	0	-	0	-	0	-	0	-	ns	
Column Address Hold Time	t_{CAH}	15	-	20	-	25	-	30	-	ns	
Column Address Hold Time to RAS on Write	t_{AWR}	60	-	75	-	90	-	110	-	ns	
Write Command Set-Up Time	t_{WCS}	0	-	0	-	0	-	0	-	ns	10
Write Command Hold Time	t_{WCH}	20	-	25	-	30	-	35	-	ns	
Write Command Hold Time to RAS	t_{WCR}	65	-	80	-	95	-	115	-	ns	
Write Command Pulse Width	t_{WCP}	15	-	20	-	25	-	30	-	ns	
Write Command to RAS Lead Time	t_{RWL}	20	-	25	-	30	-	35	-	ns	
Write Command to \overline{CS} Lead Time	t_{CWL}	20	-	25	-	30	-	35	-	ns	
Data-in Set-up Time	t_{DS}	0	-	0	-	0	-	0	-	ns	11
Data-in Hold Time	t_{DH}	15	-	20	-	25	-	30	-	ns	10, 11
Data-in Hold Time to RAS	t_{DHR}	60	-	75	-	90	-	110	-	ns	

(to be continued)



● Read-Modify-Write Cycle

Parameter	Symbol	HM51258-8		HM51258-10		HM51258-12		HM51258-15		Unit	Notes
		min	max	min	max	min	max	min	max		
Read-Write Cycle Time	t_{RWC}	180	—	210	—	245	—	290	—	ns	
RAS to \overline{WE} Delay Time	t_{RWD}	85	—	100	—	120	—	150	—	ns	10
\overline{CS} to \overline{WE} Delay Time	t_{CWD}	20	—	25	—	30	—	35	—	ns	10
Column Address to \overline{WE} Delay Time	t_{AWD}	40	—	45	—	55	—	70	—	ns	10
Output Hold Time from \overline{WE}	t_{OHW}	25	—	25	—	25	—	25	—	ns	

● Refresh Cycle

\overline{CS} Set-up Time (\overline{CS} before RAS Refresh)	t_{CSR}	10	—	10	—	10	—	10	—	ns	
\overline{CS} Hold Time (\overline{CS} before RAS Refresh)	t_{CHR}	10	—	10	—	10	—	10	—	ns	
RAS Precharge to \overline{CS} Hold Time	t_{RPC}	15	—	15	—	15	—	15	—	ns	

● SC Mode Cycle

SC Mode Cycle Time on Read	t_{RSC}	45	—	50	—	60	—	75	—	ns	
SC Mode Cycle Time on Write	t_{WSC}	45	—	50	—	60	—	75	—	ns	
RAS to Second \overline{WE} Delay Time	t_{RSW}	90	—	105	—	125	—	155	—	ns	
SC Mode RAS Pulse Width	t_{RASC}	55	75000	65	75000	75	75000	95	75000	ns	
\overline{CS} Precharge Time	t_{CP}	10	—	10	—	15	—	15	—	ns	
Write Invalid Time	t_{WI}	10	—	10	—	15	—	15	—	ns	

● SC Mode Read-Modify-Write and Mixed Cycle

SC Mode Cycle Time on Read-Write	t_{RWSC}	85	—	95	—	115	—	145	—	ns	12
Access Time from Previous \overline{WE}	t_{PWA}	—	80	—	90	—	110	—	140	ns	3, 13
Previous \overline{WE} to Column Address Delay Time	t_{WAD}	20	40	25	45	30	55	35	70	ns	15
Column Address Hold Time to Previous \overline{WE}	t_{PWH}	80	—	90	—	110	—	140	—	ns	

Notes: 1. AC measurements assume $t_T = 5ns$.

2. Assumes that $t_{RCD} \leq t_{RCD}(max)$ and $t_{RAD} \leq t_{RAD}(max)$. If t_{RCD} or t_{RAD} is greater than the maximum recommended value shown in this table, t_{RAC} exceeds the value shown.

3. Measured with a load circuit equivalent to 2TTL loads and 100pF.

4. Assumes that $t_{RCD} \geq t_{RCD}(max)$ and $t_{RAD} \leq t_{RAD}(max)$.

5. Assumes that $t_{RCD} \leq t_{RCD}(max)$ and $t_{RAD} \geq t_{RAD}(max)$.

6. $t_{OFF}(max)$ is defined as the time at which the output achieves the open circuit condition and is not referenced to output voltage levels.

7. $V_{IH}(min)$ and $V_{IL}(max)$ are reference levels for measuring timing of input signals. Also, transition times are measured between V_{IH} and V_{IL} .

8. Operation with the $t_{RCD}(max)$ limit insures that $t_{RAC}(max)$ can be met, $t_{RCD}(max)$ is specified as a reference point only; if t_{RCD} is greater than the specified $t_{RCD}(max)$ limit, then access time is controlled exclusively by t_{CAC} .

9. Operation with the $t_{RAD}(max)$ limit insures that $t_{RAC}(max)$ can be met, $t_{RAD}(max)$ is specified as a reference point only; if t_{RAD} is greater than the specified $t_{RAD}(max)$ limit, then access time is controlled exclusively by t_{AA} .

10. t_{WCS} , t_{RWD} , t_{CWD} and t_{AWD} are not restrictive operating parameters. They are included in the data sheet as electrical characteristics only: if $t_{WCS} \geq t_{WCS}(min)$, the cycle is an early write cycle and the data out pin will remain open circuit (high impedance) throughout the entire cycle; if $t_{RWD} \geq t_{RWD}(min)$, $t_{CWD} \geq t_{CWD}(min)$ and $t_{AWD} \geq t_{AWD}(min)$, the cycle is a read/write and the data output will contain data read from the selected cell; if neither of the above sets of conditions is satisfied, the condition of the data out (at access time) is indeterminate.

11. These parameters are referenced to \overline{CS} leading edge in early write cycles and to \overline{WE} leading edge in delayed write or read-modify-write cycles.

12. $t_{RWSC}(min) = t_{AWD}(min) + t_{WAD}(max) + t_T$

13. Assumes that $t_{WAD} \leq t_{WAD}(max)$. If t_{WAD} is greater than the maximum recommended value shown in this table, t_{PWA} exceeds the value shown.

14. Assumes that $t_{WAD} \geq t_{WAD}(max)$.

15. Operation with the $t_{WAD}(max)$ limit insures that $t_{PWA}(max)$ can be met, $t_{WAD}(max)$ is specified as a reference point only; if t_{WAD} is greater than the specified $t_{WAD}(max)$ limit, then access time is controlled exclusively by t_{AA} .

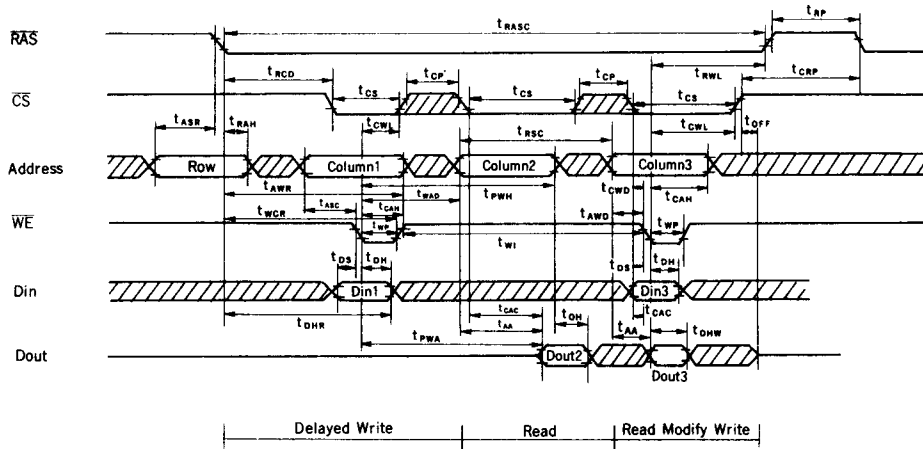
16. t_{AH} is defined as the time at which the column address hold.


17. An initial pause of 100 μs is required after power-up then execute at least 8 initialization cycles.

18. At least, 8 \overline{CS} before \overline{RAS} refresh cycle are required before using internal refresh counter.



• Static Column Mode Mixed Cycle-2



Note)  : Don't care.

