

SYNC separator IC with AFC

BA7046 / BA7046F

The BA7046 and BA7046F separate the synchronization signals from a video signal and output the horizontal and vertical synchronization signals (H_D and V_D), and the composite synchronization signal (Sync-out). The H_D and V_D pulse phase difference is guaranteed.

●Applications

TVs and VCRs

●Features

- 1) Built-in AFC circuit.
- 2) H_D and V_D phase difference guaranteed.
- 3) Low power dissipation. (approx. 21mW)
- 4) Low external parts count.
- 5) 8-pin DIP / SOP package.
- 6) Horizontal free-run frequency does not require adjustment.

●Absolute maximum ratings ($T_a = 25^\circ\text{C}$)

BA7046 (DIP)

Parameter	Symbol	Limits	Unit
Power supply voltage	$V_{CC \text{ Max.}}$	8.0	V
Power dissipation	P_d	500*	mW
Operating temperature	T_{opr}	- 20 ~ + 75	$^\circ\text{C}$
Storage temperature	T_{stg}	- 55 ~ + 125	$^\circ\text{C}$

* Reduced by 5mW for each increase in T_a of 1°C over 25°C .

BA7046F (SOP)

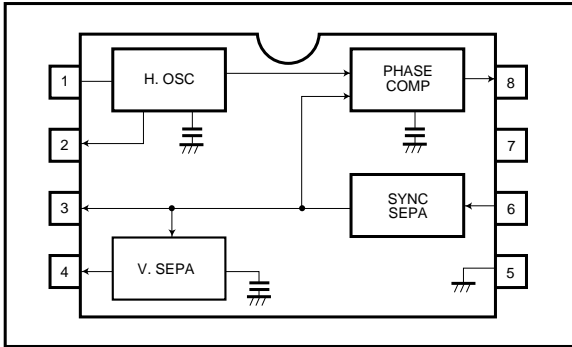
Parameter	Symbol	Limits	Unit
Power supply voltage	$V_{CC \text{ Max.}}$	8.0	V
Power dissipation	P_d	350*	mW
Operating temperature	T_{opr}	- 20 ~ + 75	$^\circ\text{C}$
Storage temperature	T_{stg}	- 55 ~ + 125	$^\circ\text{C}$

* When mounted on a 50mm × 50mm PCB board, reduced by 3.5mW for each increase in T_a of 1°C over 25°C .

●Recommended operating conditions ($T_a = 25^\circ\text{C}$)

Parameter	Symbol	Min.	Typ.	Max.	Unit
Operating power supply voltage	V_{CC}	4.5	—	5.5	V

●Block diagrams



●Pin descriptions

Pin No.	Function
1	Horizontal oscillator resistor
2	H _D output
3	SYNC output (open collector)
4	V _D output
5	GND
6	Video input
7	Power supply
8	Phase comparator output

●Input / output circuits

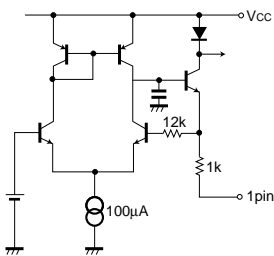


Fig. 1

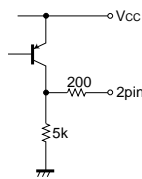


Fig. 2

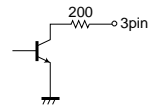


Fig. 3

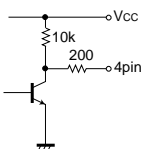


Fig. 4

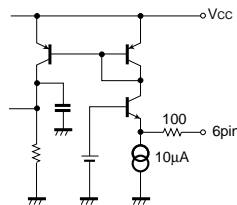


Fig. 5

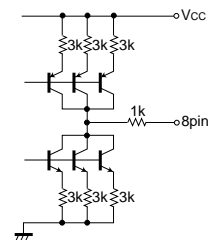


Fig. 6

●Electrical characteristics (unless otherwise noted Ta = 25°C and Vcc = 5.0V)

Parameter	Symbol	Min.	Typ.	Max.	Unit	Conditions
Quiescent current	I _Q	2.0	4.1	6.2	mA	pin 3 open
Minimum synchronization separation level	V _{syn-Min.}	—	0.08	0.15	V _{P-P}	pin 6 terminated with 75Ω resistor
Pulse voltage, LOW	V _{P-L}	—	0.1	0.3	V	pins 2, 4
Pulse voltage, HIGH	V _{P-H}	4.7	4.9	—	V	pins 2, 4
(Horizontal) free-running frequency	f _{H-O}	13.9	15.7	17.5	kHz	No input signal, I ₁ = open
Capture range	Δf _{CAP}	± 2.1	± 2.9	—	kHz	
Lock-in phase difference	T _{H_{PH}}	- 1.0	0	+ 1.0	μs	pin2 ↙ pin- 6 ↘
H _D , V _D phase difference	T _{H_{VD}}	17.0	23.5	30.0	μs	pin4 ↙ pin- 2 ↗
H _D pulse width	T _{HD}	4.6	5.1	5.6	μs	pin2 ↙ ↗
V _D pulse width	T _{VD}	190	230	270	μs	pin4 ↙ ↗

○ Not designed for radiation resistance.

●Measurement circuit

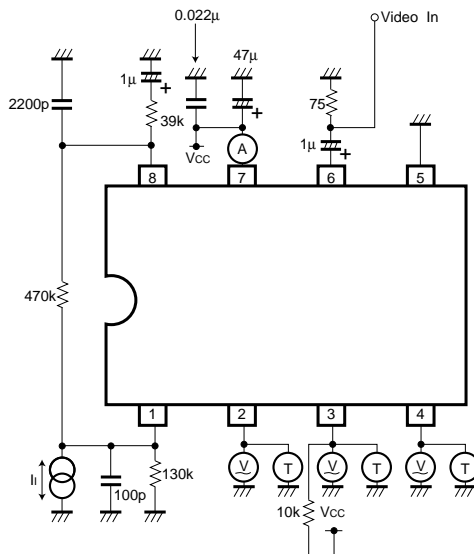


Fig. 7

●Circuit operation

(1) Synchronization separation circuit

Detects the charging current to an externally-connected capacitor, and performs synchronization separation.

(2) Horizontal oscillation circuit

When a video signal is input, it is synchronized with Hsync by the PLL. The horizontal free-running frequency

is determined by external resistor R₁.

$$f_{H-O} = \frac{2.05E6}{R_1} \text{ [kHz]}$$

(3) Vertical synchronization separation circuit

When a video signal is input, synchronization signal separation is done over the vertical synchronization pulse interval.

● V_{IN} , H_D and V_D timing charts

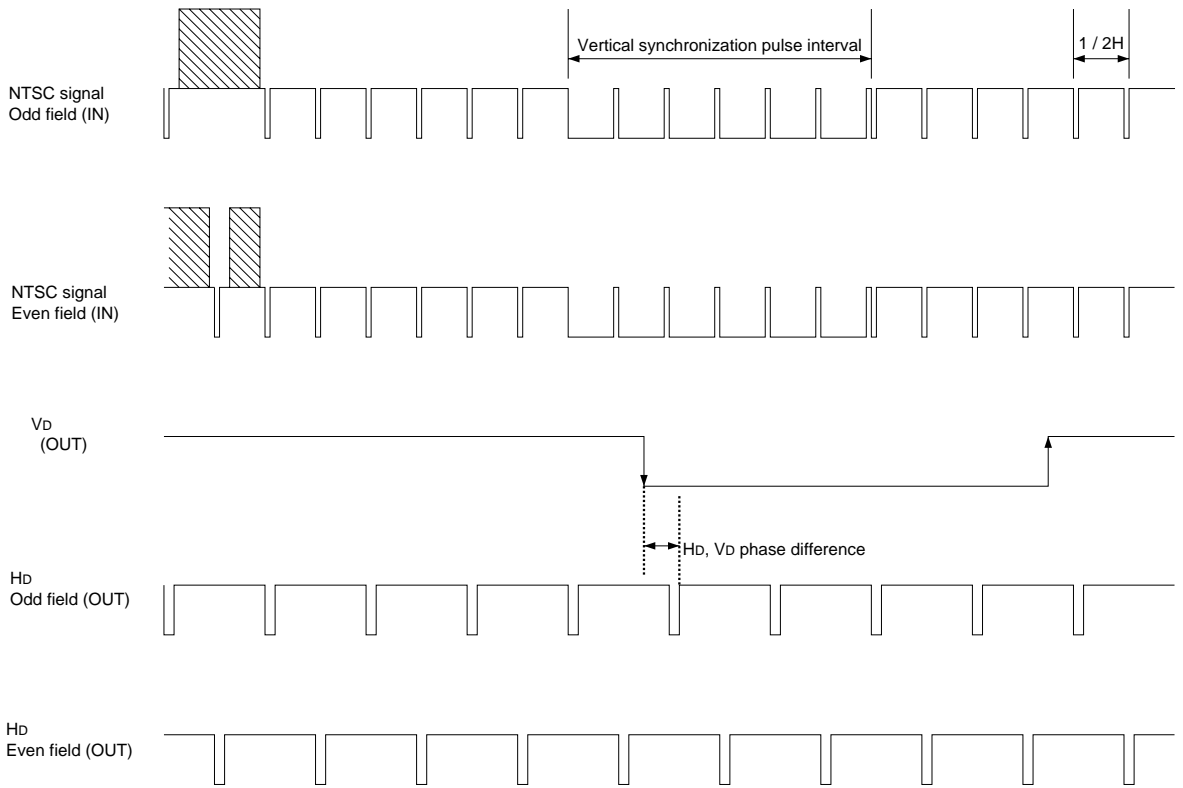
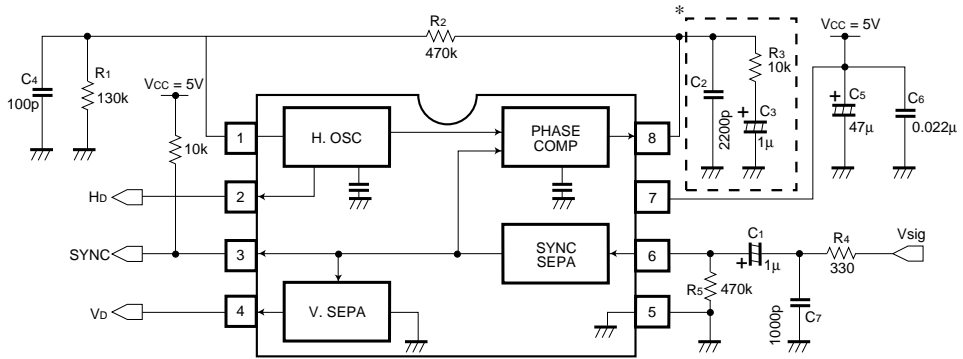


Fig. 8

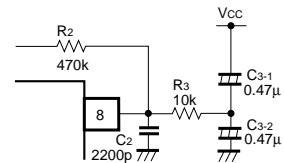
- (1) The rise and fall positions for V_D are basically the same for both odd and even fields.
- (2) H_D shifts by $1/2H$ during the odd and even field interval.
- (3) Only the odd field is given for the specification.

●Application example



* By configuring the circuit enclosed in the dotted line to that in the diagram on the right, you can decrease the lock-in time and increase the capture range.

Fig.9



- When SYNC SEPA output only is used. Hb and Vb unused.

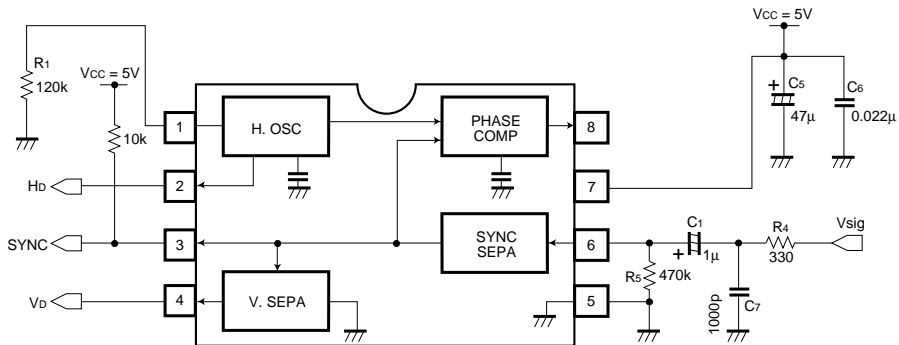


Fig. 10

- (1) Connect pin 1 to GND via a 120kΩ (approx.) resistor. Leave pins 2, 4 and 8 open.
- (2) SYNC output polarity (pin 3) is positive.
- (3) The delay time for rising edge of the SYNC output (pin 3) with respect to the falling edge of Sync for the Vsigt input signal (pin 6) is 850ns (reference value).
- (4) The delay time for falling edge of the SYNC output (pin 3) with respect to the rising edge of Sync for the Vsigt input signal (pin 6) is 450ns (reference value).

●Attached components

Resistor R1 should have a tolerance of ± 2%, and a temperature coefficient of 100ppm or lower.

●Electrical characteristic curves

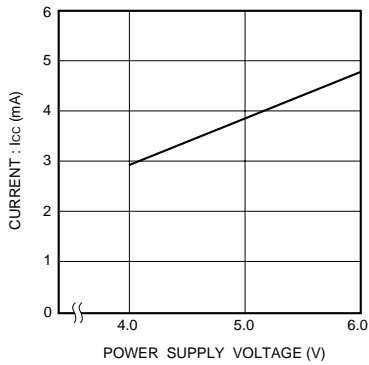


Fig. 11 Quiescent current vs. power supply voltage

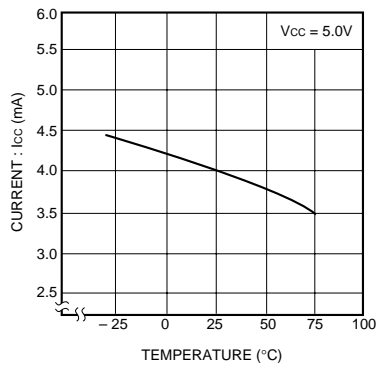


Fig. 12 Quiescent current vs. temperature

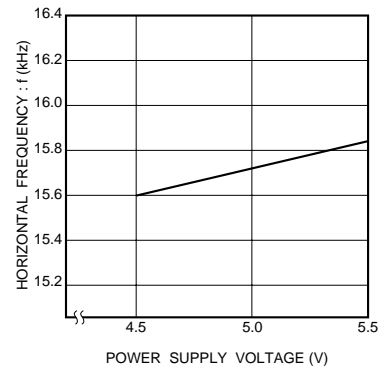


Fig. 13 Horizontal free-running frequency vs. power supply voltage

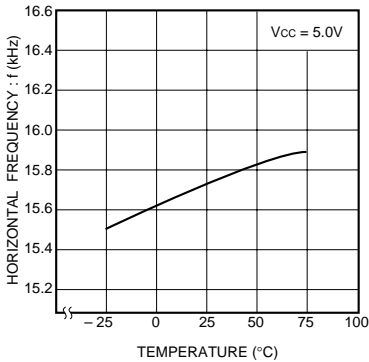


Fig. 14 Horizontal free-running frequency vs. temperature

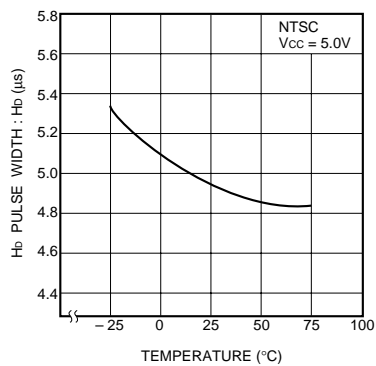


Fig. 15 Hd pulse width vs. temperature

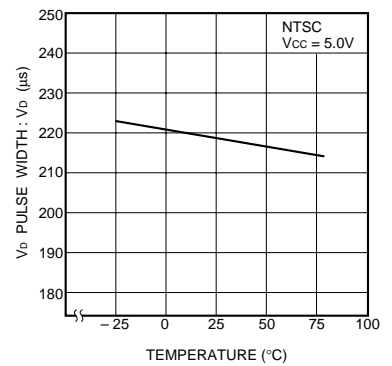


Fig. 16 Vd pulse width vs. temperature

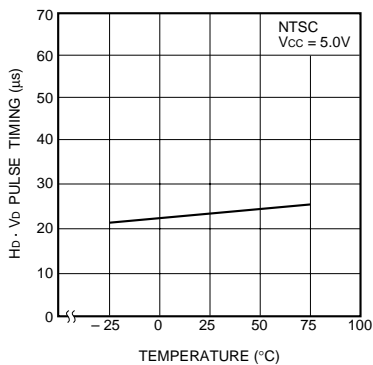


Fig. 17 Hd, Vd phase difference vs. temperature

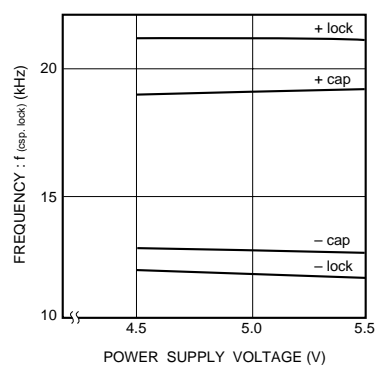


Fig. 18 Capture range / lock range vs. power supply voltage

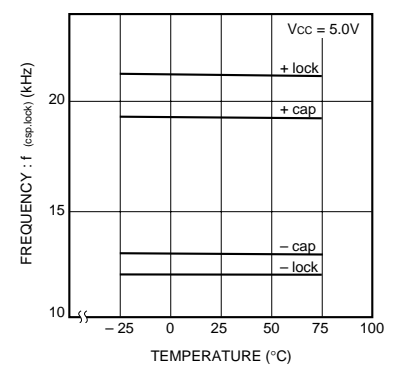


Fig. 19 Capture range charging / lock range vs. temperature

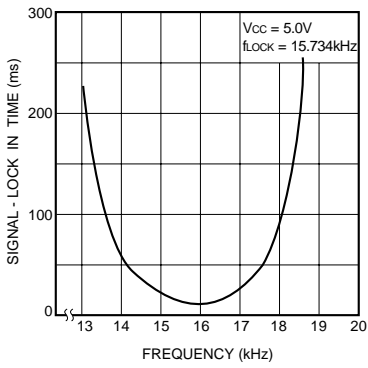


Fig. 20 Time from no signal to pull in

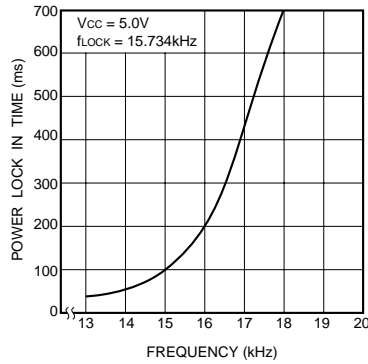
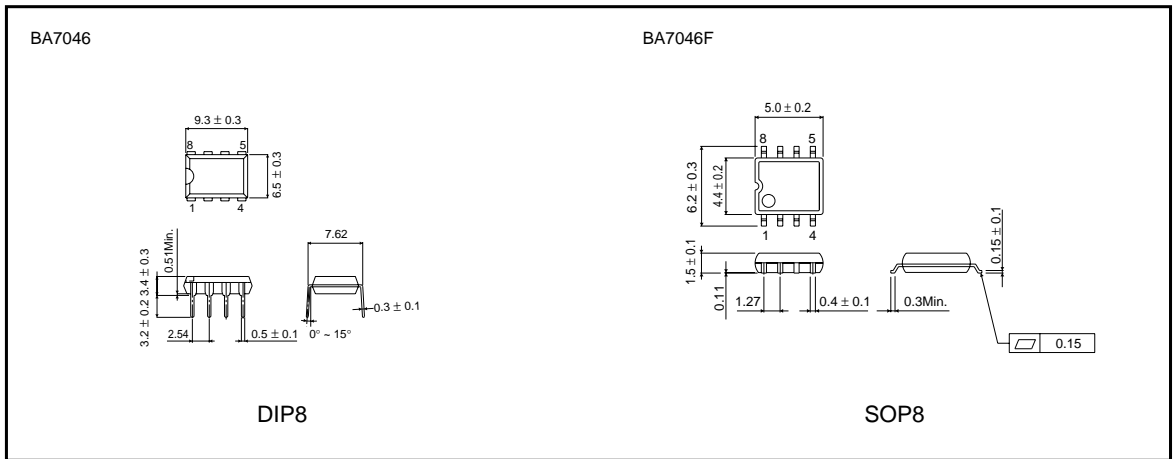


Fig. 21 Time from power on to pull in

●Operation notes

- Make the ground line as thick as possible.
- Keep power supply noise to a minimum.

●External dimensions (Units: mm)



Notes

- No technical content pages of this document may be reproduced in any form or transmitted by any means without prior permission of ROHM CO.,LTD.
- The contents described herein are subject to change without notice. The specifications for the product described in this document are for reference only. Upon actual use, therefore, please request that specifications to be separately delivered.
- Application circuit diagrams and circuit constants contained herein are shown as examples of standard use and operation. Please pay careful attention to the peripheral conditions when designing circuits and deciding upon circuit constants in the set.
- Any data, including, but not limited to application circuit diagrams information, described herein are intended only as illustrations of such devices and not as the specifications for such devices. ROHM CO.,LTD. disclaims any warranty that any use of such devices shall be free from infringement of any third party's intellectual property rights or other proprietary rights, and further, assumes no liability of whatsoever nature in the event of any such infringement, or arising from or connected with or related to the use of such devices.
- Upon the sale of any such devices, other than for buyer's right to use such devices itself, resell or otherwise dispose of the same, no express or implied right or license to practice or commercially exploit any intellectual property rights or other proprietary rights owned or controlled by
- ROHM CO., LTD. is granted to any such buyer.
- Products listed in this document use silicon as a basic material.
Products listed in this document are no antiradiation design.

The products listed in this document are designed to be used with ordinary electronic equipment or devices (such as audio visual equipment, office-automation equipment, communications devices, electrical appliances and electronic toys).

Should you intend to use these products with equipment or devices which require an extremely high level of reliability and the malfunction of which would directly endanger human life (such as medical instruments, transportation equipment, aerospace machinery, nuclear-reactor controllers, fuel controllers and other safety devices), please be sure to consult with our sales representative in advance.

About Export Control Order in Japan

Products described herein are the objects of controlled goods in Annex 1 (Item 16) of Export Trade Control Order in Japan.

In case of export from Japan, please confirm if it applies to "objective" criteria or an "informed" (by MITI clause) on the basis of "catch all controls for Non-Proliferation of Weapons of Mass Destruction.