

Double Chokes

**SMD**

Rated voltage 42 Vac/80 Vdc  
Rated current 200 to 700 mA  
Rated inductance 4,7 to 68 mH



**Construction**

- Current-compensated ring core double choke with ferrite core
- Bifilar winding

**Features**

- Case flame-retardant as per UL 94 V-0
- Suitable for reflow soldering

**Anwendungen**

- Suppression of asymmetrical interference coupled in on lines, whereas data signals up to some MHz can pass unaffectedly
- Use e.g. in telecom applications and RF equipment

**Terminals**

- Tinned

**Marking**

Manufacturer, ordering code,  
date of manufacture (month, year)

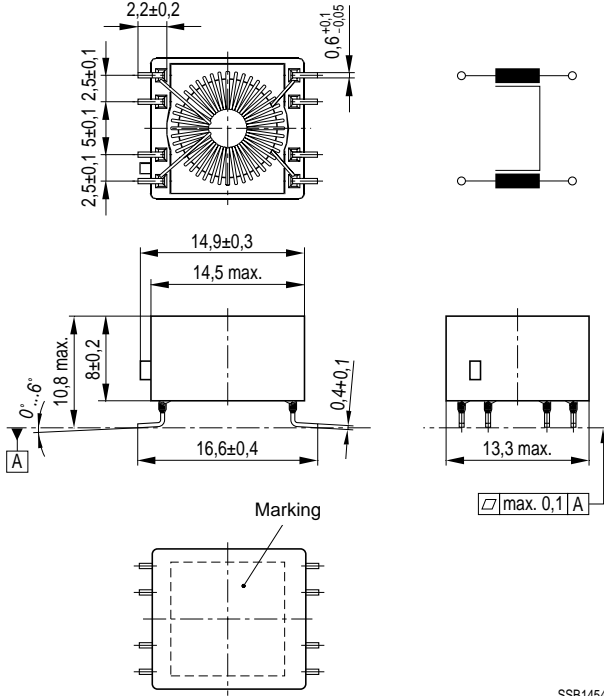
**Delivery mode**

Blister tape, reel packing  
For details on taping, packing and packing units [see page 302](#)

Double Chokes

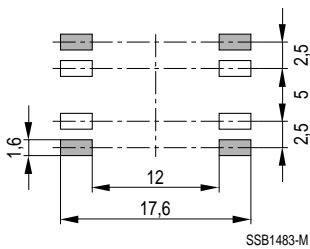


Dimensional drawing



SSB1454-9

Layout recommendation



**Double Chokes**

**General technical data**

Rated voltage $V_R$	42 Vac (50/60 Hz) 80 Vdc
Rated current $I_R$	Referred to 50 Hz and 60 °C ambient temperature
Rated inductance $L_R$	Measured with HP 4275A at 10 kHz and 10 mV (specified per winding)
Inductance tolerance	- 30/+ 50 %
Inductance decrease $\Delta L/L_0$	< 10 % at dc magnetic bias with $I_R$
Stray inductance $L_S$	Measured at 10 kHz and 10 mV
DC resistance $R_{typ}$	Typical values, measured at 20 °C ambient temperature
Solderability	(215 3) °C, (3 0,3) s wetting of soldering area $\geq$ 95 % in accordance with IEC 60068-2-58
Climatic category	40/125/56 (- 40 °C/+ 125 °C/56 days damp heat test) in accordance with IEC 60068-1
Weight	Approx. 2,5 g

**Characteristics and ordering codes**

$L_R$ mH	$L_{S, typ}$ $\mu$ H	$I_R$ mA	$R_{typ}$ $\Omega$	$V_T$ Vdc, 2 s	Ordering code
4,7	0,9	700	0,5	750	B82794-C0475-N465
10	1,2	600	0,7	750	B82794-C0106-N465
28	1,8	400	1,2	750	B82794-C0286-N465
47	2,0	300	2,8	750	B82794-C0476-N465
68	3,0	200	3,3	750	B82794-C0686-N465

Double Chokes

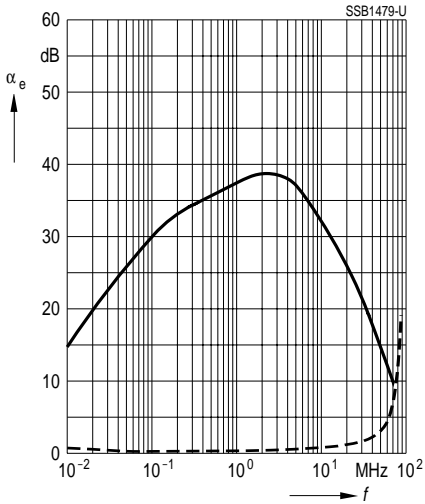


Insertion loss  $\alpha_e$  (typical values at  $Z = 50 \Omega$ )

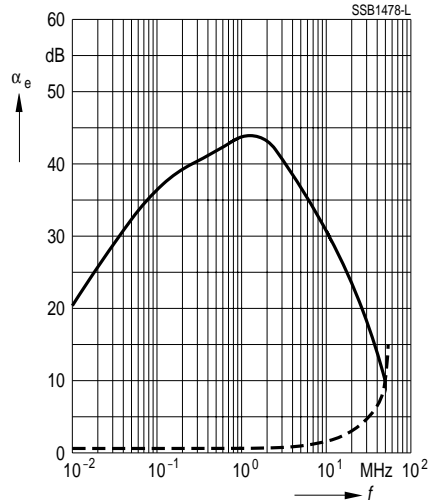
———— asymmetrical, all branches in parallel (common mode)

- - - - - symmetrical (differential mode)

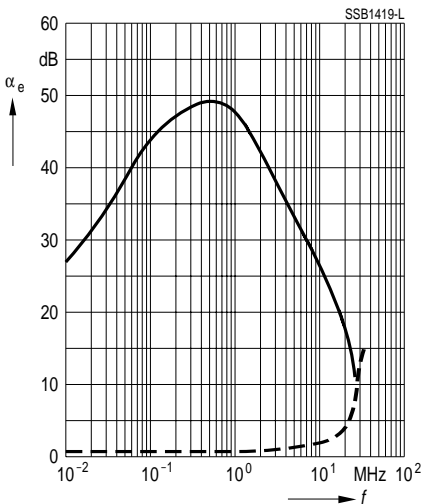
B82794-C0475-N465



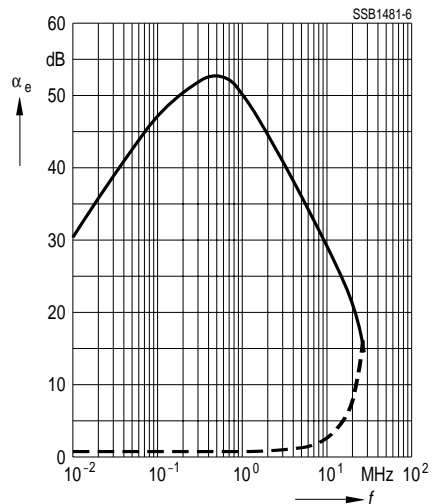
B82794-C0106-N465



B82794-C0286-N465



B82794-C0476-N465



Double Chokes



Insertion loss  $\alpha_e$  (typical values at  $Z = 50 \Omega$ )

———— asymmetrical, all branches in parallel (common mode)

- - - - - symmetrical (differential mode)

B82794-C0686-N465

