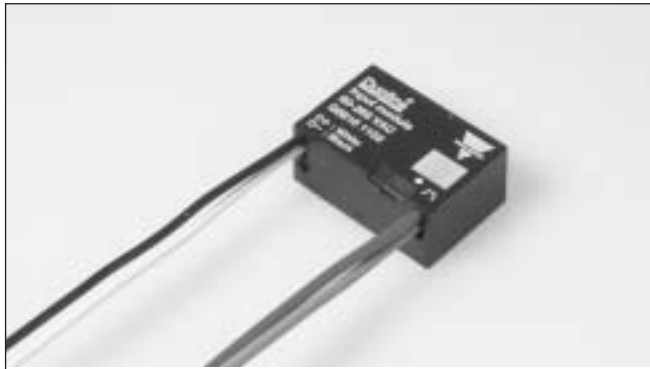


Remote Voltage Input Type G 8810 1102



- 1-channel monostable transmitter
- 1 opto-isolated voltage input 90-265 VAC
- Powered via Dupline®
- Compact housing
- Address coding by GAP 1605

Product Description

G8810 1102 is a 1 channel Dupline® supplied transmitter with 1 voltage input. The module is especially designed for the use in building automation applications where it allows a flexible installation

concept featuring a separate power and signal (control) bus. The compact size of the module makes it possible to fit it in a junction box or directly behind a power outlet.

Ordering Key

G 8810 1102

Type: Dupline® _____
 Housing _____
 Transmitter _____
 No. of channels _____
 Input type _____

Type Selection

Ordering no.
1 channel, voltage input 90-265 VAC

G 8810 1102

Input Specifications

Input	90-265 VAC
Input connection	Red and blue wire 2 x 1.5 mm ² , 150 mm, single core, isolation 250 V
ON	≥ 90 VAC
OFF	≤ 60 VAC
Dielectric voltage Input-Dupline®	≥ 4 kVAC (rms)

General Specifications

Channel coding	By GAP 1605 and special cable: GAP-THP-CAB
No. of channels	1
Environment	
Degree of protection	IP 20
Pollution degree	3 (IEC 60664)
Operating temperature	-20 - +50 °C (-4 - +122°F)
Storage temperature	-50 - +70°C (-58 - +158°F)
Humidity (non condensing)	20 - 80%
Weight	50 g

Supply Specifications

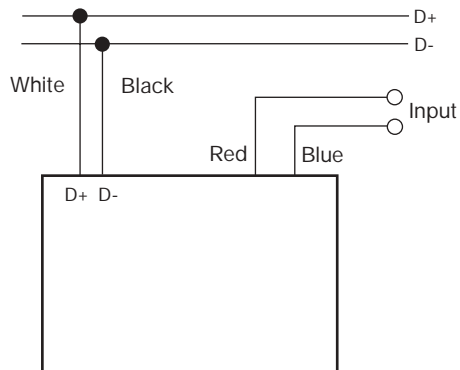
Supplied by Dupline®	
Consumption, unactivated	Typ. 1 mA
Consumption, activated	Typ. 1.4 mA
Dupline connection®	White and black wire
Power-on delay	Typ. 2 s
Power dissipation @ max. input voltage	0.5 W

Mode of Operation

The address may be coded by means of the code programmer GAP 1605, with GAP-THP-CAB cable.

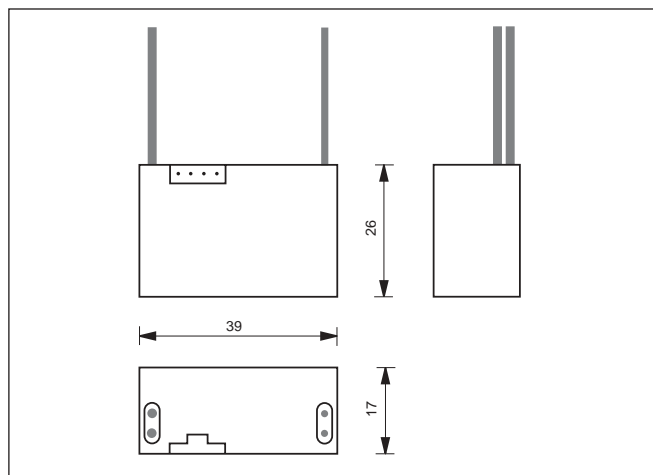
When the voltage on the input wires exceeds 90 VAC, the transmitter is activated and when the voltage drops below 60 VAC the transmission stops.

Wiring Diagram



- Bus:**
 White = Dupline[®] signal, D+
 Black = Dupline[®] negative, D-
- Input:**
 Red = Voltage input
 Blue = Voltage input
- Bus wires:**
 2 x 0,75 mm²,
 250 V isolation, single core, 150 mm
- Input wires:**
 2 x 1,5 mm²,
 250 V isolation, single core, 150 mm

Dimensions



Accessories

Programming cable
 to GAP 1605

GAP-TPH-CAB