

Proximity Sensors Inductive Nickel-Plated Brass Housing Types IA, M12, M18 and M30

5 years warranty

CARLO GAVAZZI



- Sensing distance: 2 to 15 mm
- Flush and non-flush types
- Long and short body
- Rated operational voltage: 10 - 40 VDC
- Output: DC 200 mA, NPN or PNP
- Make and break switching function
- LED-indication
- Protection: reverse polarity, short circuit, transients
- Cable and plug versions

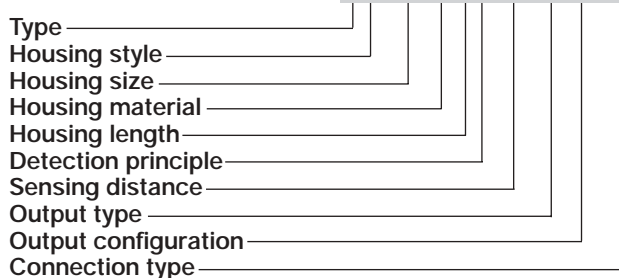
Product Description

A family of inexpensive general purpose inductive proximity switches in industrial standard nickel-plated brass housings. M12, M18 and M30 types. They are able to handle simple applications

where a basic sensor provides adequate sensing performance. Output are open collector NPN or PNP transistors. Available with cable and M12 plug.

Ordering Key

IA12ASF02NOM1



Type Selection

Housing diameter	Connec- tion	Body style	Rated operating distance S_n	Ordering no. NPN Make switching	Ordering no. PNP Make switching	Ordering no. NPN Break switching	Ordering no. PNP Break switching
M12	Cable	Short	2 mm ¹⁾	IA 12 DSF 02 NO	IA 12 DSF 02 PO		
M12	Plug	Short	2 mm ¹⁾	IA 12 ASF 02 NOM1	IA 12 ASF 02 POM1		
M12	Cable	Long	2 mm ¹⁾	IA 12 DLF 02 NO	IA 12 DLF 02 PO		
M12	Plug	Long	2 mm ¹⁾	IA 12 ALF 02 NOM1	IA 12 ALF 02 POM1		
M12	Cable	Short	4 mm ²⁾	IA 12 DSN 04 NO	IA 12 DSN 04 PO	IA 12 DSN 04 NC	IA 12 DSN 04 PC
M12	Plug	Short	4 mm ²⁾	IA 12 ASN 04 NOM1	IA 12 ASN 04 POM1	IA 12 ASN 04 NCM1	IA 12 ASN 04 PCM1
M18	Cable	Short	5 mm ¹⁾	IA 18 DSF 05 NO	IA 18 DSF 05 PO		
M18	Plug	Short	5 mm ¹⁾	IA 18 ASF 05 NOM1	IA 18 ASF 05 POM1		
M18	Cable	Long	5 mm ¹⁾		IA 18 DLF 05 PO		IA 18 DLF 05 PC
M18	Plug	Long	5 mm ¹⁾		IA 18 ALF 05 POM1		IA 18 ALF 05 PCM1
M18	Cable	Short	8 mm ²⁾	IA 18 DSN 08 NO	IA 18 DSN 08 PO	IA 18 DSN 08 NC	IA 18 DSN 08 PC
M18	Plug	Short	8 mm ²⁾	IA 18 ASN 08 NOM1	IA 18 ASN 08 POM1	IA 18 ASN 08 NCM1	IA 18 ASN 08 PCM1
M30	Cable	Short	10 mm ¹⁾	IA 30 DSF 10 NO	IA 30 DSF 10 PO		
M30	Plug	Short	10 mm ¹⁾	IA 30 ASF 10 NOM1	IA 30 ASF 10 POM1		
M30	Cable	Long	10 mm ¹⁾		IA 30 DLF 10 PO		IA 30 DLF 10 PC
M30	Plug	Long	10 mm ¹⁾		IA 30 ALF 10 POM1		
M30	Cable	Short	15 mm ²⁾	IA 30 DSN 15 NO	IA 30 DSN 15 PO		
M30	Plug	Short	15 mm ²⁾	IA 30 ASN 15 NOM1	IA 30 ASN 15 POM1		

¹⁾ For flush mounting in metal

²⁾ For non-flush mounting in metal



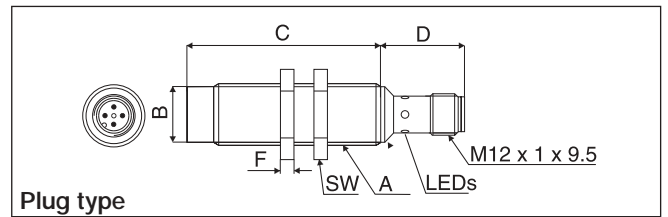
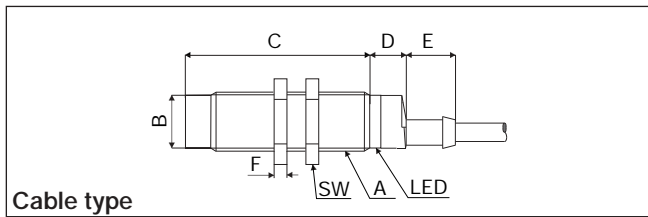
Specifications

Rated operational voltage (U _B)	10 to 40 VDC (ripple incl.)	Ambient temperature	
Ripple	≤ 10%	Operating	-25° to +70°C (-13° to +158°F)
Output current (I _o)	≤ 200 mA @ 50°C (≤ 150 mA @ 50-70°C)	Storage	-30° to +80°C (-22° to +176°F)
No load supply current (I _o)	IA 12 ≤ 10 mA IA 18 ≤ 10 mA IA 30 ≤ 10 mA	Housing material	
Voltage drop (U _d)	Max. 2.5 VDC @ 200 mA	Body	Nickel-plated brass
Protection	Reverse polarity, short-circuit, transients	Front	Grey thermoplastic polyester
Transient voltage	1 kV/0.5 J	Backpart	
Power ON delay (t _v)	50 ms	Plug	NPB
Operating frequency (f)	IA12 ..F 02 ≤ 2000 Hz IA12 DSN 04 ≤ 2000 Hz IA18 ..F 05 ≤ 1500 Hz IA18 DSN 08 ≤ 1500 Hz IA30 ..F 10 ≤ 700 Hz IA30 DSN 15 ≤ 700 Hz	Cable	PBTP (black polyester)
Indication for output ON	LED, yellow	Nuts	NPB
Assured operating sensing distance (S _a)	0 ≤ S _a ≤ 0.81 x S _n	Connection	
Effective operating distance (S _r)	0.9 x S _n ≤ S _r ≤ 1.1 x S _n	Cable	2 m, 3 x 0.3 mm ² , grey PVC, oil proof M12 x 1
Usable operating distance (S _u)	0.9 x S _r ≤ S _u ≤ 1.1 x S _r	Plug	CONH1A/CONH1O series
Repeat accuracy (R)	≤ 5%	Cables for plug (-1)	
Differential travel (H) (Hysteresis)	1 to 15% of sensing dist.	Degree of protection	IP 67
		Weight (cable/nuts included)	IA 12 .S. 100 g IA 12 .L. 105 g IA 18 .S. 120 g IA 18 .L. 130 g IA 30 .S. 185 g IA 30 .L. 195 g
		Tightening torque	IA 12 7.0 Nm (x) 15.0 Nm (y) IA 18 27.5 Nm IA 30 50.0 Nm
		Approvals	UL, CSA
		CE-marking	Yes

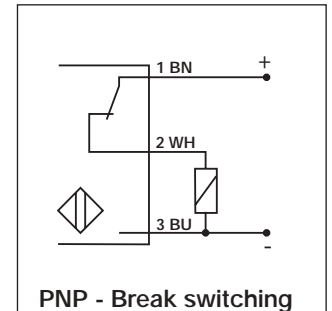
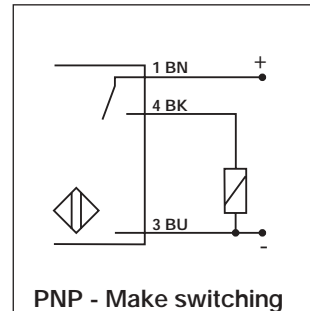
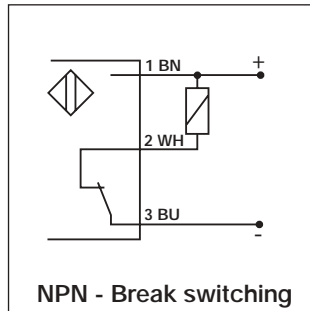
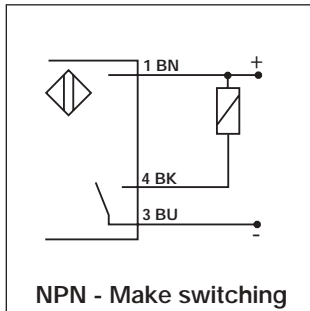
Dimensions

Type	A	B Ø mm	C mm	D mm	E mm	F mm	SW mm
IA 12 DSF 02 .O	M12 x 1 x 30	10.7	30	11	5.0	4	17
IA 12 ASF 02 .O M1	M12 x 1 x 30	10.7	30	25.2		4	17
IA 12 DLF 02 .O	M12 x 1 x 50	10.7	50	11	5.0	4	17
IA 12 ALF 02 .O M1	M12 x 1 x 50	10.7	50	25.2		4	17
IA 12 DSN 04 .O	M12 x 1 x 30	10.7	34	11	5.0	4	17
IA 12 ASN 04 .O M1	M12 x 1 x 30	10.7	34	25.2		4	17
IA 18 DSF 05 .O	M18 x 1 x 30	16.7	30	11.6	15.4	4	24
IA 18 ASF 05 .O M1	M18 x 1 x 30	16.7	30	25.0		4	24
IA 18 DLF 05 ..	M18 x 1 x 50	16.7	50	11.6	15.4	4	24
IA 18 ALF 05 .O M1	M18 x 1 x 50	16.7	50	25.0		4	24
IA 18 DSN 08 .O	M18 x 1 x 30	16.7	38	11.6	15.4	4	24
IA 18 ASN 08 .O M1	M18 x 1 x 30	16.7	38	25.0		4	24
IA 30 DSF 10 .O	M30 x 1.5 x 30	28	30	13.6	15.4	5	36
IA 30 ASF 10 .O M1	M30 x 1.5 x 30	28	30	25.0		5	36
IA 30 DLF 10 ..	M30 x 1.5 x 50	28	50	13.6	15.4	5	36
IA 30 ALF 10 .O M1	M30 x 1.5 x 50	28	50	25.0		5	36
IA 30 DSN 15 .O	M30 x 1.5 x 30	28	42	13.6	15.4	5	36
IA 30 ASN 15 .O M1	M30 x 1.5 x 30	28	42	25.0		5	36

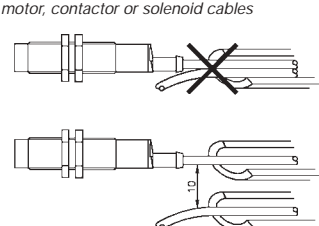
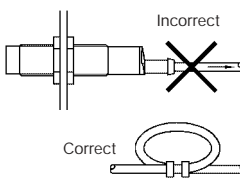
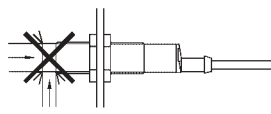
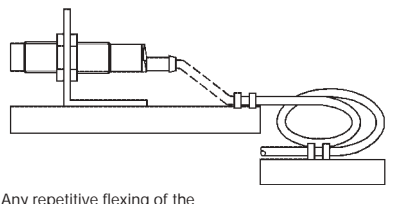
Dimensions (cont.)



Wiring Diagrams



Installation Hints

<p>To avoid interference from inductive voltage/current peaks, separate the prox. switch power cables from any other power cables, e.g. motor, contactor or solenoid cables</p> 	<p>Relief of cable strain</p>  <p>The cable should not be pulled</p>	<p>Protection of the sensing face</p>  <p>A proximity switch should not serve as mechanical stop</p>	<p>Switch mounted on mobile carrier</p>  <p>Any repetitive flexing of the cable should be avoided</p>
---	---	--	--

Delivery Contents

- Inductive proximity switch IA..
- 2 nuts NPB
- Packaging: plastic bag

Accessories

- M12 connector**
- | | |
|-----------|-----------------------|
| CONH10-A2 | (90°, 2 m cable) |
| CONH10-A5 | (90°, 5 m cable) |
| CONH10-S2 | (straight, 2 m cable) |
| CONH10-S5 | (straight, 5 m cable) |



Detection Diagrams

