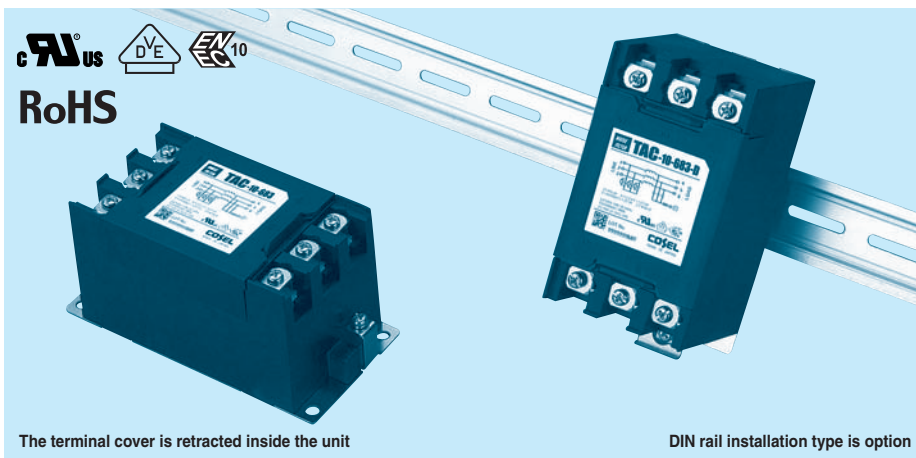


TAC series

TAC -10 -683 -□

① ② ③ ④



The terminal cover is retracted inside the unit

DIN rail installation type is option

- ① Model Name
- ② Rated Current
- ③ Line to ground capacitor code: See table 1.1.

table 1.1 Line to ground capacitor code

| Code | Leakage Current (Input 250/500V 60Hz) | Line to ground capacitor (nominal value) |
|------|---------------------------------------|--|
| 683 | 2.5mA/5.0mA max | 68000pF |

- ④ Options
- D: DIN rail installation type

* The dimensions change when the option is set. Refer to External view.

Features of TAC series

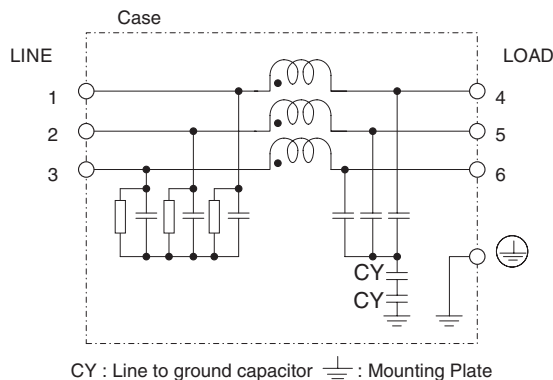
High-attenuation type of common mode noise from 150kHz to 1MHz

- Three Phase 500 VAC
- Quick and easy push-down terminal
- Just connect the wires, push down and tighten the screws with a screwdriver

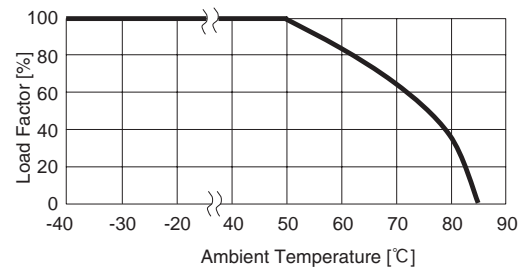
Specifications

| No. | Items | TAC-04-683 | TAC-06-683 | TAC-10-683 | TAC-20-683 | TAC-30-683 |
|-----|--|---|------------|------------|------------|------------|
| 1 | Rated Voltage[V] | AC Three Phase 500 | | | | |
| 2 | Rated Current[A] | 4 | 6 | 10 | 20 | 30 |
| 3 | Test Voltage (Terminal-Mounting Plate) | 2,000 VAC (Cutoff Current = 100mA), 1minute at room temperature and humidity | | | | |
| 4 | Isolation Resistance (Terminal-Mounting Plate) | 500 VDC 100MΩ minute at room temperature and humidity | | | | |
| 5 | Leakage current 250/500V 60Hz | 2.5mA/5.0mA max | | | | |
| 6 | Voltage drop | 1.5V max | | 1.0V max | | |
| 7 | Safety agency approval temperatures | -25 to +85°C (Refer to Derating Curve) | | | | |
| 8 | Operating temperature | -40 to +85°C (Refer to Derating Curve) | | | | |
| 9 | Operating humidity | 20 to 95%RH (Non condensing) | | | | |
| 10 | Storage temperature/humidity | -40 to +85°C/20 to 95%RH (Non condensing) | | | | |
| 11 | Vibration | 10 to 55Hz, 19.6m/s ² (2G), 3min. Period, 1hour each X, Y and Z axis | | | | |
| 12 | Impact | 196.1m/s ² (20G), 11ms Once each X, Y and Z axis | | | | |
| 13 | Safety agency approvals | UL1283, CSA C22.2 No.8 (C-UL) , DIN EN133200 VDE0565 Teil3-1, ENEC | | | | |
| 14 | Case size (without projection) /Mass | 63 X 64 X 128 mm (W X H X D) /620g max (Option : -D refer to external view) | | | | |

Circuit Diagram



Derating Curve

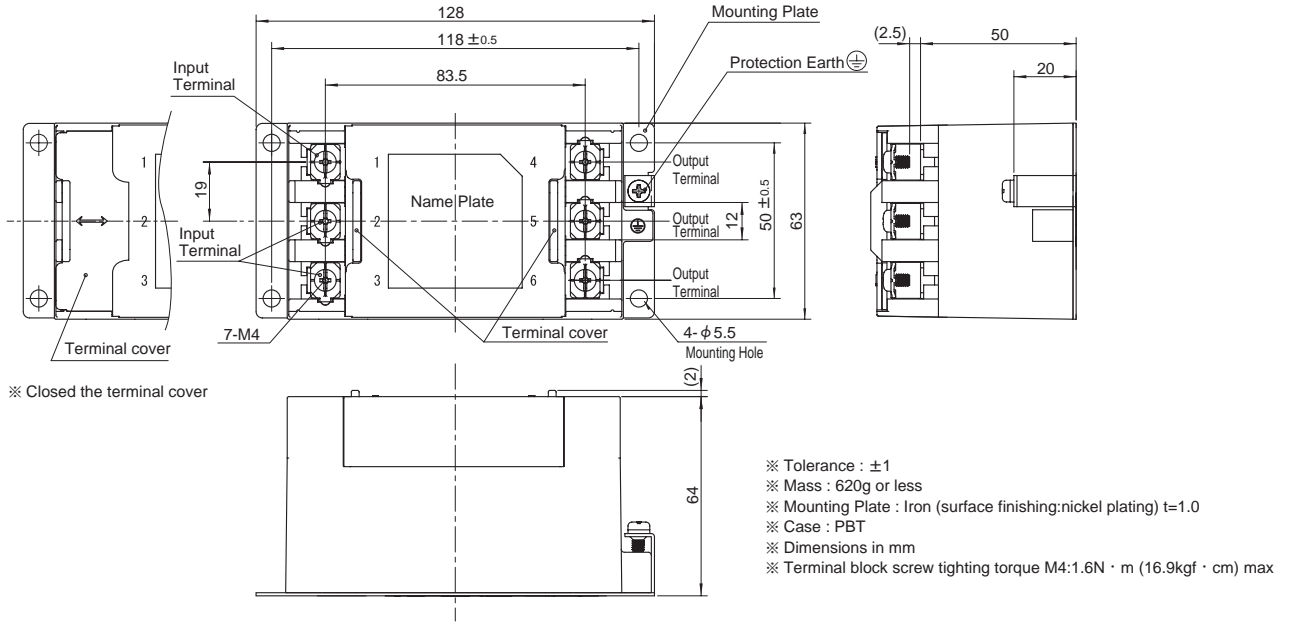


External view

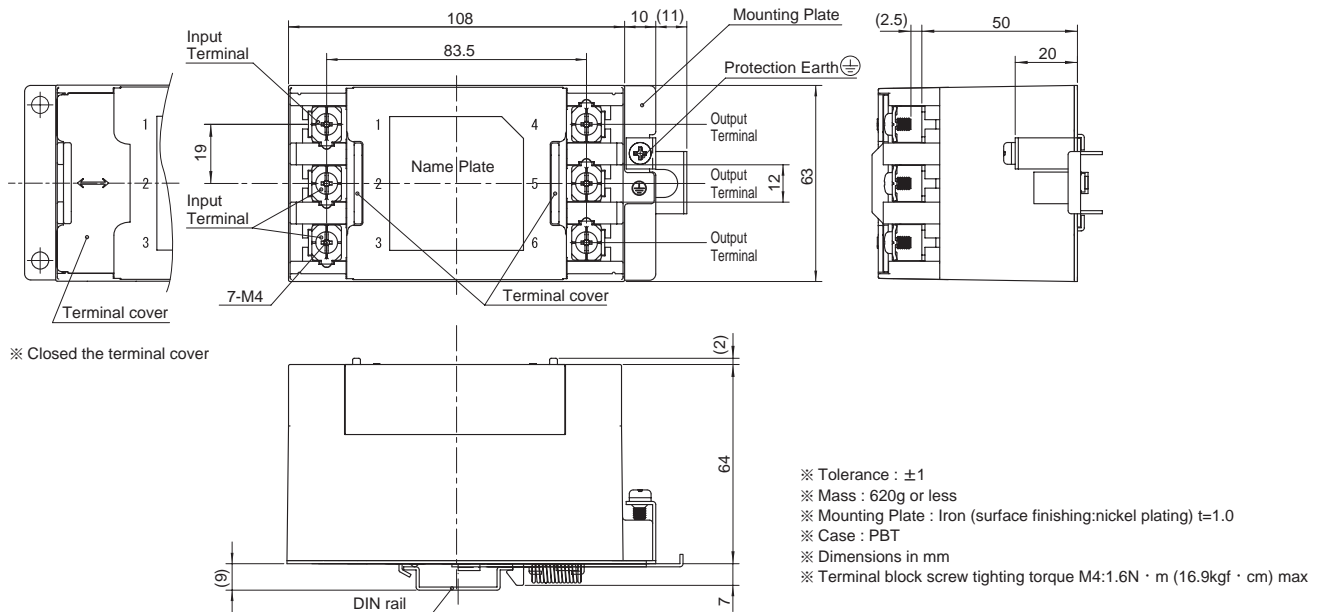
This product is shipped in the following condition, because it is equipped with push-down terminals.

- ① The terminal cover is retracted inside the unit.
- ② The screws for connecting the terminals are held in the up right position.

Standard Type



DIN rail installation Type



■Note when installing the noise filter on a DIN rail.

When the noise filter is grounded through the DIN rail, the proper noise attenuation may not be achieved.

Be sure to connect the protection earth (PE) of the noise filter body to the earth.

