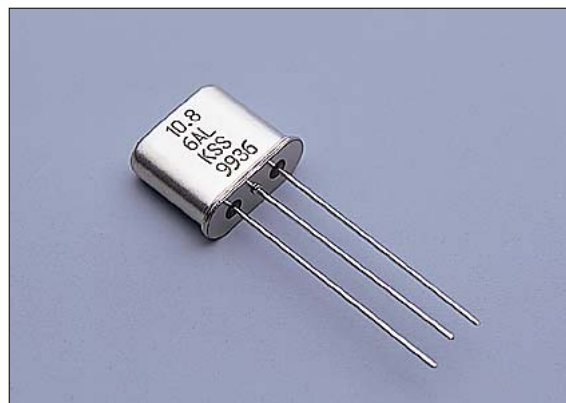


49/U Series

Features

- Compact and light weight.
- Excellent vibration resistance and shock resistance.
- Stable temperature characteristics.

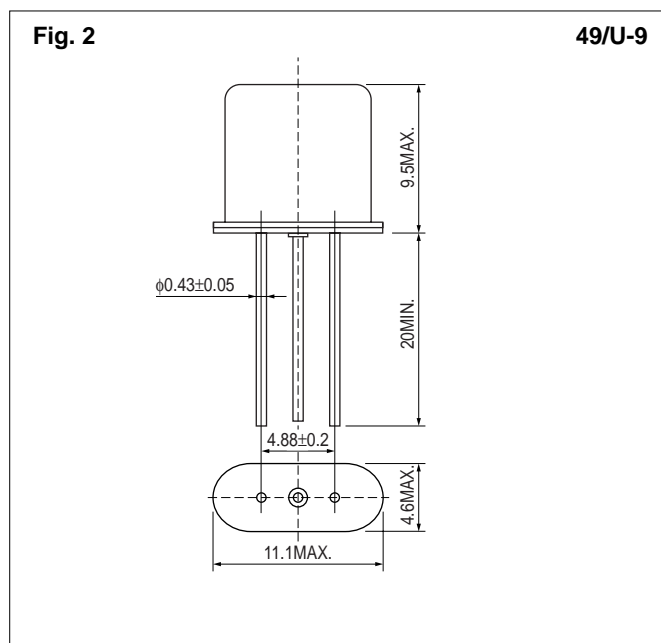
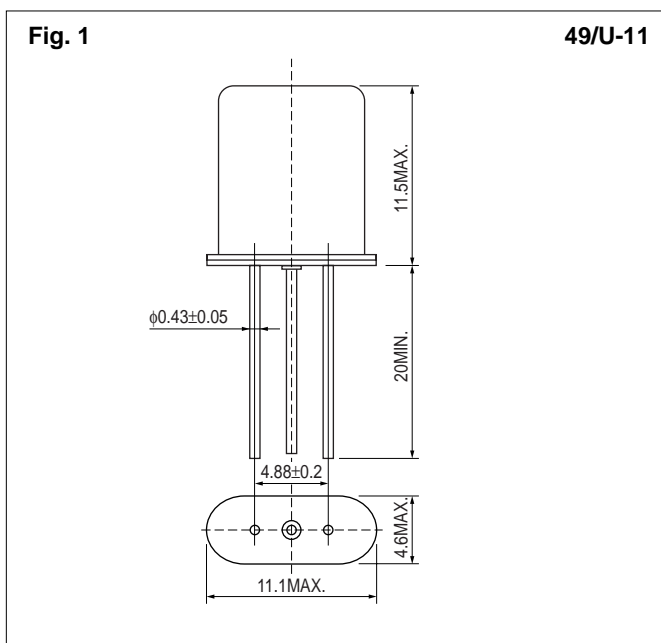


Specifications

Original Size

Type	Number of inner units	Pass Bandwidth		Ripple	Insertion Loss	Stop Bandwidth		Terminating Impedance	Operating Temp. Range	Outline
		dB	kHz	dB MAX	dB MAX	dB	kHz MAX	Ω //pF	$^{\circ}\text{C}$	
MXF10.7-6A	1	3	$\pm(2.5\sim 3.5)$	1	1.5	30	55	1.5k/3	-40~+85	Fig.1
MXF10.7-6AL	1	3	$\pm(2.5\sim 3.5)$	1	3	30	55	1.5k/3	-40~+85	Fig.2
MXF10.7-7.5A	1	3	± 3.75 MIN	0.5	1.5	20	± 18	1.8k/5	-40~+85	Fig.1
MXF10.7-7.5AL	1	3	± 3.75 MIN	0.5	3	20	± 18	1.8k/5	-40~+85	Fig.2
MXF10.8-6A	1	3	$\pm(2.5\sim 3.5)$	1	1.5	30	55	1.5k/3	-40~+85	Fig.1
MXF10.8-6AL	1	3	$\pm(2.5\sim 3.5)$	1	3	30	55	1.5k/3	-40~+85	Fig.2
MXF10.8-16AL	1	3	$\pm(7.5\sim 8.5)$	1	3	20	55	2.2k/2.5	-40~+85	Fig.2

Outline



Dimensions(mm)